



US00D745253S

(12) **United States Design Patent**  
**Graham et al.**

(10) **Patent No.:** **US D745,253 S**

(45) **Date of Patent:** **\*\* Dec. 15, 2015**

- (54) **GARMENT WITH BREAK-AWAY PANELS**
- (71) Applicants: **Daniel L. Graham**, Benton, AR (US);  
**Jaclyn A. Andrada**, Benton, AR (US)
- (72) Inventors: **Daniel L. Graham**, Benton, AR (US);  
**Jaclyn A. Andrada**, Benton, AR (US)
- (\*\*) Term: **14 Years**
- (21) Appl. No.: **29/466,769**
- (22) Filed: **Sep. 11, 2013**
- (51) **LOC (10) Cl.** ..... **02-02**
- (52) **U.S. Cl.**  
USPC ..... **D2/745**
- (58) **Field of Classification Search**  
USPC ..... D2/700, 714, 731, 733, 745; 2/69, 69.5,  
2/75, 78.2, 80, 83, 111  
CPC ..... A41B 13/00; A41B 13/005; A41B 13/08;  
A41D 11/00; A41D 13/1272; A41D 2300/32;  
A41D 2300/324  
See application file for complete search history.

2005/0034204 A1\* 2/2005 Kassai et al. .... 2/69  
 2012/0102616 A1 5/2012 Ott et al.  
 2012/0266349 A1 10/2012 Rolando

FOREIGN PATENT DOCUMENTS

EP 1961318 A2 8/2008

OTHER PUBLICATIONS

“Daniel Louis Graham and Jacklyn A. Andrada | Garment with Break-Away Panels,” video posted on-line to Youtube on Dec. 20, 2013. Retrieved from the internet on Dec. 24, 2014. URL: <https://www.youtube.com/watch?v=OjoFkUiCOxI>. (1 page).\*

“Garment with Break-Away Panels,” posted on-line to forsalebyinventor.com, publication date unknown. Retrieved from the Internet on Dec. 24, 2014. URL: <http://forsalebyinventor.com/products/portfolio-item/garment-with-break-away-panels/>. (5 pages).\*

\* cited by examiner

*Primary Examiner* — Karen E. Eldridge Powers  
*Assistant Examiner* — Jasmine Mlinarcik  
 (74) *Attorney, Agent, or Firm* — Robert C. Montgomery;  
 Montgomery Patent & Design LP.

(57) **CLAIM**

The ornamental design for a garment with break-away panels, as shown and described.

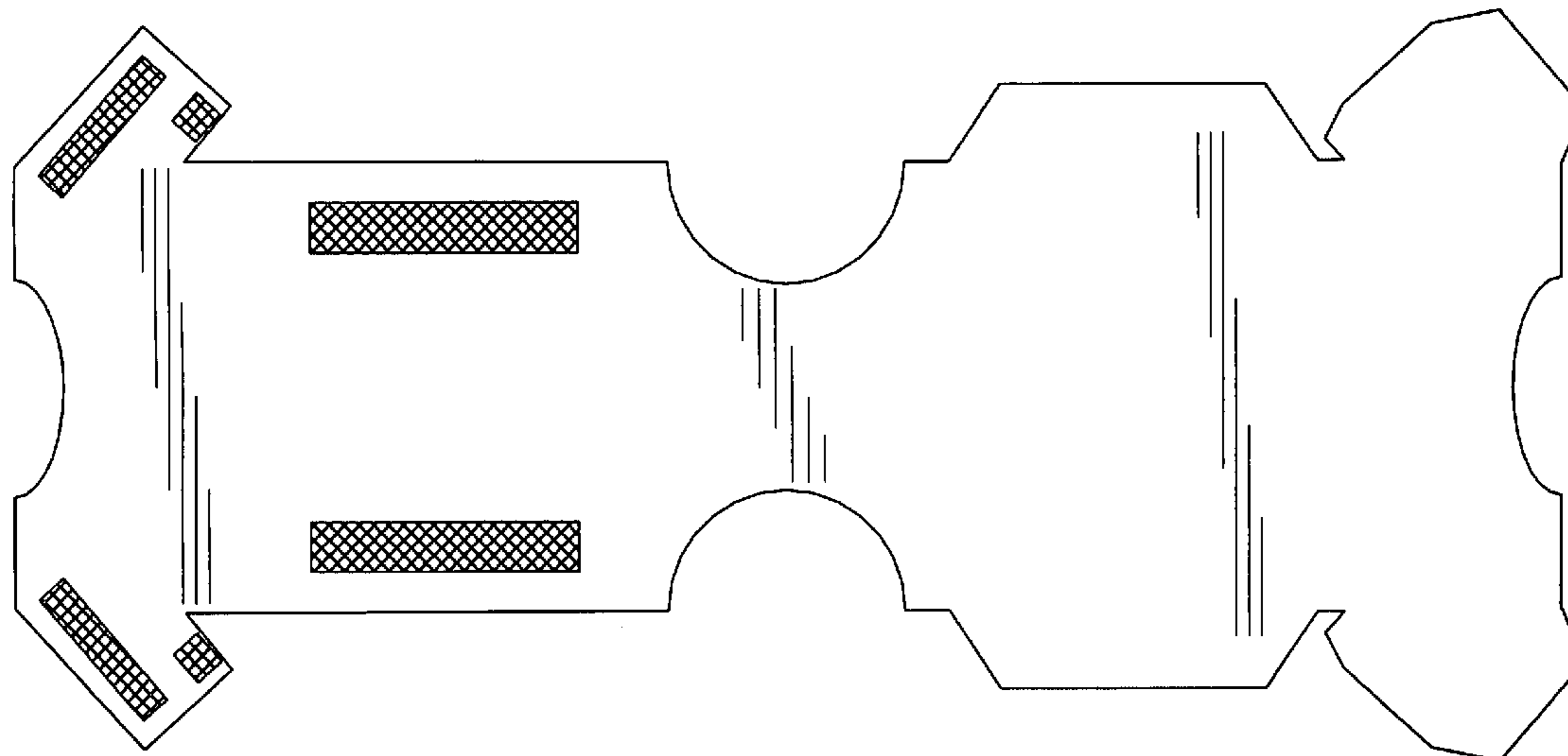
**DESCRIPTION**

FIG. 1 is an isometric view of a garment with break-away panels;  
 FIG. 2 is a front elevation view thereof;  
 FIG. 3 is a rear elevation view thereof;  
 FIG. 4 is a left-hand side elevation view thereof;  
 FIG. 5 is a right-hand side elevation view thereof;  
 FIG. 6 is a top plan view thereof; and,  
 FIG. 7 is a bottom plan view thereof.

**1 Claim, 5 Drawing Sheets**

(56) **References Cited**  
U.S. PATENT DOCUMENTS

348,181 A *	8/1886	Agnew	604/394
2,652,057 A *	9/1953	Siegel et al.	604/394
RE23,853 E *	7/1954	Siegel et al.	604/394
D215,642 S *	10/1969	Lofgren	D24/126
5,048,122 A *	9/1991	Priour	2/69
5,241,708 A *	9/1993	Rodarmel	2/79
5,652,961 A	8/1997	Knight-Yurt	
6,240,561 B1 *	6/2001	Mc Ginnis	2/69.5
8,127,370 B2	3/2012	Nunn	
8,327,464 B2	12/2012	Jaros	
8,341,772 B1	1/2013	Flores	
D710,571 S *	8/2014	James et al.	D2/745
2004/0153045 A1	8/2004	Baskerville	



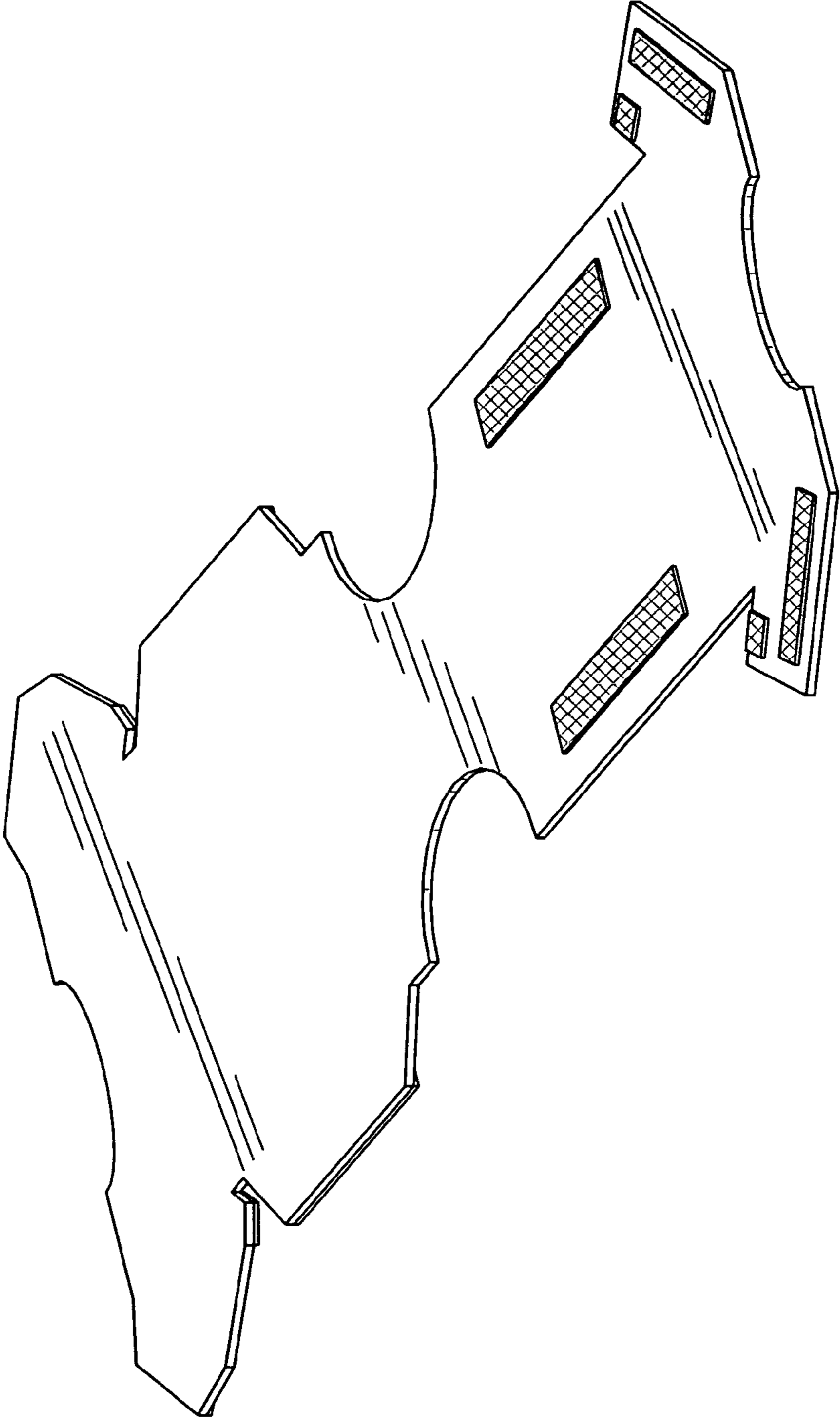


FIG. 1



FIG. 2

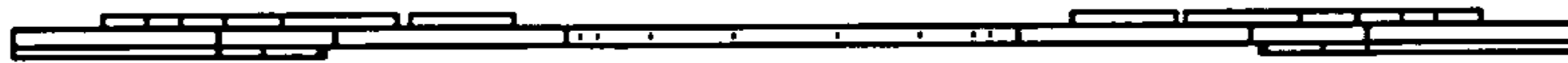


FIG. 3



FIG. 4



FIG. 5

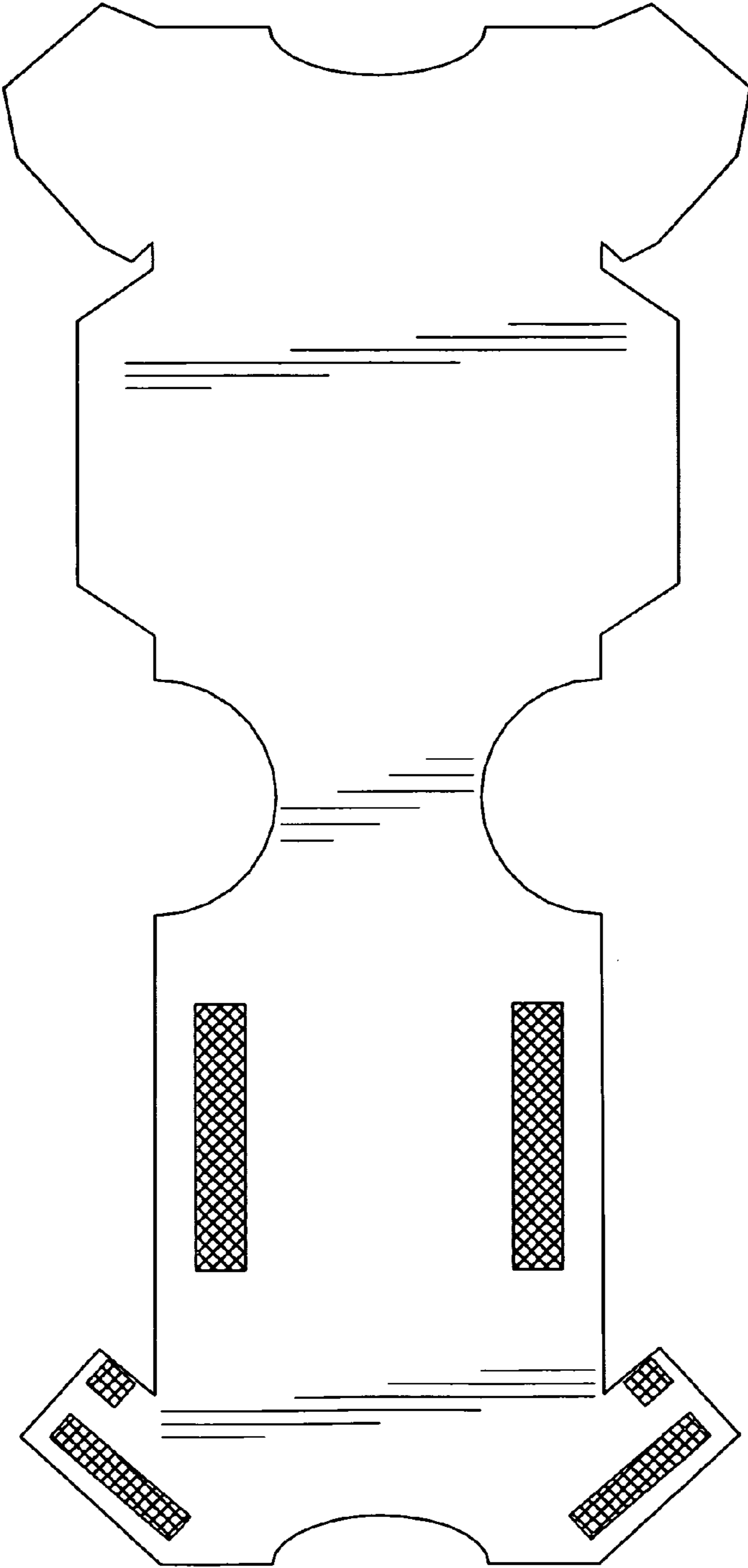


FIG. 6

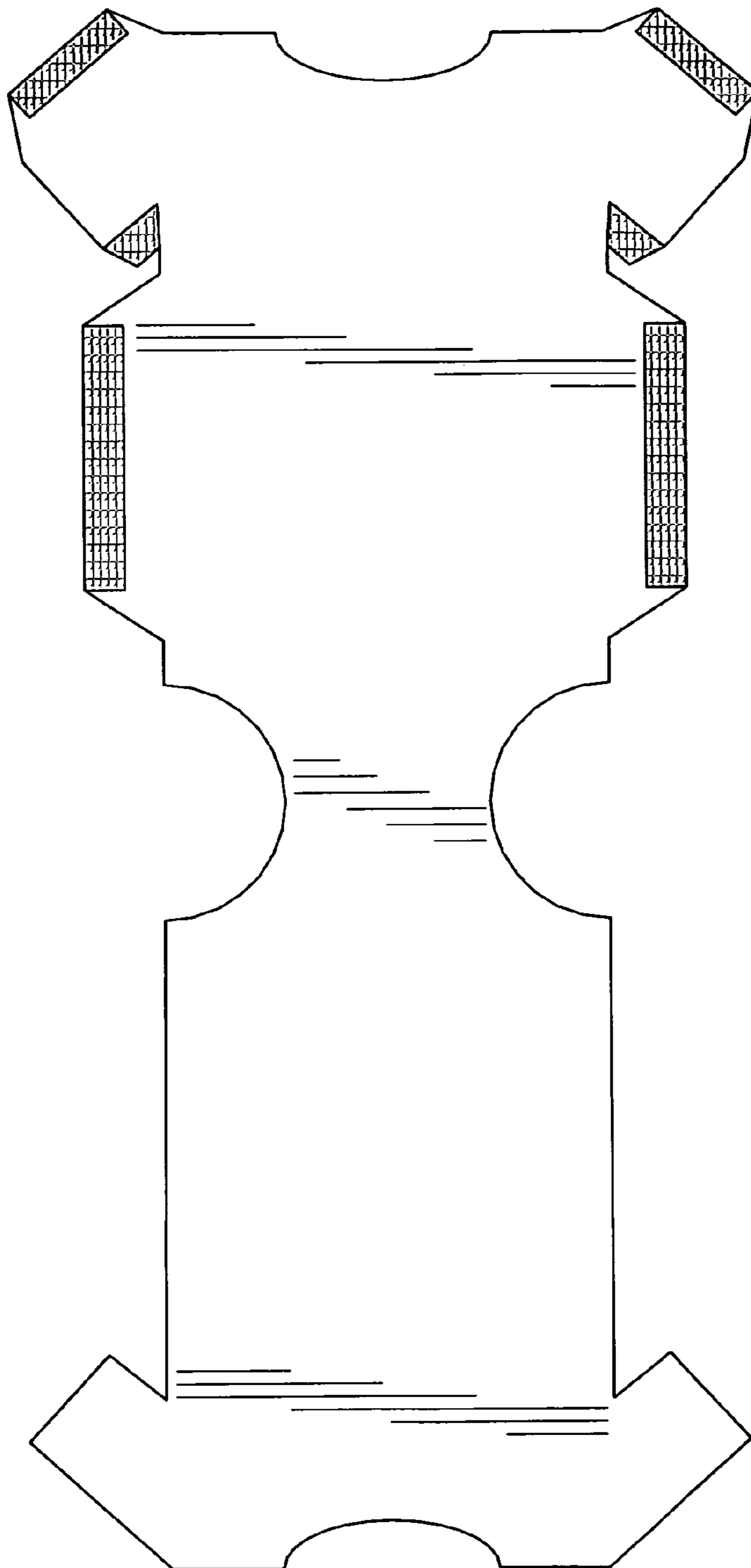


FIG. 7