



US00D745252S

(12) **United States Design Patent**  
**Bednarz**

(10) **Patent No.:** **US D745,252 S**  
(45) **Date of Patent:** **\*\* \*Dec. 15, 2015**

(54) **PANTS WITH LEFT SIDE POCKET FOR CELL PHONE**

FOREIGN PATENT DOCUMENTS

JP 2007169810 A \* 7/2007

(71) Applicant: **Jason B. Bednarz**, Horace, ND (US)

OTHER PUBLICATIONS

(72) Inventor: **Jason B. Bednarz**, Horace, ND (US)

USA Today. <http://www.usatoday.com/story/tech/2014/09/27/iphone-pants-pockets/16227889/>. Sep. 2014. "iPants".\*

(\* ) Notice: This patent is subject to a terminal disclaimer.

TreoCentral. <http://www.treocentral.com/content/Stories/58-1.htm>. Jan. 2002. "Dockers Mobile Pants".\*

(\*\*) Term: **14 Years**

\* cited by examiner

(21) Appl. No.: **29/486,948**

*Primary Examiner* — Rashida Johnson

(22) Filed: **Apr. 4, 2014**

(74) *Attorney, Agent, or Firm* — Dave Alan Lingbeck

(51) **LOC (10) Cl.** ..... **02-02**

(57) **CLAIM**

(52) **U.S. Cl.**  
USPC ..... **D2/742**

The ornamental design for pants with left side pocket for cell phone, as shown and described.

(58) **Field of Classification Search**  
USPC ..... D2/731, 735, 738, 742; 2/227, 228, 238  
See application file for complete search history.

**DESCRIPTION**

(56) **References Cited**

U.S. PATENT DOCUMENTS

2,977,602	A *	4/1961	Cooper	2/247
5,956,775	A *	9/1999	Ezra	2/227
8,707,469	B1 *	4/2014	Moghaddas	2/247
D705,519	S *	5/2014	Meyer	D2/742
2007/0136930	A1 *	6/2007	Dipietro	2/227
2012/0185999	A1 *	7/2012	Raviv	2/247
2013/0125287	A1 *	5/2013	Boyle	2/70
2013/0254969	A1 *	10/2013	Getzen et al.	2/108
2014/0150166	A1 *	6/2014	Hall et al.	2/227
2014/0165265	A1 *	6/2014	Tulin et al.	2/234

FIG. 1 is a front elevation view of pants with left side pocket for cell phone showing our new design.

FIG. 2 is a back elevation view of the pants with left side pocket for cell phone.

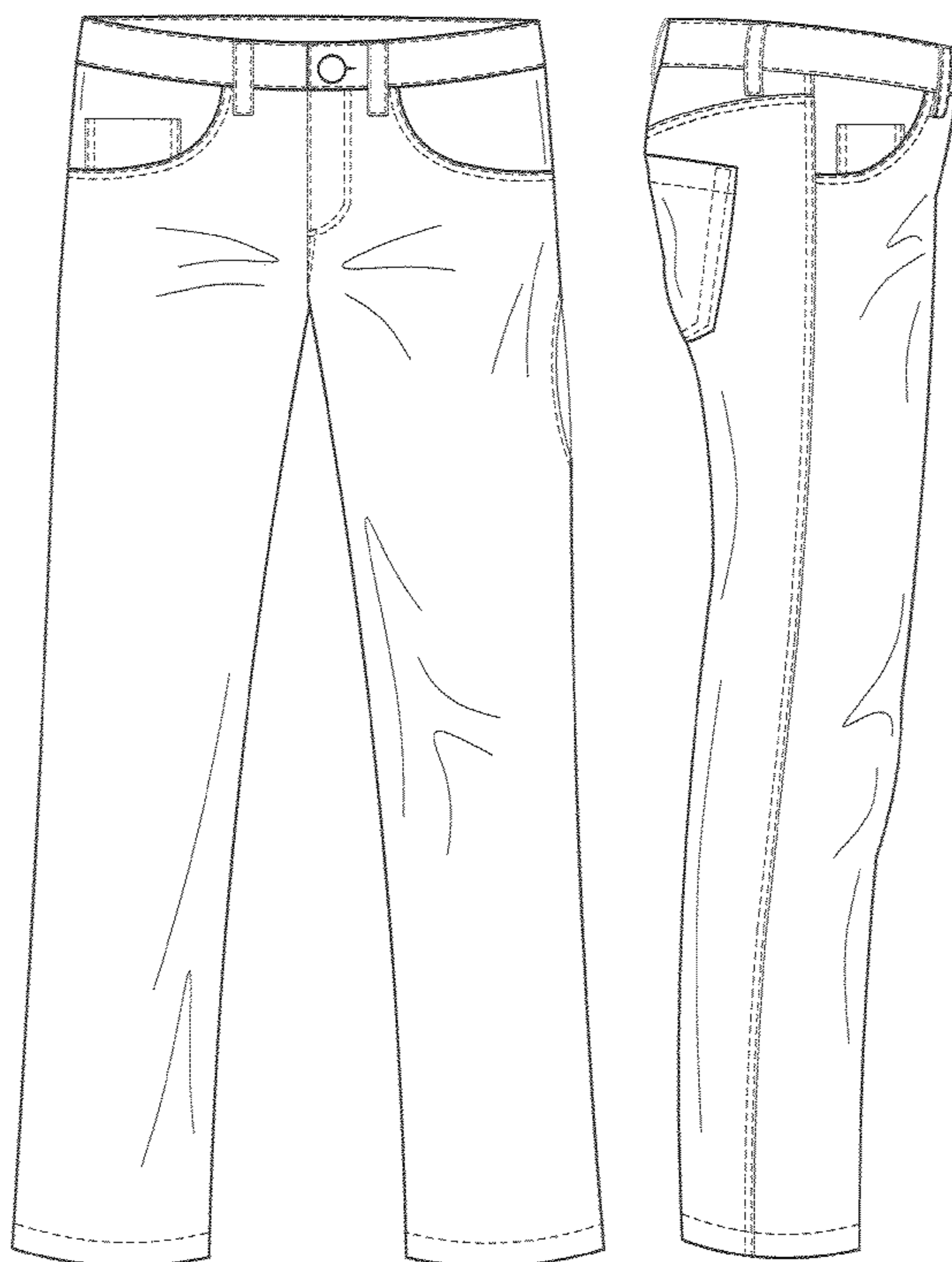
FIG. 3 is a right side elevation view of the pants with left side pocket for cell phone.

FIG. 4 is a left side elevation view of the pants with left side pocket for cell phone; and,

FIG. 5 is a bottom plan view of the pants with left side pocket for cell phone.

The broken lines shown on the surface of the pants in FIGS. 1-5 represent stitching.

**1 Claim, 5 Drawing Sheets**



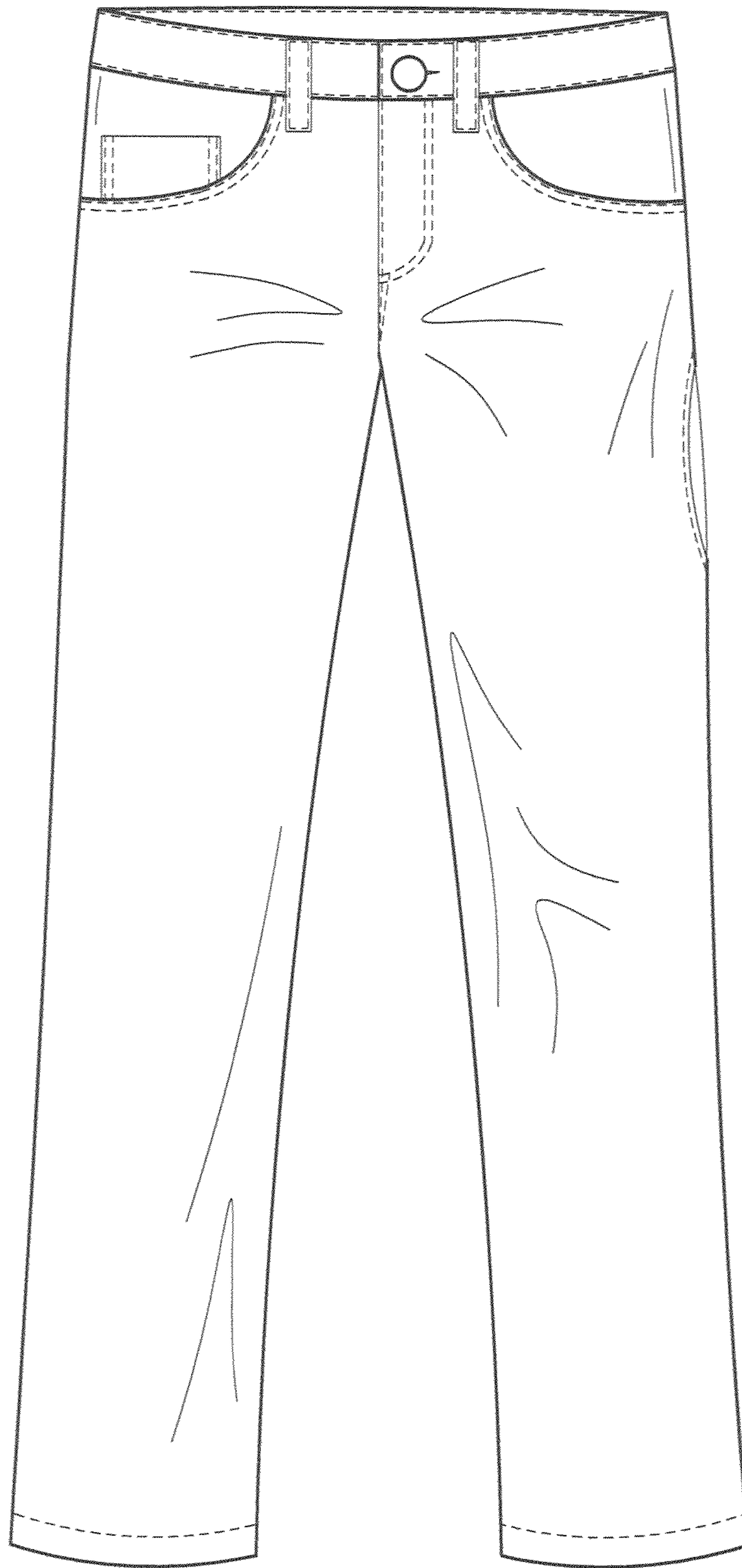


FIG. 1

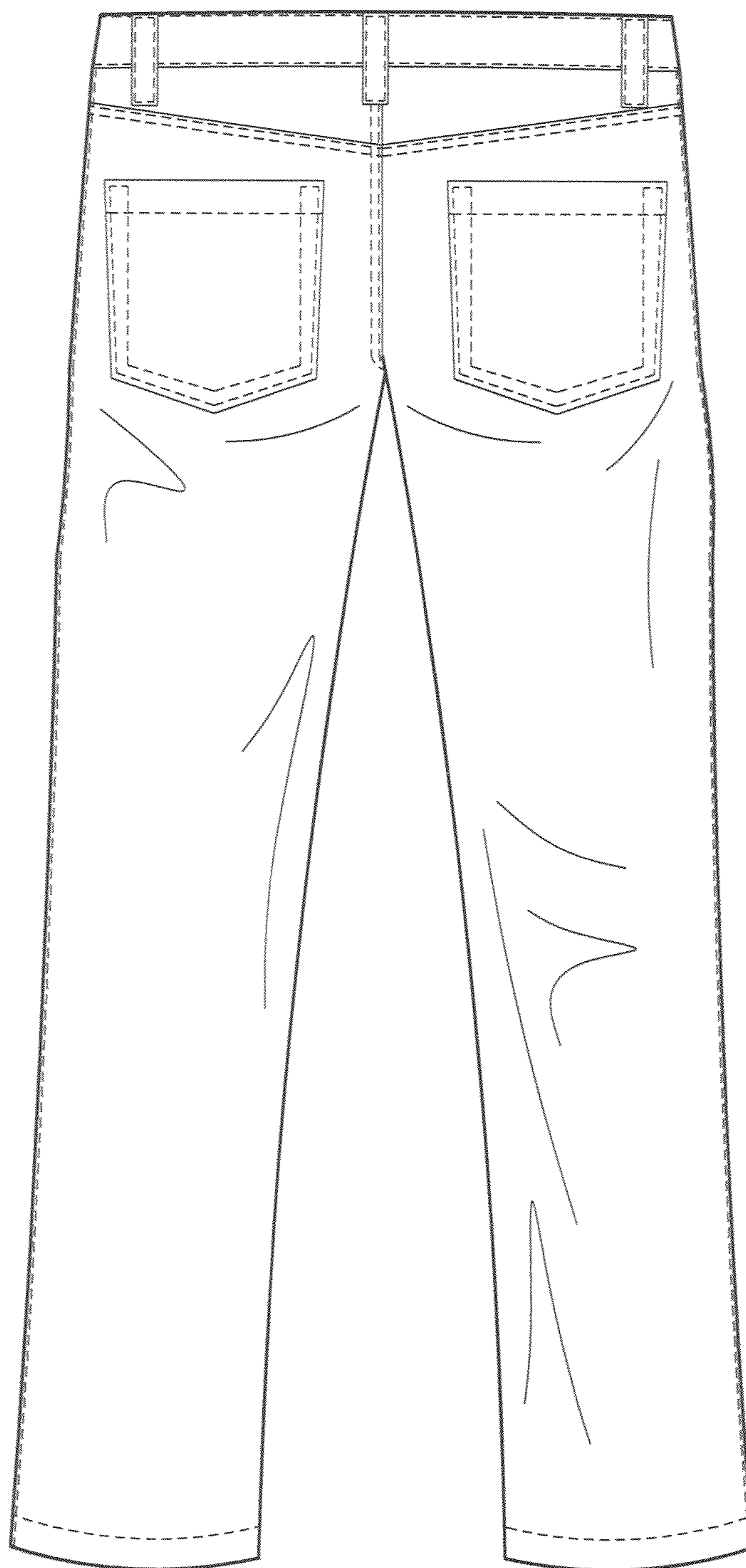


FIG. 2



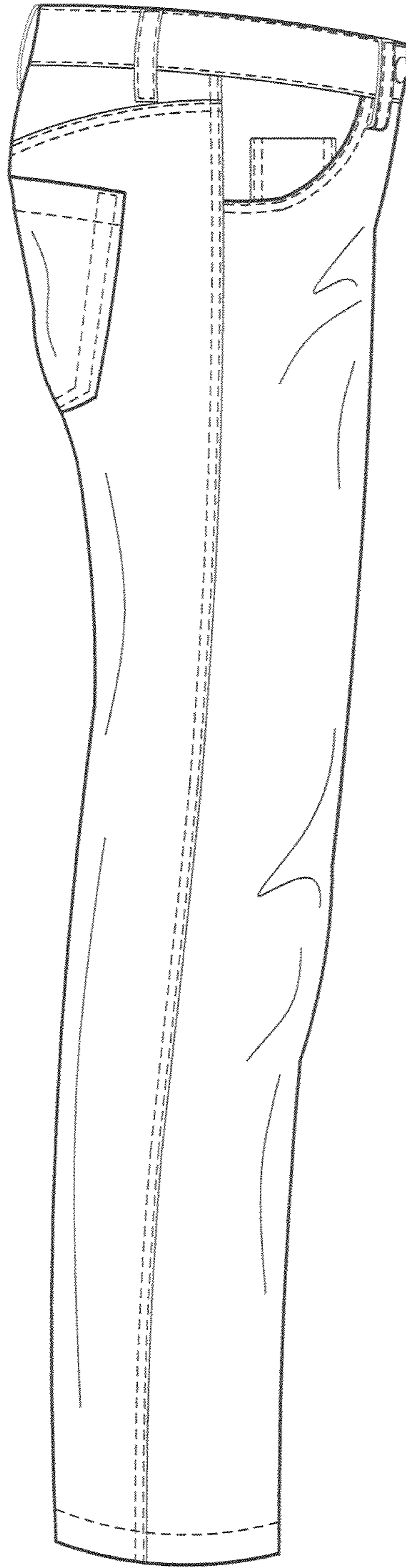


FIG. 3

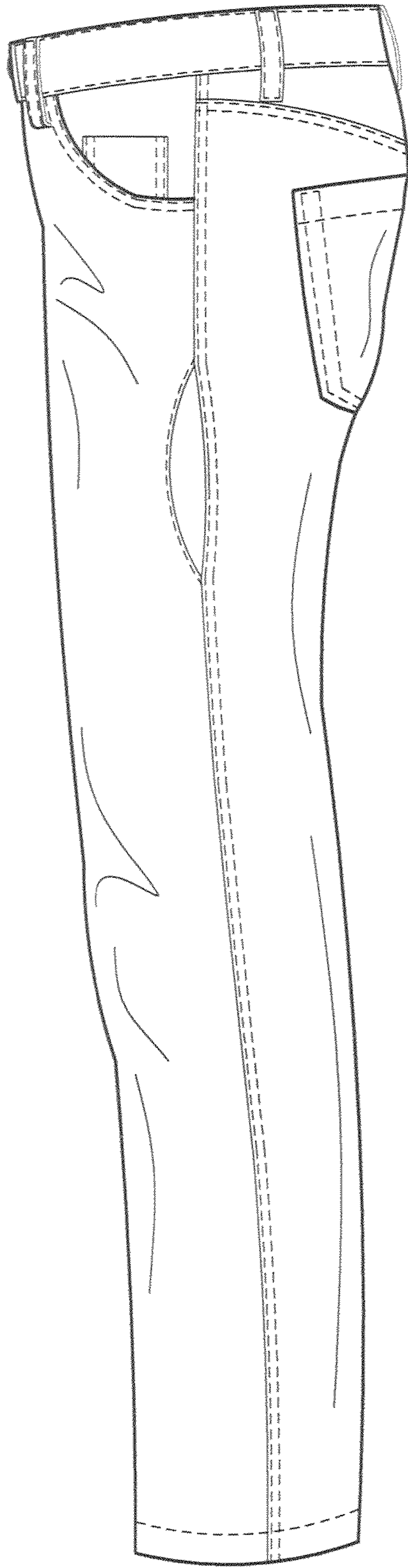


FIG. 4

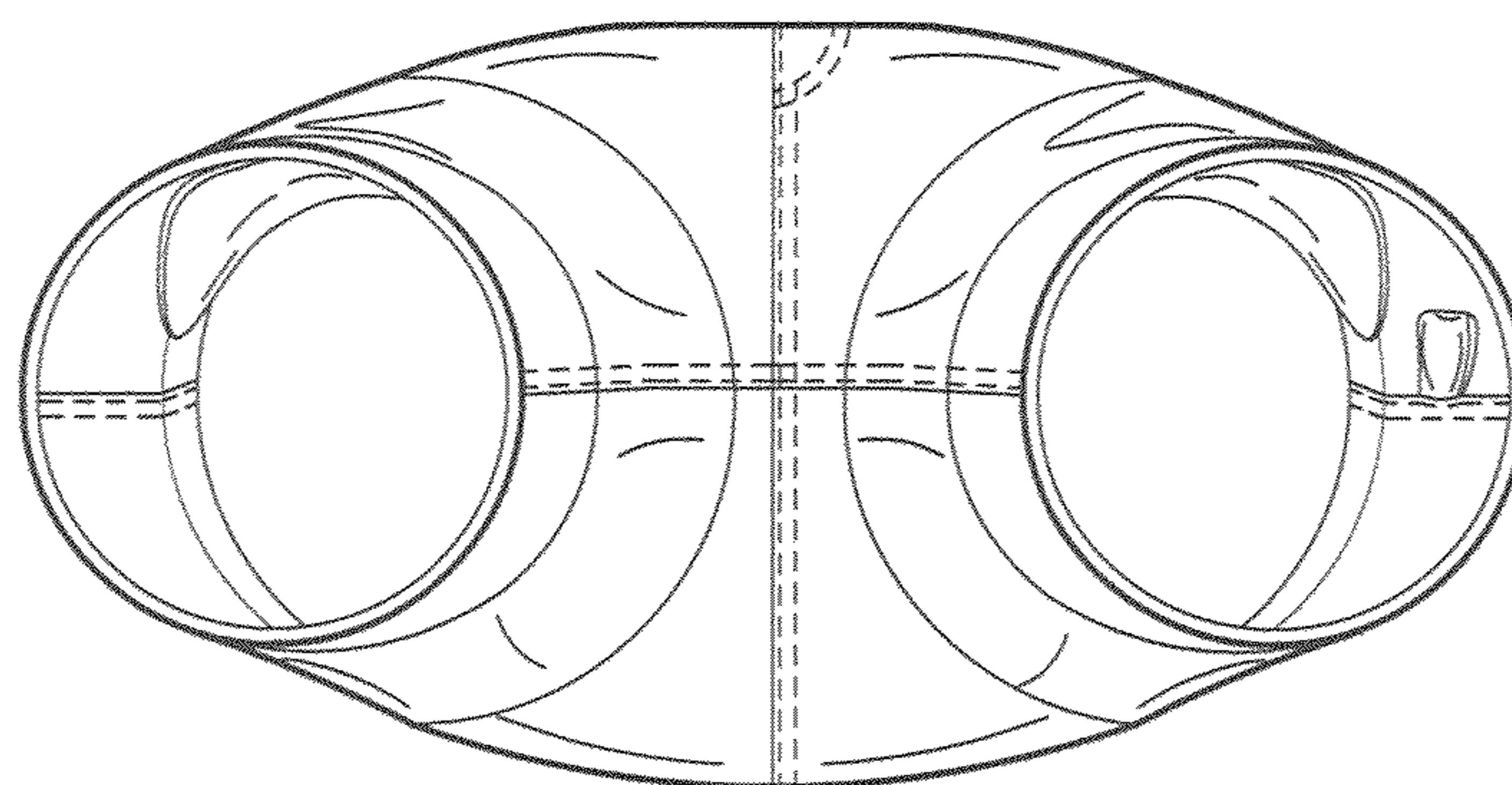


FIG. 5