



US00D745246S

(12) **United States Design Patent**  
**Sbarigia et al.**

(10) **Patent No.:** **US D745,246 S**

(45) **Date of Patent:** **\*\* Dec. 15, 2015**

(54) **TIE**

(71) Applicant: **GEKOROSSO S.r.l. SEMPLIFICATA**,  
Rome (IT)

(72) Inventors: **Giulio Sbarigia**, Rome (IT); **Niccolò  
Cappon**, Rome (IT); **Fabio Cappon**,  
Rome (IT)

(73) Assignee: **GEKOROSSO S.r.l. SEMPLIFICATA**,  
Rome (IT)

(\*\*) Term: **14 Years**

(21) Appl. No.: **29/511,355**

(22) Filed: **Dec. 10, 2014**

(30) **Foreign Application Priority Data**

Jun. 19, 2014 (WO) ..... 821099801

(51) **LOC (10) Cl.** ..... **02-05**

(52) **U.S. Cl.**  
USPC ..... **D2/609**

(58) **Field of Classification Search**

USPC ..... D2/600, 601, 602, 603, 604, 605, 606,  
D2/607, 608, 609

CPC ..... A41F 10/00; A41F 1/008; A41F 3/04;  
A41D 25/00; A41D 25/001; A41D 25/003;  
A41D 25/005; A41D 25/006; A41D 25/02;  
A41D 25/025; A41D 25/10; A41D 25/12

See application file for complete search history.

(56) **References Cited**

**U.S. PATENT DOCUMENTS**

1,596,782 A \* 8/1926 Weinstein ..... 2/151  
2,045,279 A \* 6/1936 Mayer ..... 2/155

(Continued)

*Primary Examiner* — Karen E. Eldridge Powers

*Assistant Examiner* — Jasmine Mlinarcik

(74) *Attorney, Agent, or Firm* — Thomas|Horstemeyer, LLP

(57) **CLAIM**

The ornamental design for tie, as shown and described.

**DESCRIPTION**

FIG. 1 is a front elevational view of our new tie showing use as part of a straight tie shown in broken lines;

FIG. 2 is a rear elevational view of our new tie, opposite that of FIG. 1;

FIG. 3 is a side elevational view of our new tie of FIG. 1;

FIG. 4 is another side elevational view of our new tie, from a side opposite that of FIG. 3;

FIG. 5 is an enlarged top plan view of our new tie of FIG. 1;

FIG. 6 is an enlarged bottom plan view of our new tie of FIG. 1;

FIG. 7 is a front perspective view of our new tie of FIG. 1;

FIG. 8 is a rear perspective view of our new tie, from a side opposite that of FIG. 7 and in an open position;

FIG. 9 is a front elevational view of our new tie, showing use as part of a bow tie shown in broken lines;

FIG. 10 is a rear elevational view of our new tie, opposite that of FIG. 9;

FIG. 11 is a side elevational view of our new tie of FIG. 9;

FIG. 12 is another side elevational view of our new tie, from a side opposite that of FIG. 11;

FIG. 13 is a top plan view of our new tie of FIG. 9;

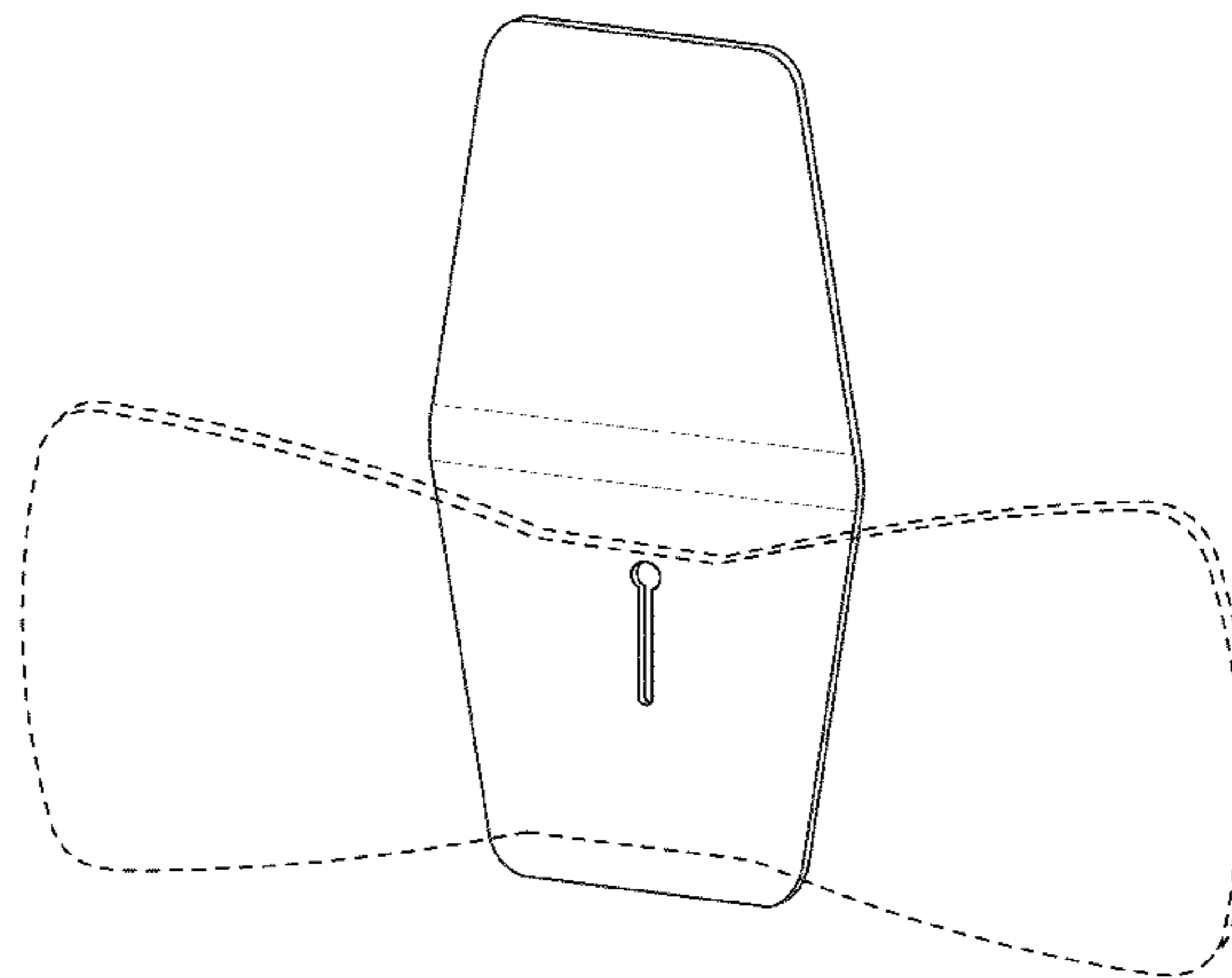
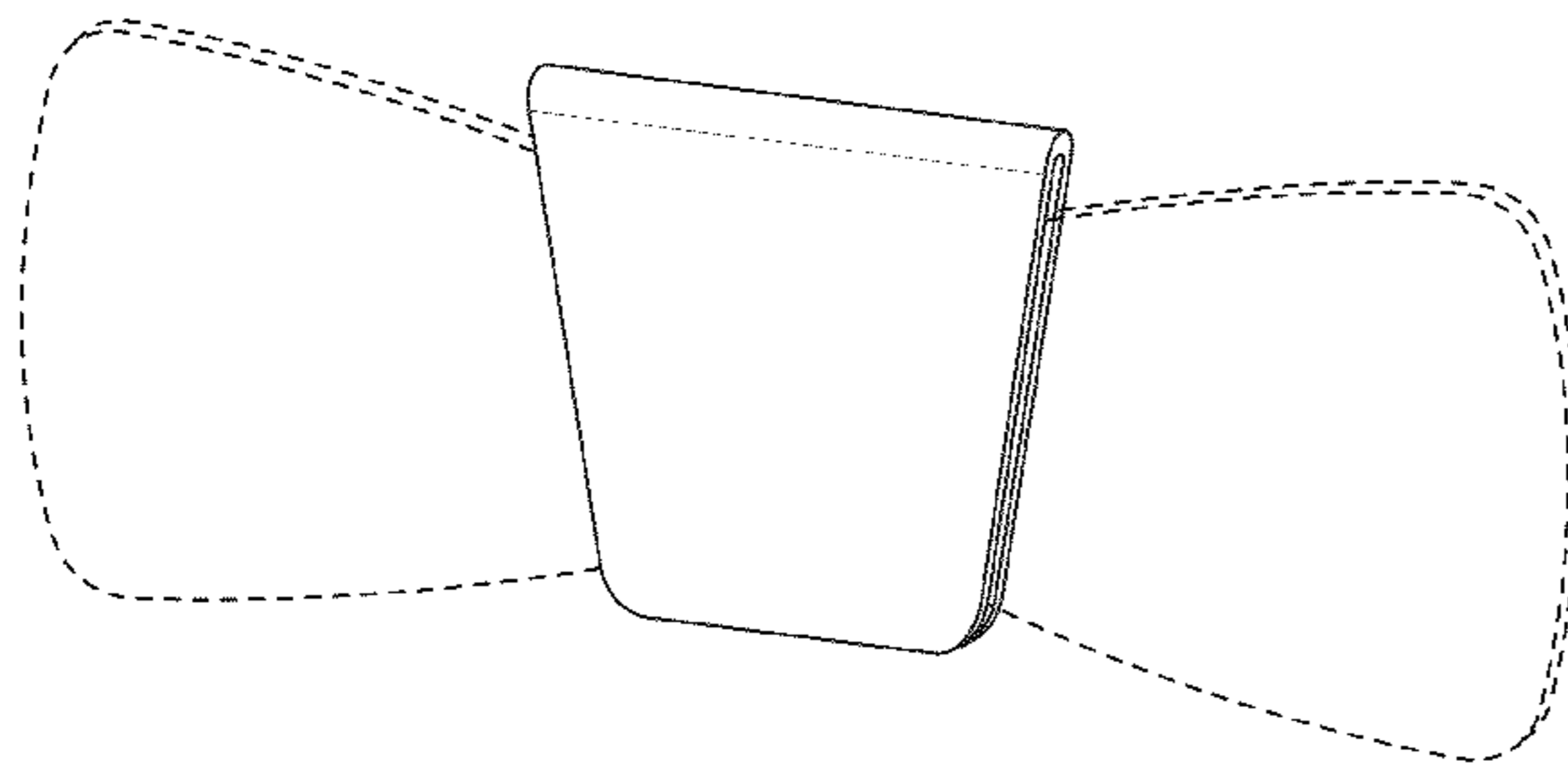
FIG. 14 is a bottom plan view of our new tie of FIG. 9;

FIG. 15 is a front perspective view of our new tie of FIG. 9; and,

FIG. 16 is a rear perspective view of our new tie, from a side opposite that of FIG. 15 and in an open position.

The broken line showing of portions of the figures is for environmental purposes only and forms no part of the claimed design.

**1 Claim, 13 Drawing Sheets**



(56)

**References Cited**

U.S. PATENT DOCUMENTS

2,417,159	A *	3/1947	Gamer	.....	2/151	D352,376	S *	11/1994	Moore	.....	D2/605
2,663,023	A *	12/1953	Thorpe	.....	2/153	D368,573	S *	4/1996	Pehr	.....	D2/609
3,777,312	A *	12/1973	Najarian	.....	2/154	6,460,189	B1 *	10/2002	Welch	.....	2/145
D260,946	S *	9/1981	Leonardi	.....	D2/605	D476,134	S *	6/2003	Miller	.....	D2/609
D301,521	S *	6/1989	Safford	.....	D2/609	D668,836	S *	10/2012	Martin	.....	D2/605
						D688,440	S *	8/2013	Kim	.....	D2/605
						2014/0259280	A1 *	9/2014	Muaina	.....	2/145
						2015/0047095	A1 *	2/2015	Evans	.....	2/148

\* cited by examiner

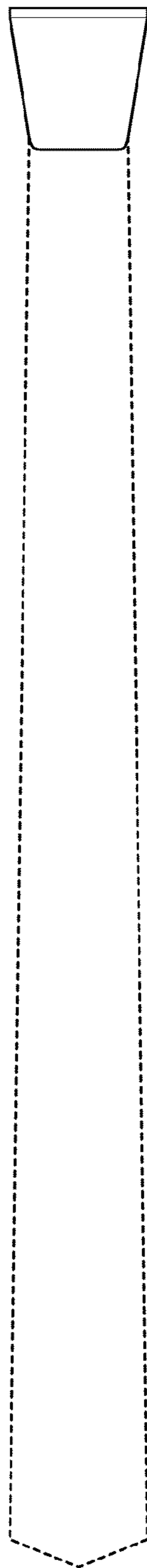


FIG. 1

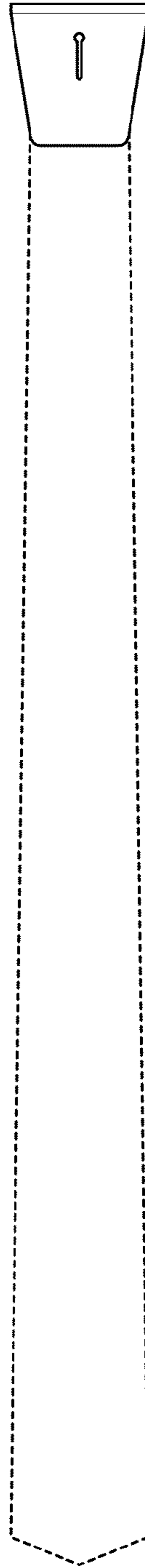


FIG. 2



FIG. 3



FIG. 4



FIG. 5



FIG. 6

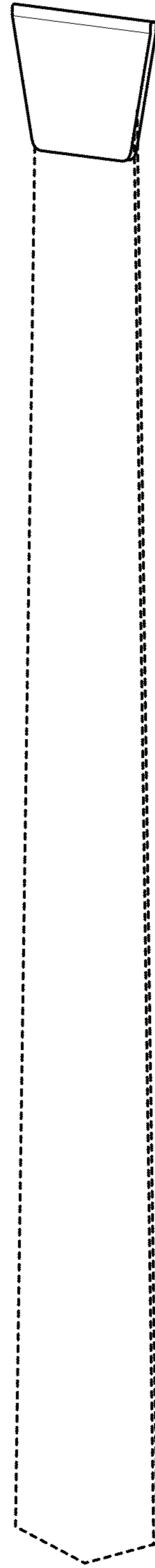


FIG. 7



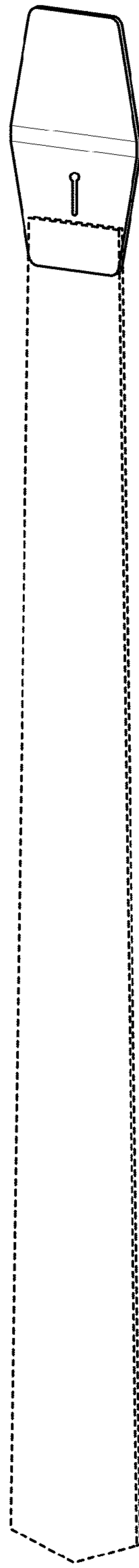


FIG. 8

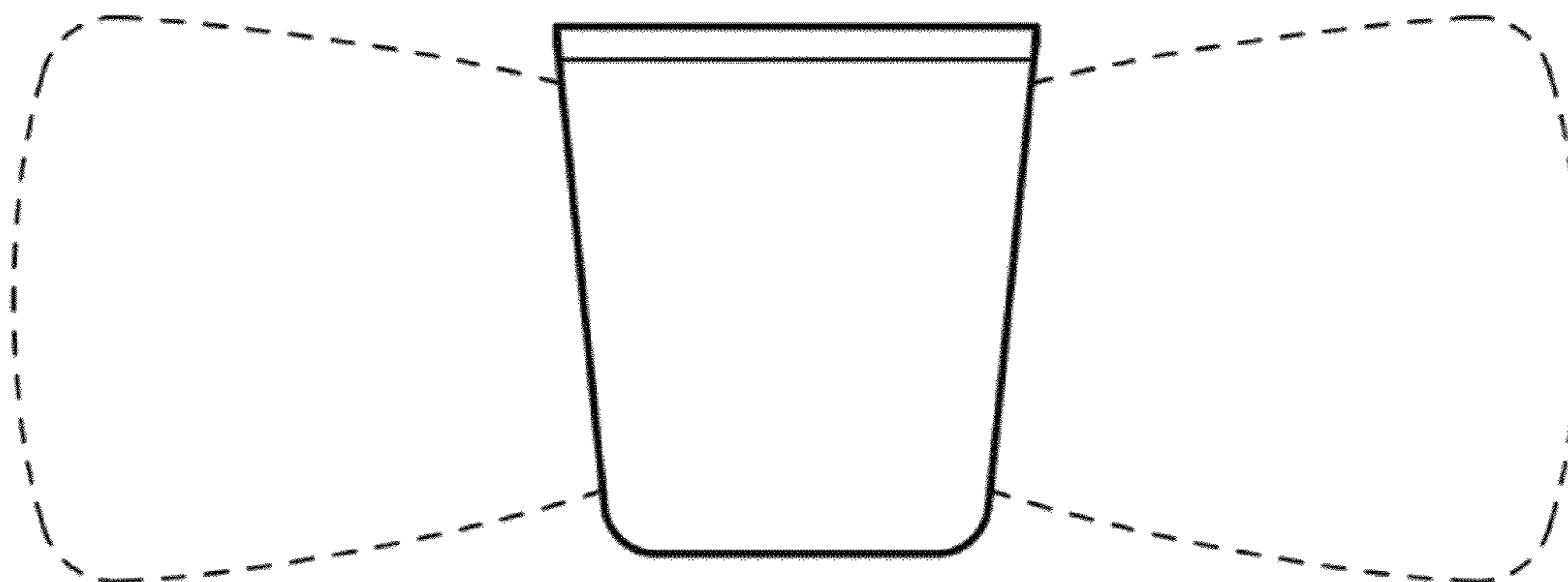


FIG. 9

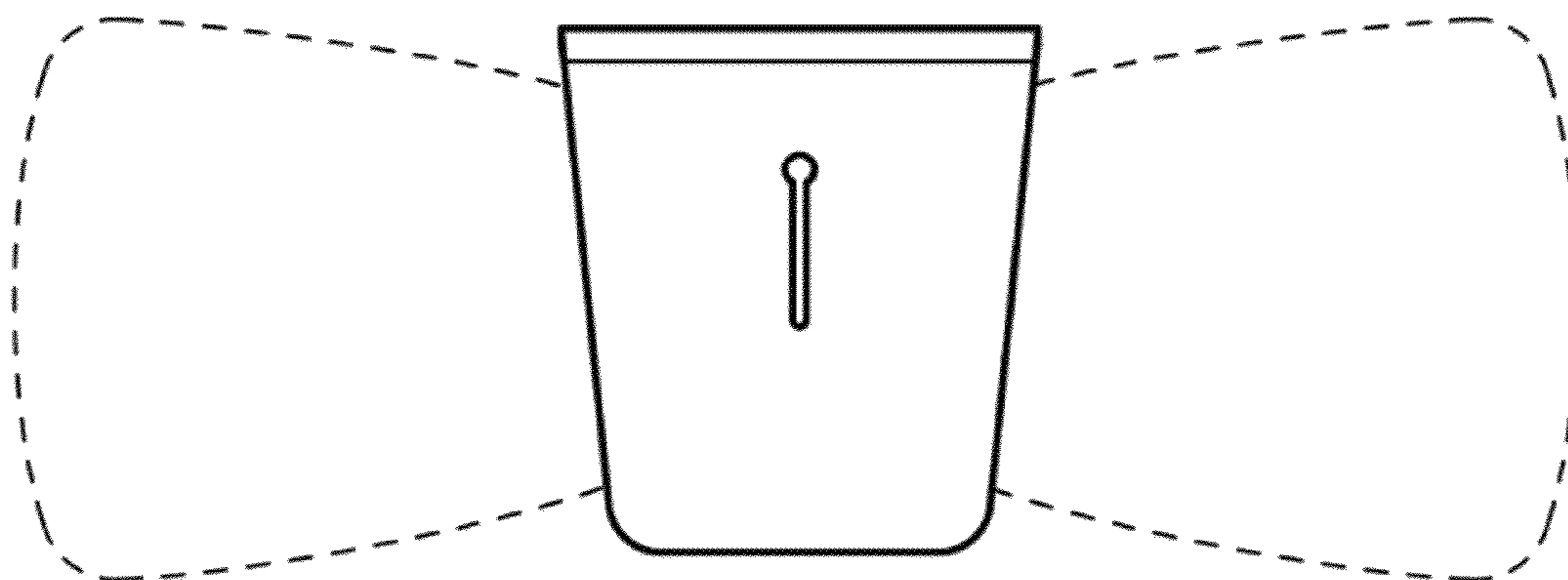


FIG. 10

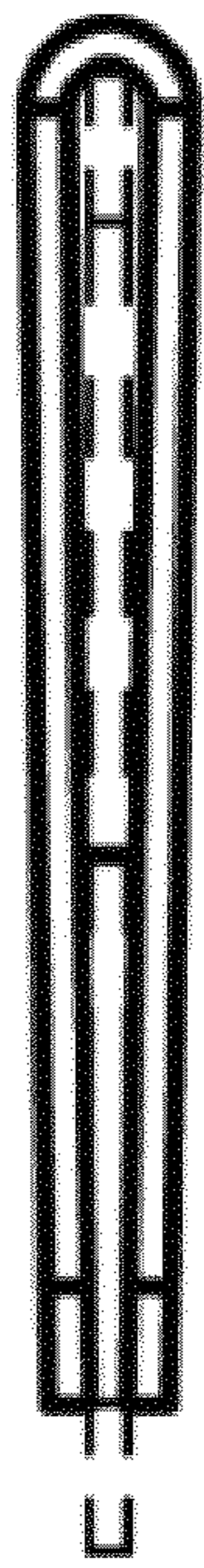


FIG. 11



FIG. 12



FIG. 13



FIG. 14

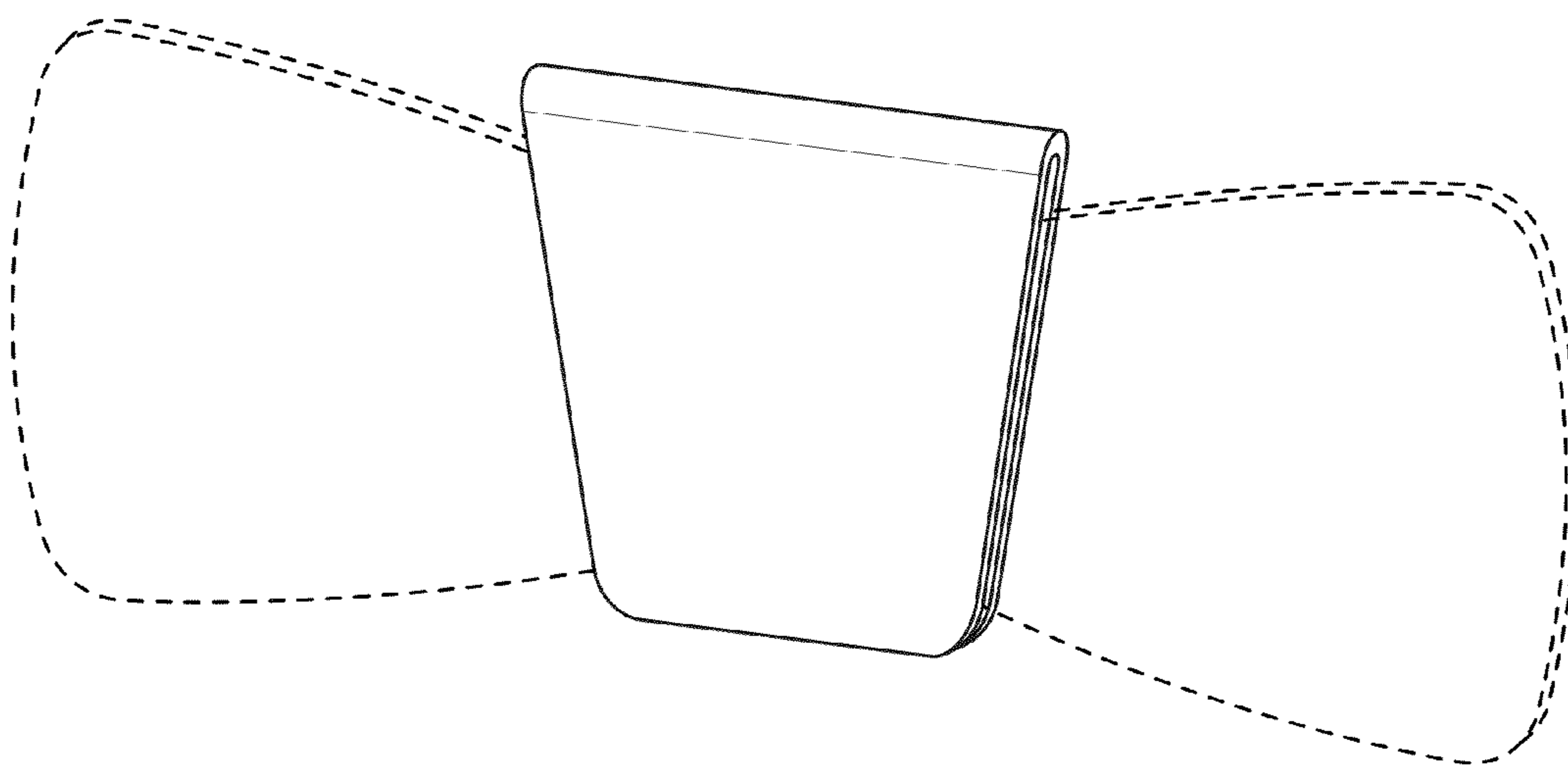


FIG. 15

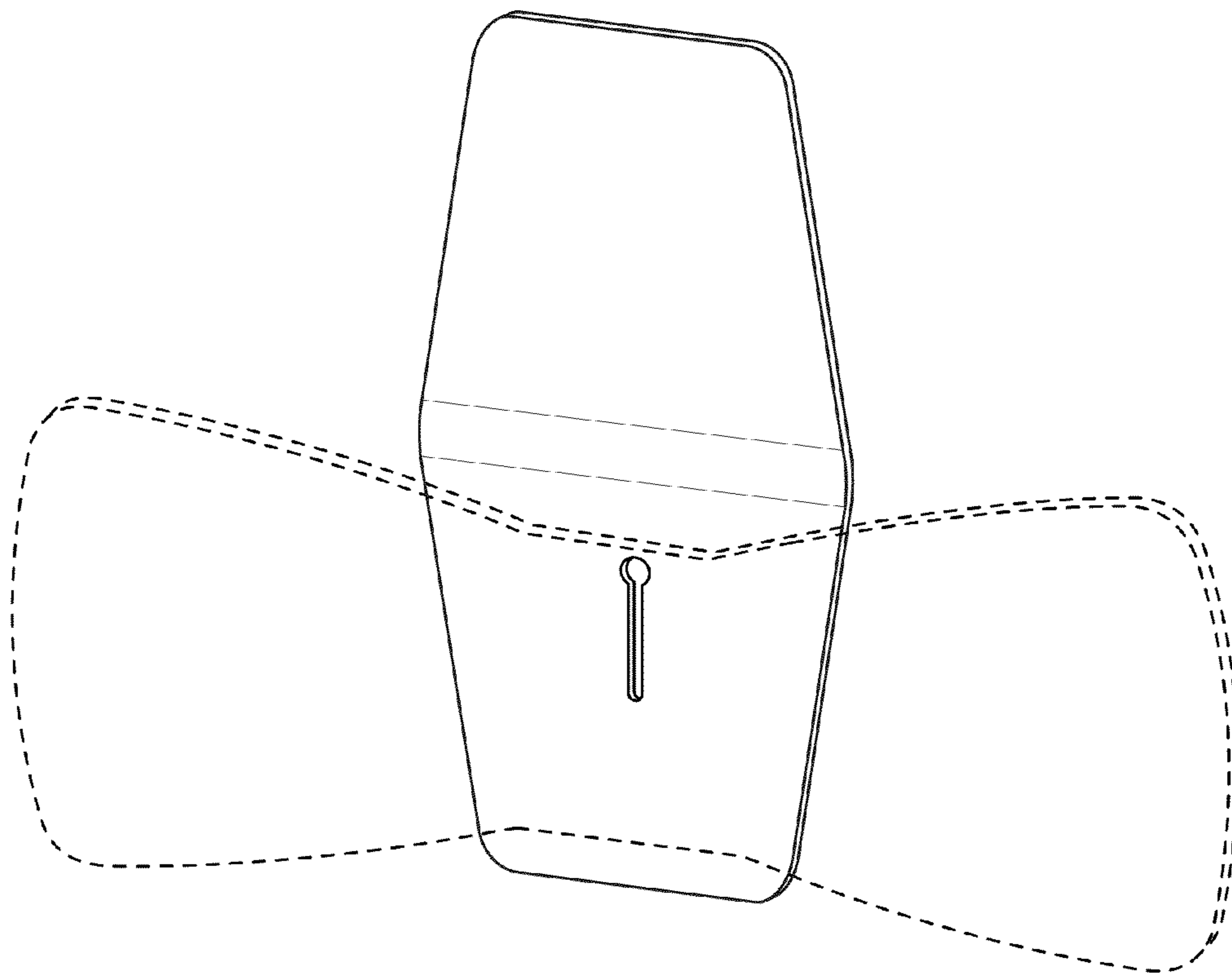


FIG. 16