



US00D745243S

(12) **United States Design Patent**
Kimura et al.

(10) **Patent No.:** **US D745,243 S**
(45) **Date of Patent:** **** Dec. 15, 2015**

- (54) **MACARONI**
- (71) Applicant: **NISSHIN FOODS INC.**, Tokyo (JP)
- (72) Inventors: **Ryusuke Kimura**, Tokyo (JP); **Fusaki Kajio**, Tokyo (JP)
- (73) Assignee: **NISSHIN FOODS INC.**, Tokyo (JP)
- (**) Term: **15 Years**
- (21) Appl. No.: **29/526,971**
- (22) Filed: **May 14, 2015**

- 4,892,442 A * 1/1990 Shoffner B29C 47/0014
138/108
- D311,625 S 10/1990 Starck
- 5,087,153 A * 2/1992 Washburn G02B 6/4459
138/108
- 5,238,328 A * 8/1993 Adams F16L 58/1045
138/141
- D347,665 S 6/1994 Hatting
- D380,886 S 7/1997 Hauser et al.
- D381,185 S 7/1997 Hauser et al.
- 5,678,609 A * 10/1997 Washburn F16L 3/26
138/107

(Continued)

Related U.S. Application Data

- (62) Division of application No. 29/488,931, filed on Apr. 24, 2014, now Pat. No. Des. 733,992, which is a division of application No. 29/445,131, filed on Feb. 7, 2013, now Pat. No. Des. 707,419.

(51) **LOC (10) Cl.** **01-01**

(52) **U.S. Cl.**
USPC **D1/126**

(58) **Field of Classification Search**
USPC D1/100-130, 199; 426/5, 76, 87, 92, 426/94, 95, 99, 101, 103, 104, 108, 134, 426/138-139, 143, 144, 279, 282, 283, 391, 426/514, 549, 559, 560, 660, 808; D9/439; 521/50; 251/364; 220/574; D8/83; D21/487

See application file for complete search history.

(56) **References Cited**

U.S. PATENT DOCUMENTS

- 1,589,850 A * 6/1926 Haskell A21D 13/0029
425/363
- D134,414 S 11/1942 Orme, Jr.
- 3,161,210 A * 12/1964 Loof F16L 58/1027
138/121
- 3,240,233 A * 3/1966 Johnston B21C 43/04
138/108
- 3,720,235 A * 3/1973 Schrock F16L 11/121
128/204.18
- 4,248,179 A * 2/1981 Bonner F28F 1/40
122/235.14
- 4,358,634 A * 11/1982 Dienes H02G 15/18
138/128

FOREIGN PATENT DOCUMENTS

- JP D 1464623 3/2013
- JP D 1464624 3/2013

(Continued)

OTHER PUBLICATIONS

Japanese Design Patent Application No. 2012-18358 filed Aug. 1, 2012.

(Continued)

Primary Examiner — Deanna L Pratt
Assistant Examiner — Katie Mroczka
(74) *Attorney, Agent, or Firm* — Muncy, Geissler, Olds & Lowe, P.C.

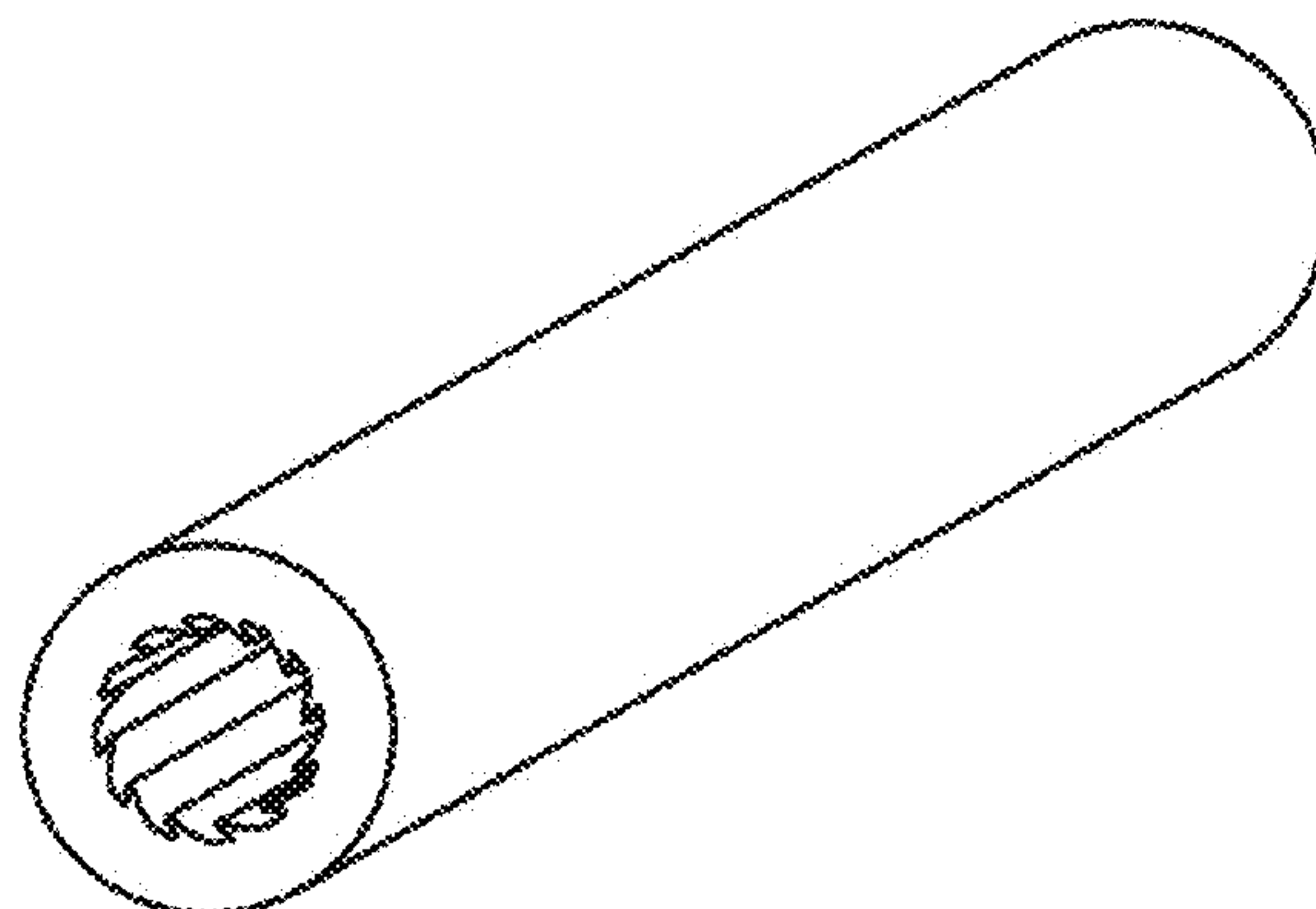
(57) **CLAIM**

The ornamental design for a macaroni, as shown and described.

DESCRIPTION

FIG. 1 is a perspective view of a macaroni;
FIG. 2 is a front view of the macaroni;
FIG. 3 is a rear view of the macaroni;
FIG. 4 is a right side view of the macaroni;
FIG. 5 is a left side view of the macaroni;
FIG. 6 is a top plan view of the macaroni; and,
FIG. 7 is a bottom plan view of the macaroni.

1 Claim, 1 Drawing Sheet



(56)

References Cited

U.S. PATENT DOCUMENTS

D392,435 S 3/1998 Mocking et al.
 5,937,488 A * 8/1999 Geiger F16L 3/1033
 24/16 PB
 D423,312 S 4/2000 Hames
 D428,782 S 8/2000 Hames
 6,112,770 A * 9/2000 Walsh H02G 3/0481
 138/108
 6,185,859 B1 * 2/2001 Pirkle A01K 85/00
 138/178
 D445,322 S 7/2001 Hames
 D485,661 S 1/2004 Harris
 D489,865 S 5/2004 Pavan
 D492,467 S 7/2004 Pittard et al.
 D507,691 S 7/2005 Leiweke et al.
 D538,507 S 3/2007 Tansey et al.
 D575,612 S 8/2008 Clampitt et al.
 D593,277 S 6/2009 Wylie
 D660,546 S 5/2012 Joseph et al.
 D684,337 S 6/2013 Tansey et al.
 D692,206 S 10/2013 Slusarczyk et al.

8,647,694 B2 2/2014 Kimura et al.
 2010/0034930 A1 2/2010 Ko
 2012/0196015 A1 8/2012 Fuentes et al.

FOREIGN PATENT DOCUMENTS

JP D 1464625 3/2013
 JP D 1464823 3/2013
 JP D 1464824 3/2013
 JP D 1464825 3/2013

OTHER PUBLICATIONS

Japanese Design Patent Application No. 2012-18359 filed Aug. 1, 2012.
 Japanese Design Patent Application No. 2012-236549 filed Oct. 26, 2012.
 International Patent Application No. PCT/JP2013/52731 filed Feb. 6, 2013.
 Japanese Office Action dated Mar. 26, 2013, for Design Application No. 2012-018358.
 Japanese Office Action dated Mar. 26, 2012, for Design Application No. 2012-018359.

* cited by examiner

FIG. 1

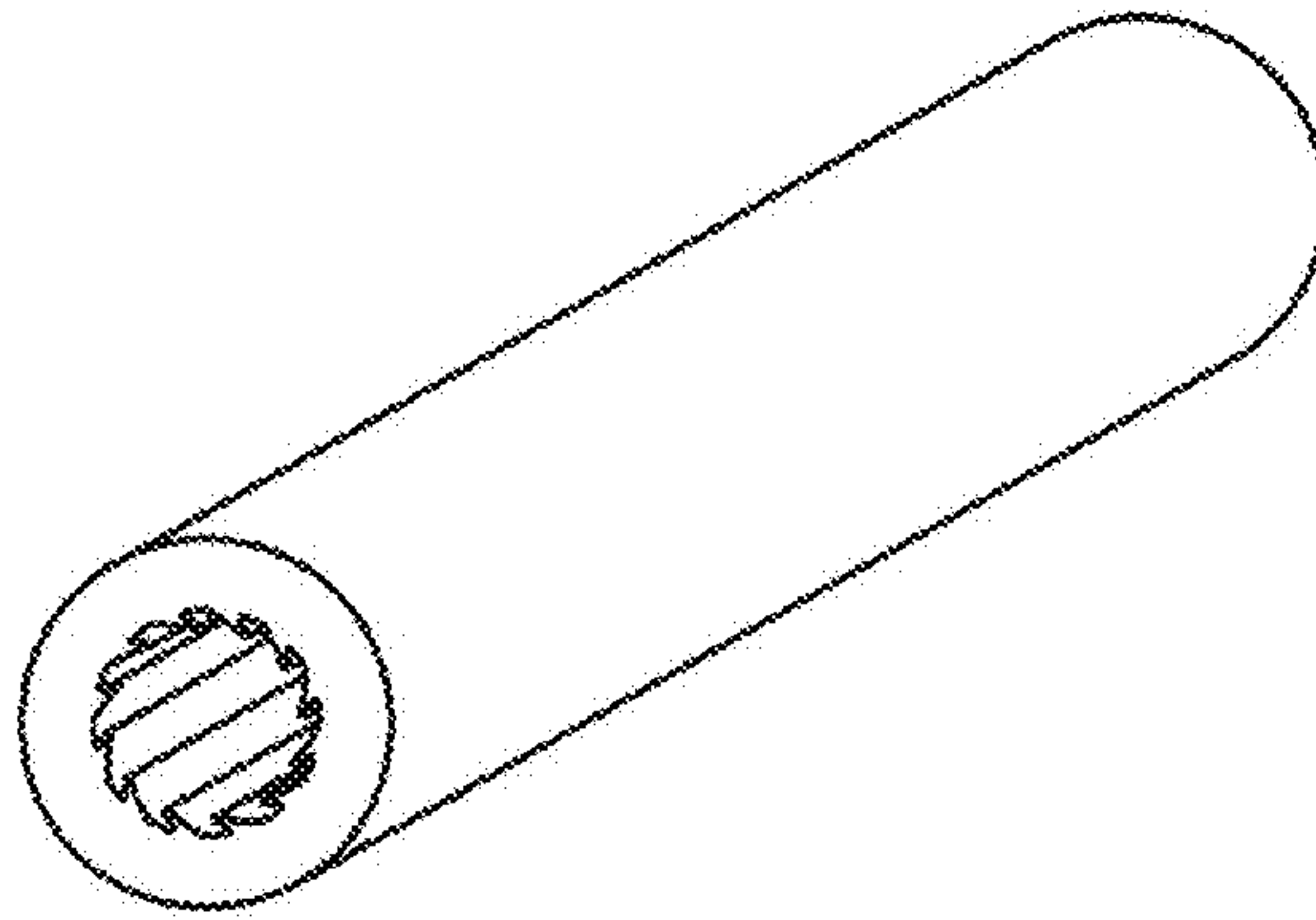


FIG. 2



FIG. 3



FIG. 4

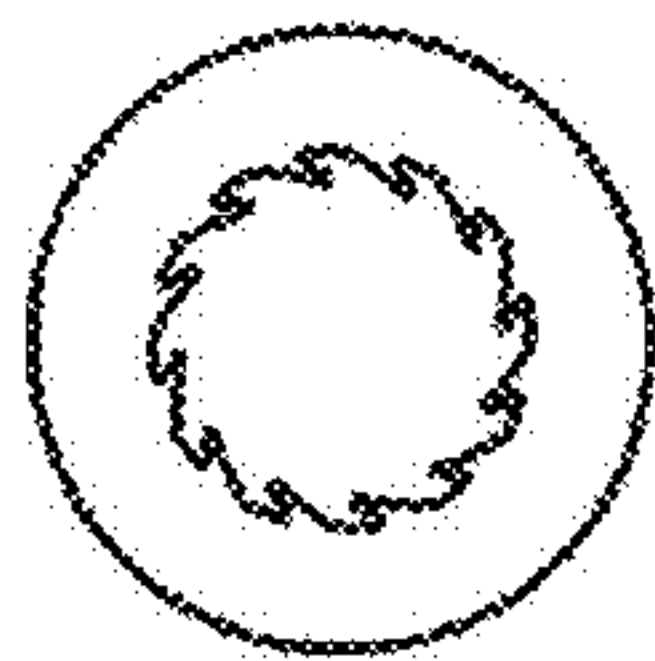


FIG. 5



FIG. 6



FIG. 7

