



US00D745240S

(12) **United States Design Patent**
Yamanaka et al.

(10) **Patent No.:** **US D745,240 S**
(45) **Date of Patent:** **** Dec. 8, 2015**

- (54) **TRANSFERRING MACHINE FOR CAREGIVING**
- (71) Applicant: **KABUSHIKI KAISHA YASKAWA DENKI**, Kitakyushu-shi (JP)
- (72) Inventors: **Futoshi Yamanaka**, Fukuoka (JP); **Kenichiro Hirai**, Fukuoka (JP); **Kengo Nagamitsu**, Fukuoka (JP); **Kenshun Ishii**, Tokyo (JP); **Yuta Fukuda**, Tokyo (JP)
- (73) Assignee: **KABUSHIKI KAISHA YASKAWA DENKI**, Kitakyushu-Shi (JP)
- (**) Term: **14 Years**
- (21) Appl. No.: **29/498,202**
- (22) Filed: **Jul. 31, 2014**
- (30) **Foreign Application Priority Data**
Feb. 4, 2014 (JP) 2014-002266
- (51) **LOC (10) Cl.** **12-05**
- (52) **U.S. Cl.**
USPC **D34/28**
- (58) **Field of Classification Search**
USPC D34/28-37; 5/81 R, 81 B, 81 C, 83, 84, 5/85, 86, 87, 88, 89, 81.1 R, 83.1, 87.1, 5/81.1, 84.1, 89.1; 187/200, 18, 8.43; 414/539-541, 678, 921, 462, 537; D12/406, 408; 254/9 C, 9 B, 122, 2 B, 254/90
CPC . A61G 7/1046; A61G 7/1019; A61G 7/1017; A61G 7/1015; A61G 7/1036; A61G 7/10
See application file for complete search history.

Primary Examiner — Cynthia Ramirez
Assistant Examiner — Gino Colan
(74) *Attorney, Agent, or Firm* — Mori & Ward, LLP

(57) **CLAIM**
The ornamental design for a transferring machine for caregiving, as shown and described.

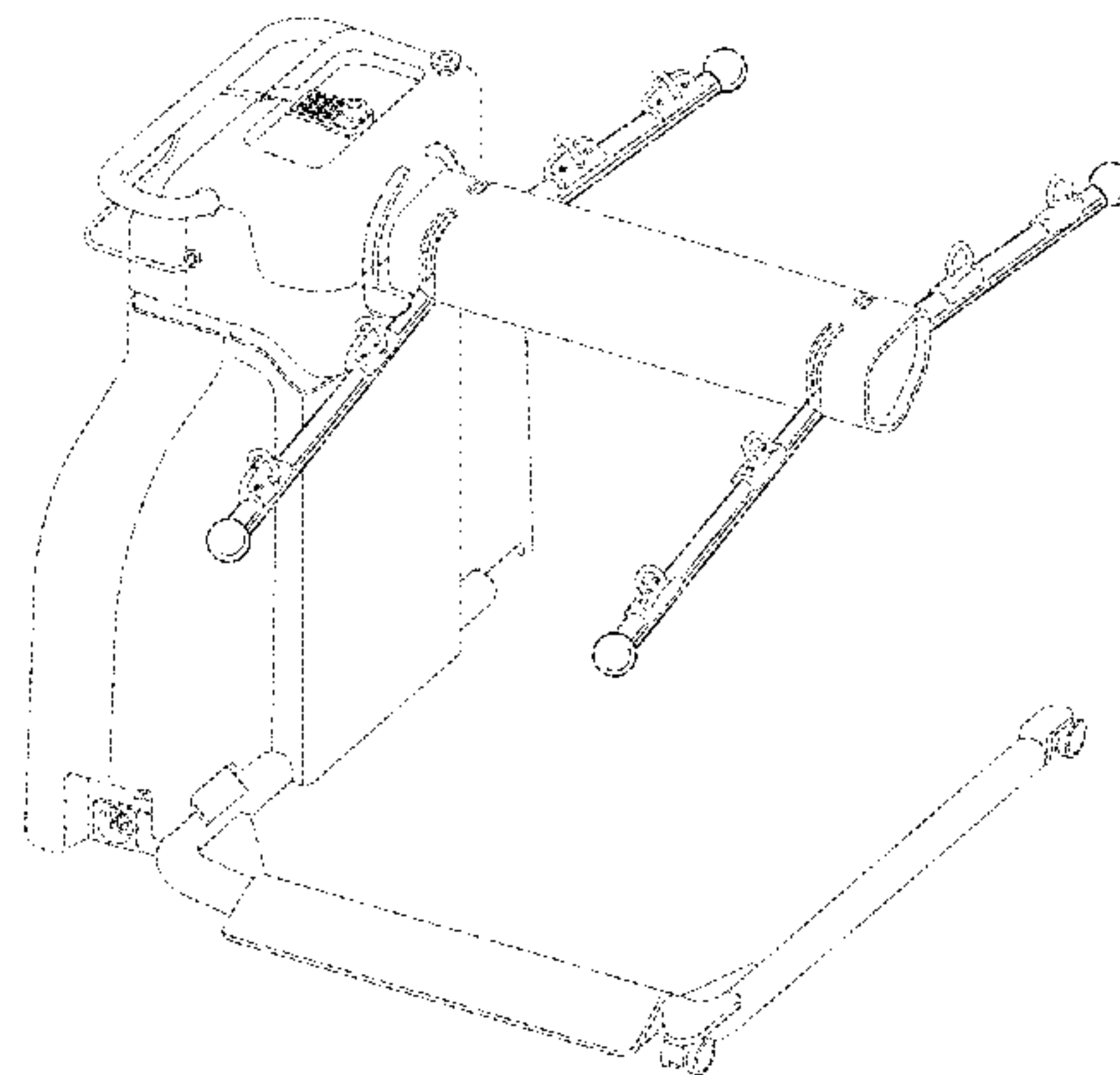
DESCRIPTION

FIG. 1 is a front view of a transferring machine for caregiving of the present invention;
 FIG. 2 is a rear view of the transferring machine for caregiving of FIG. 1;
 FIG. 3 is a top plan view of the transferring machine for caregiving of FIG. 1;
 FIG. 4 is a bottom view of the transferring machine for caregiving of FIG. 1;
 FIG. 5 is a right side view of the transferring machine for caregiving of FIG. 1;
 FIG. 6 is a left side view of the transferring machine for caregiving of FIG. 1;
 FIG. 7 is a front perspective view of the transferring machine for caregiving of FIG. 1;
 FIG. 8 is a bottom rear perspective of the transferring machine for caregiving of FIG. 1;
 FIG. 9 is a right side view of the transferring machine for caregiving of FIG. 1 with the front arms raised;
 FIG. 10 is a right side view of the transferring machine for caregiving of FIG. 1 with the rear arms raised;
 FIG. 11 is a right side view of the transferring machine for caregiving of FIG. 1 with the front and rear arms raised;
 FIG. 12 is a first perspective view of the transferring machine for caregiving of FIG. 1, in use;
 FIG. 13 is a second perspective view of the transferring machine for caregiving of FIG. 1, in use; and,
 FIG. 14 is a third perspective view of the transferring machine for caregiving of FIG. 1, in use.
 The features shown in broken lines depict environmental subject matter only and form no part of the claimed design.

- (56) **References Cited**
U.S. PATENT DOCUMENTS
D355,293 S * 2/1995 Parker D34/28
D376,886 S * 12/1996 Dunn D34/28

(Continued)

1 Claim, 14 Drawing Sheets



(56)

References Cited

U.S. PATENT DOCUMENTS

5,892,180 A *	4/1999	Carey	A61G 7/1017	177/144
D434,198 S *	11/2000	Greaves	D34/28	
7,346,941 B1 *	3/2008	Ein	A61G 7/1017	5/81.1 R
2005/0217024 A1 *	10/2005	Aarestad	A61G 7/1015	5/86.1
2009/0249544 A1 *	10/2009	Palay	A61G 5/14	5/83.1
2009/0307840 A1 *	12/2009	Lingegard	A61G 7/1019	5/83.1
2010/0031439 A1 *	2/2010	Spidare	A61G 7/1017	5/87.1
2012/0174314 A1 *	7/2012	Clement	A61G 7/10	5/81.1 R
2013/0318708 A1 *	12/2013	Wang	A61G 7/1003	5/87.1

* cited by examiner

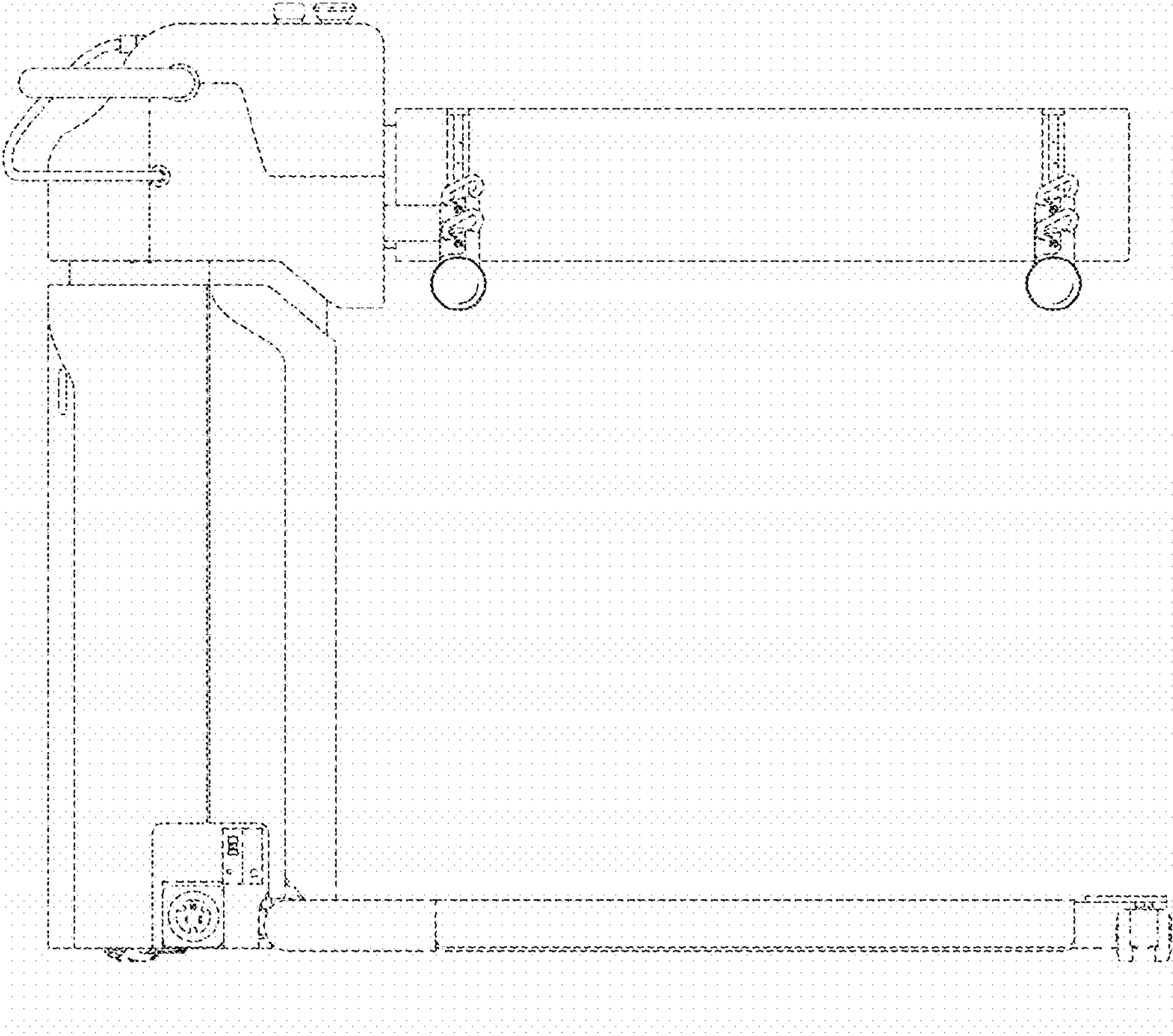
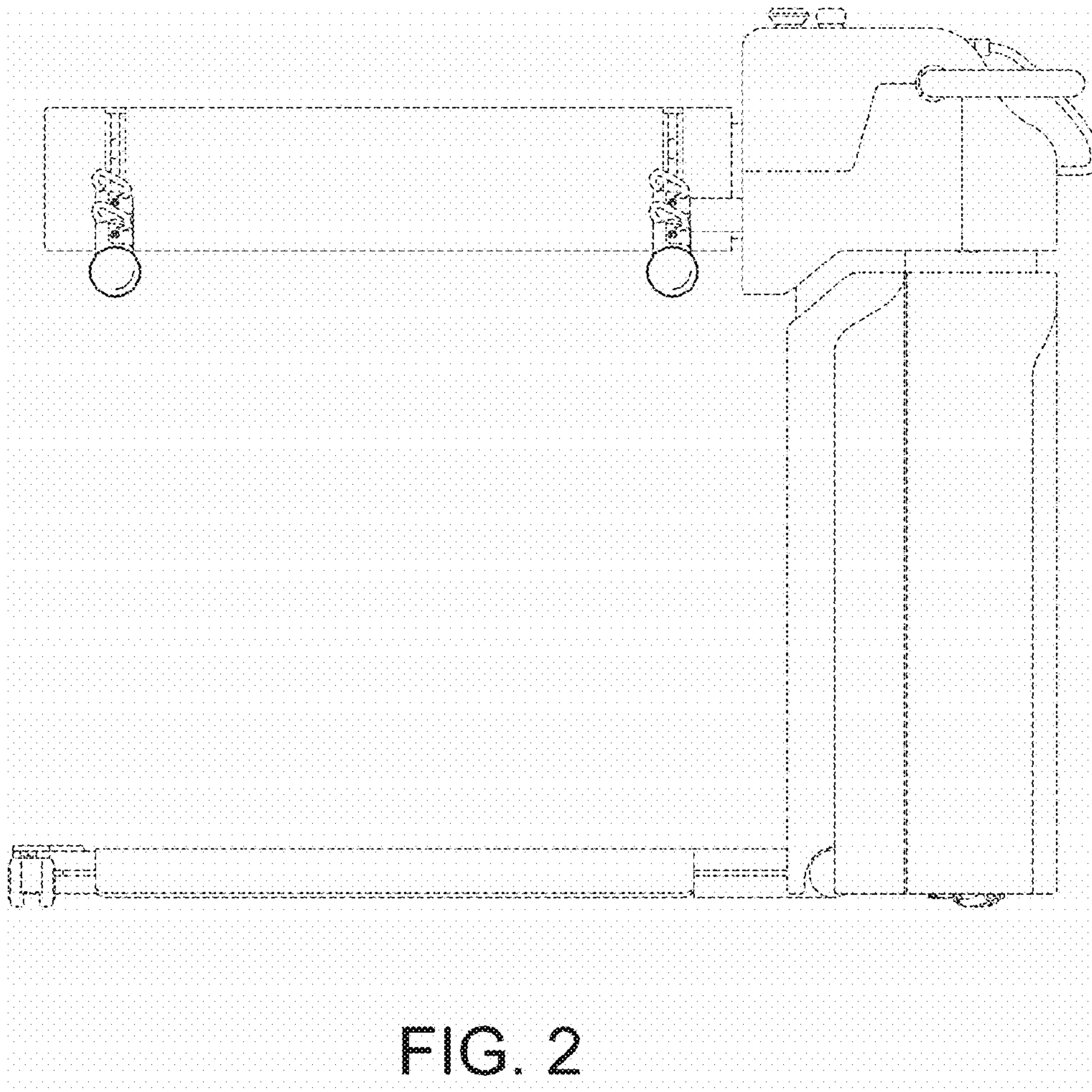


FIG. 1



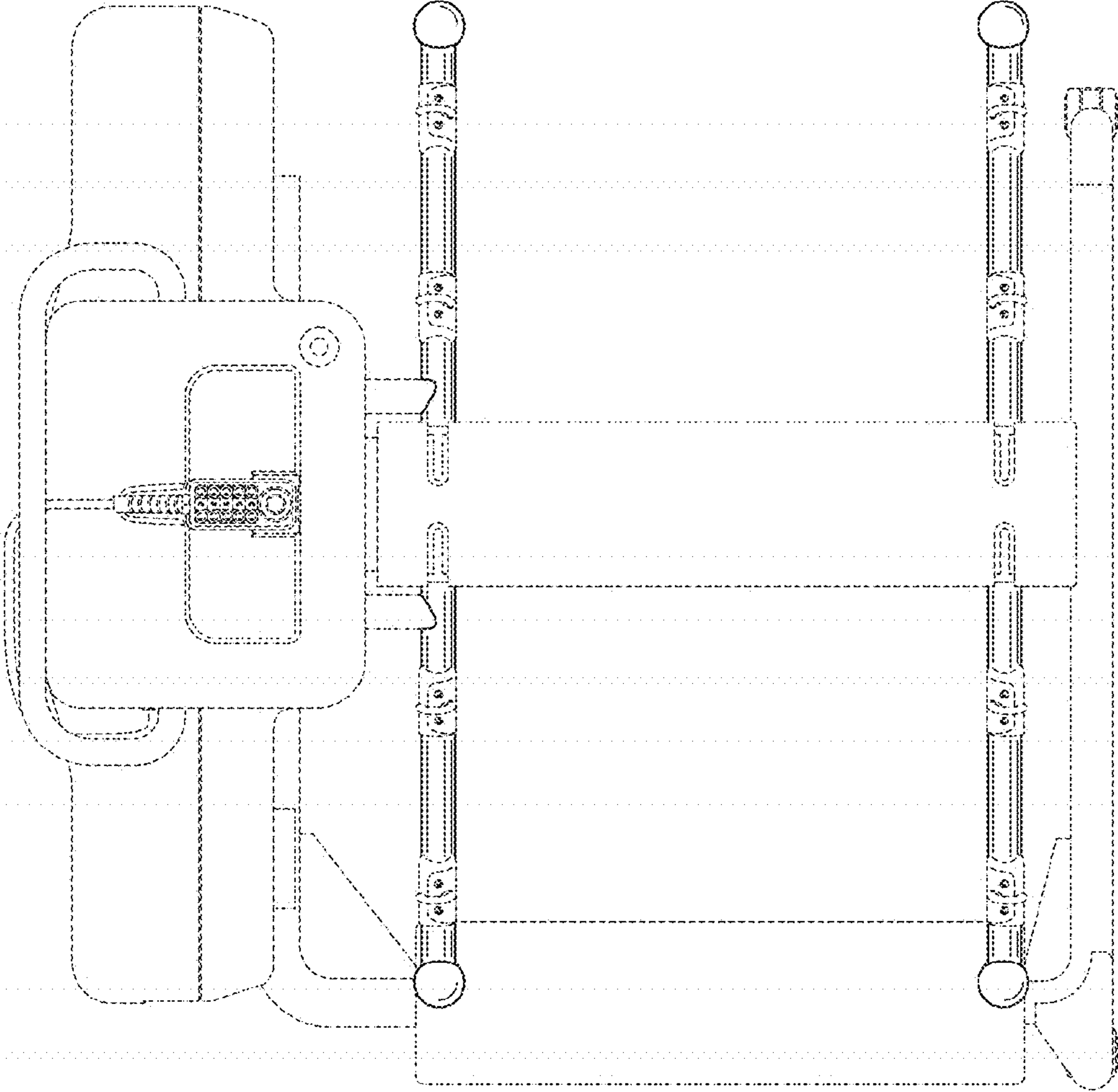


FIG. 3

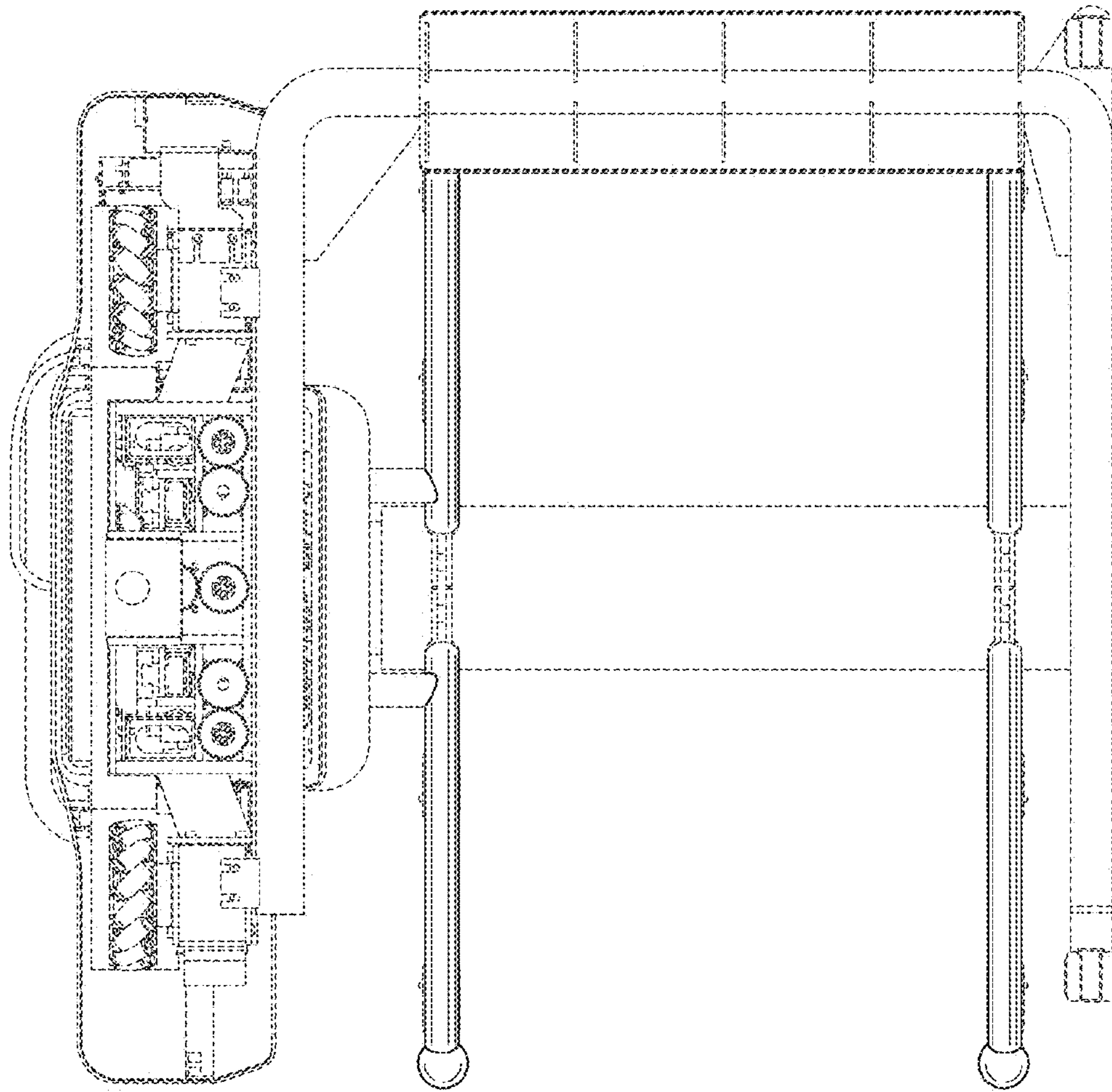


FIG. 4

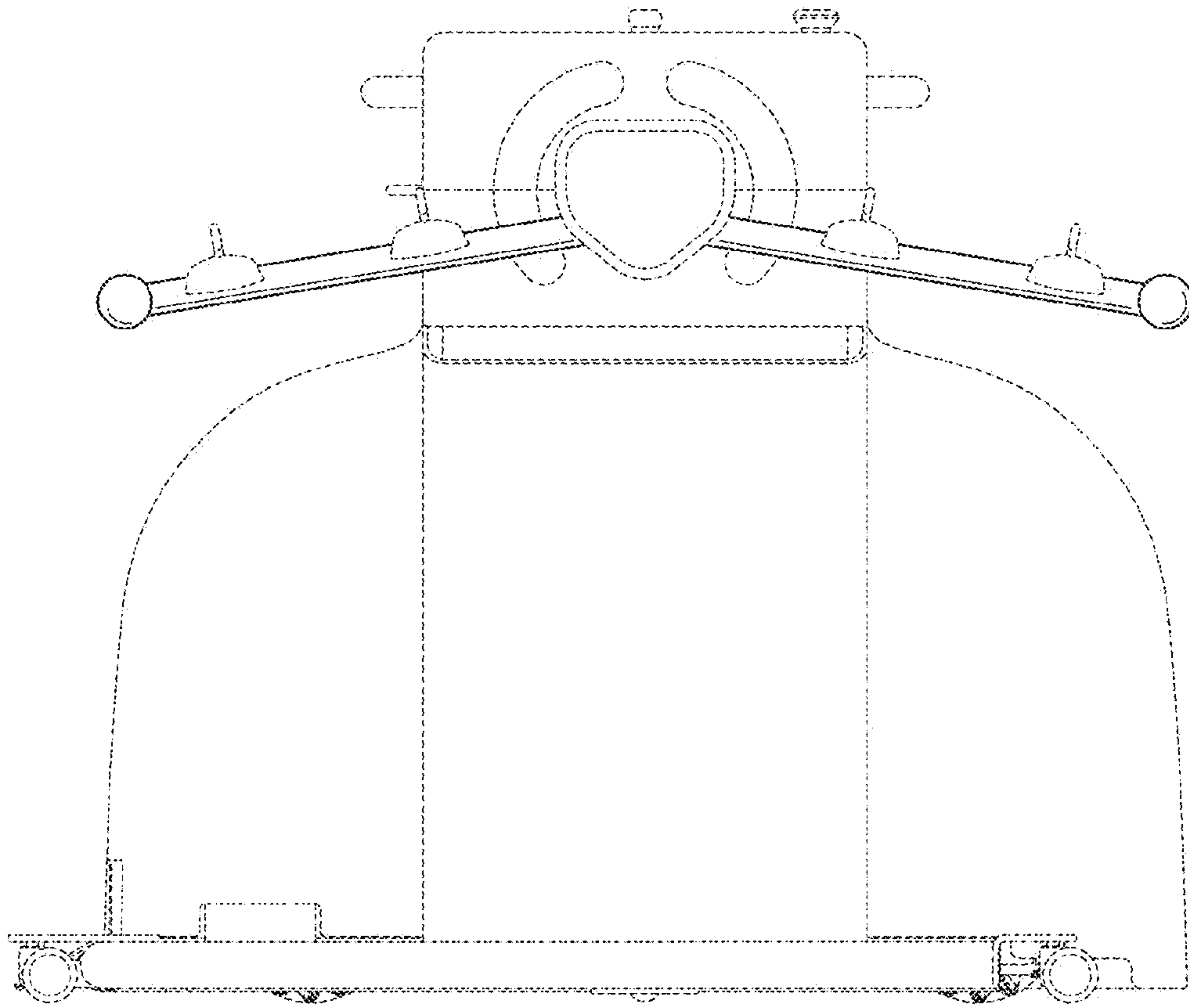


FIG. 5

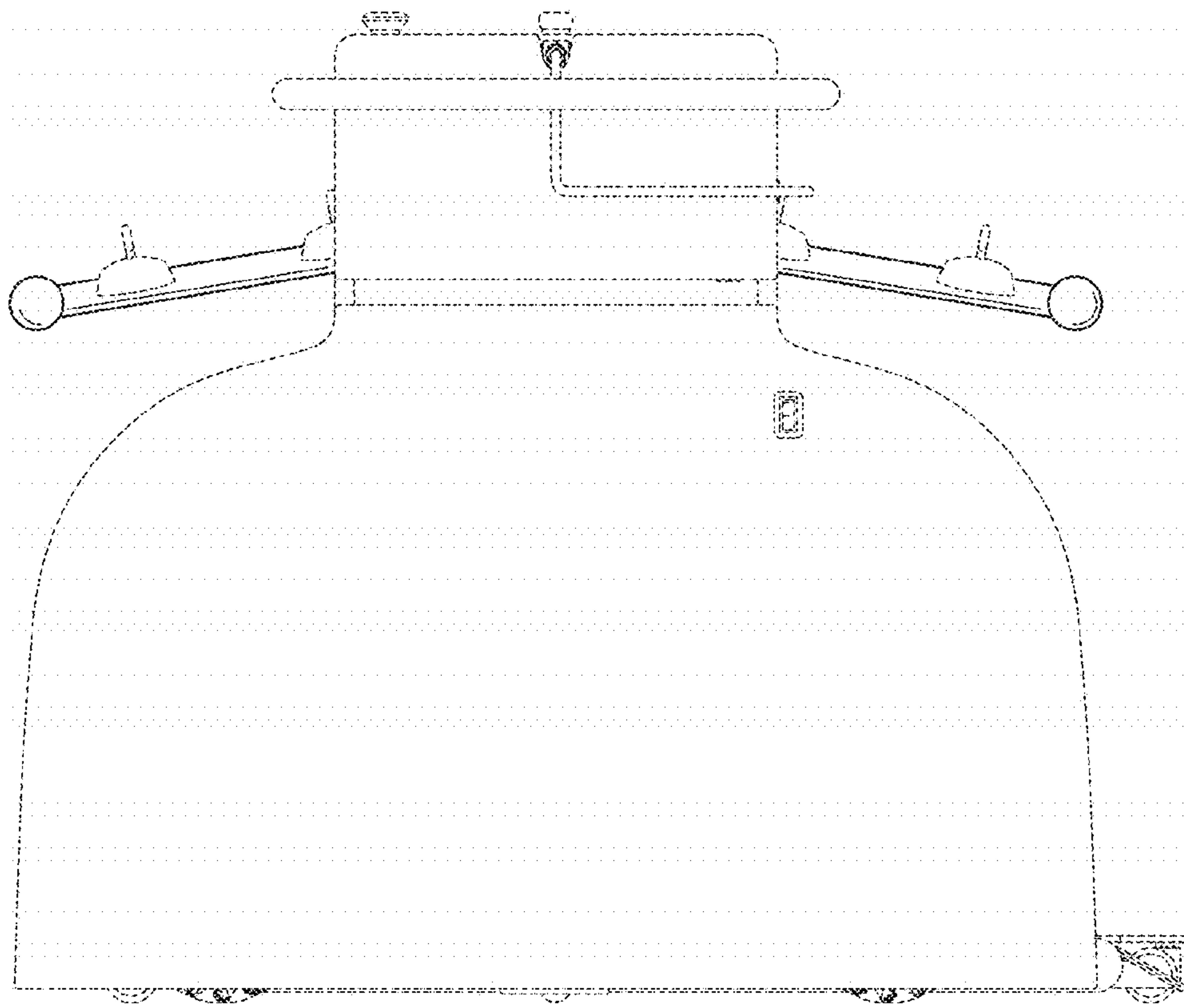


FIG. 6

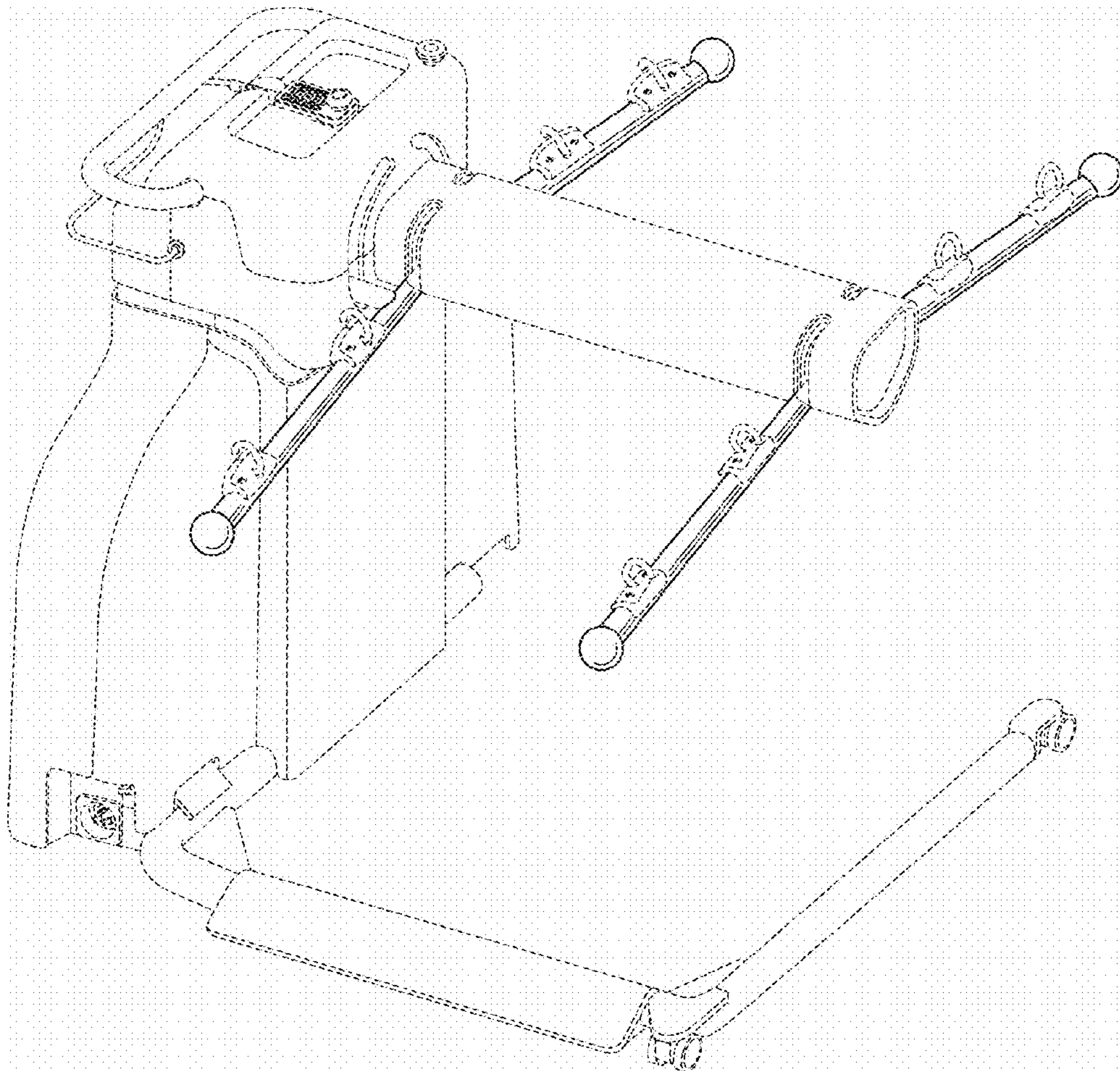


FIG. 7

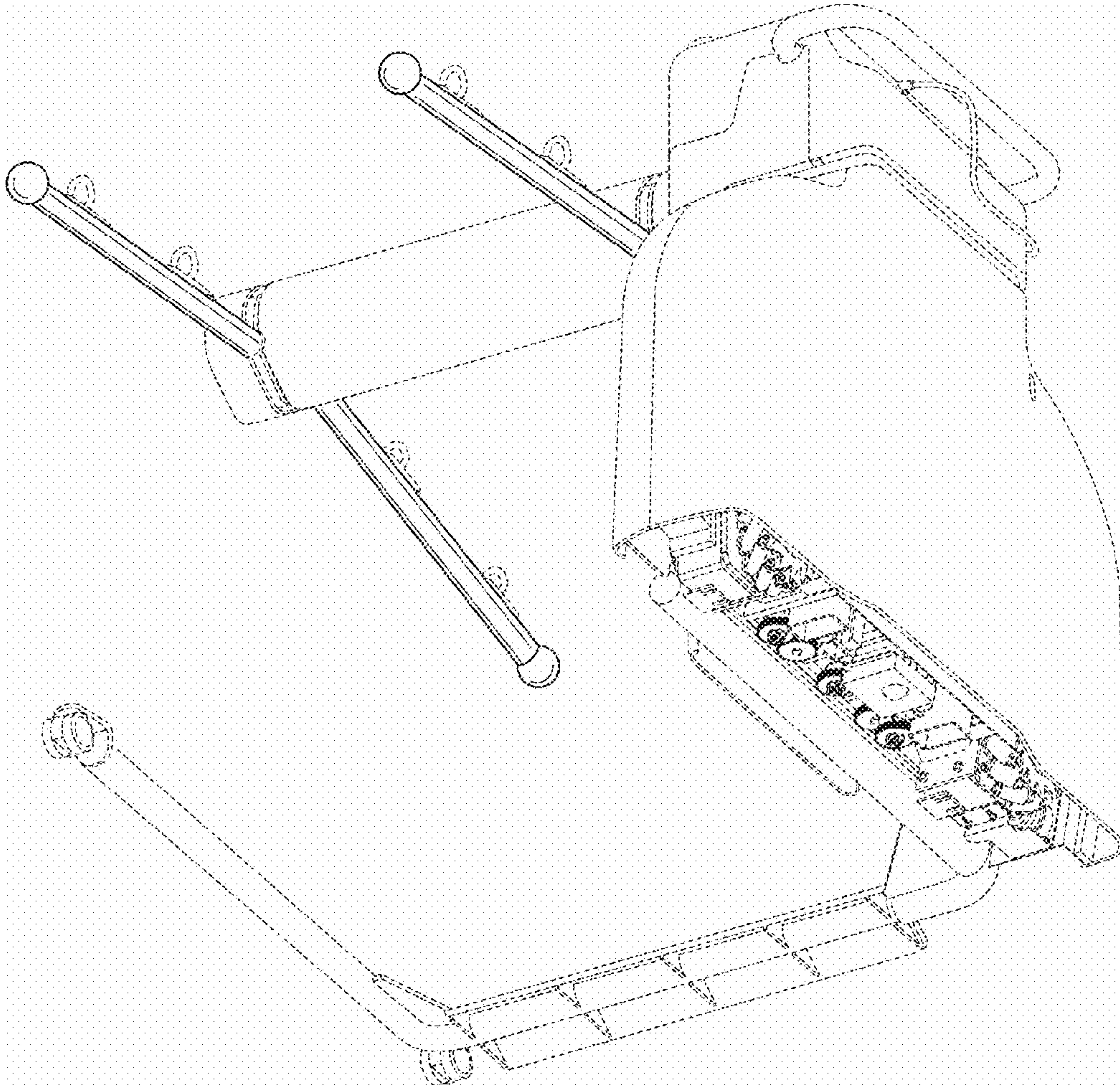


FIG. 8

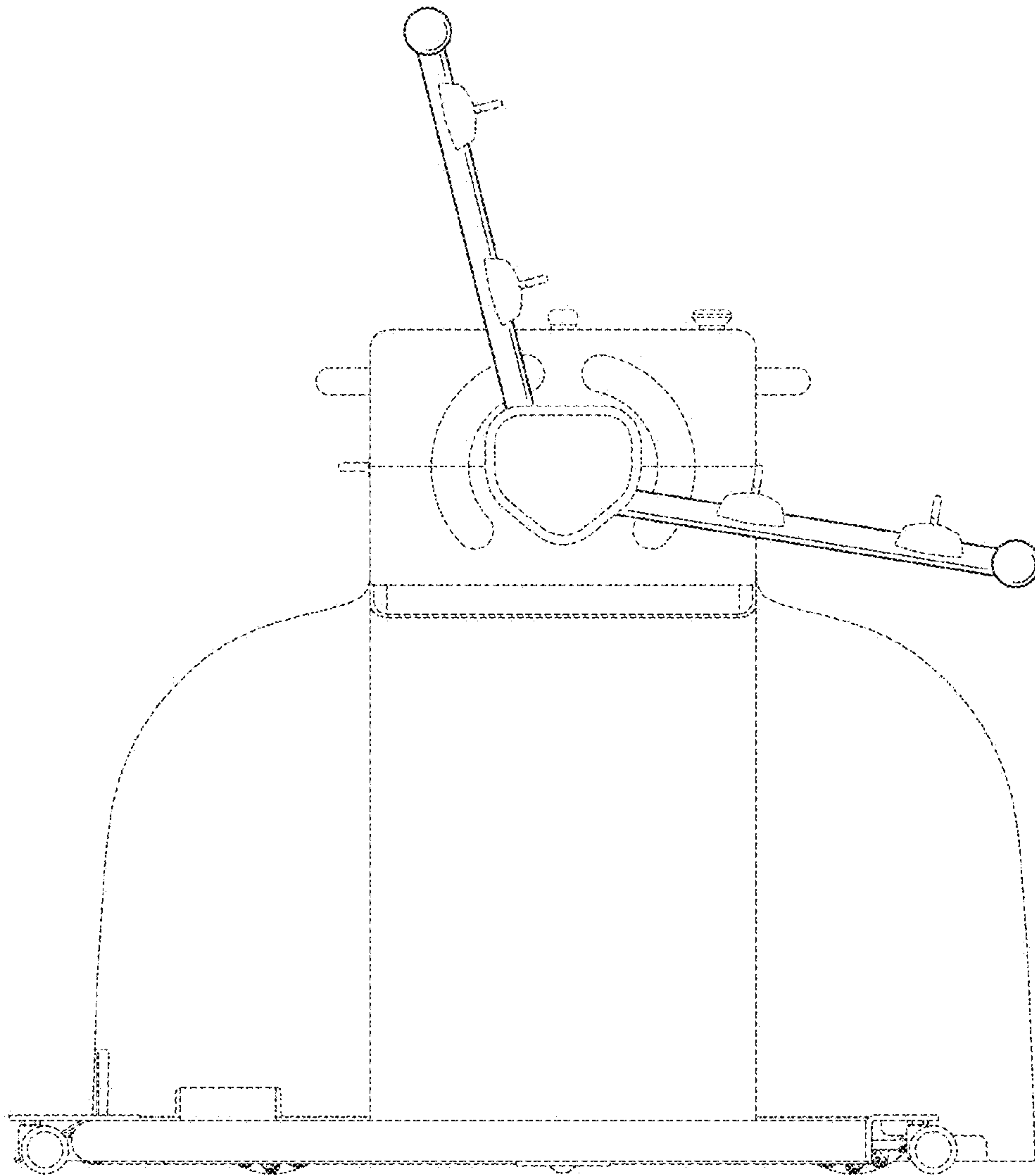


FIG. 9

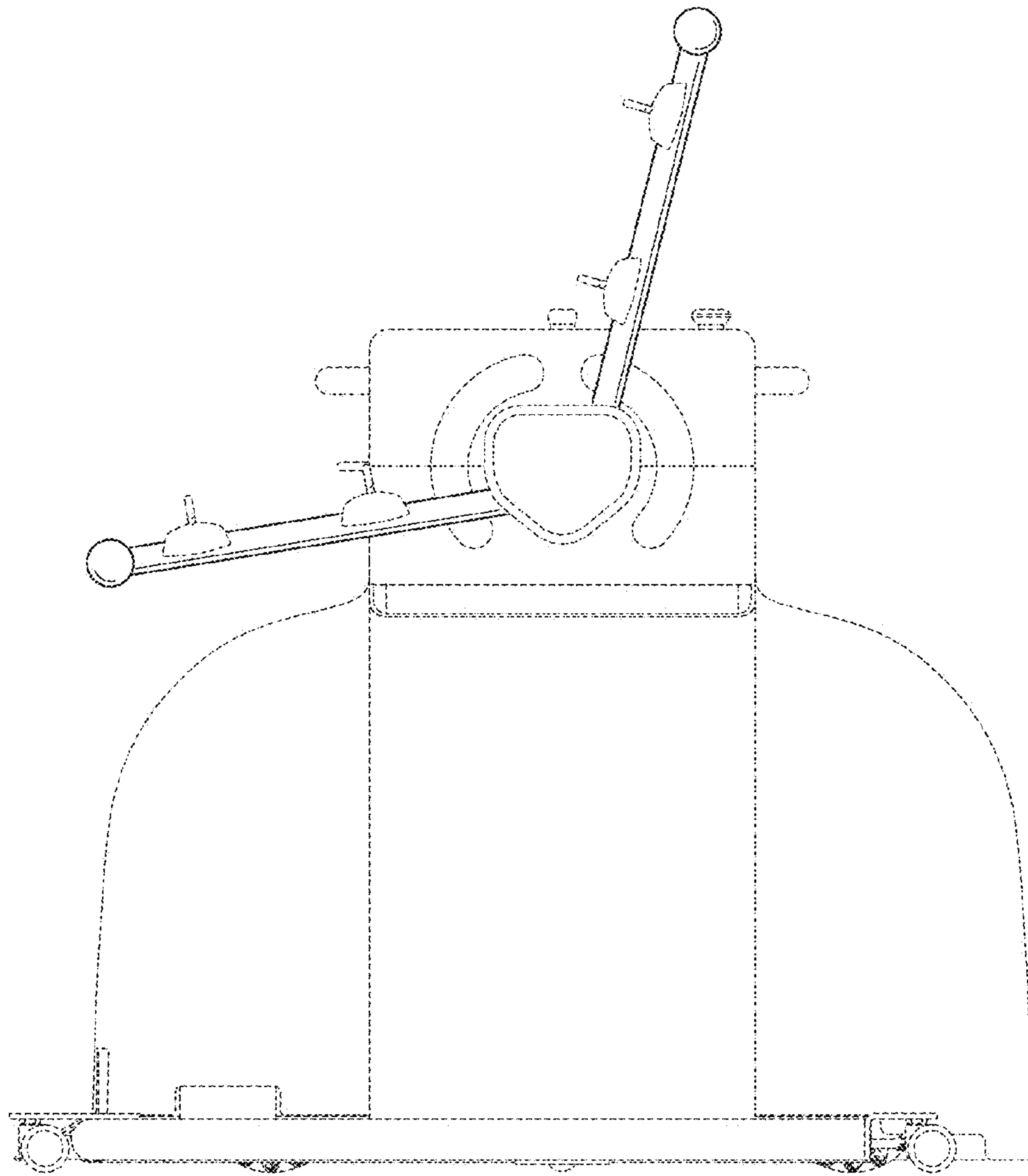


FIG. 10

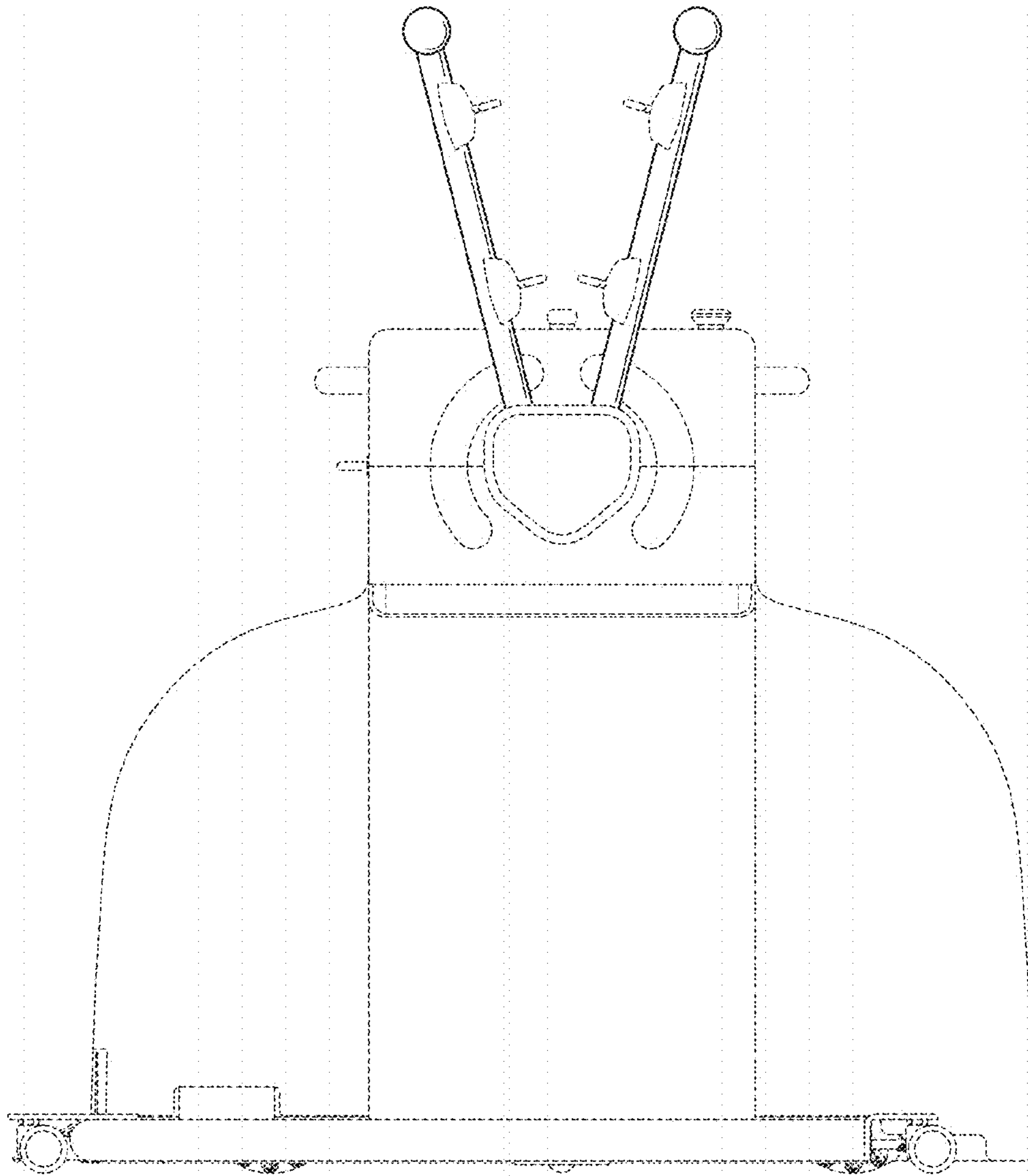


FIG. 11

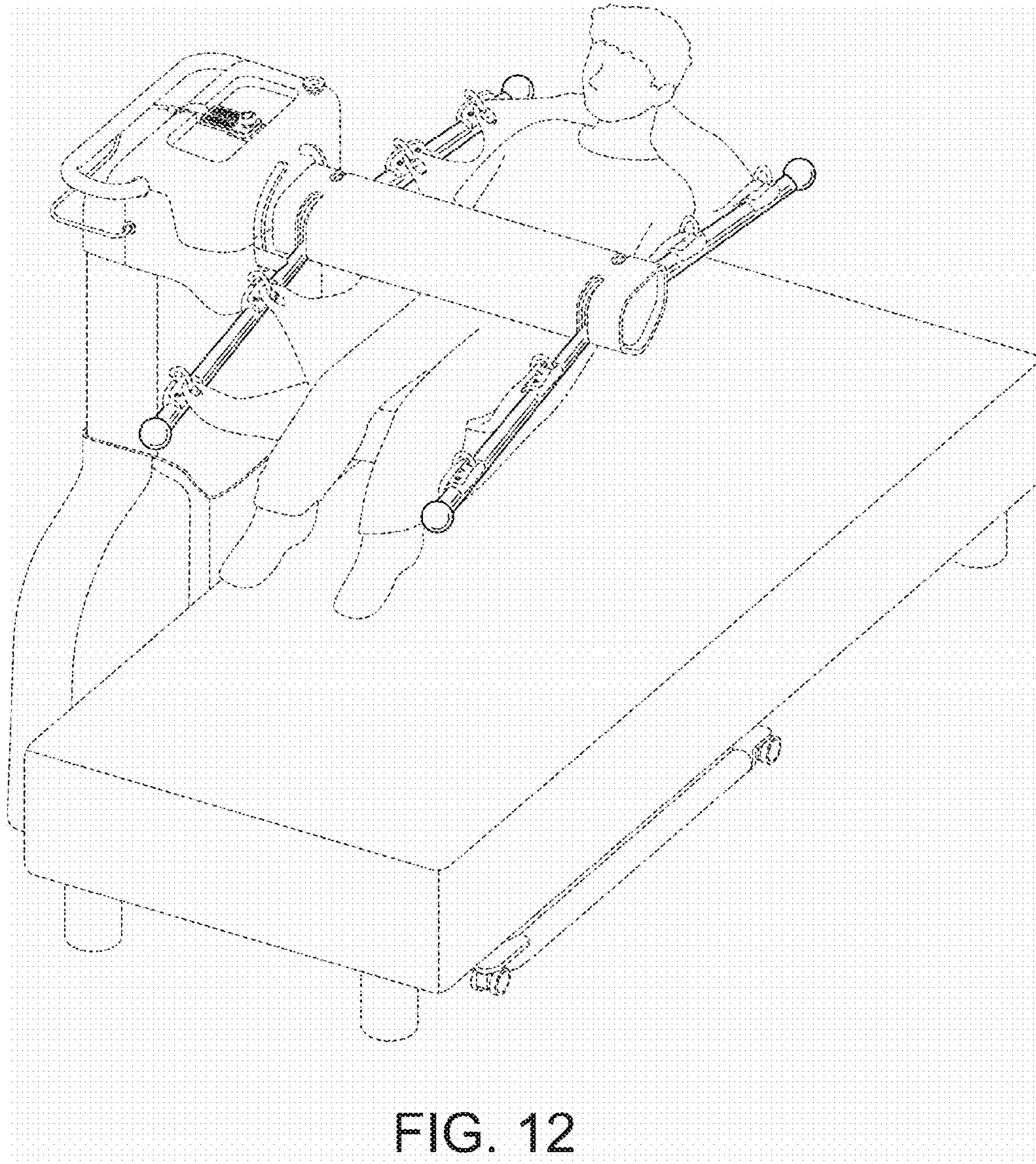
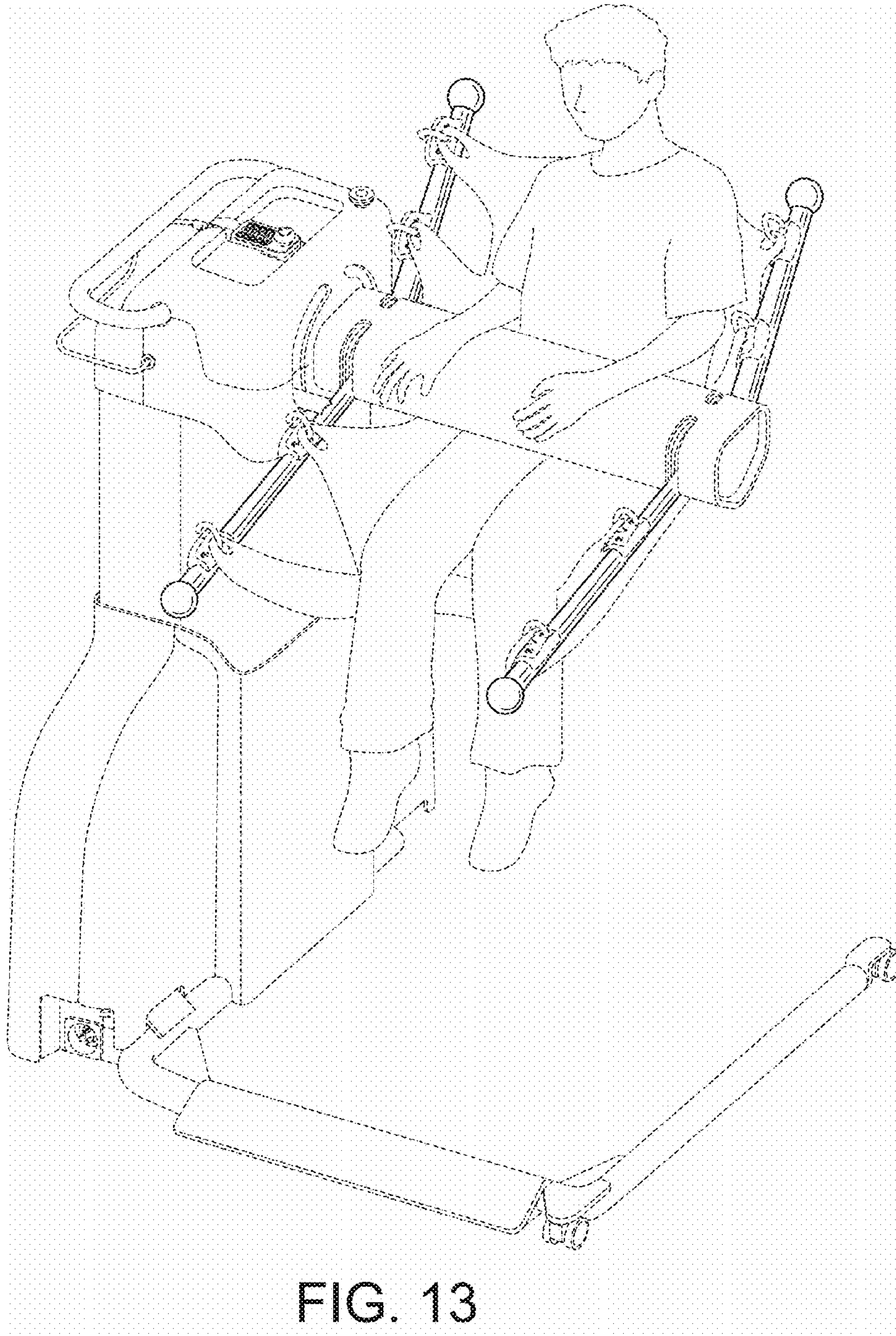


FIG. 12



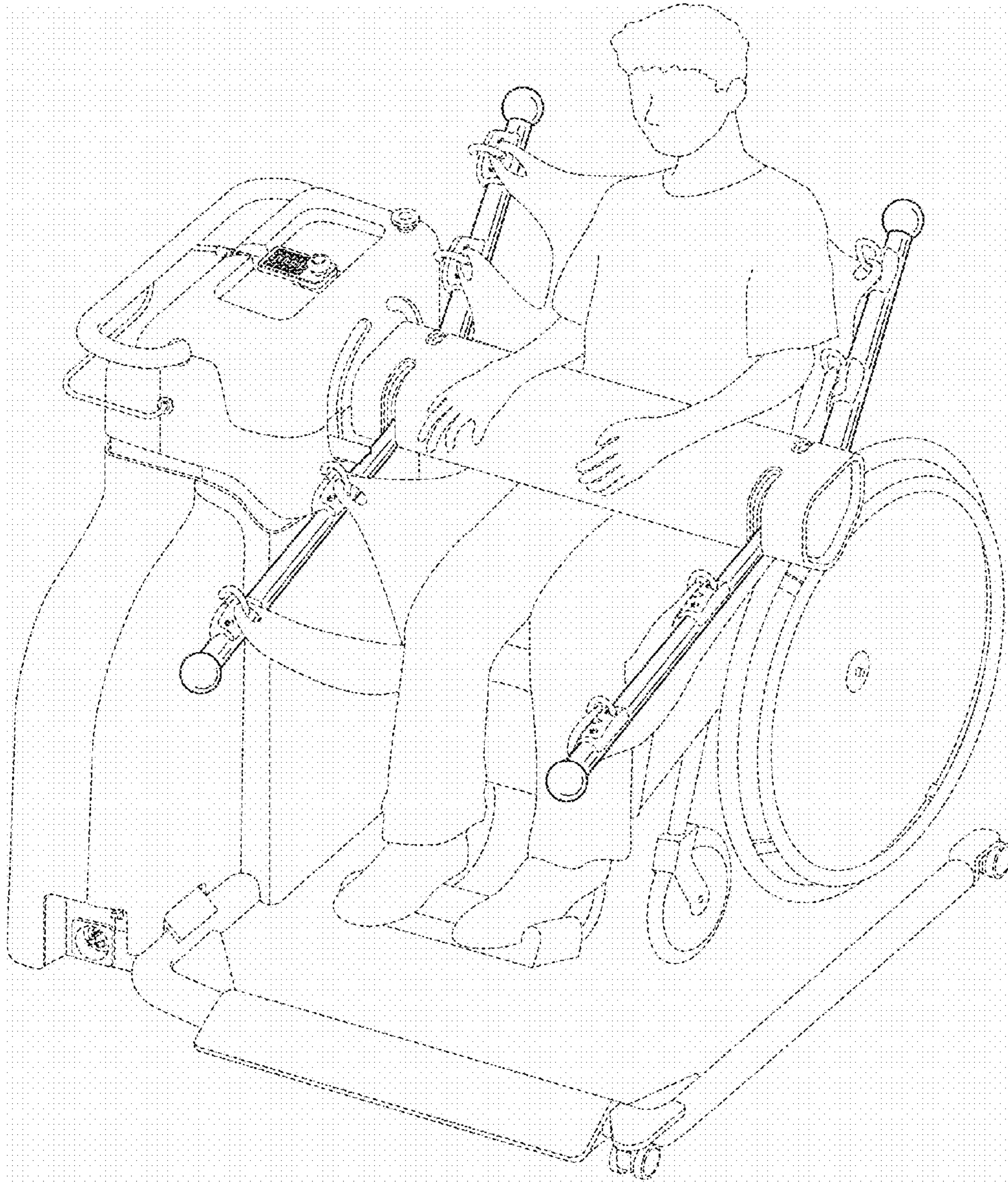


FIG. 14