



US00D745239S

(12) **United States Design Patent**  
**Yamanaka et al.**

(10) **Patent No.:** **US D745,239 S**  
(45) **Date of Patent:** **\*\* Dec. 8, 2015**

(54) **TRANSFERRING MACHINE FOR CAREGIVING**

(56) **References Cited**

(71) Applicant: **KABUSHIKI KAISHA YASKAWA DENKI**, Kitakyushu-shi (JP)

(72) Inventors: **Futoshi Yamanaka**, Fukuoka (JP); **Kenichiro Hirai**, Fukuoka (JP); **Kengo Nagamitsu**, Fukuoka (JP); **Kenshun Ishii**, Tokyo (JP); **Yuta Fukuda**, Tokyo (JP)

(73) Assignee: **KABUSHIKI KAISHA YASKAWA DENKI**, Kitakyushu-Shi (JP)

(\*\*) Term: **14 Years**

(21) Appl. No.: **29/498,199**

(22) Filed: **Jul. 31, 2014**

(30) **Foreign Application Priority Data**

Feb. 4, 2014 (JP) ..... D2014-002264

(51) **LOC (10) Cl.** ..... **12-05**

(52) **U.S. Cl.**  
USPC ..... **D34/28**

(58) **Field of Classification Search**  
USPC ..... D34/28-37; 5/81 R, 81 B, 81 C, 83, 84, 5/85, 86, 87, 88, 89, 81.1 R, 83.1, 87.1, 5/81.1, 84.1, 89.1; 187/200, 18, 8.43; 414/539-541, 678, 921, 462, 537; D12/406, 408; 254/9 C, 9 B, 122, 2 B, 254/90  
CPC . A61G 7/1046; A61G 7/1019; A61G 7/1017; A61G 7/1015; A61G 7/1036; A61G 7/10  
See application file for complete search history.

U.S. PATENT DOCUMENTS

D355,293 S *	2/1995	Parker	.....	D34/28
D376,886 S *	12/1996	Dunn	.....	D34/28
5,892,180 A *	4/1999	Carey	.....	A61G 7/1017 177/144
D434,198 S *	11/2000	Greaves	.....	D34/28
7,346,941 B1 *	3/2008	Ein	.....	A61G 7/1017 5/81.1 R
2005/0217024 A1 *	10/2005	Aarestad	.....	A61G 7/1015 5/86.1
2009/0249544 A1 *	10/2009	Palay	.....	A61G 5/14 5/83.1
2009/0307840 A1 *	12/2009	Lingegard	.....	A61G 7/1019 5/83.1
2010/0031439 A1 *	2/2010	Spidare	.....	A61G 7/1017 5/87.1
2012/0174314 A1 *	7/2012	Clement	.....	A61G 7/10 5/81.1 R
2013/0318708 A1 *	12/2013	Wang	.....	A61G 7/1003 5/87.1

\* cited by examiner

*Primary Examiner* — Cynthia Ramirez

*Assistant Examiner* — Gino Colan

(74) *Attorney, Agent, or Firm* — Mori & Ward, LLP

(57) **CLAIM**

The ornamental design for a transferring machine for caregiving, as shown and described.

**DESCRIPTION**

FIG. 1 is a front view of a transferring machine for caregiving of the present invention;  
FIG. 2 is a rear view of the transferring machine for caregiving of FIG. 1;  
FIG. 3 is a top plan view of the transferring machine for caregiving of FIG. 1;  
FIG. 4 is a bottom view of the transferring machine for caregiving of FIG. 1;  
FIG. 5 is a right side view of the transferring machine for caregiving of FIG. 1;  
FIG. 6 is a left side view of the transferring machine for caregiving of FIG. 1;

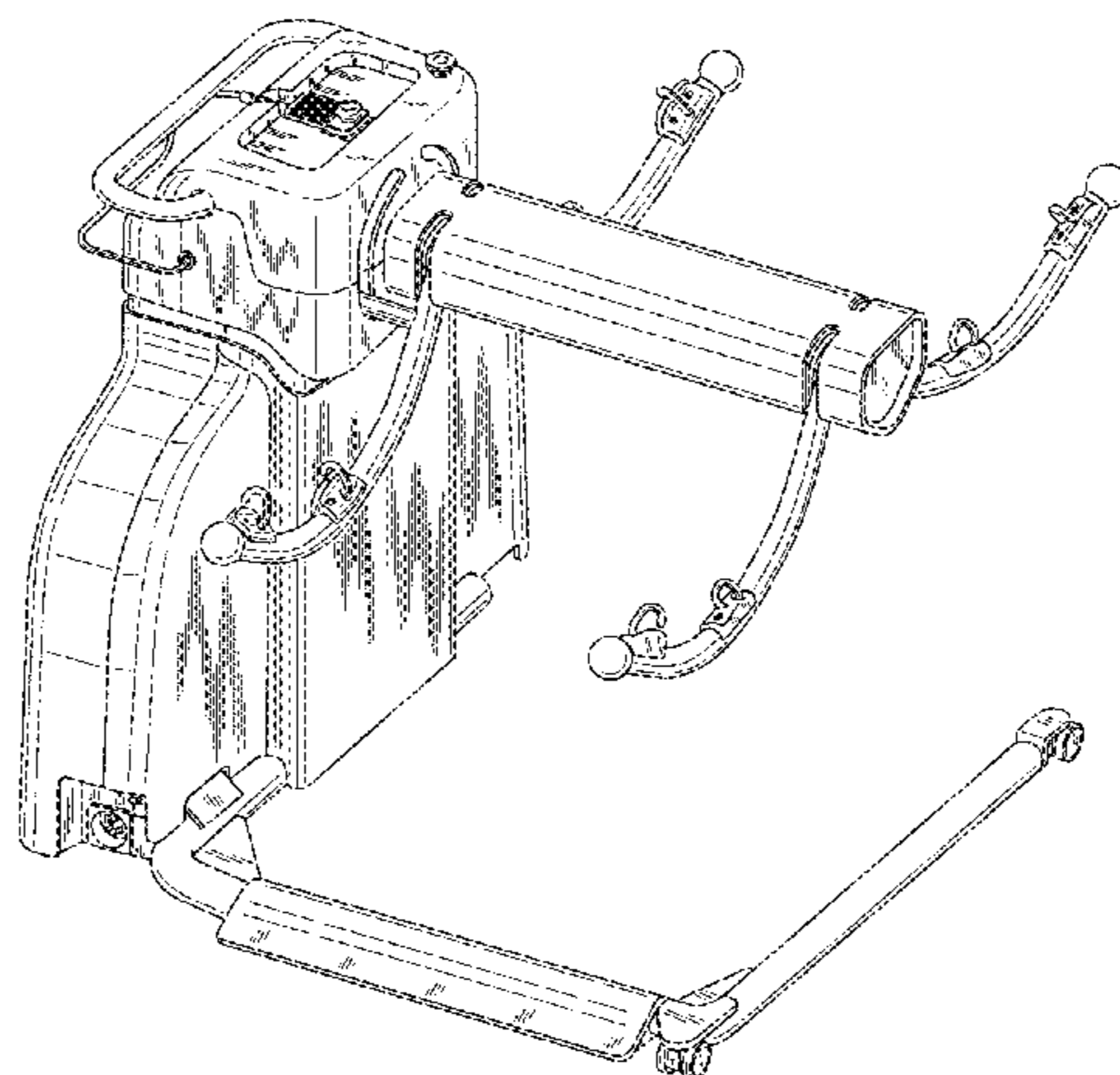


FIG. 7 is a front perspective view of the transferring machine for caregiving of FIG. 1;

FIG. 8 is a rear perspective view of the transferring machine for caregiving of FIG. 1;

FIG. 9 is a right side view of the transferring machine for caregiving of FIG. 1 with the front arms raised;

FIG. 10 is a right side view of the transferring machine for caregiving of FIG. 1 with the rear arms raised;

FIG. 11 is a right side view of the transferring machine for caregiving of FIG. 1 with the front and rear arms raised;

FIG. 12 is an enlarged, partial view of the transferring machine for caregiving of FIG. 1 with the partial view defined by lines 1-1 and 2-2 shown in FIG. 3;

FIG. 13 is a front perspective view of the transferring machine for caregiving of FIG. 1 with the header elevated;

FIG. 14 is a left side view of the transferring machine for caregiving of FIG. 1 with the header elevated;

FIG. 15 is a first perspective view of the transferring machine for caregiving of FIG. 1, in use;

FIG. 16 is a second perspective view of the transferring machine for caregiving of FIG. 1, in use; and,

FIG. 17 is a third perspective view of the transferring machine for caregiving of FIG. 1, in use.

The features shown in broken lines depict environmental subject matter only and form no part of the claimed design.

**1 Claim, 17 Drawing Sheets**

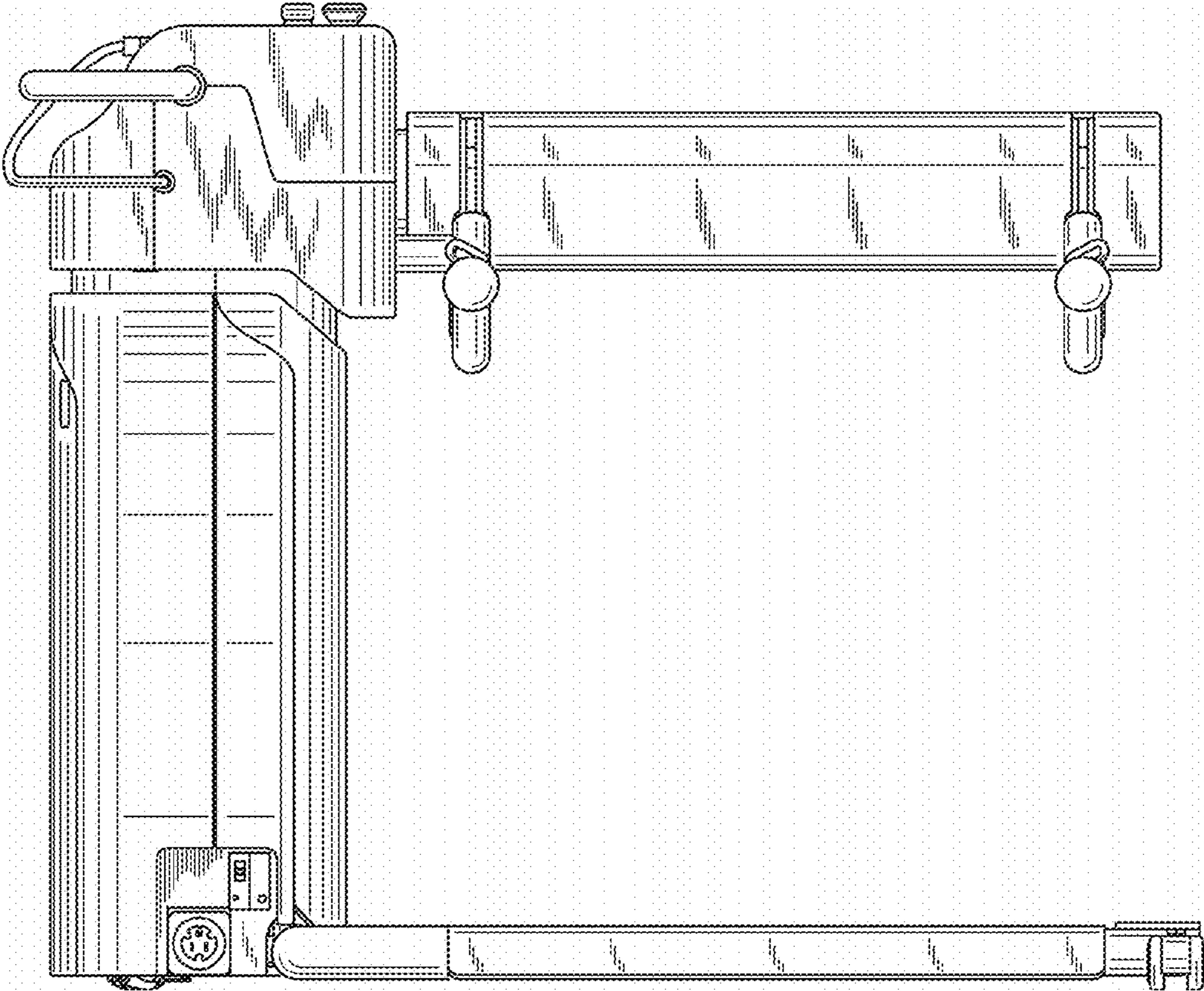


FIG. 1



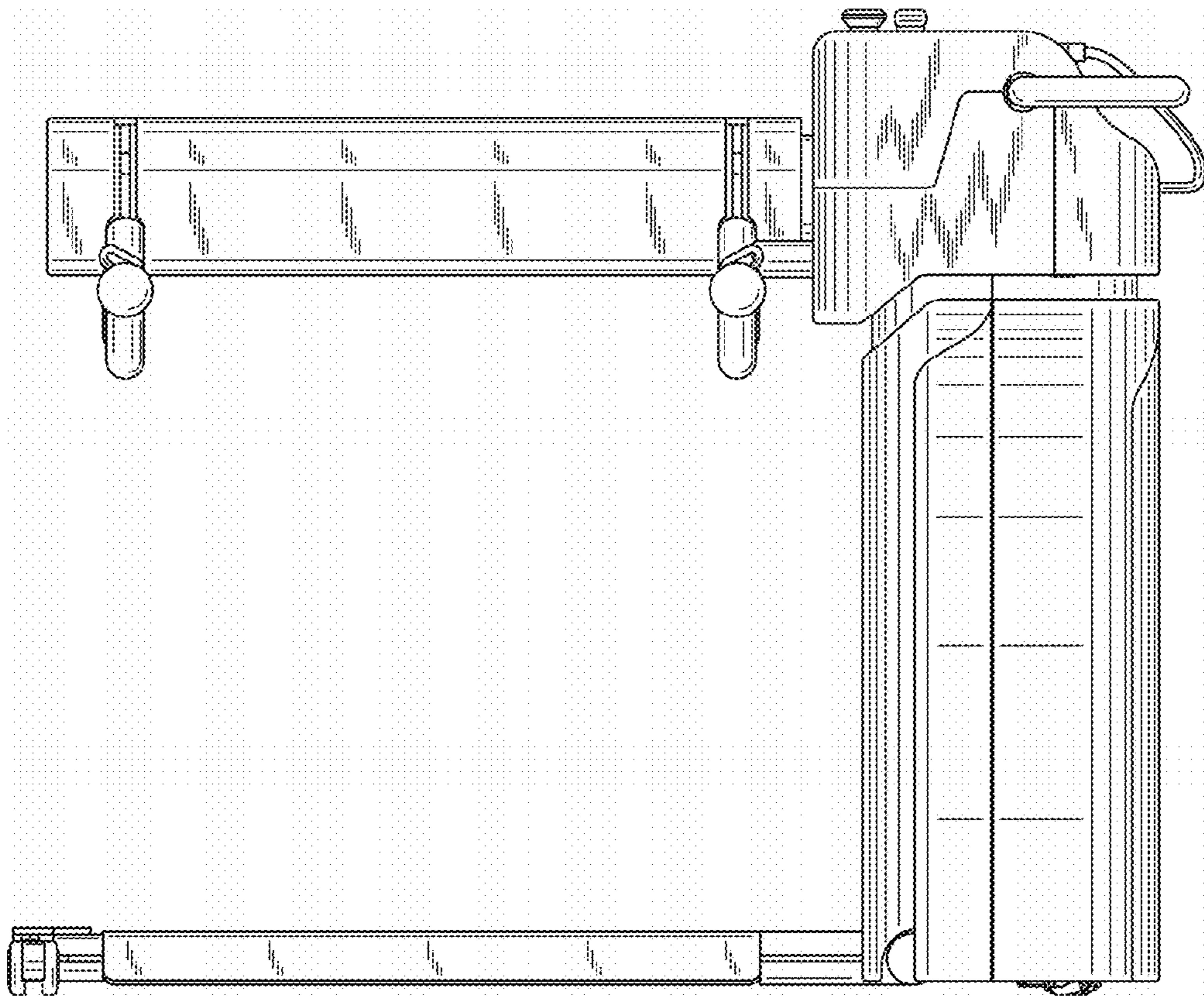


FIG. 2

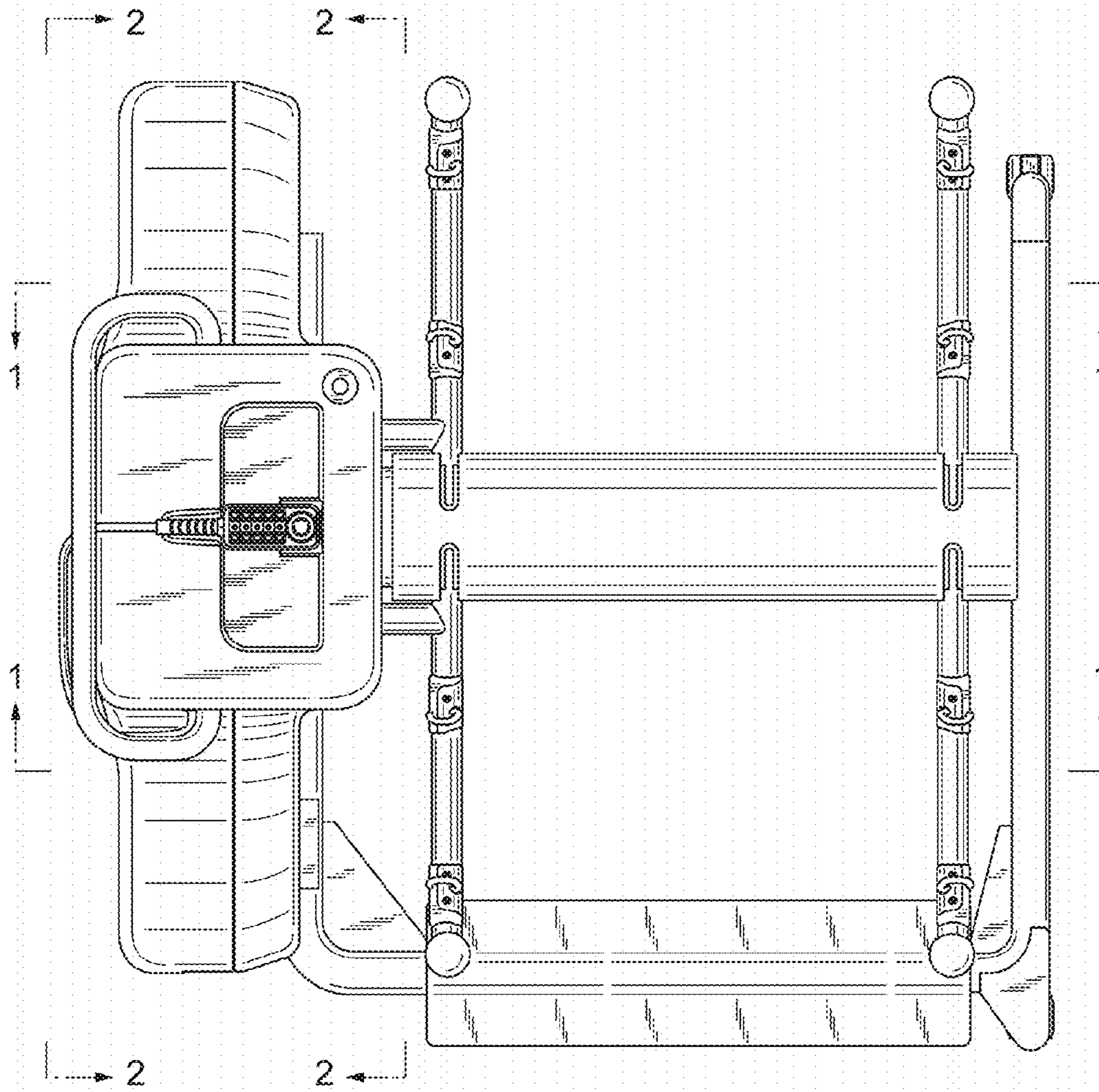


FIG. 3

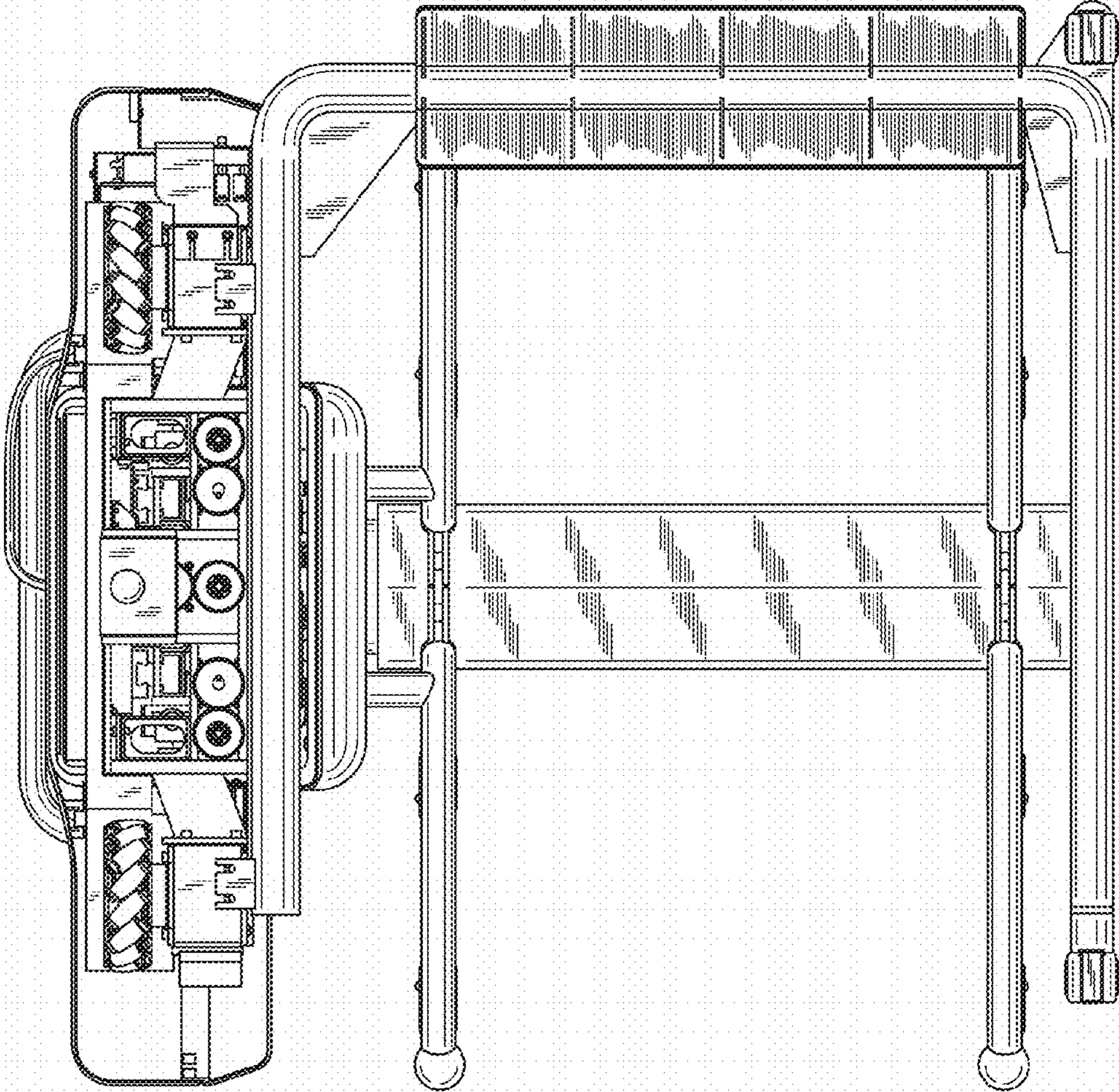


FIG. 4



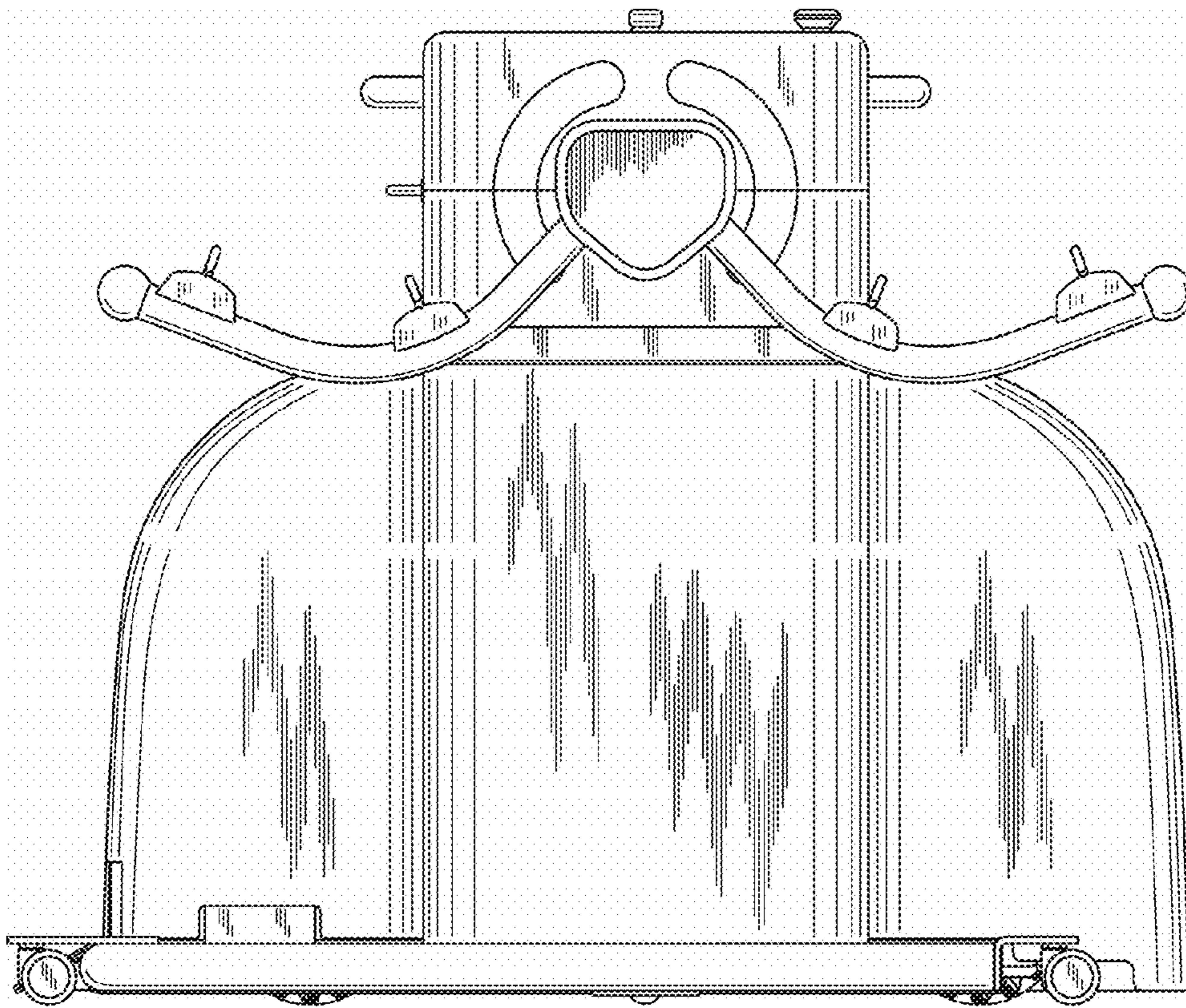


FIG. 5

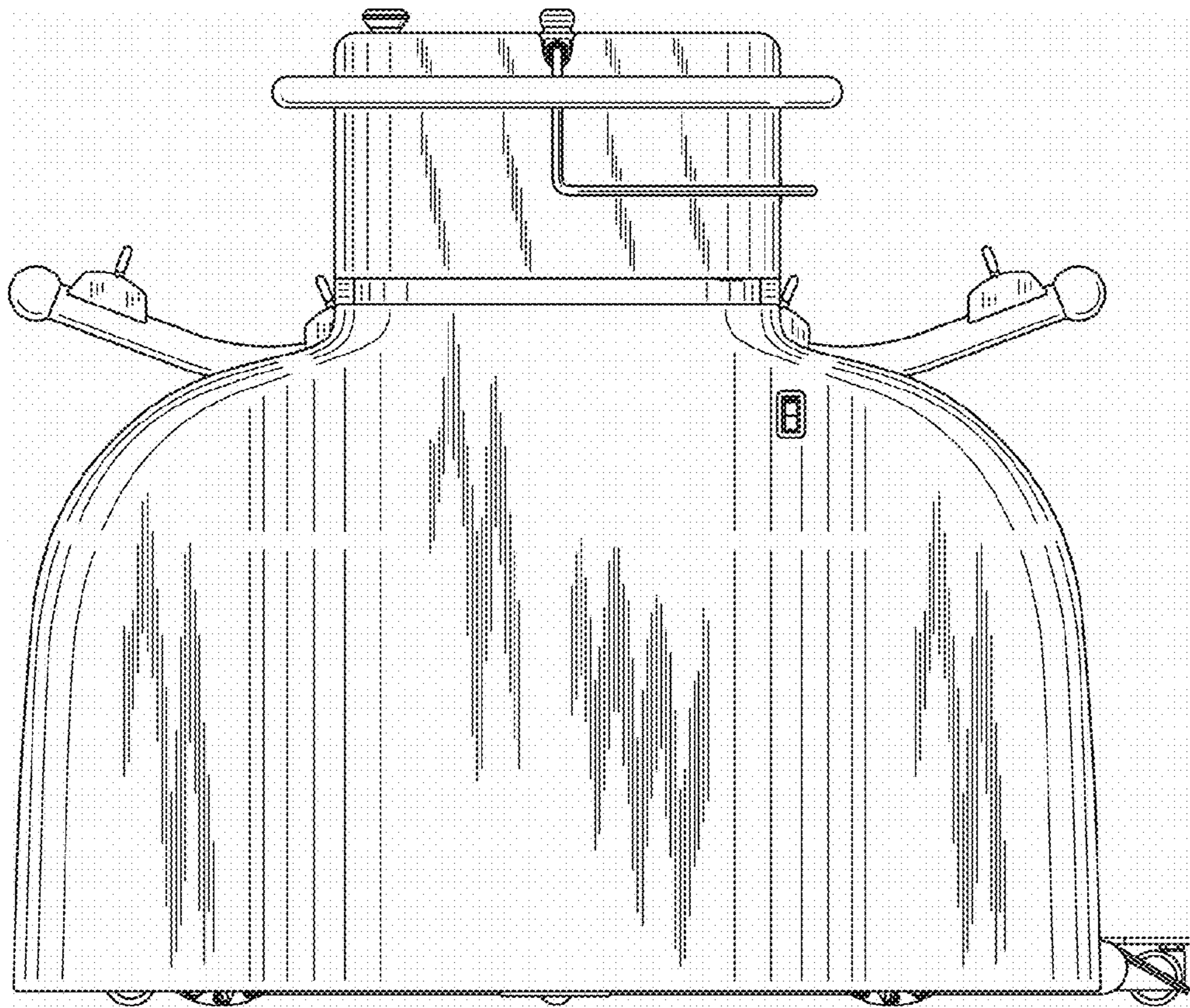
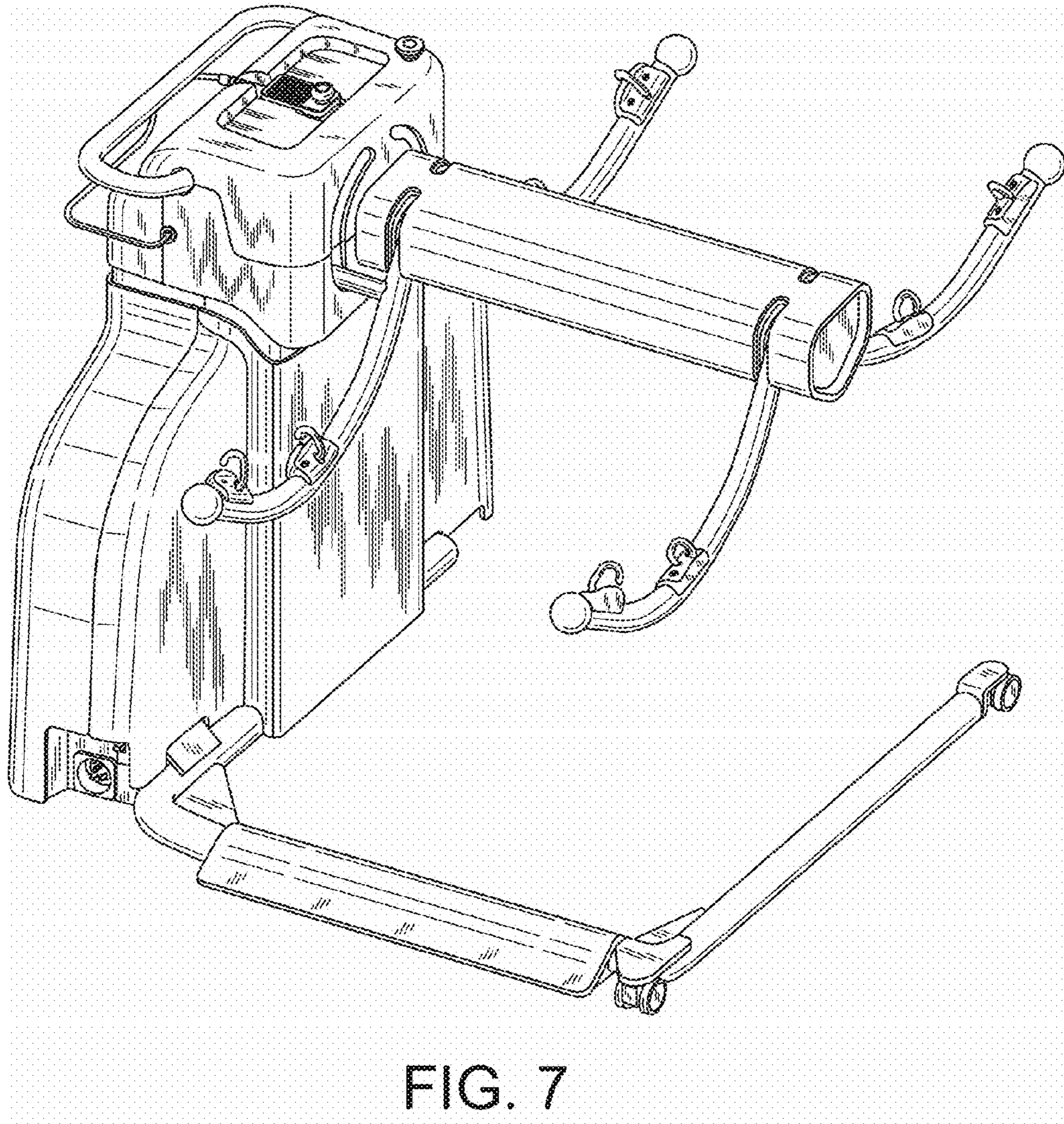


FIG. 6





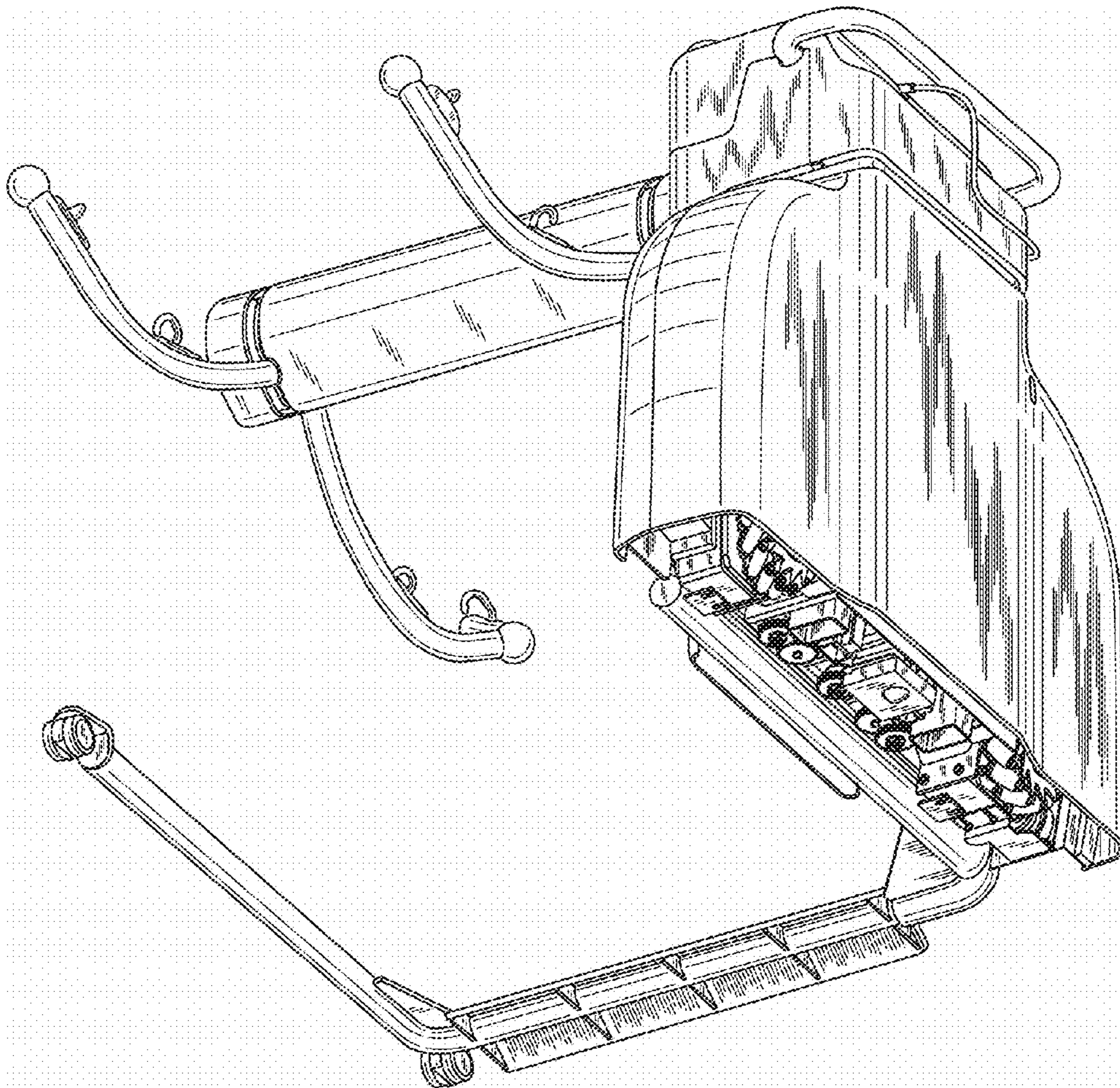


FIG. 8



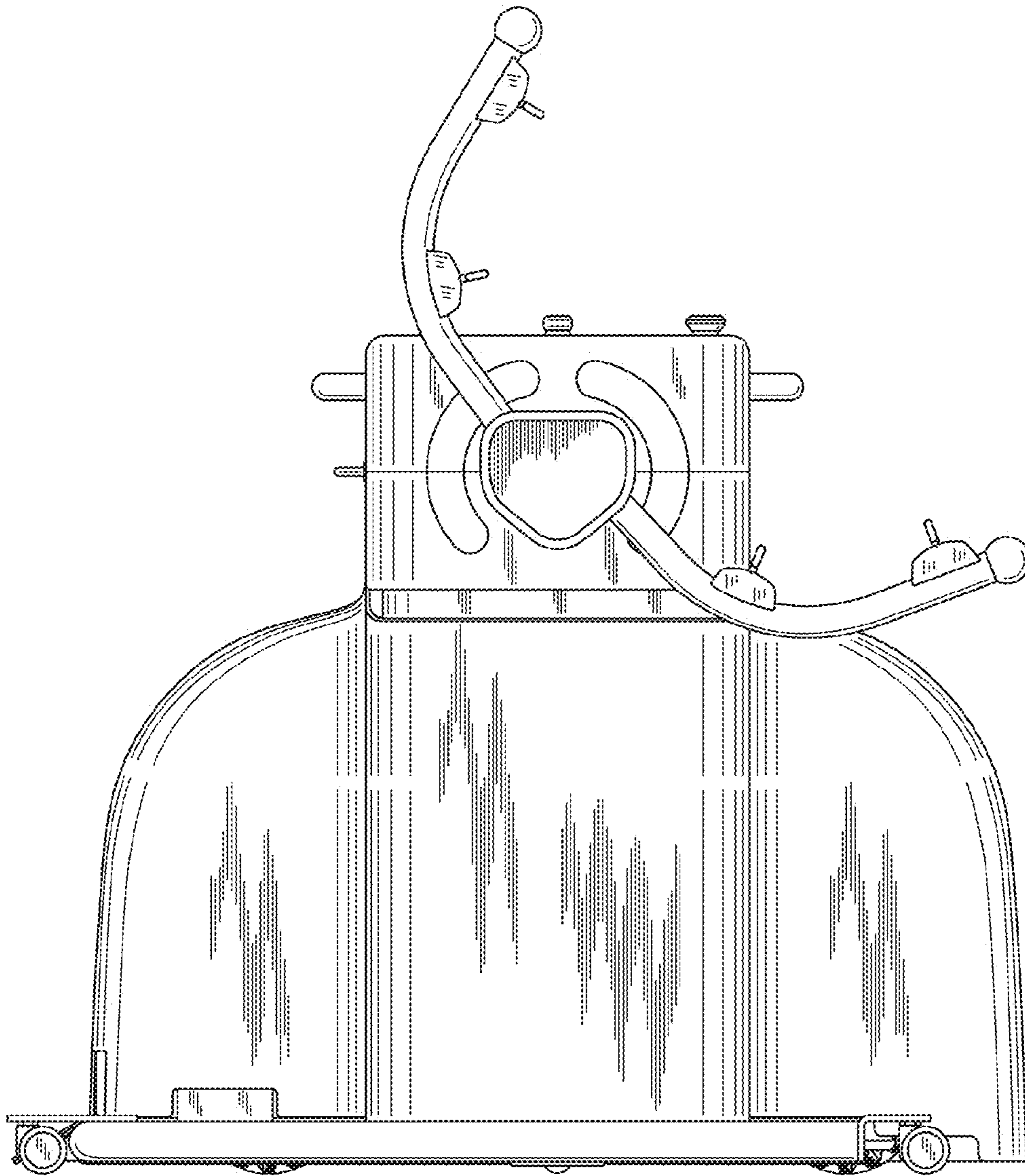


FIG. 9



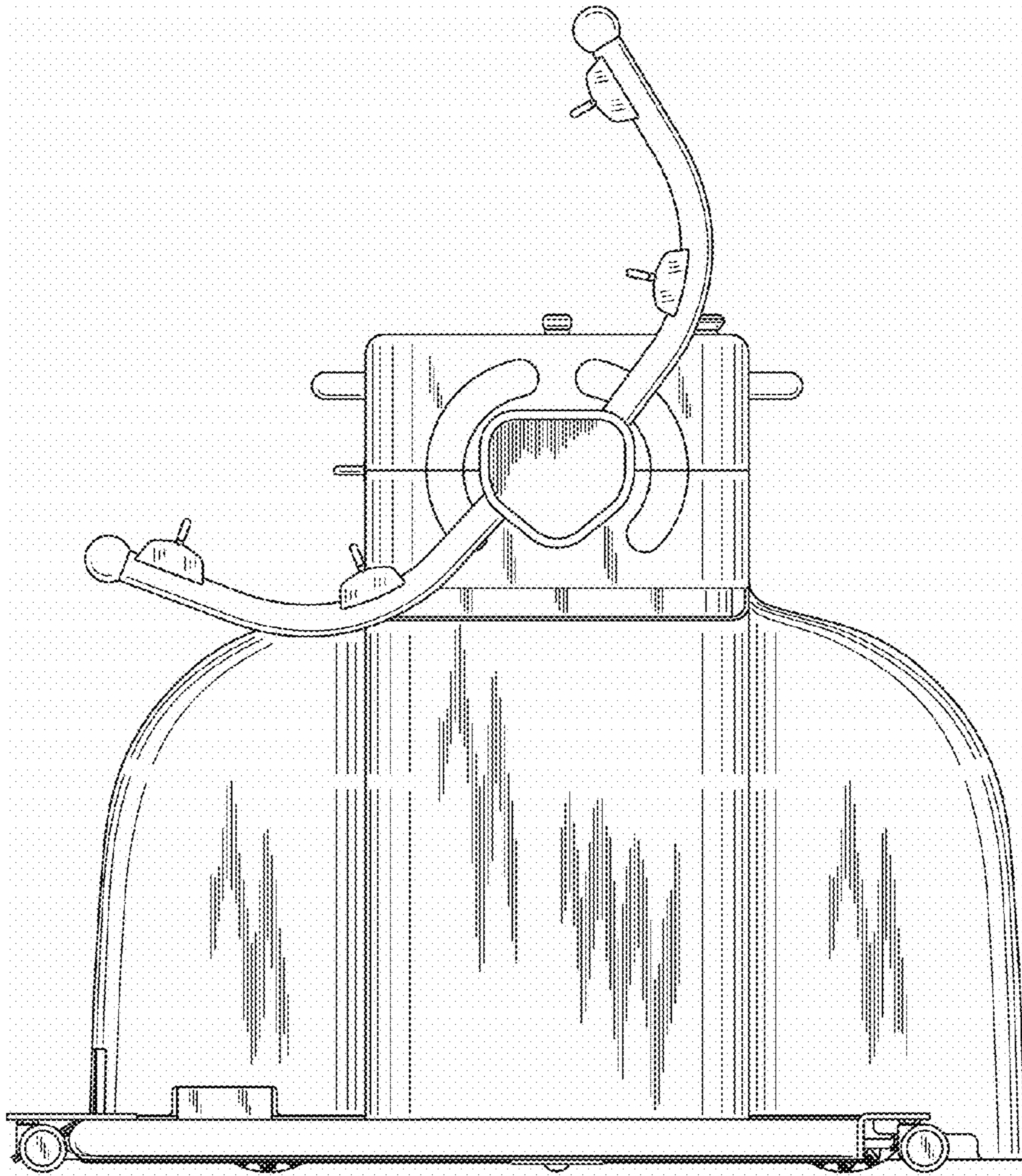


FIG. 10

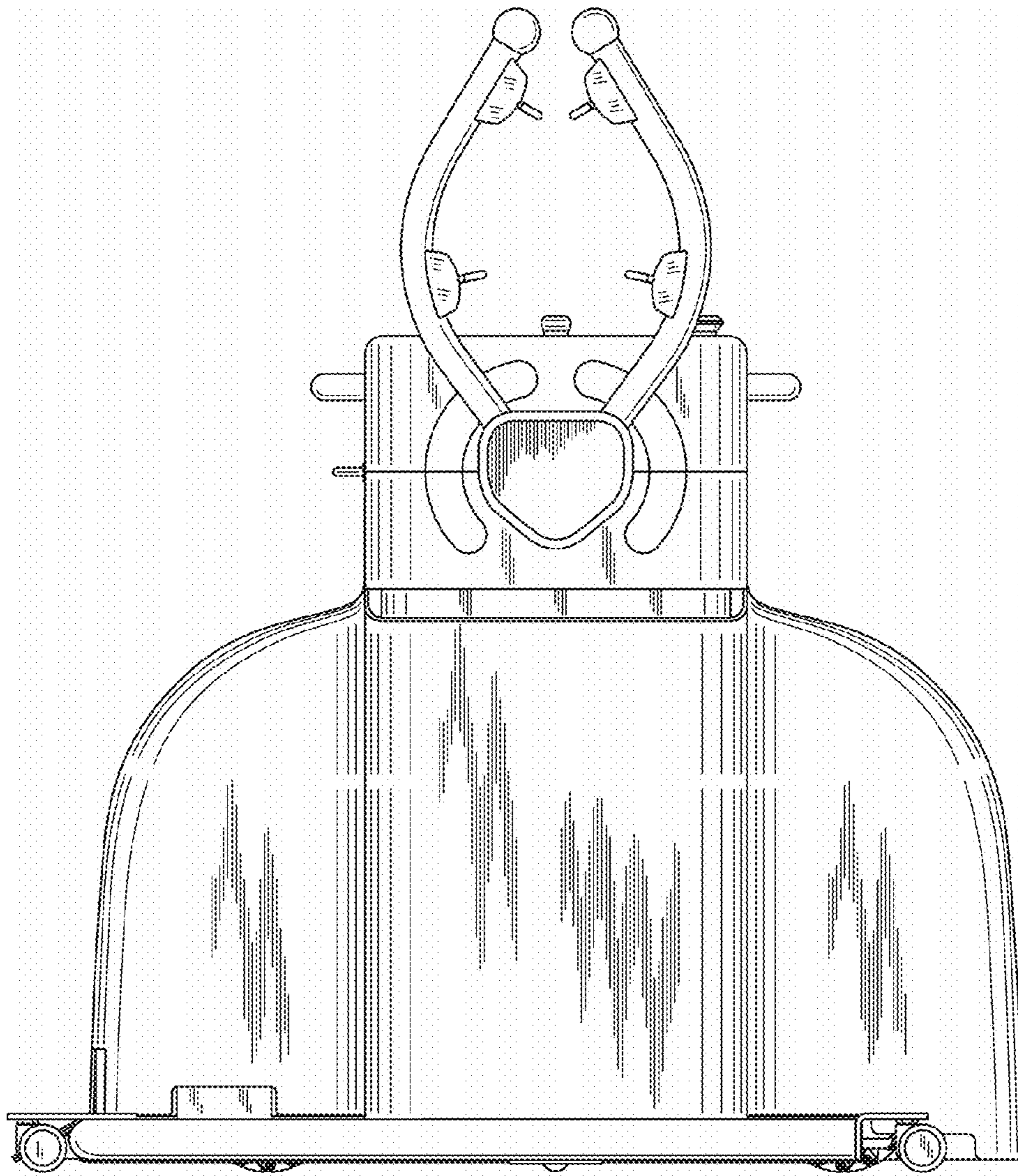


FIG. 11

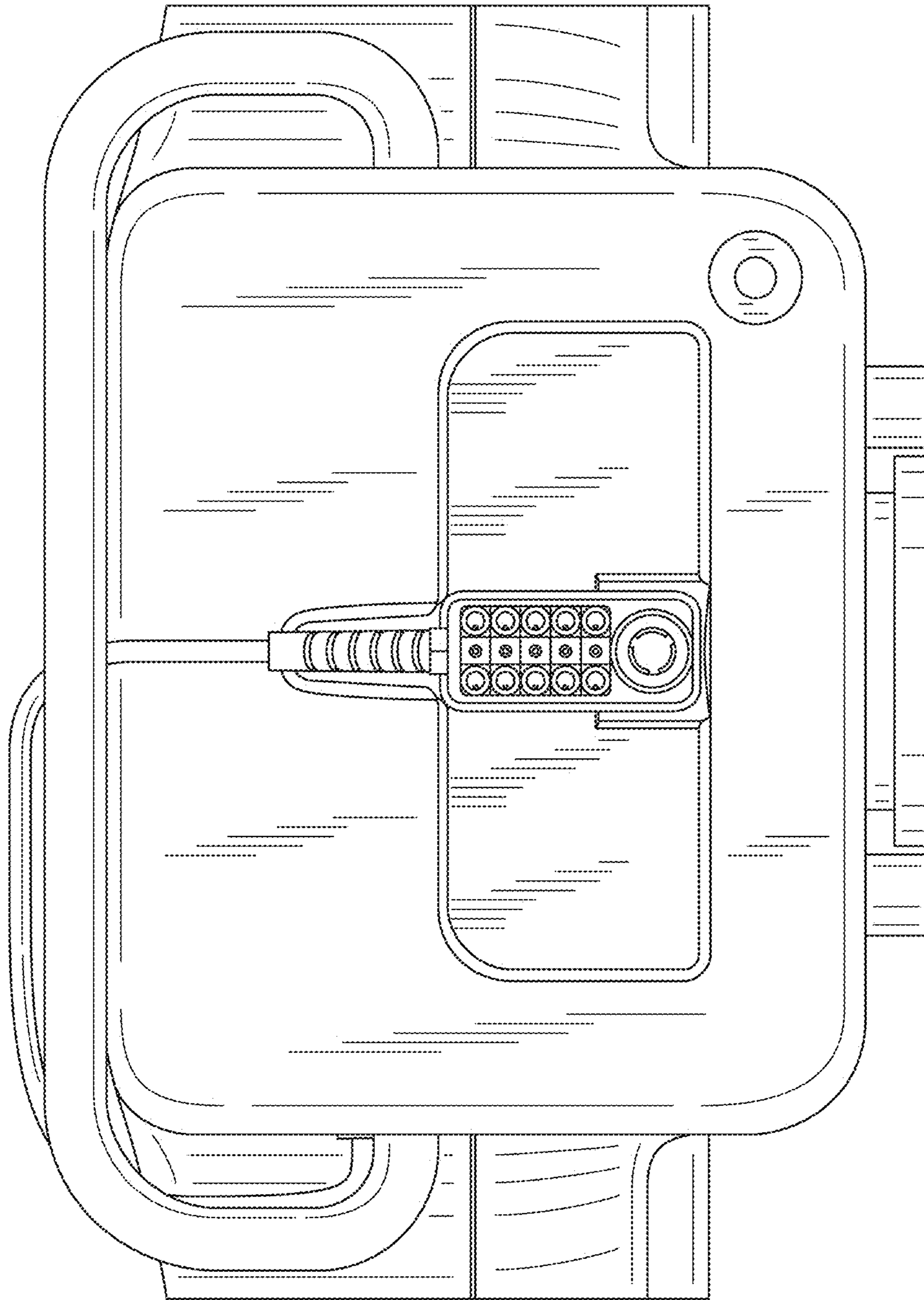


FIG. 12



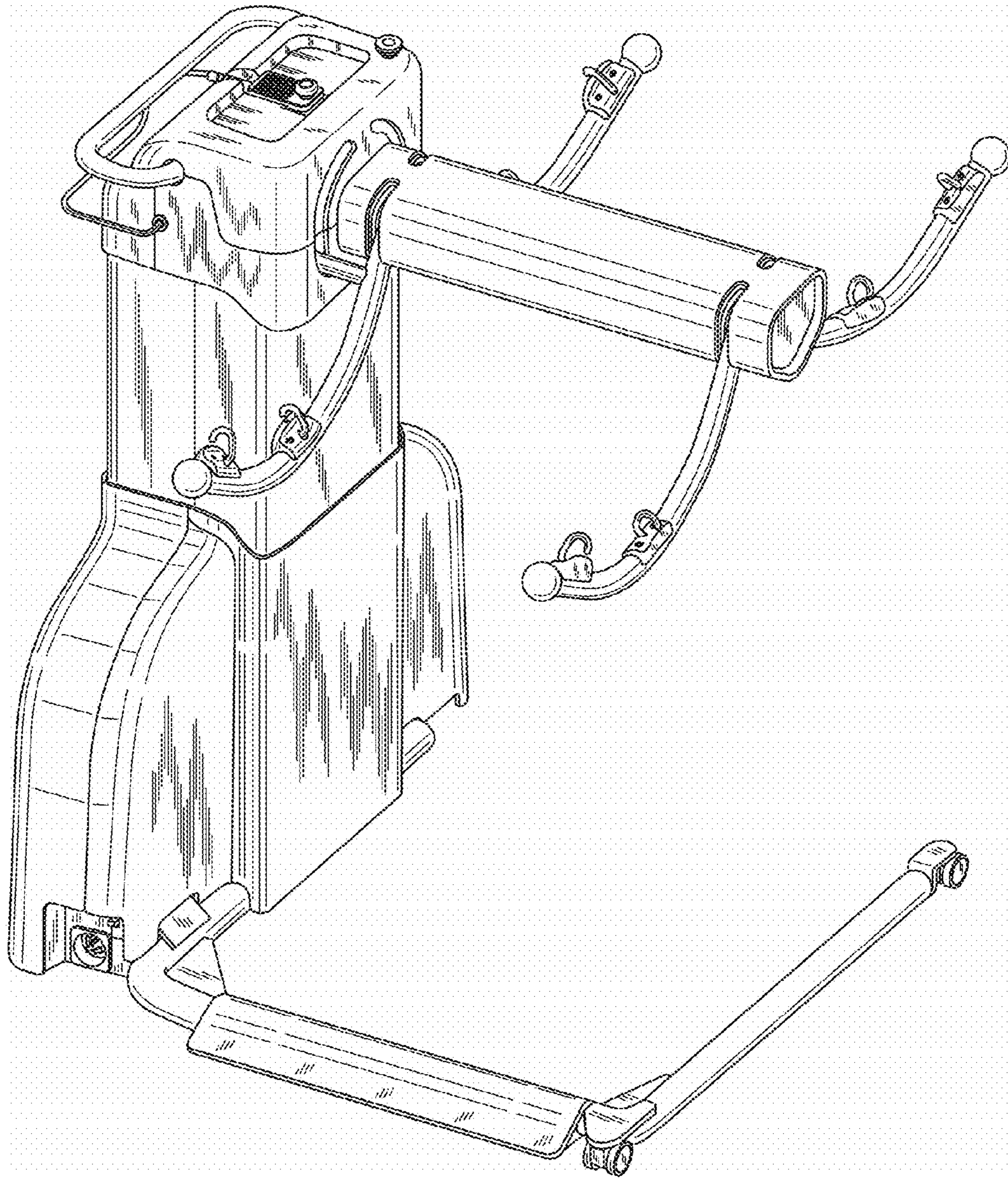


FIG. 13

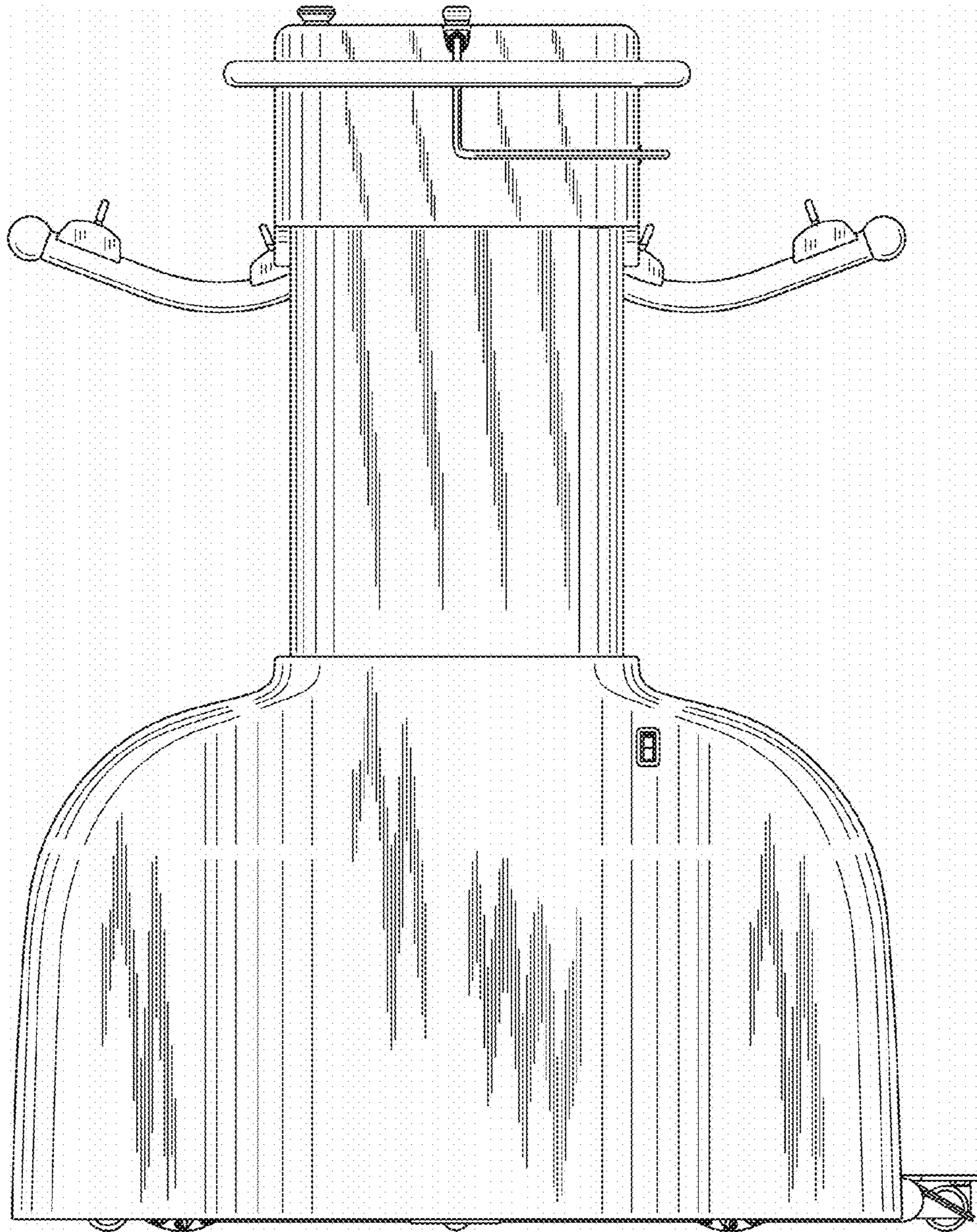


FIG. 14

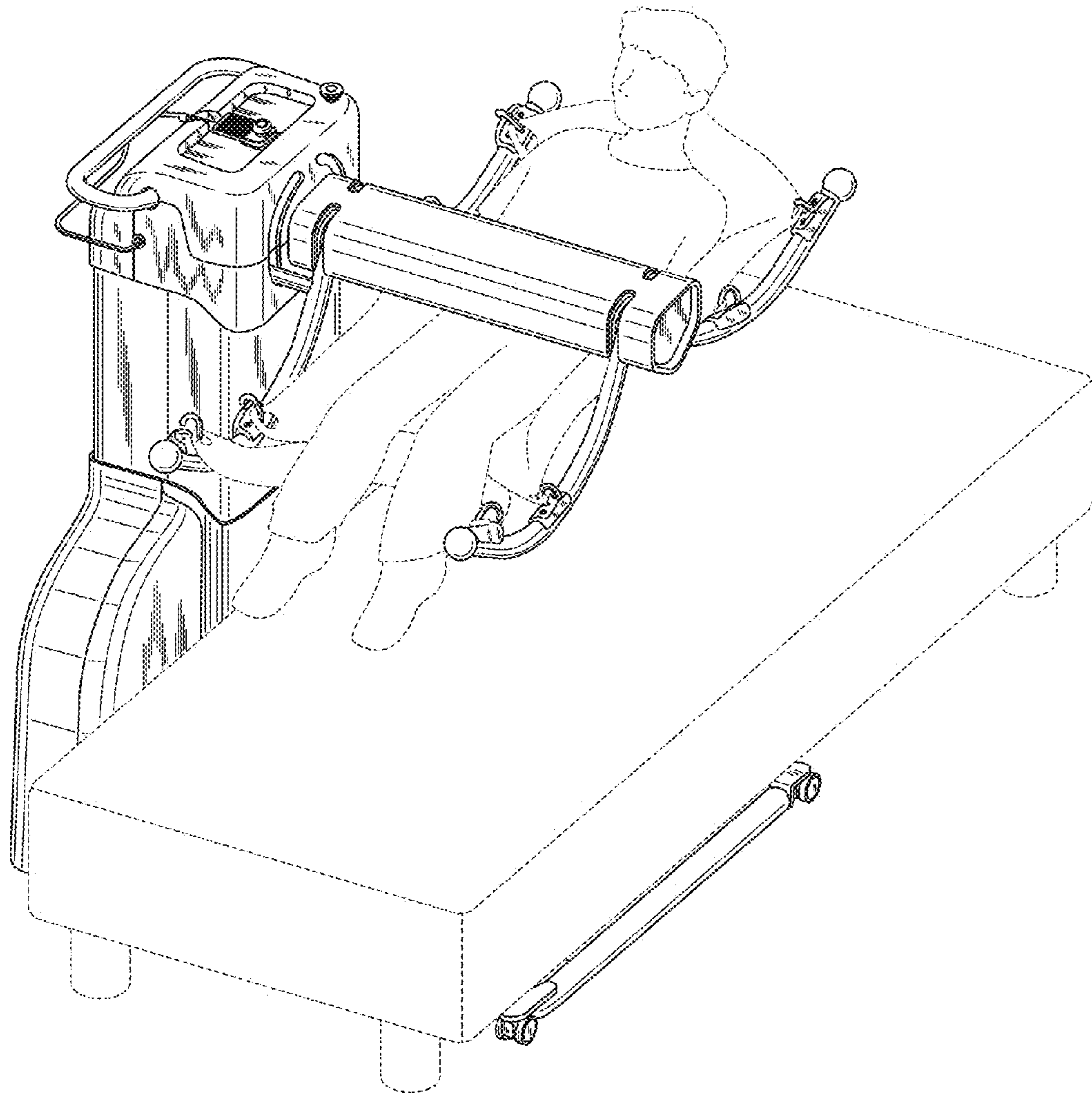


FIG. 15



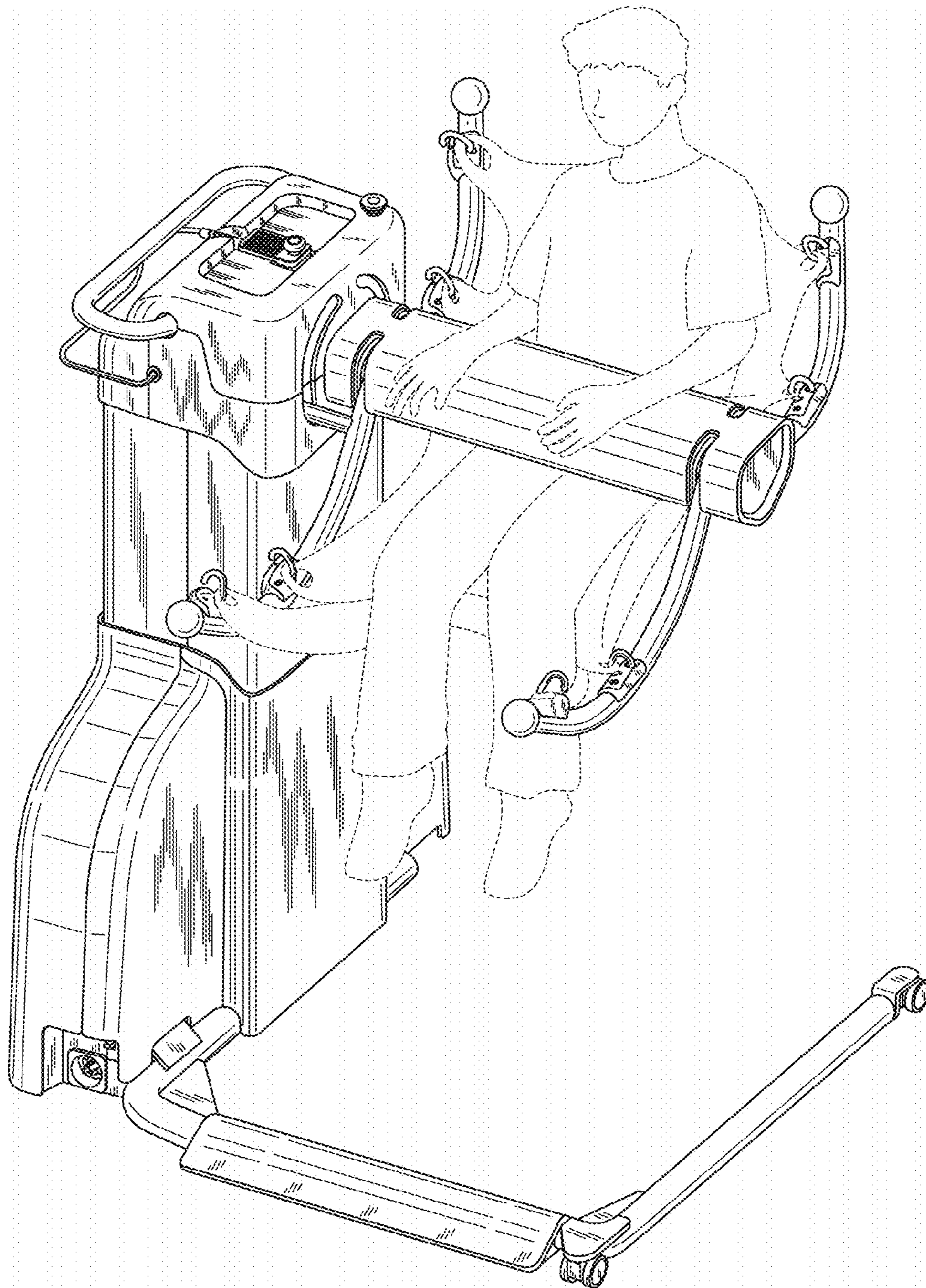


FIG. 16

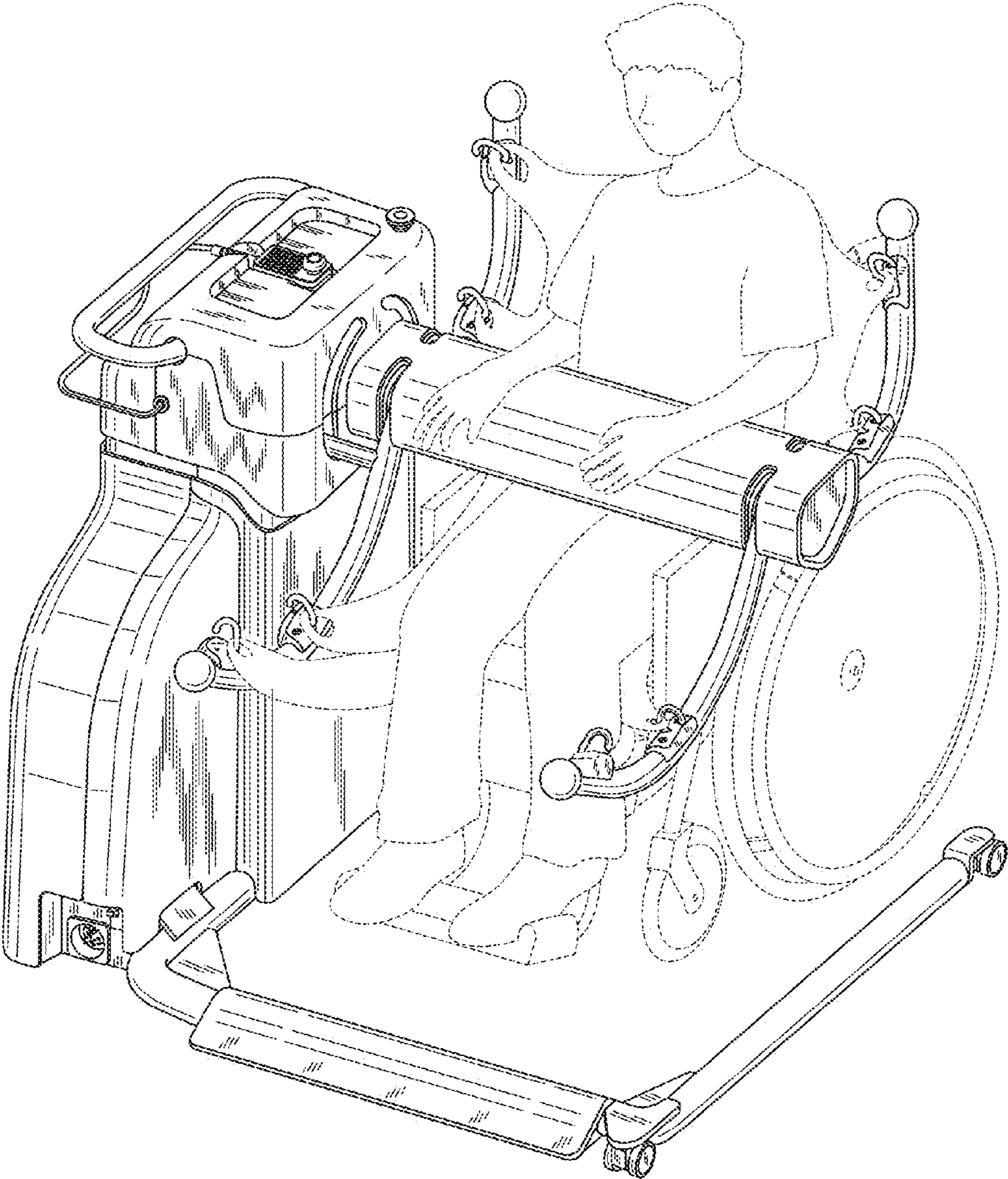


FIG. 17