



US00D745230S

(12) **United States Design Patent**
Rutkowski et al.

(10) **Patent No.:** **US D745,230 S**

(45) **Date of Patent:** **** Dec. 8, 2015**

- (54) **CABLE COUPLING**
- (71) Applicant: **Ridge Tool Company**, Elyria, OH (US)
- (72) Inventors: **Michael J. Rutkowski**, Brunswick, OH (US); **Jon R. Dunkin**, Elyria, OH (US); **Hugh Morris**, Orange, VA (US)
- (73) Assignee: **RIDGE TOOL COMPANY**, Elyria, OH (US)
- (**) Term: **14 Years**
- (21) Appl. No.: **29/468,945**
- (22) Filed: **Oct. 4, 2013**
- (51) **LOC (10) Cl.** **15-05**
- (52) **U.S. Cl.**
USPC **D32/14**
- (58) **Field of Classification Search**
USPC D32/14, 25, 35, 45; 15/104.31, 104.33, 15/104.05, 104.062; 4/255.01; D8/382; 403/316, 317
CPC E03F 9/002; E03F 9/005; B08B 9/045; F16C 1/08
See application file for complete search history.

4,188,683	A *	2/1980	Klunder	15/104.33
4,403,885	A *	9/1983	Babb	403/317
D289,575	S *	4/1987	Schneider	D32/14
4,802,783	A	2/1989	Erikson		
4,887,929	A *	12/1989	Hale	403/328
4,919,558	A *	4/1990	Mascitelli et al.	403/9
5,464,301	A *	11/1995	Kramer	403/322.3
5,618,123	A *	4/1997	Pulse	403/2
D425,677	S *	5/2000	Williamson	D32/25
6,655,228	B1 *	12/2003	Margherio et al.	74/424.81
6,760,948	B2	7/2004	Schmitt		
8,376,340	B2 *	2/2013	Sandmeier	269/95
2003/0231927	A1 *	12/2003	Hale	403/349
2010/0132143	A1 *	6/2010	Flamand	15/104.33
2011/0182656	A1 *	7/2011	Babb	403/265
2012/0110761	A1 *	5/2012	Ripperger et al.	15/104.05
2015/0020725	A1 *	1/2015	Taylor	114/230.1
2015/0104241	A1 *	4/2015	Spelich et al.	403/62
2015/0105163	A1 *	4/2015	Rutkowski et al.	464/110

* cited by examiner

Primary Examiner — Derrick Holland

Assistant Examiner — Jennifer O King

(74) *Attorney, Agent, or Firm* — Mark E. Bandy; Rankin, Hill & Clark LLP

(57) **CLAIM**

The ornamental design for a cable coupling, as shown and described.

DESCRIPTION

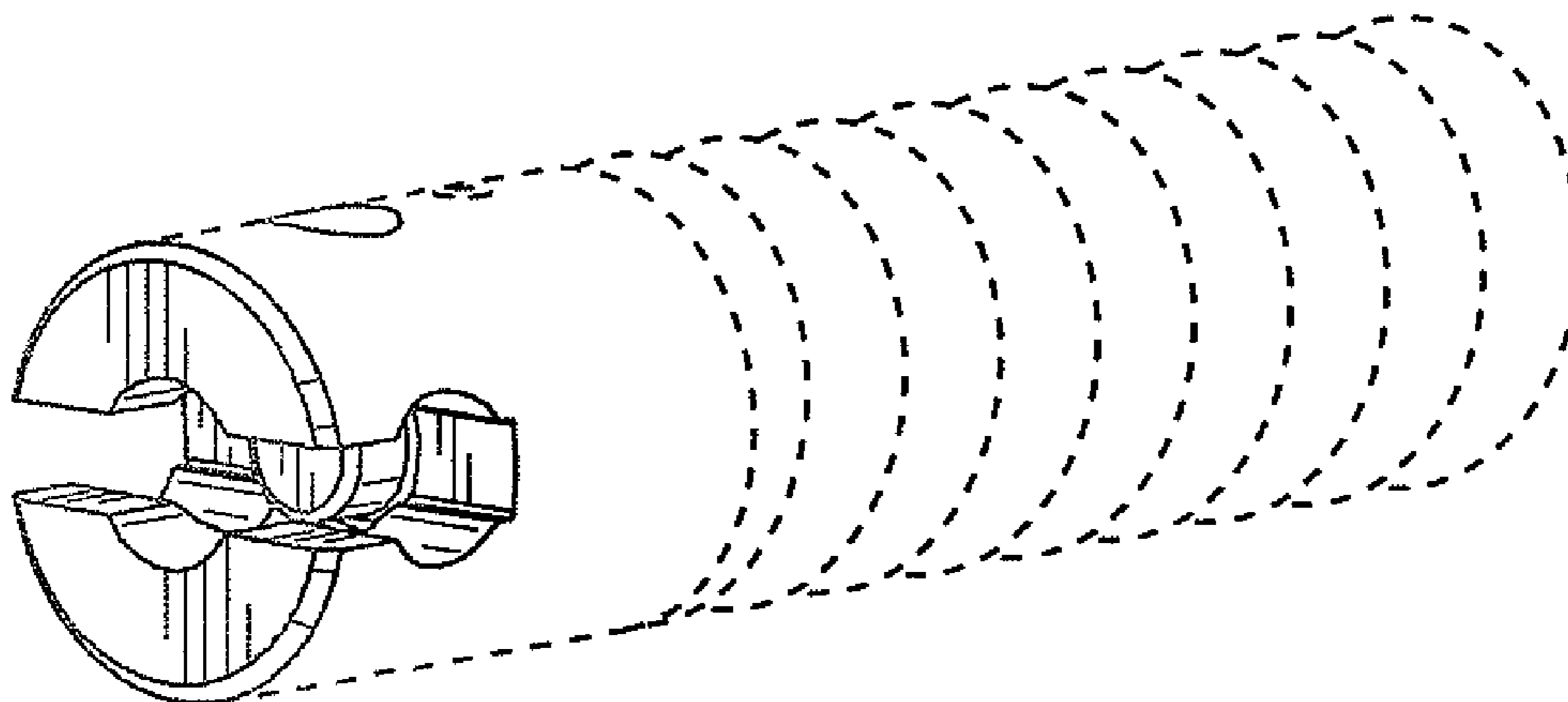
FIG. 1 is a front right perspective view of a cable coupling; FIG. 2 is a right side view thereof; FIG. 3 is a left side view thereof; FIG. 4 is a front elevational view thereof; FIG. 5 is a top plan view thereof; FIG. 6 is a bottom plan view thereof; and, FIG. 7 is a rear elevational view thereof. The broken lines shown represent unclaimed subject matter and form no part of the claimed design.

1 Claim, 3 Drawing Sheets

(56) **References Cited**

U.S. PATENT DOCUMENTS

881,075	A *	3/1908	Hosking	408/139
1,523,754	A *	1/1925	Chippeaux	15/104.05
2,169,543	A	8/1939	Sullivan		
2,557,119	A	6/1951	Kjerulff		
2,769,191	A	11/1956	Hunt et al.		
2,880,435	A *	4/1959	Deutsch et al.	15/104.33
2,901,258	A *	8/1959	Brandafi	279/97
2,960,851	A *	11/1960	Ciaccio	464/57
3,118,159	A *	1/1964	Kollmann	15/104.33
3,397,420	A *	8/1968	Schneider	15/104.33
3,694,011	A *	9/1972	Silverman	403/316



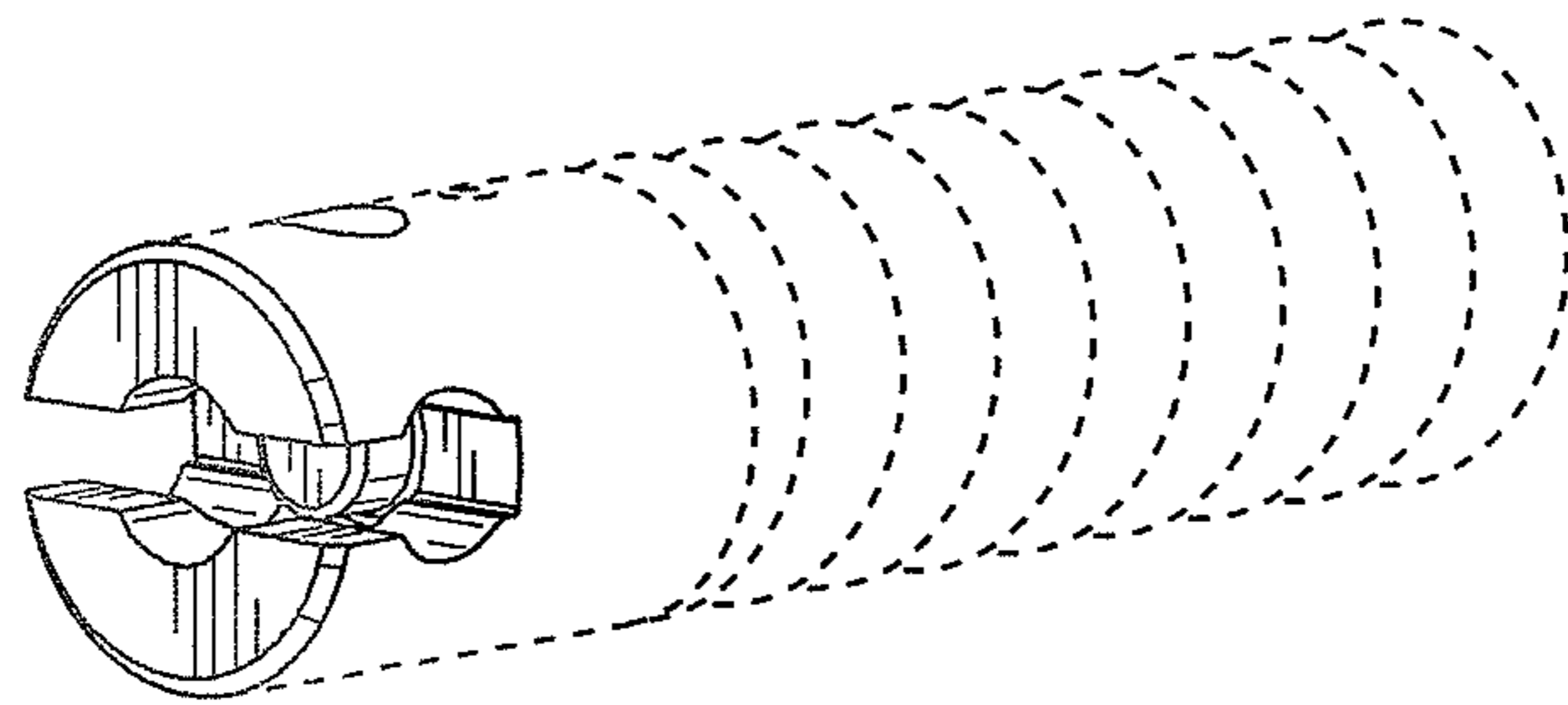


FIG. 1

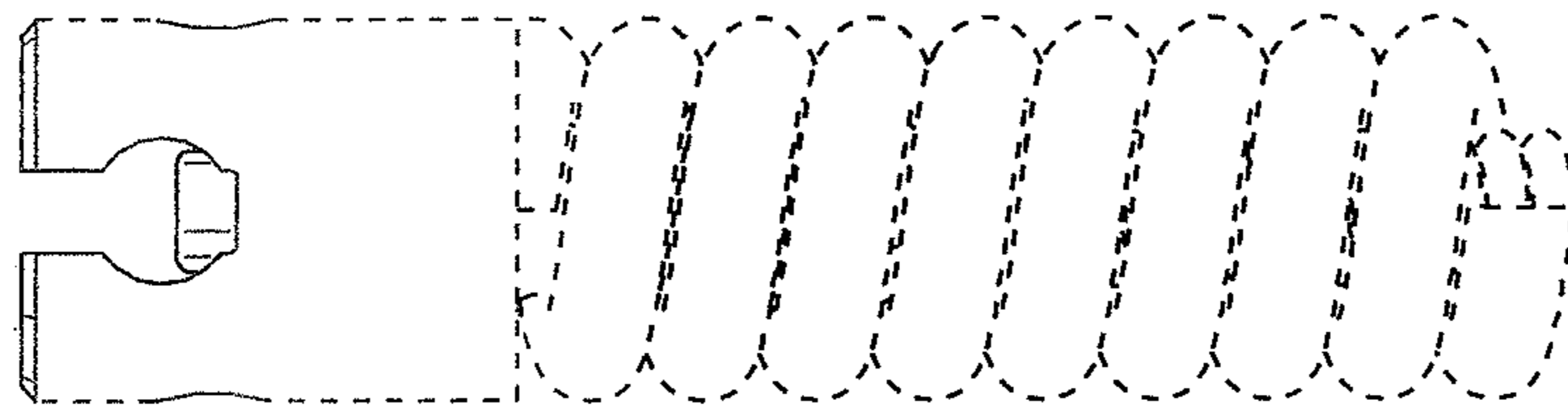


FIG. 2

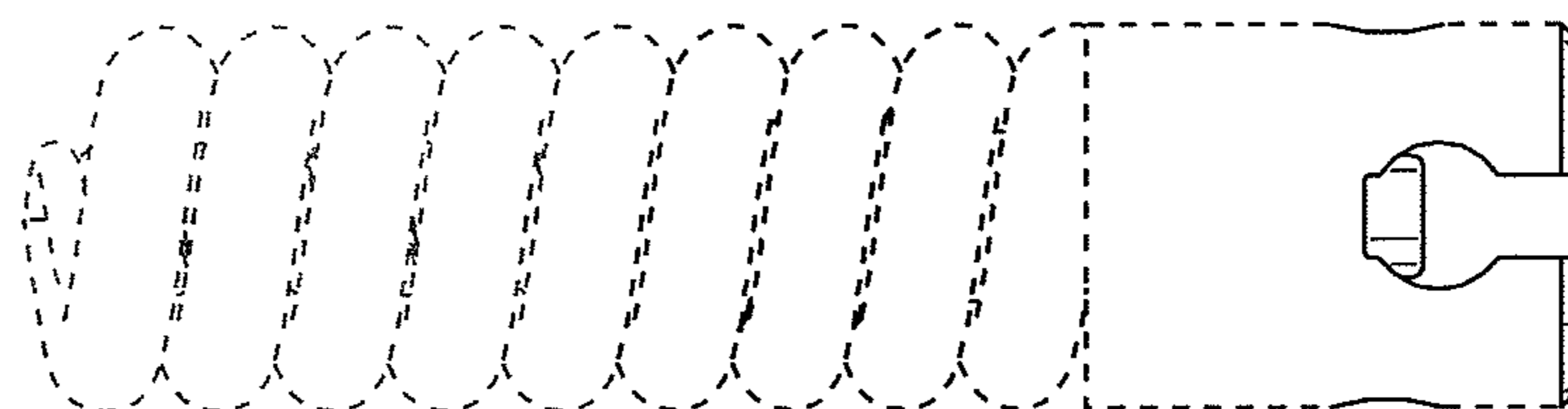


FIG. 3

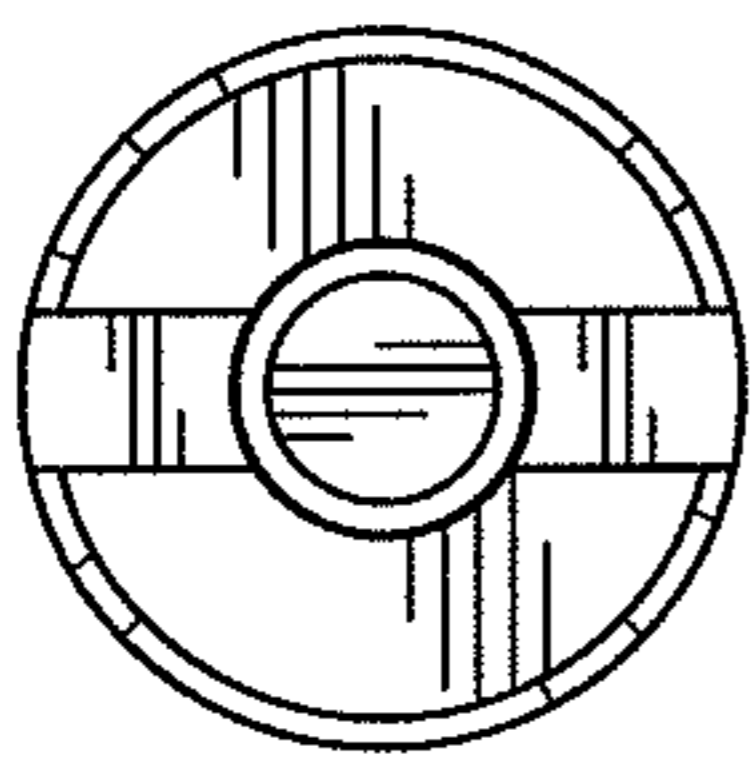


FIG. 4

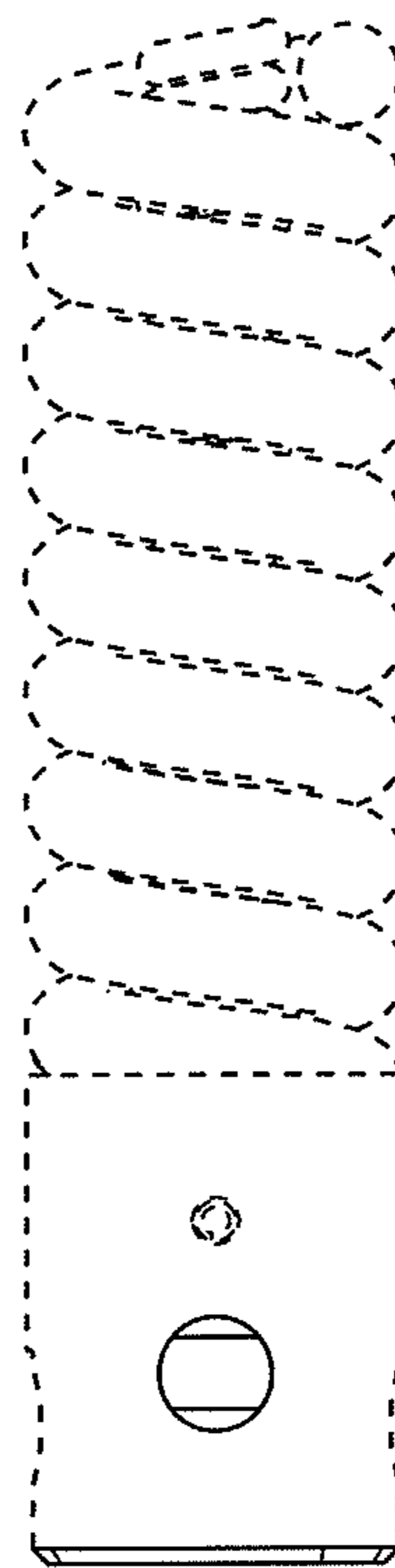


FIG. 5

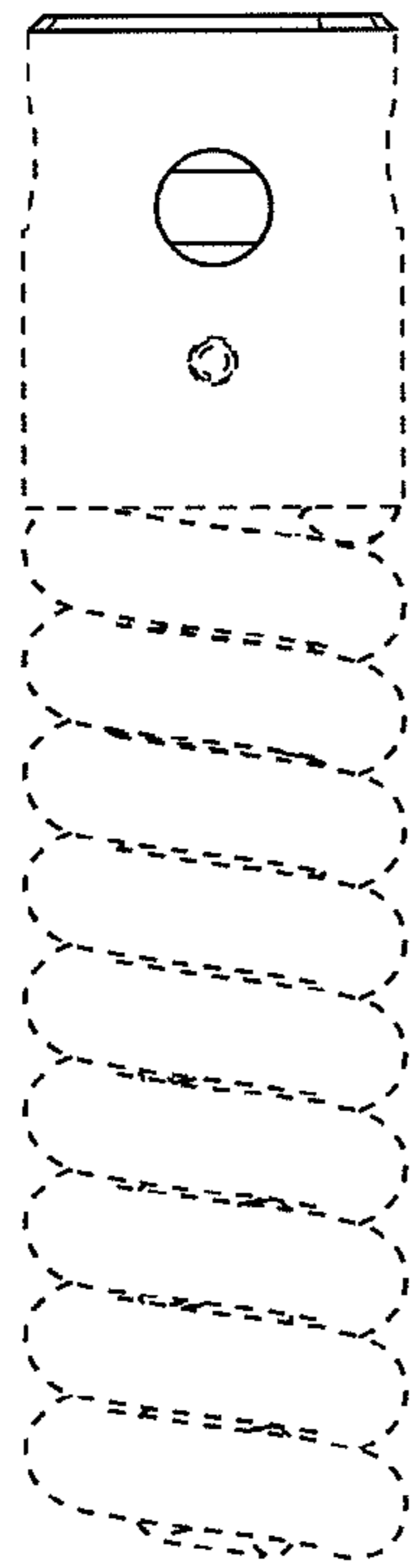


FIG. 6

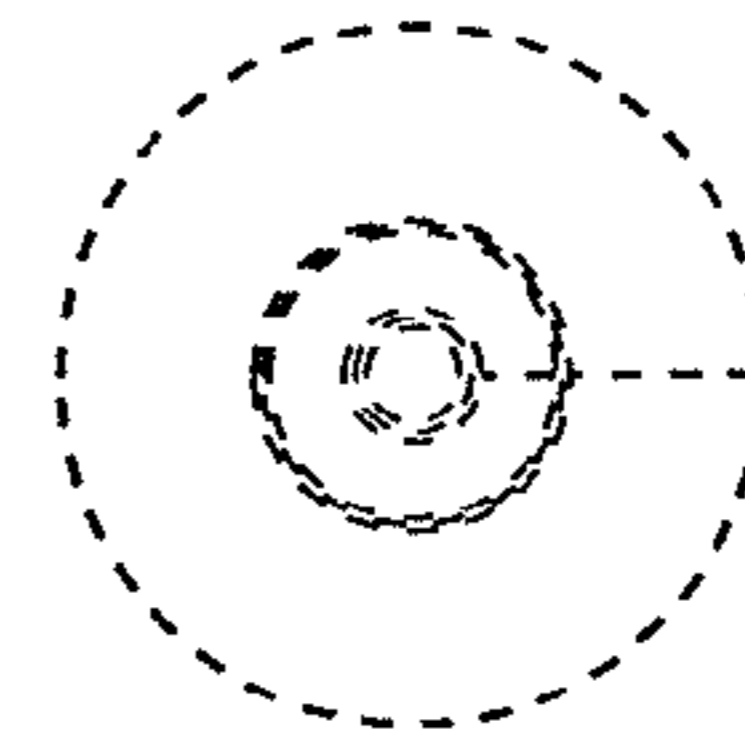


FIG. 7