



US00D745228S

(12) **United States Design Patent**  
**Scaba**

(10) **Patent No.:** **US D745,228 S**  
(45) **Date of Patent:** **\*\* Dec. 8, 2015**

(54) **DOG BOWL**

(56) **References Cited**

(71) Applicant: **Steven Scaba**, New York, NY (US)

U.S. PATENT DOCUMENTS

(72) Inventor: **Steven Scaba**, New York, NY (US)

(73) Assignee: **ARGENTO SC**, New York, NY (US)

(\*\*) Term: **14 Years**

(21) Appl. No.: **29/508,411**

(22) Filed: **Nov. 6, 2014**

(51) **LOC (10) Cl.** ..... **30-03**

(52) **U.S. Cl.**

USPC ..... **D30/129**

(58) **Field of Classification Search**

USPC ..... D30/121, 122, 129-133; 119/61.5,  
119/51.01, 61.56, 51.03, 59, 62, 63, 51.5,  
119/57.8, 74, 61.54, 61.55; 312/204;  
248/151, 188; 108/156, 153.1-157;  
220/23.87, 630, 737, 743, 9.4, 495.01,  
220/574, 212, 255, 23.83; 206/515;  
D7/586, 543, 550.1, 587, 505, 584,  
D7/545, 500, 553.1-553.8, 546, 555, 556,  
D7/504, 565, 562, 602; D9/429; 43/109;  
D22/122; 99/430, DIG. 15

CPC ..... A01K 5/0114; A01K 5/01; A01K 5/0135;  
A01K 7/005; A01K 7/00; A01K 7/02; A01K  
5/0142; A01K 5/0121; A01K 5/0128; A01K  
27/004; A01K 39/014; A01K 39/00; A01K  
39/02; A01K 39/0113; A47J 43/0727; A01M  
29/34; B29C 65/48; B65D 81/36

See application file for complete search history.

D80,971	S	*	4/1930	Sakier	.....	D7/558
D94,205	S	*	1/1935	Guild	.....	D7/558
D110,902	S	*	8/1938	Loesch	.....	D7/558
D160,770	S	*	11/1950	Cowan	.....	D7/558
4,520,633	A	*	6/1985	Hoydic	.....	62/457.6
D301,427	S	*	6/1989	Klingelhofer	.....	D7/555
5,172,826	A	*	12/1992	Celaya	.....	220/574
5,423,452	A	*	6/1995	Tardif	.....	220/574
5,445,110	A	*	8/1995	Birnie	.....	119/61.5
6,010,027	A	*	1/2000	Fujii et al.	.....	220/592.2
6,135,307	A	*	10/2000	Fahy	.....	220/574
6,416,828	B1	*	7/2002	Miyazaki et al.	.....	428/34.1
6,447,732	B1	*	9/2002	West	.....	422/126
6,802,707	B2	*	10/2004	Furner et al.	.....	431/292
D565,356	S	*	4/2008	Mellen et al.	.....	D7/586
D613,127	S	*	4/2010	Olivari	.....	D7/587
D645,705	S	*	9/2011	Shamoon	.....	D7/543
8,413,837	B2	*	4/2013	Bollengier	.....	220/669
D705,500	S	*	5/2014	Gambino	.....	D30/129
2003/0168016	A1	*	9/2003	Zolnierz et al.	.....	119/61
2007/0144205	A1	*	6/2007	Moore	.....	62/457.6
2009/0199774	A1	*	8/2009	Hamilton	.....	119/61.54
2012/0017837	A1	*	1/2012	Crawford	.....	119/61.1

\* cited by examiner

*Primary Examiner* — Susan Moon Lee

(74) *Attorney, Agent, or Firm* — Raj Abhyanker, P.C.

(57) **CLAIM**

The ornamental design for a dog bowl, as shown and described.

**DESCRIPTION**

FIG. 1 is a perspective view of a dog bowl, showing my new design.

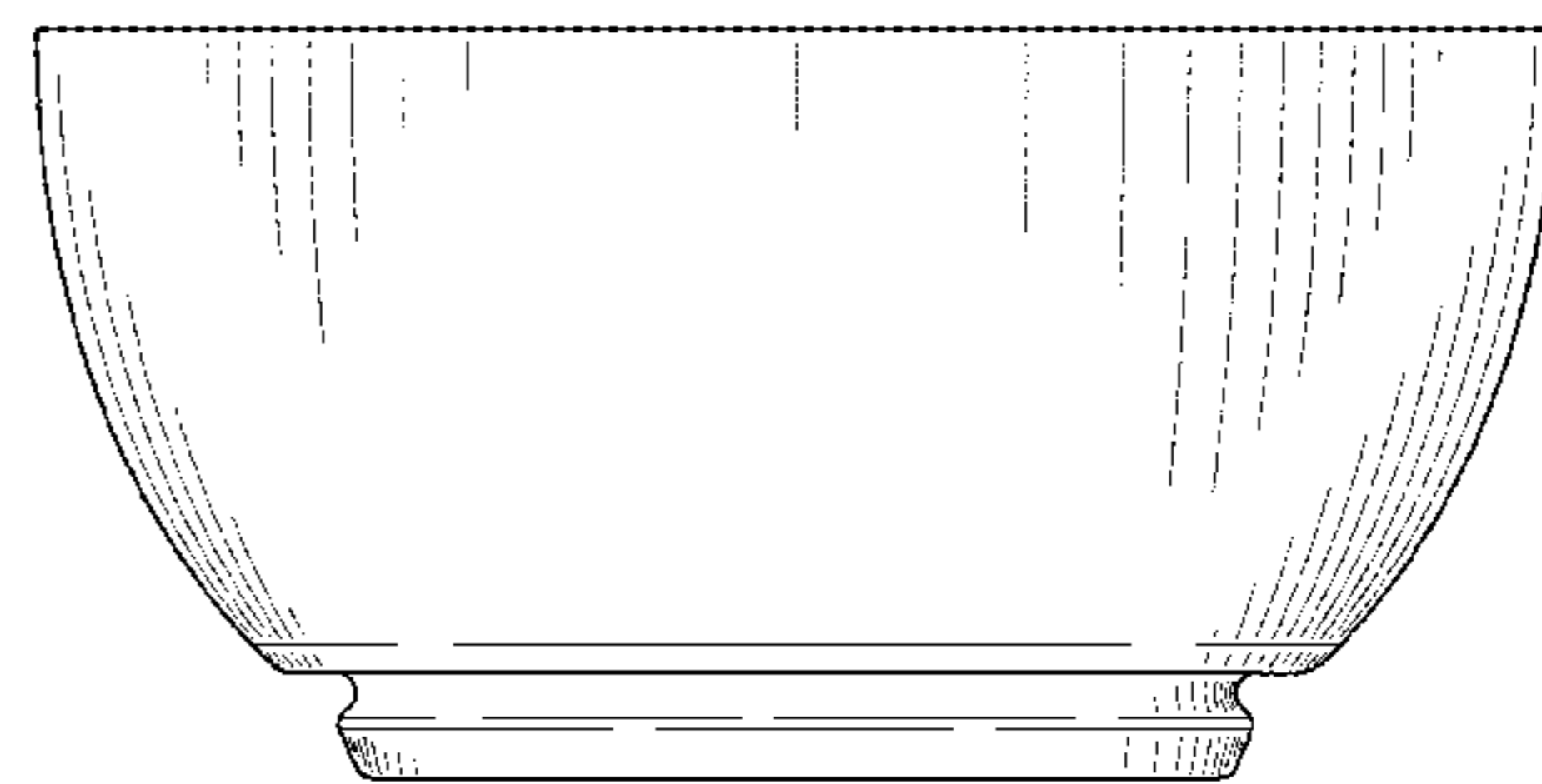
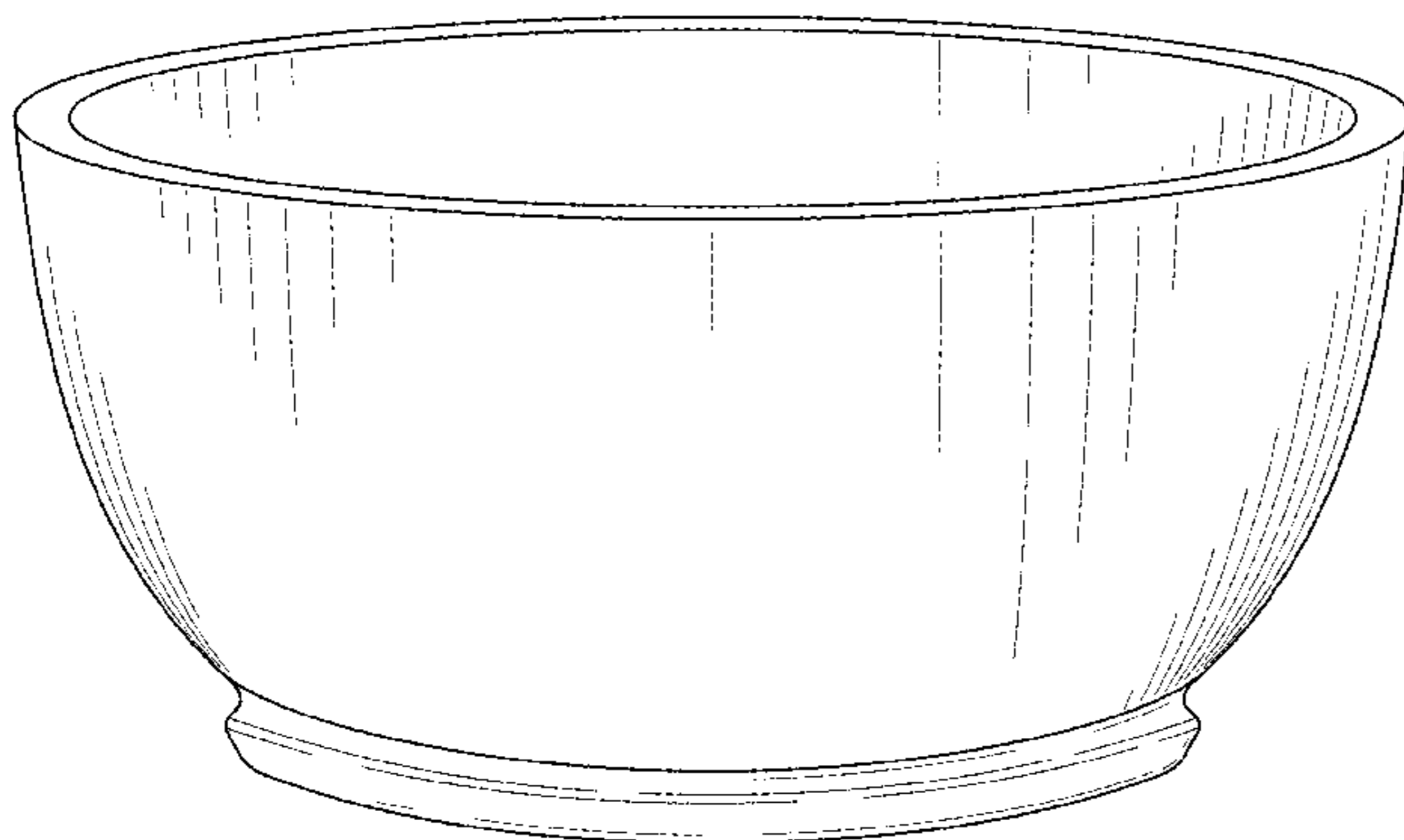
FIG. 2 is a front view of the dog bowl thereof.

FIG. 3 is a rear view of the dog bowl thereof.

FIG. 4 is a top view of the dog bowl thereof; and,

FIG. 5 is a bottom view of the dog bowl thereof.

**1 Claim, 4 Drawing Sheets**



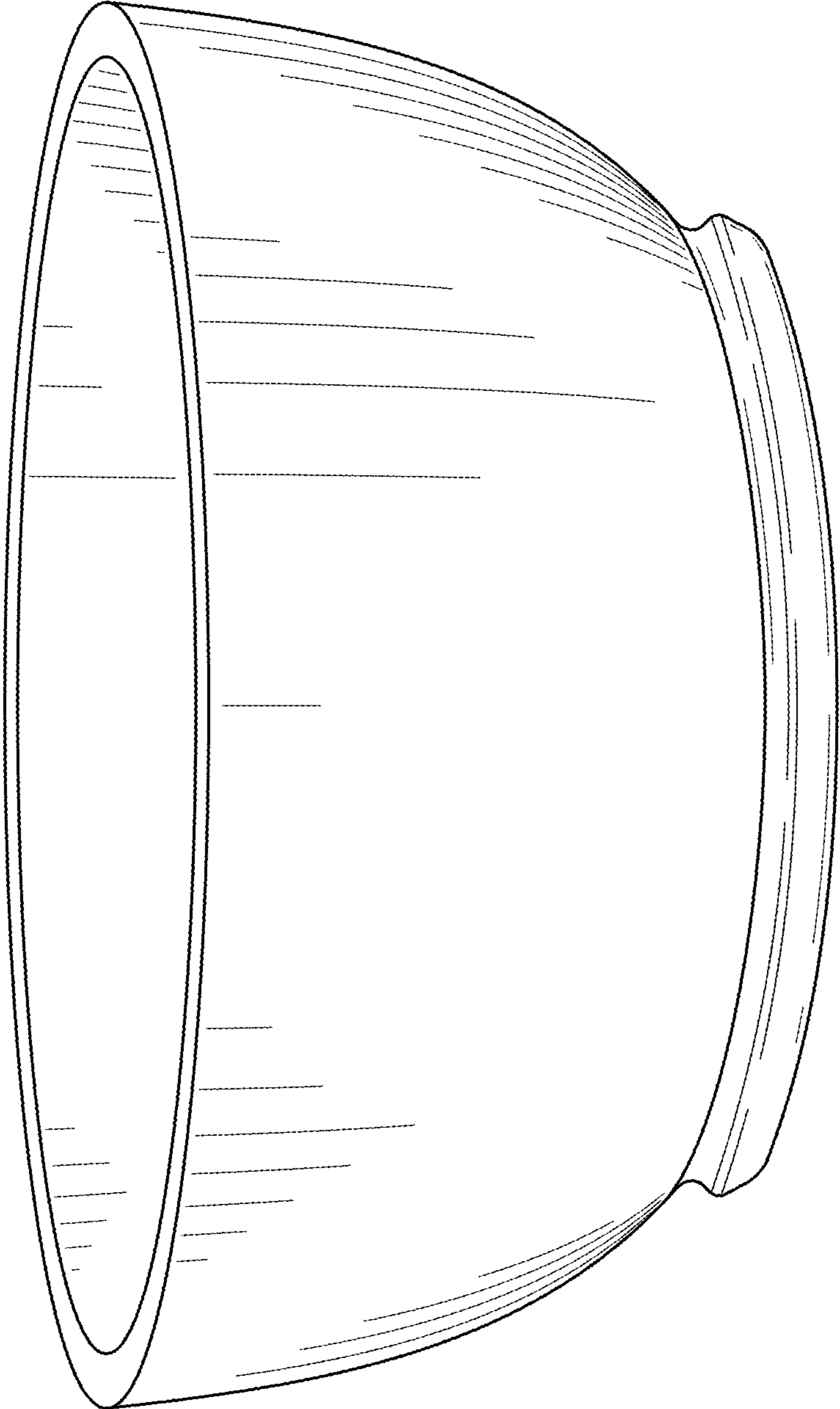


FIG. 1

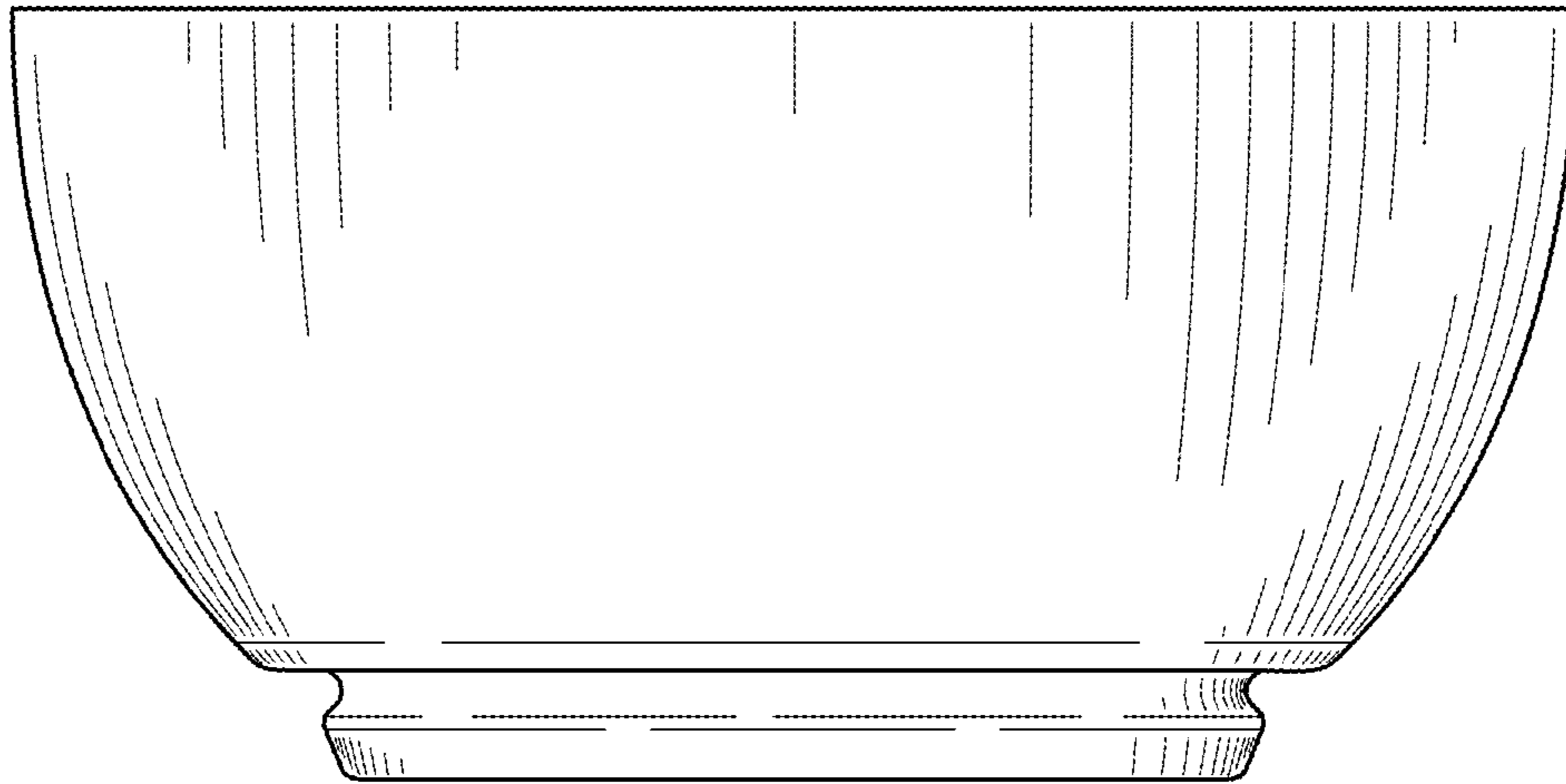


FIG. 2

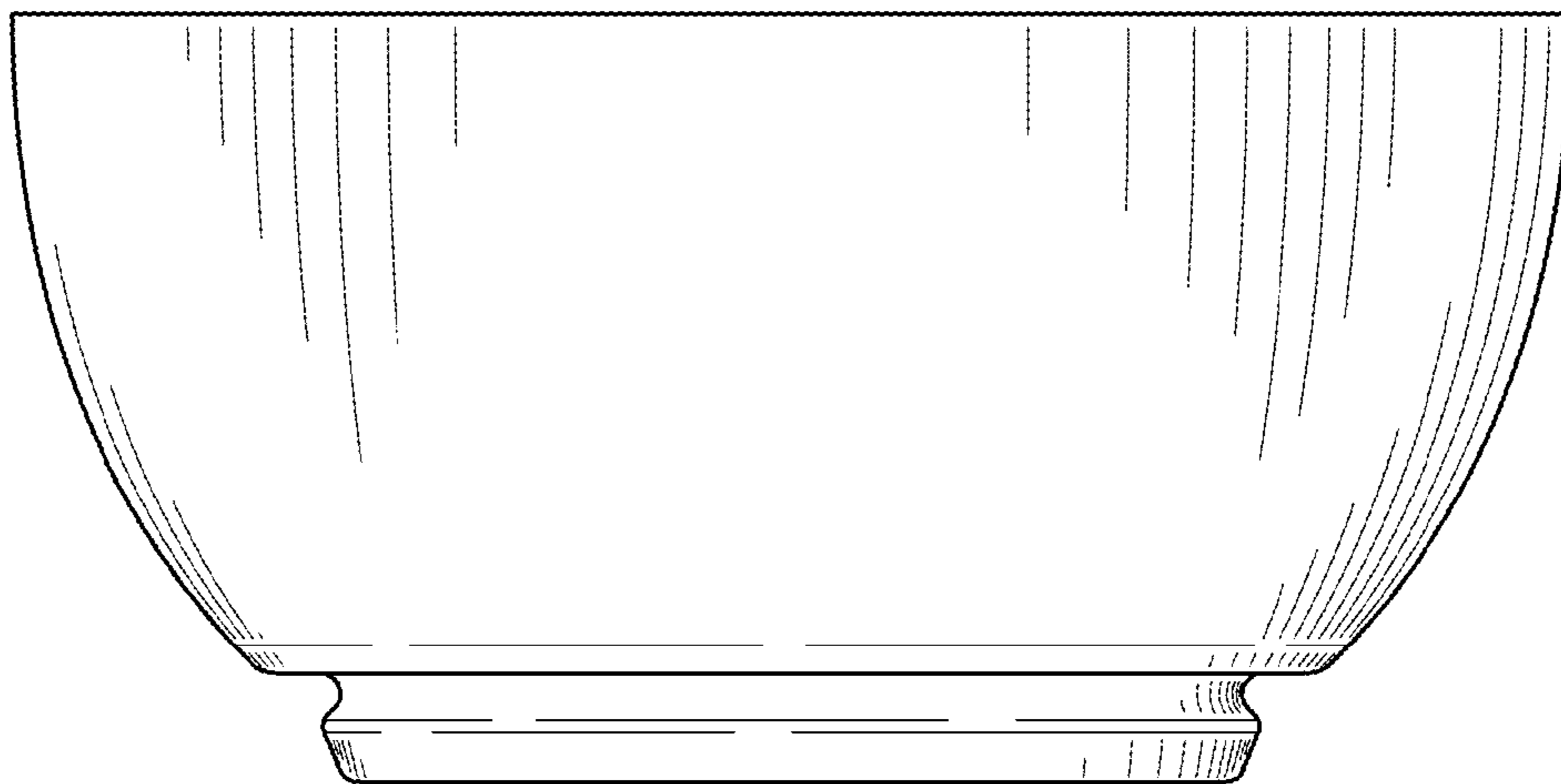


FIG. 3

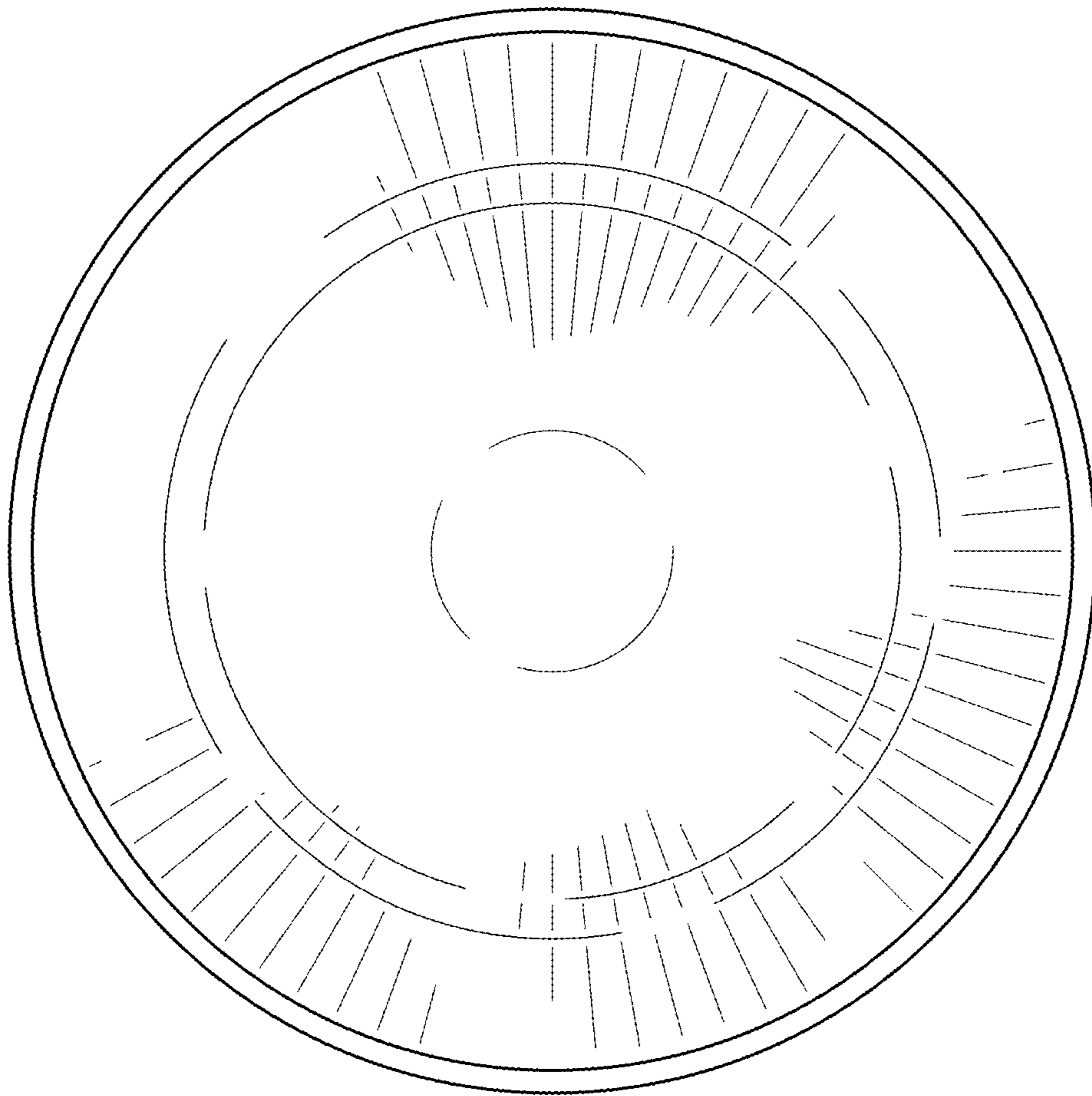


FIG. 4

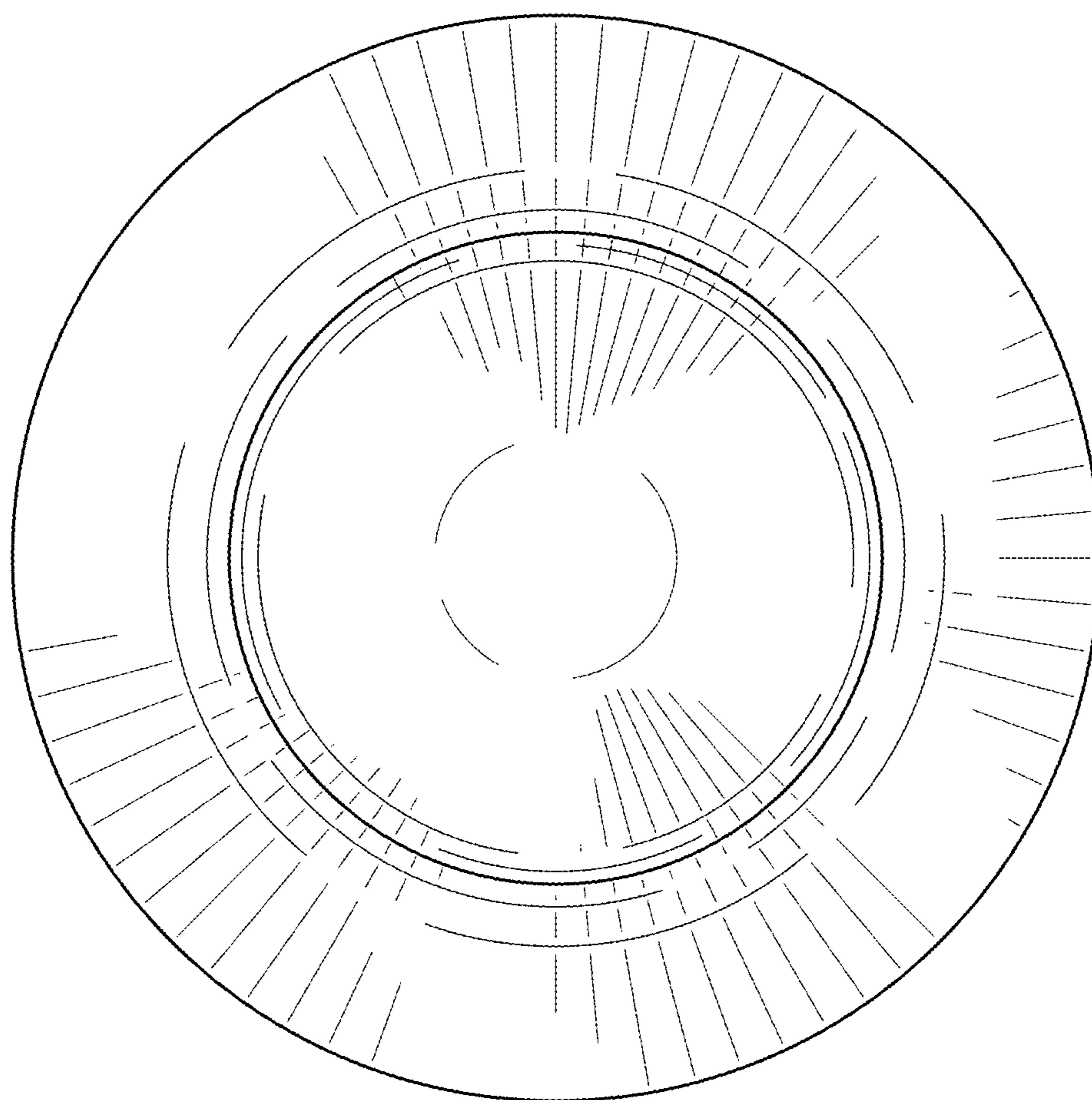


FIG. 5