



US00D745227S

(12) **United States Design Patent**
Thorn

(10) **Patent No.:** **US D745,227 S**
(45) **Date of Patent:** **** Dec. 8, 2015**

(54) **BIRD FEEDER**

(71) Applicant: **James John Thorn**, East Sussex (GB)

(72) Inventor: **James John Thorn**, East Sussex (GB)

(73) Assignee: **OAKTHRIFT CORPORATION, LTD.**, Hertfordshire (GB)

(**) Term: **14 Years**

(21) Appl. No.: **29/507,631**

(22) Filed: **Oct. 29, 2014**

(30) **Foreign Application Priority Data**

Apr. 30, 2014 (EM) 002455782-0005

(51) **LOC (10) Cl.** **30-03**

(52) **U.S. Cl.**
USPC **D30/127**

(58) **Field of Classification Search**
USPC D30/121, 124, 126-129, 133, 199,
D30/110-112, 123, 125; 119/52.2, 51.5,
119/61.5, 57.8, 57.9, 52.3, 61.1, 531, 63,
119/428-435, 52.4, 55, 61.3, 69.5, 75, 76;
47/67, 83; 248/318; D11/164, 152;
211/128.1; D27/123; D6/495, 460,
D6/461, 476, 405
CPC ... A01K 39/00; A01K 39/01; A01K 39/0113;
A01K 39/012; A01K 39/06; A01K 5/0225;
A01K 5/00
See application file for complete search history.

(56) **References Cited**

U.S. PATENT DOCUMENTS

2,591,126 A * 4/1952 Breck, Jr. A01K 39/012
119/52.2

D174,139 S * 3/1955 Sadler 119/52.3

2,856,898 A * 10/1958 Doubleday A01K 39/0113
119/57.9

D193,558 S * 9/1962 Parry D11/148

3,145,690 A * 8/1964 Bachman A01K 39/0113
119/52.3

3,590,780 A * 7/1971 Dunbar A01K 39/0113
119/57.9

3,757,110 A * 9/1973 Soboleski F21V 1/00

362/360

3,818,868 A * 6/1974 Boehland, Jr. A01K 31/14
119/431

4,144,842 A * 3/1979 Schlising A01K 39/0113
119/52.3

4,188,913 A * 2/1980 Earl A01K 39/0113
119/57.9

4,356,793 A * 11/1982 Blasbalg A01K 39/012
119/57.9

4,541,038 A * 9/1985 Van Noord F21V 1/06
362/351

5,044,319 A * 9/1991 Blasbalg A01K 39/012
119/57.9

D326,003 S * 5/1992 Embree D30/128

5,168,830 A * 12/1992 Deglis A01K 45/00
119/428

D335,006 S * 4/1993 Blasbalg D30/127

D339,207 S * 9/1993 Porter D26/130

D343,030 S * 1/1994 Harwick, Jr. D30/128

5,285,748 A * 2/1994 Weldin A01K 39/0113
119/57.9

5,289,796 A * 3/1994 Armstrong A01K 39/012
119/52.3

5,291,855 A * 3/1994 Laverty A01K 39/0113
119/52.3

D352,575 S * 11/1994 Bransky D30/127

5,533,467 A * 7/1996 Lancia A01K 39/012
119/57.9

(Continued)

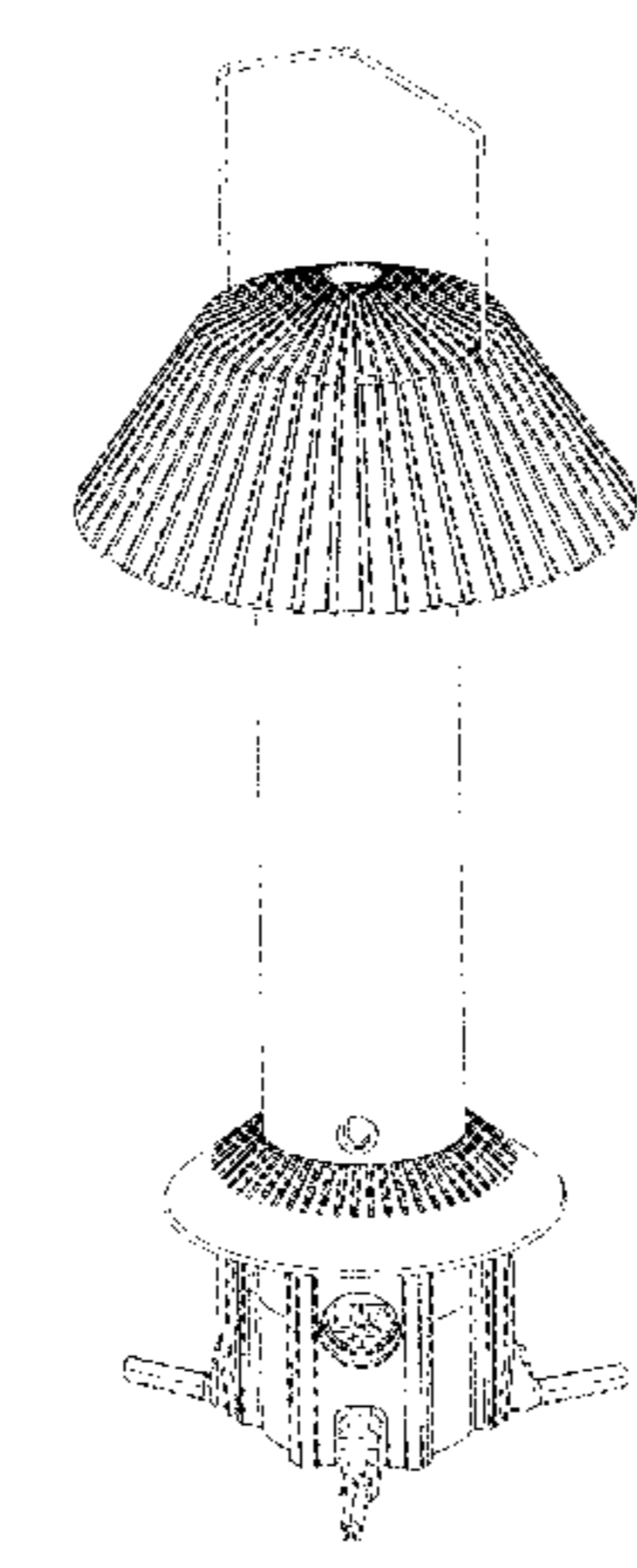
Primary Examiner — Susan Moon Lee
(74) *Attorney, Agent, or Firm* — Weiss & Moy, P.C.;
Veronica-Adele R. Cao

(57) **CLAIM**
The ornamental design for a bird feeder, as shown and described.

DESCRIPTION

FIG. 1 is a front view of a bird feeder of the present invention; FIG. 2 is a side view of the bird feeder of FIG. 1 shown in an open position; FIG. 3 is a top view of the bird feeder of FIG. 1; FIG. 4 is a bottom view of the bird feeder of FIG. 1; FIG. 5 is a perspective view of the bird feeder of FIG. 1; FIG. 6 is an elevated perspective view of the bird feeder of FIG. 1; and, FIG. 7 is an elevated perspective view of the bird feeder of FIG. 1 shown in an open position.

1 Claim, 7 Drawing Sheets



(56)

References Cited

U.S. PATENT DOCUMENTS

5,937,788	A *	8/1999	Boyd	A01K 39/0113	119/52.3
D428,537	S *	7/2000	Miller	D30/124	
6,158,385	A *	12/2000	Boyd	A01K 39/0113	119/52.3
6,253,706	B1 *	7/2001	Sloop	A01K 39/014	119/52.3
6,561,128	B1 *	5/2003	Carter	A01K 39/0113	119/52.3
D490,576	S *	5/2004	Rich	D30/128	
D497,226	S *	10/2004	Nauert	119/57.9	
6,863,024	B1 *	3/2005	Obenshain	A01K 39/012	119/51.01
D505,755	S *	5/2005	Lundstrom	D30/124	
D511,866	S *	11/2005	Lundstrom	D30/124	
7,448,346	B1 *	11/2008	Stone	A01K 31/12	119/52.3
7,448,347	B2 *	11/2008	Richmond	A01K 39/012	119/72
D594,587	S *	6/2009	Chen	D26/67	
D599,933	S *	9/2009	van Klinken	D26/67	
D599,938	S *	9/2009	Sabernig	D26/67	
D603,996	S *	11/2009	Chen	D26/67	
D616,131	S *	5/2010	Chen	D26/67	
D616,133	S *	5/2010	Chen	D26/67	
D623,805	S *	9/2010	Vosbikian	D30/127	
7,798,099	B2 *	9/2010	Vosbikian	A01K 39/012	119/52.2
D638,588	S *	5/2011	Vosbikian	D30/127	
8,006,642	B2 *	8/2011	Vosbikian	A01K 39/012	119/52.2
8,156,894	B1 *	4/2012	Krah	A01K 39/014	119/52.2
8,230,809	B2 *	7/2012	Cote	A01K 39/0113	119/52.3
8,245,666	B2 *	8/2012	Sena	A01K 39/012	119/57.8
D688,010	S *	8/2013	DiOrio	D30/119	
D689,639	S *	9/2013	Chung	D26/40	
D692,191	S *	10/2013	Stephens	D30/127	
D694,931	S *	12/2013	Meyer	D26/67	
8,899,179	B1 *	12/2014	Carter	A01K 39/012	119/57.8
D723,226	S *	2/2015	Krueger	D30/127	
2003/0033985	A1 *	2/2003	Hardison	A01K 39/0113	119/57.9
2005/0120967	A1 *	6/2005	Ruff	A01K 39/014	119/52.2
2006/0112892	A1 *	6/2006	Hunter	A01K 39/014	119/57.8
2006/0266295	A1 *	11/2006	McDarren	A01K 45/00	119/57.8
2006/0288944	A1 *	12/2006	Hoff	A01K 39/012	119/57.9
2008/0127902	A1 *	6/2008	Bent	A01K 39/014	119/52.3
2010/0258054	A1 *	10/2010	Frazier	A01K 39/012	119/52.2
2011/0083609	A1 *	4/2011	Cote	A01K 39/012	119/52.2
2012/0234249	A1 *	9/2012	Gaze	A01K 39/012	119/57.8
2013/0255581	A1 *	10/2013	Donegan	A01K 39/01	119/57.8
2014/0261200	A1 *	9/2014	Tu	A01K 39/01	119/57.8
2014/0360435	A1 *	12/2014	Cote	A01K 39/0106	119/57.8
2015/0136032	A1 *	5/2015	Cote	A01K 39/012	119/57.8

* cited by examiner

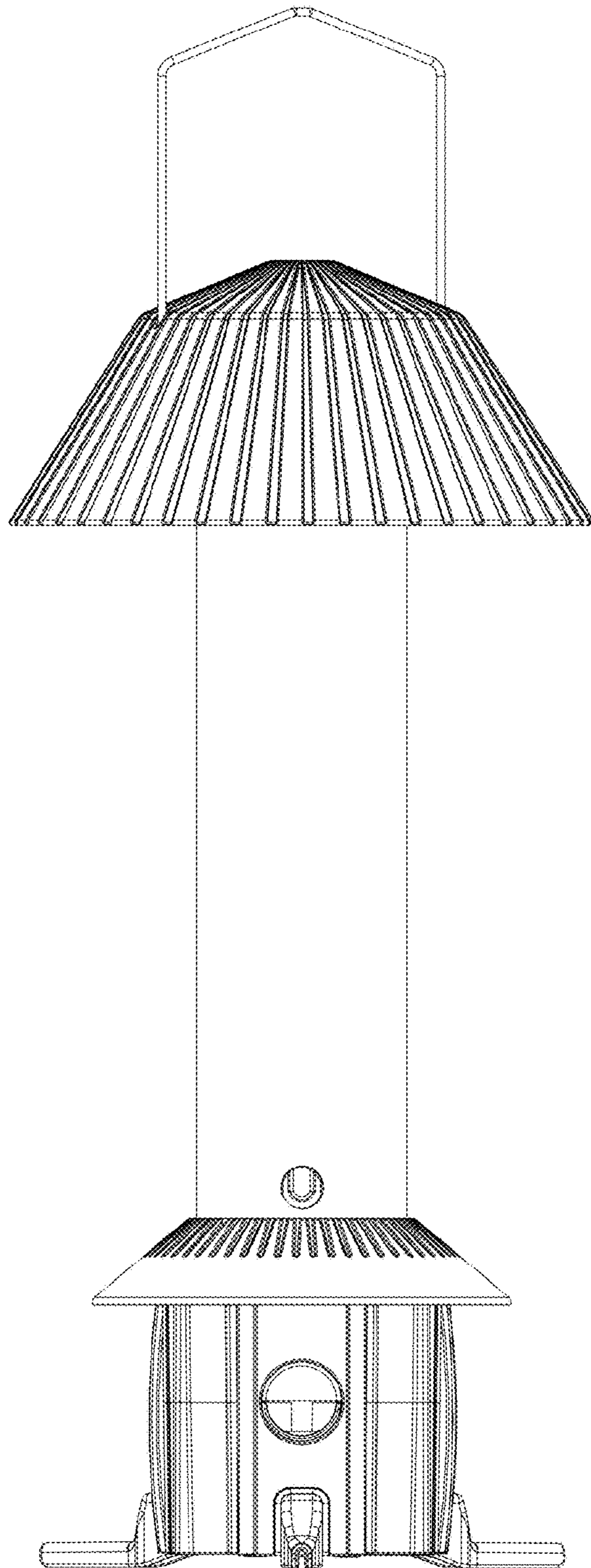


FIGURE 1

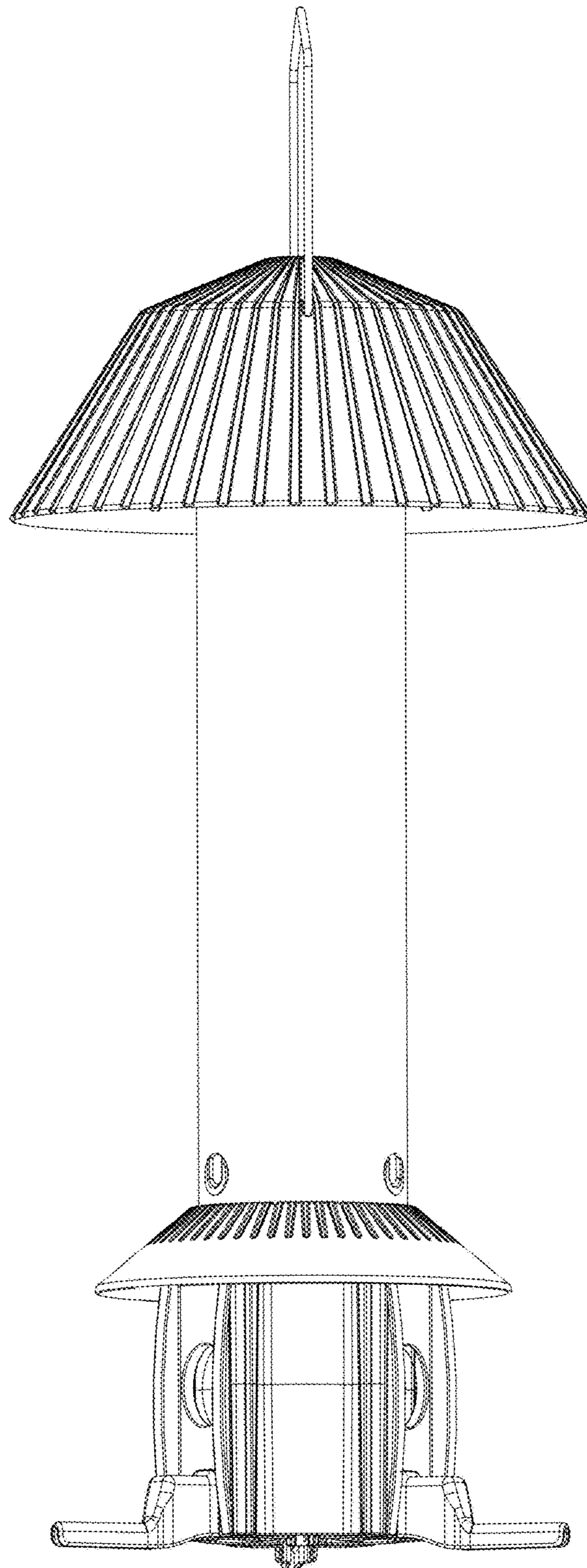


FIGURE 2

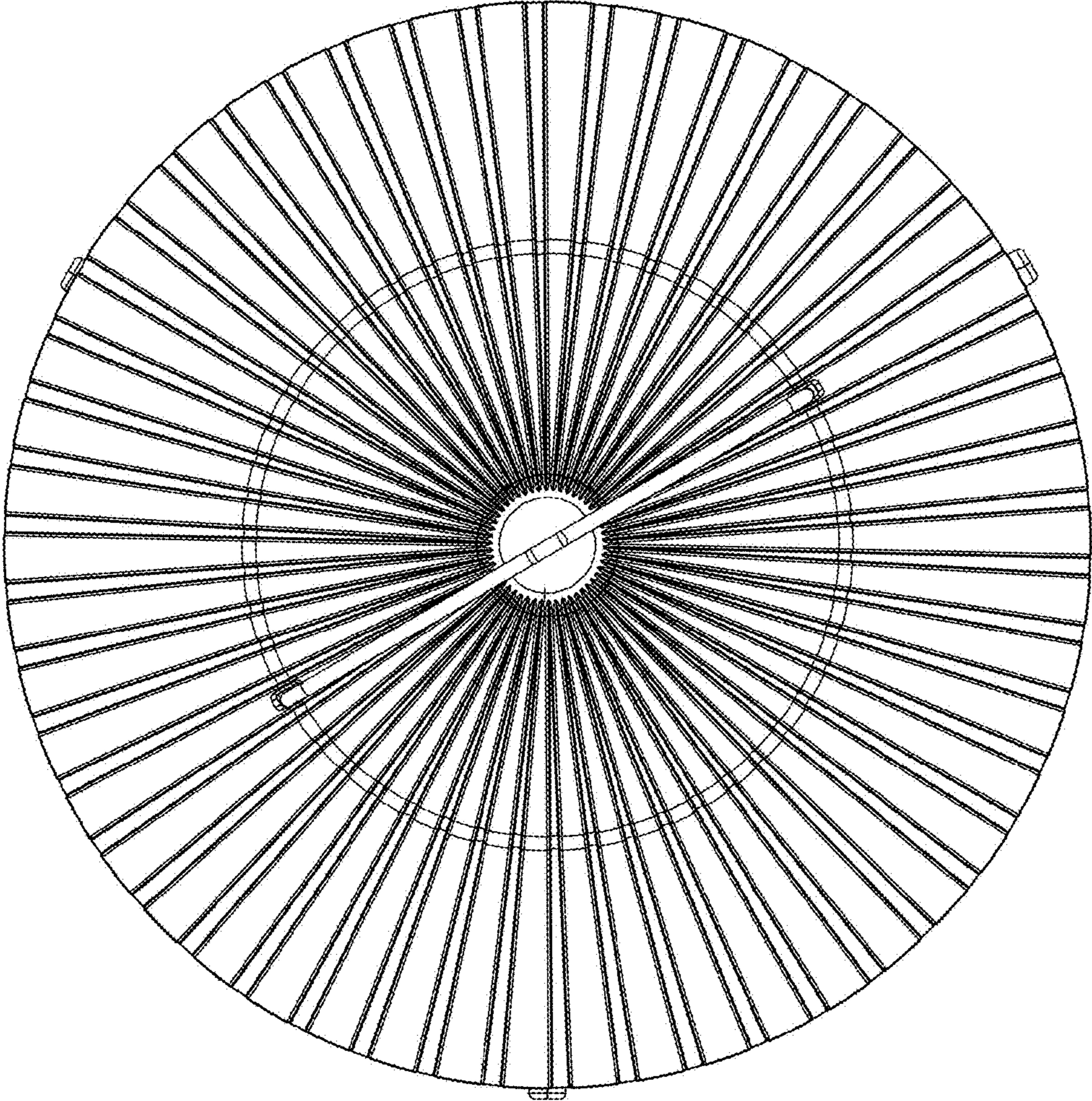


FIGURE 3

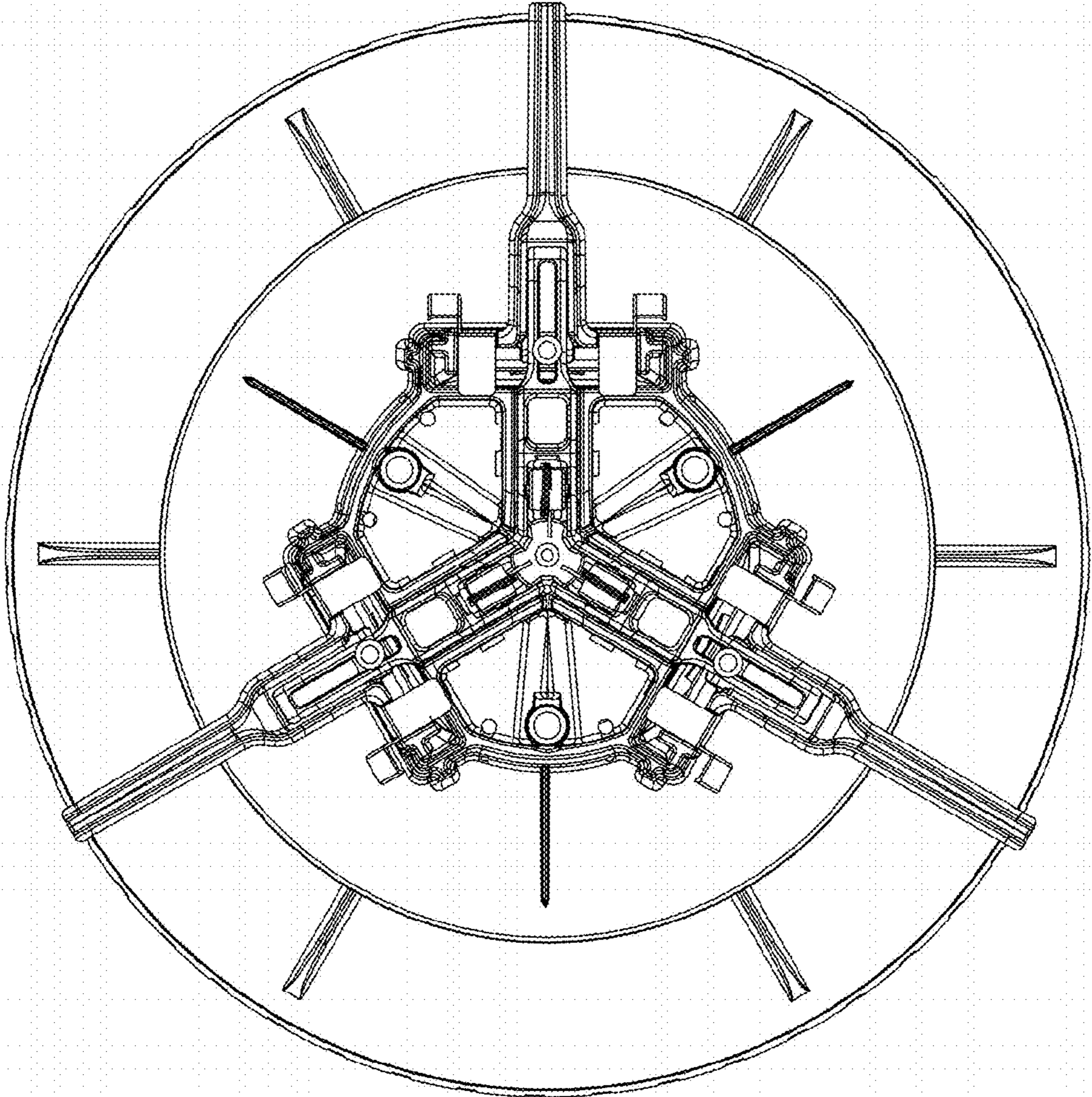


FIGURE 4

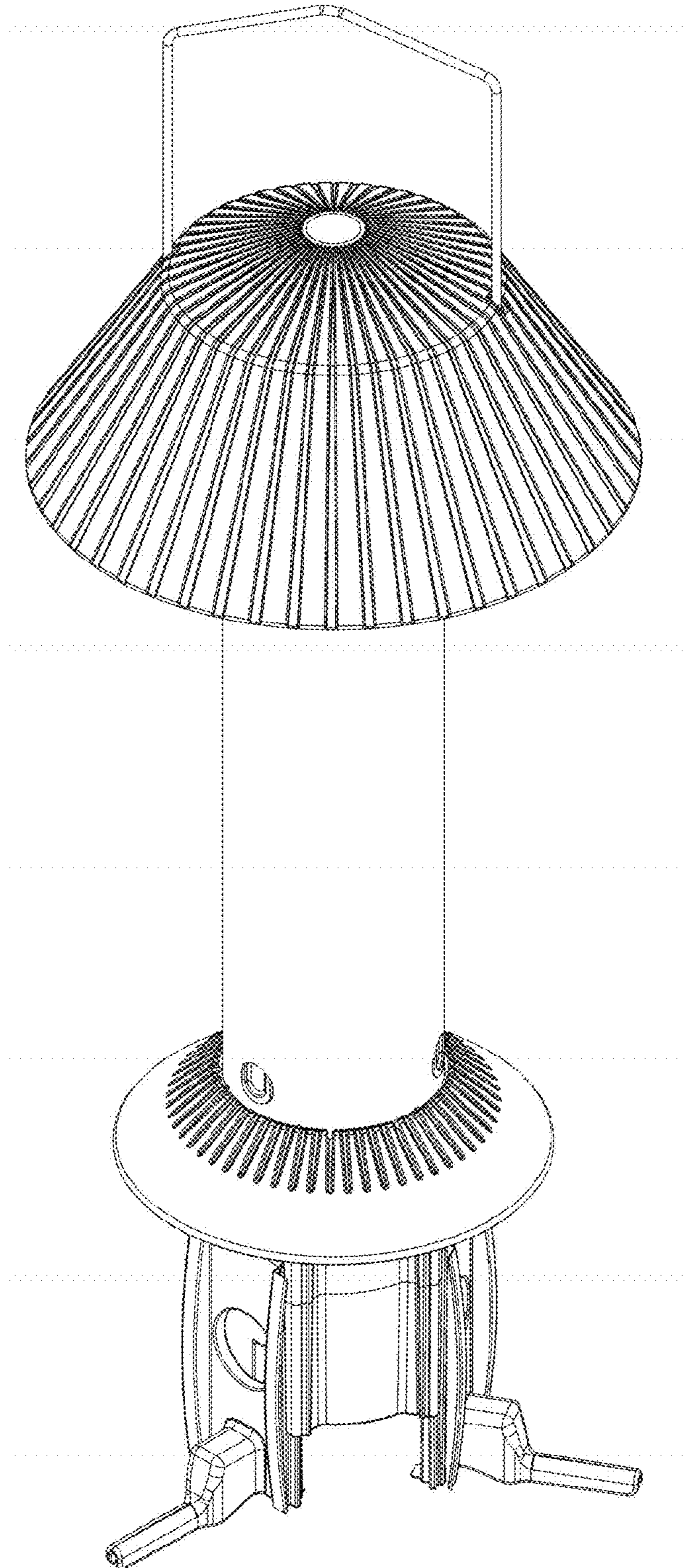


FIGURE 5

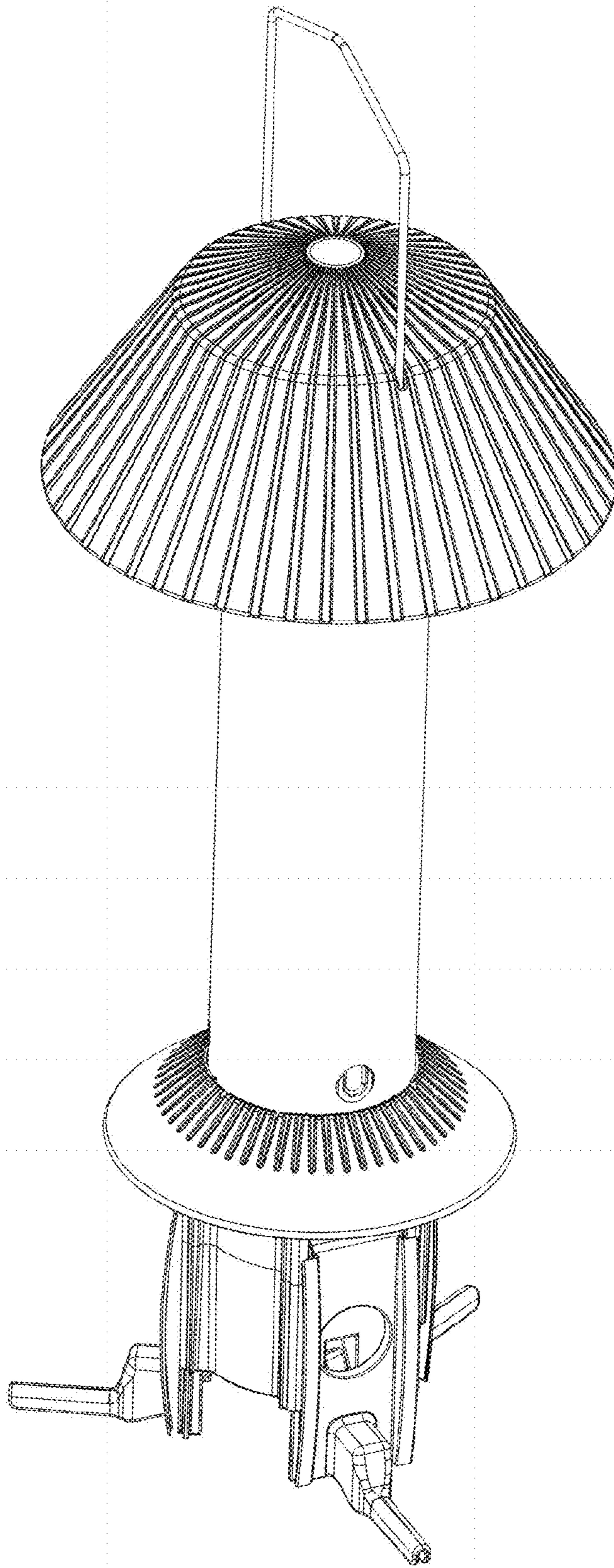


FIGURE 6

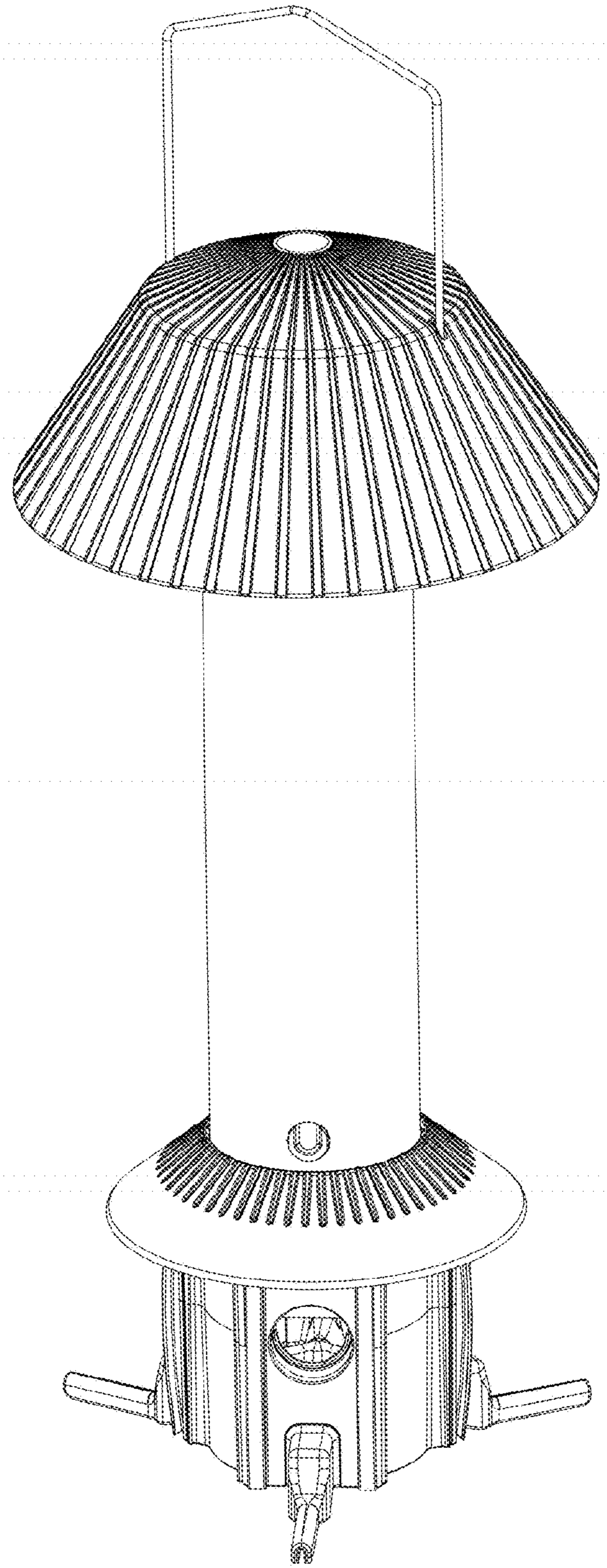


FIGURE 7