



US00D745226S

(12) **United States Design Patent**
Kumarich

(10) **Patent No.:** **US D745,226 S**
(45) **Date of Patent:** **** Dec. 8, 2015**

- (54) **LABORATORY FISH TANK**
- (71) Applicant: **Smith-Root, Inc**, Vancouver, WA (US)
- (72) Inventor: **David Kumarich**, Portland, OR (US)
- (73) Assignee: **Smith Root, Inc**, Vancouver, WA (US)
- (**) Term: **14 Years**
- (21) Appl. No.: **29/503,354**
- (22) Filed: **Sep. 25, 2014**
- (51) **LOC (10) Cl.** **30-02**
- (52) **U.S. Cl.**
USPC **D30/101**
- (58) **Field of Classification Search**
USPC D30/101-106; 200/200, 214-215;
219/214, 226, 246, 248, 253; D11/145
CPC ... A01K 61/00; A01K 61/001; A01K 61/003;
A01K 61/006
See application file for complete search history.

(56) **References Cited**

U.S. PATENT DOCUMENTS

3,797,459	A	3/1974	Harris	
3,842,804	A *	10/1974	Christensen A01K 61/00 119/227
4,839,498	A	6/1989	Chak	
5,253,610	A	10/1993	Shaber	
5,305,711	A *	4/1994	Sharber A01K 61/001 119/215
5,463,983	A	11/1995	Nagaura	
6,132,303	A	10/2000	Buckhaven	
6,145,476	A	11/2000	Tempel	

D546,004	S	7/2007	Wei	
D560,316	S *	1/2008	Ying-chuan D30/101
8,813,685	B2	8/2014	Vento	
2010/0206240	A1 *	8/2010	Vento A01K 61/00 119/247

* cited by examiner

Primary Examiner — Wan Laymon

(74) *Attorney, Agent, or Firm* — J. Curtis Edmondson; Law Offices of J. Curtis Edmondson

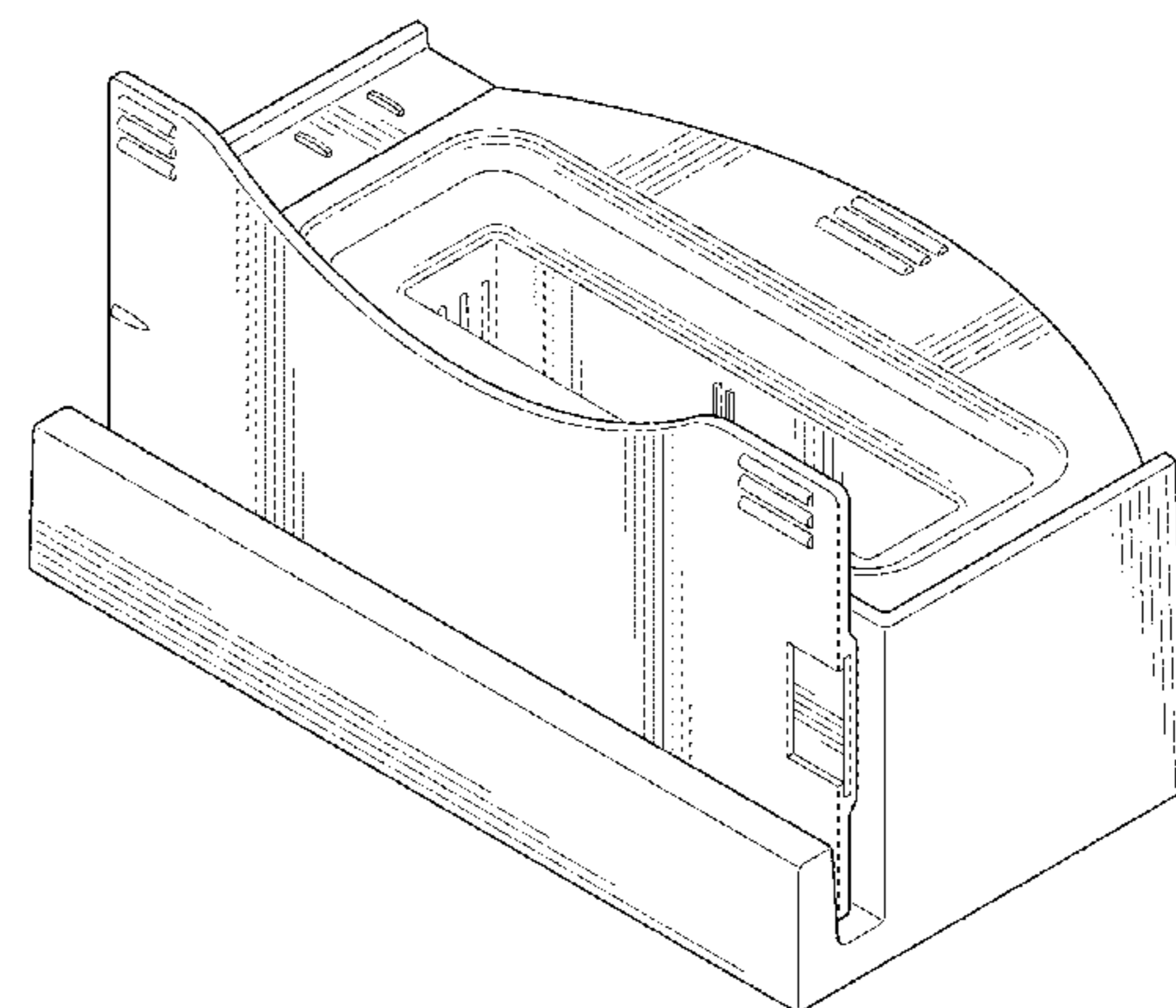
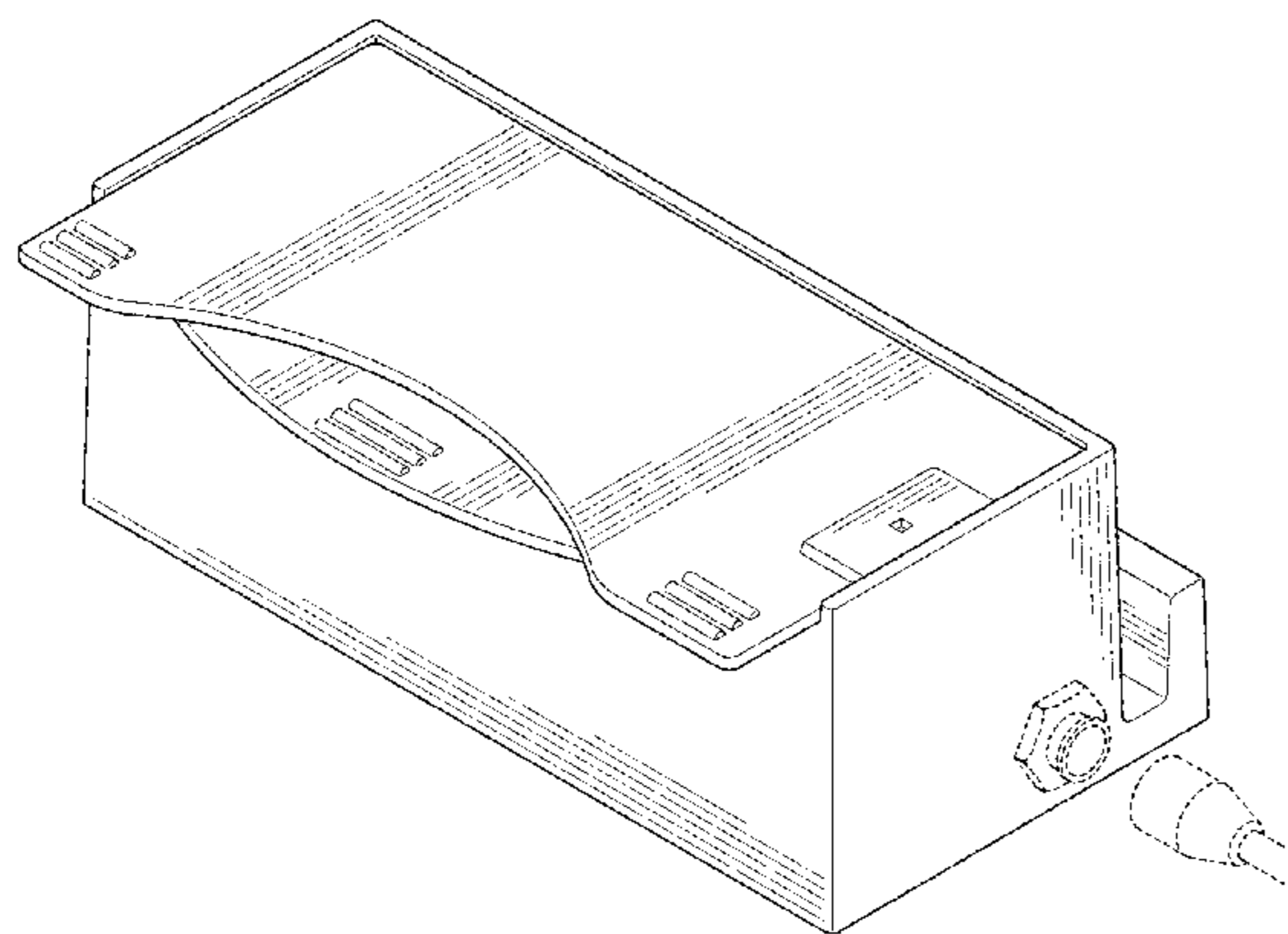
(57) **CLAIM**

The ornamental design for a laboratory fish tank, as shown and described.

DESCRIPTION

FIG. 1 is a perspective view from the top end, front and right sides of the tank;
 FIG. 2 is a front side view thereof;
 FIG. 3 is a back side view thereof;
 FIG. 4 is a right side view thereof;
 FIG. 5 is a left side view thereof;
 FIG. 6 is a top end view thereof; and,
 FIG. 7 is a perspective view from the top end, back and left sides thereof with the tank lid positioned off the top of the tank and in the back end lid holder.
 No bottom end view is shown because it is hidden when placed on a table-top.
 The broken lines showing environment in FIG. 1 are included for illustrative purposes only and form no part of the claimed design.

1 Claim, 5 Drawing Sheets



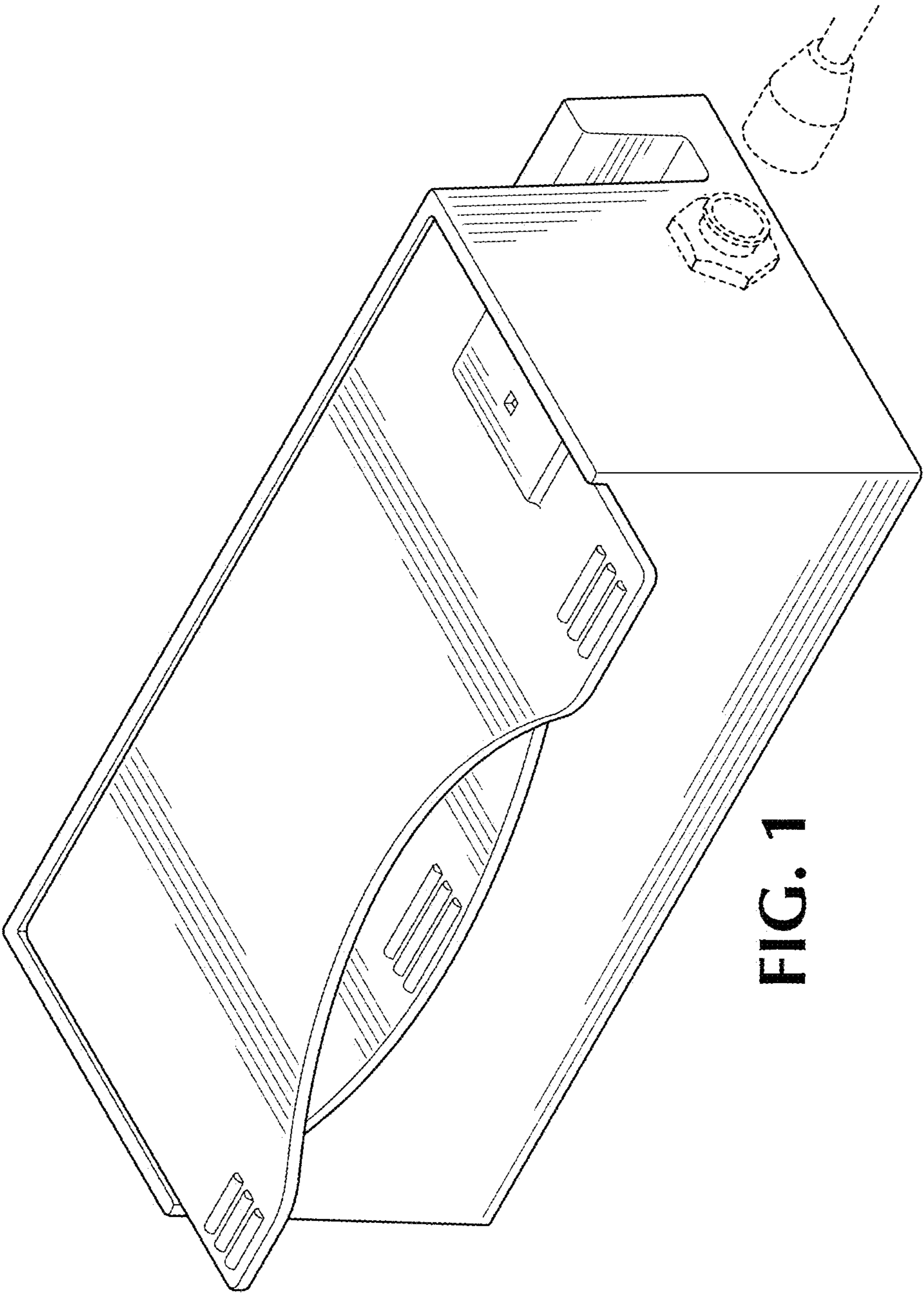


FIG. 1

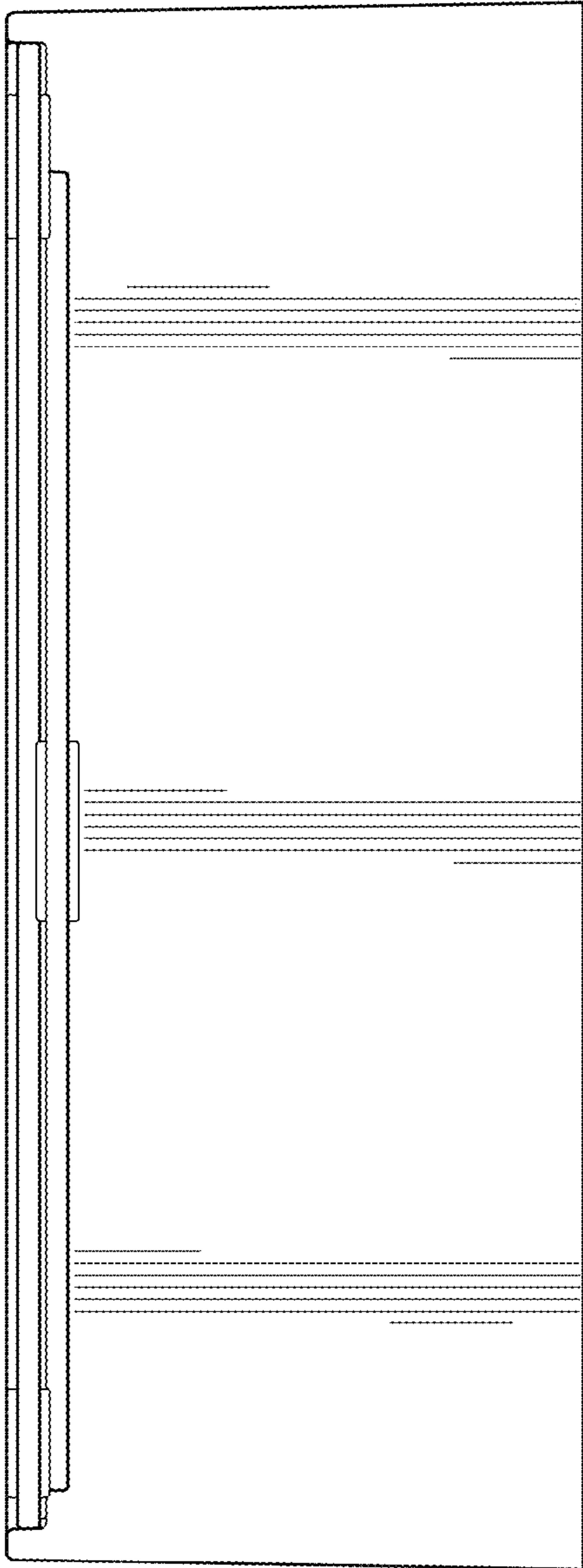


FIG. 2

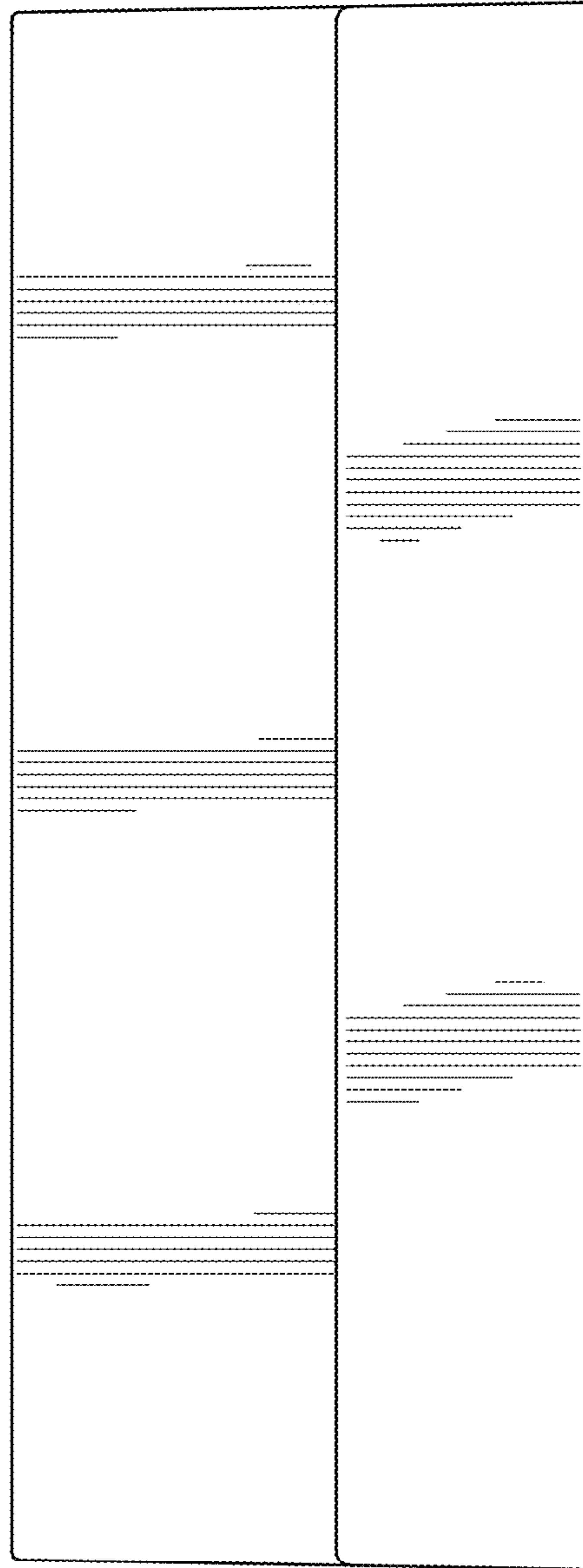


FIG. 3

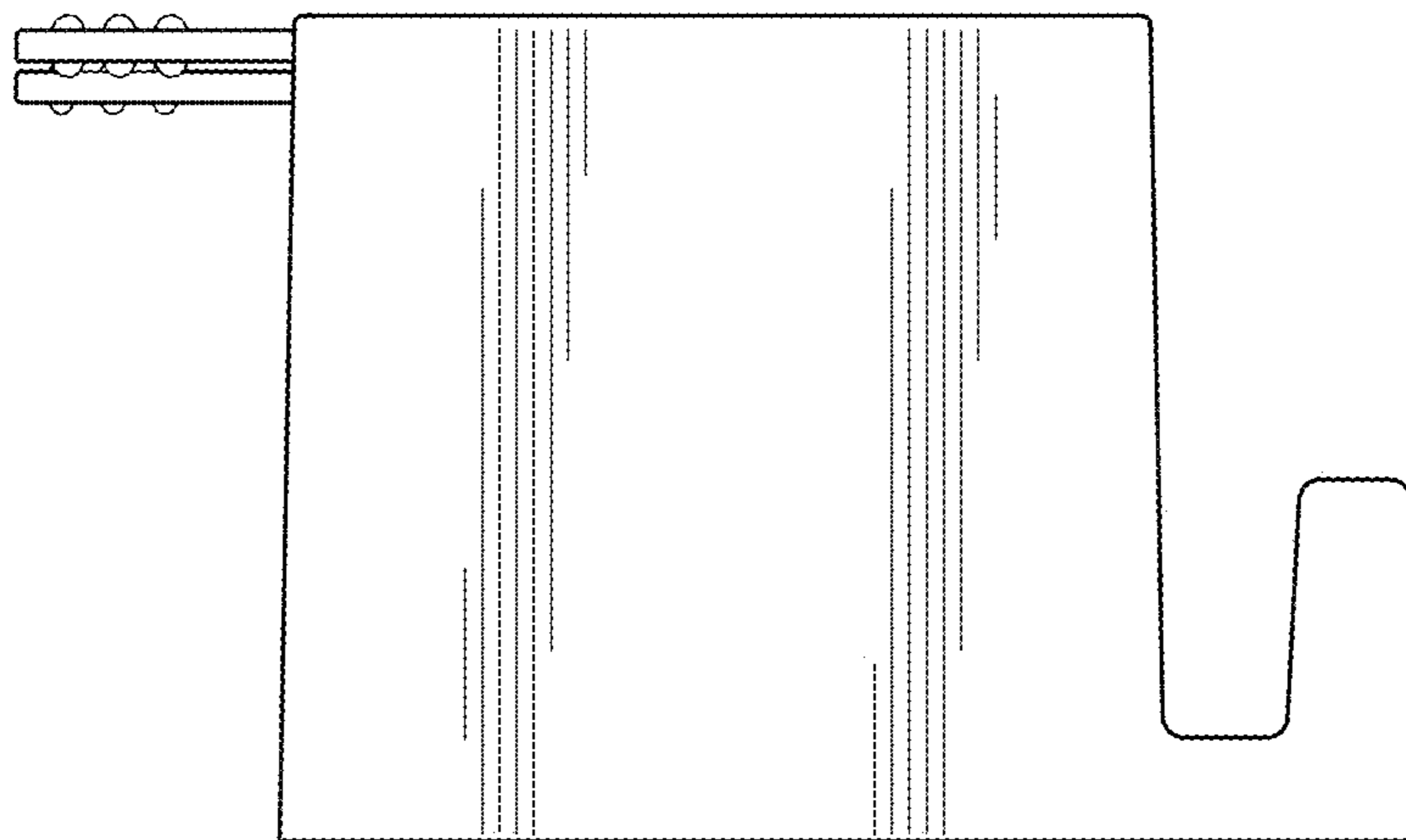


FIG. 4

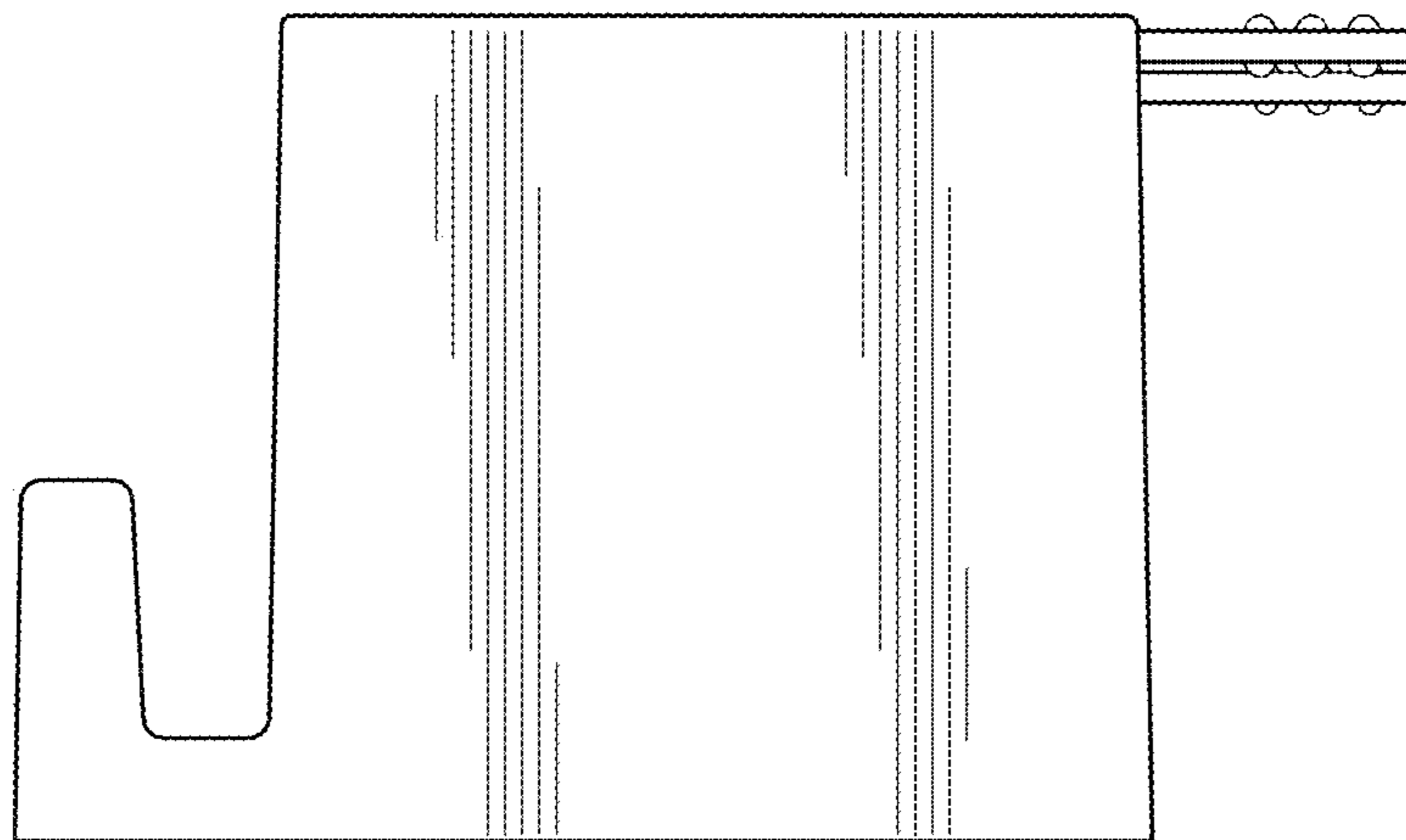


FIG. 5

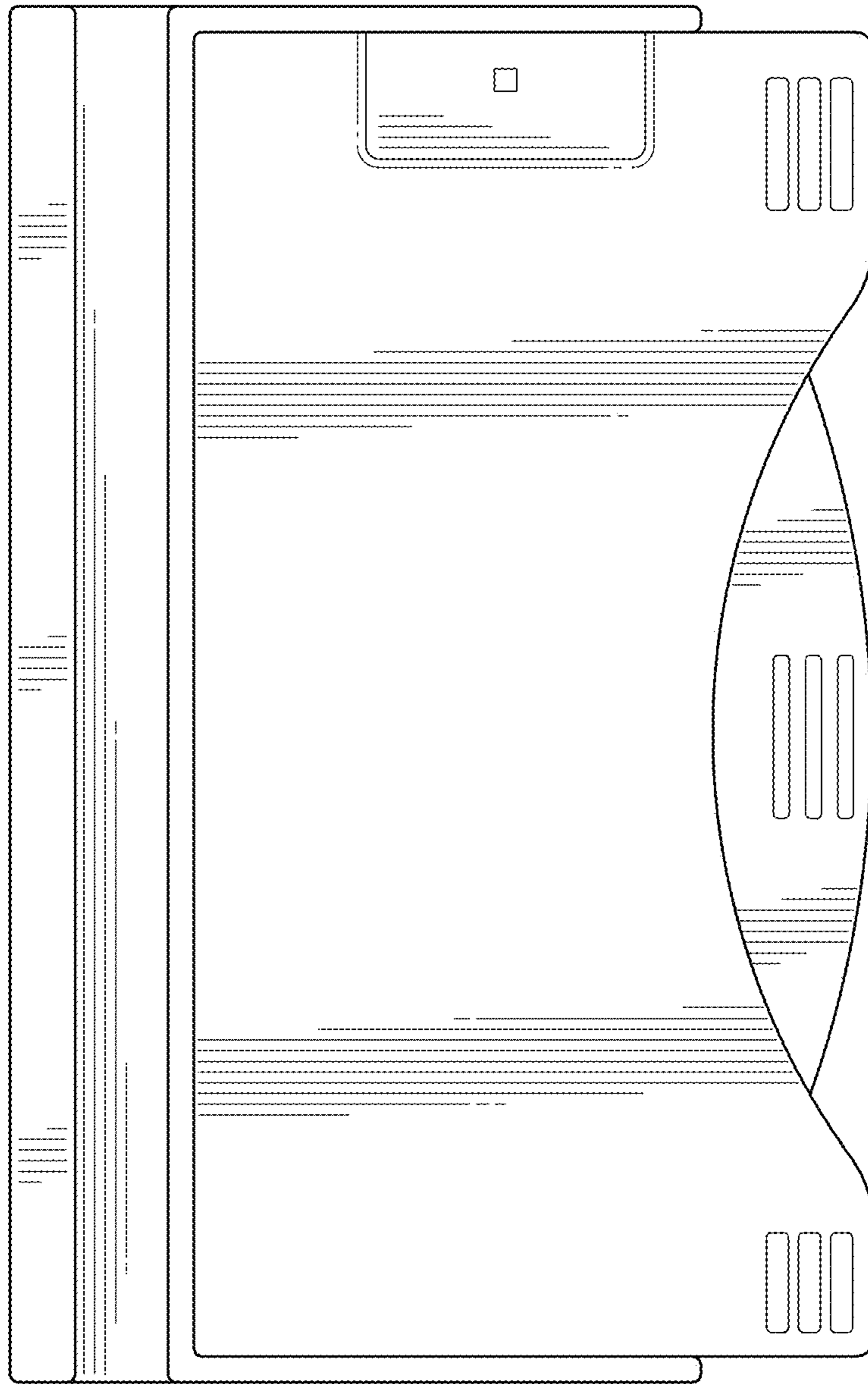


FIG. 6

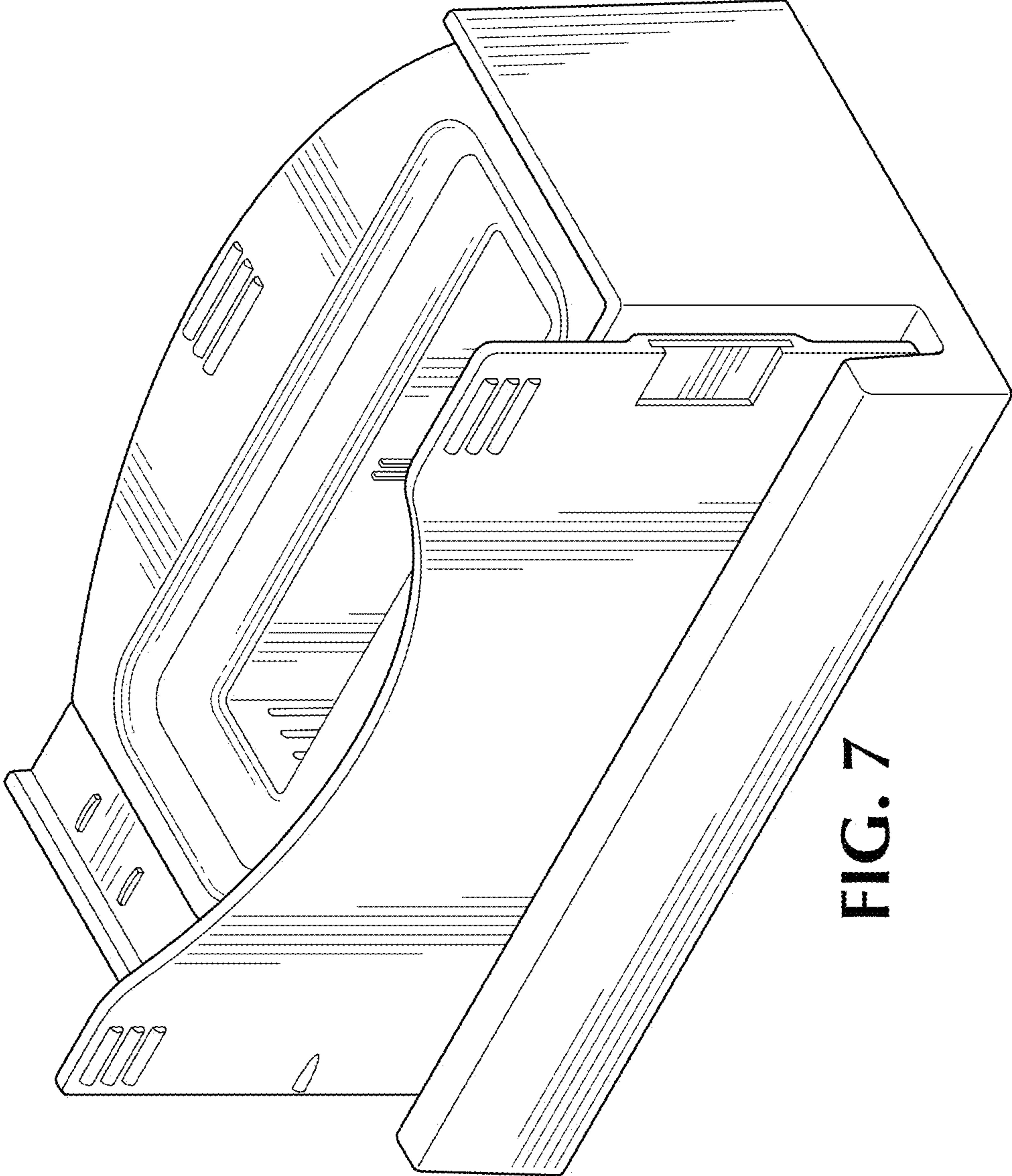


FIG. 7