



US00D745225S

(12) **United States Design Patent**
Siria-Womach

(10) **Patent No.:** **US D745,225 S**

(45) **Date of Patent:** **** Dec. 8, 2015**

(54) **TAMPER EVIDENT SAFETY SEAL**

(71) Applicant: **Denise Siria-Womach**, Spokane, WA
(US)

(72) Inventor: **Denise Siria-Womach**, Spokane, WA
(US)

(**) Term: **14 Years**

(21) Appl. No.: **29/498,286**

(22) Filed: **Aug. 1, 2014**

(51) **LOC (10) Cl.** **29-01**

(52) **U.S. Cl.**
USPC **D29/129**

(58) **Field of Classification Search**

USPC D29/129, 130, 125; D8/382, 394, 396;
24/16 PB; 292/322, 318, 307
CPC A62C 2/00; A62C 8/00; A62C 13/76
See application file for complete search history.

(56) **References Cited**

U.S. PATENT DOCUMENTS

6,449,808 B1 * 9/2002 Zappa et al. 24/16 PB
6,536,082 B2 * 3/2003 Berrocal et al. 24/16 PB
6,543,261 B2 * 4/2003 Kolton et al. 70/57.1
6,594,867 B1 * 7/2003 Pettersson 24/16 PB

6,595,733 B1 * 7/2003 Willert 411/311
7,595,733 B2 * 9/2009 Spagna 340/572.8
7,740,210 B2 * 6/2010 Pilon et al. 248/74.3
8,398,129 B2 * 3/2013 Hale et al. 292/307 R
8,480,140 B2 * 7/2013 Zhang 292/317
8,555,467 B2 * 10/2013 Kelly 24/16 PB
8,899,532 B2 * 12/2014 Tanaka 248/74.3

* cited by examiner

Primary Examiner — Randall Gholson

(74) *Attorney, Agent, or Firm* — Randall Danskin PS

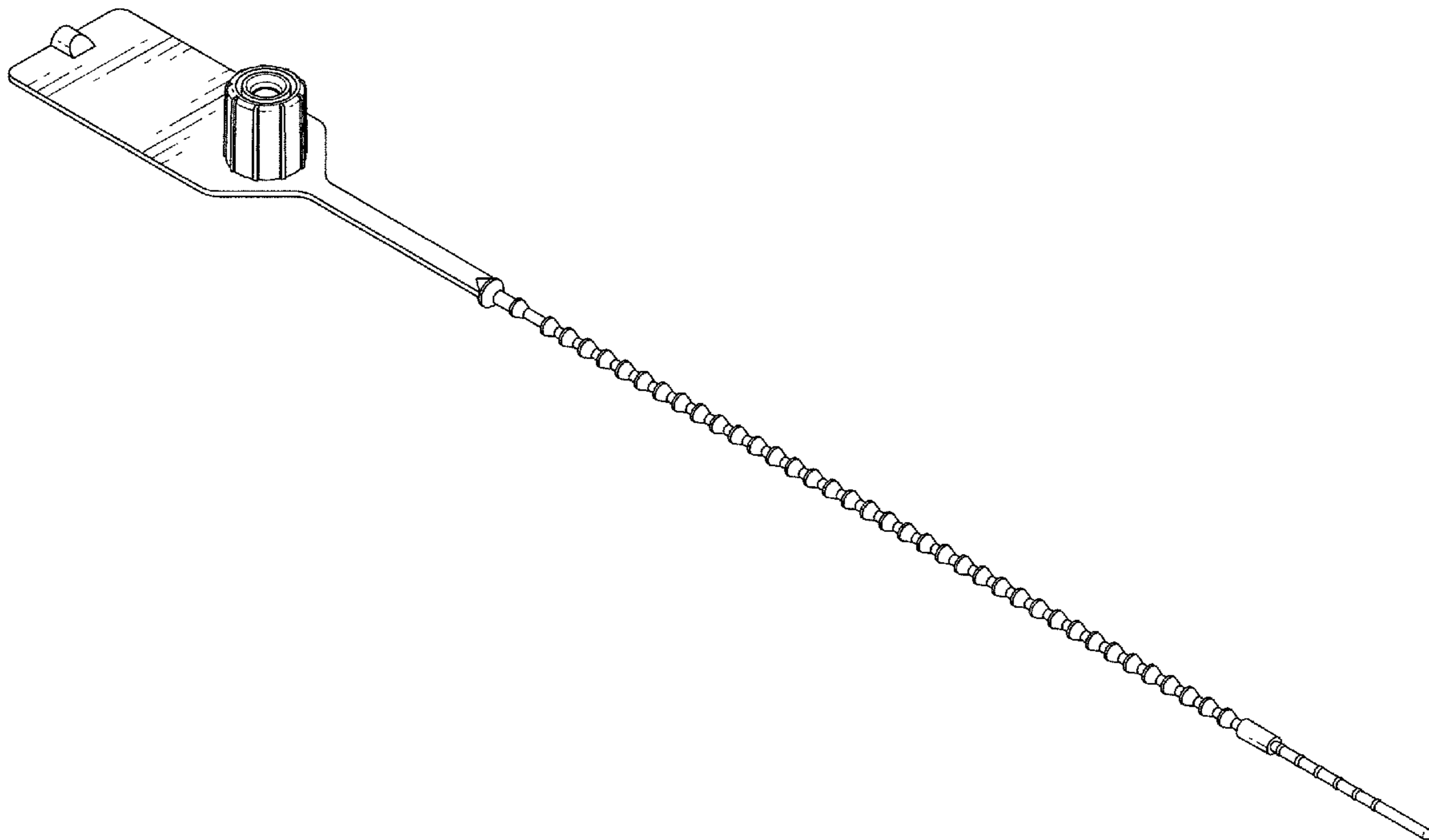
(57) **CLAIM**

The ornamental design for a tamper evident safety seal, as shown and described.

DESCRIPTION

FIG. 1 is a top, front side perspective view of my new design for a tamper evident safety seal;
FIG. 2 is a top side view thereof;
FIG. 3 is a bottom side view thereof;
FIG. 4 is a back side view thereof;
FIG. 5 is a front side view thereof;
FIG. 6 is a left side view thereof;
FIG. 7 is a right side view thereof; and,
FIG. 8 an alternate top, front side perspective view thereof showing a use configuration.

1 Claim, 3 Drawing Sheets



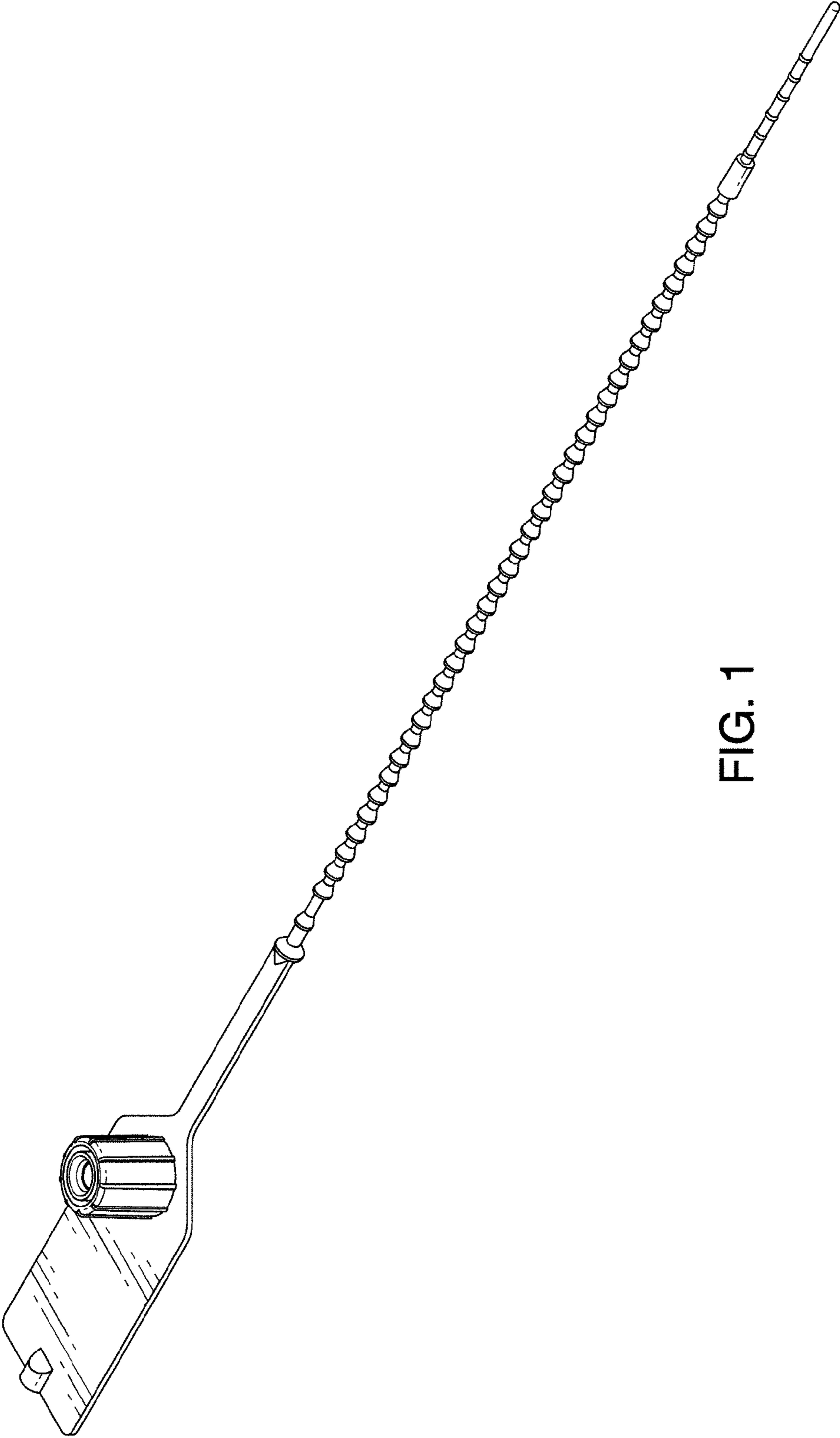


FIG. 1

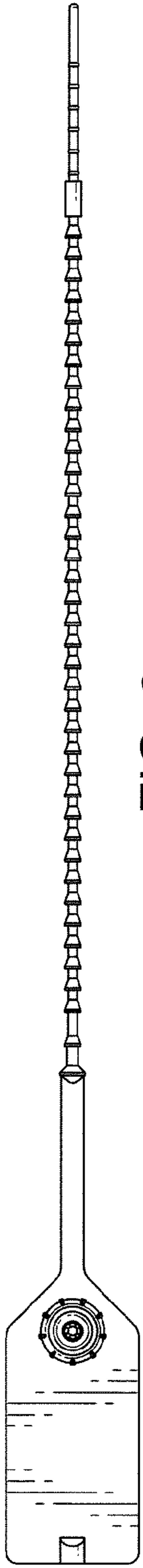


FIG. 2

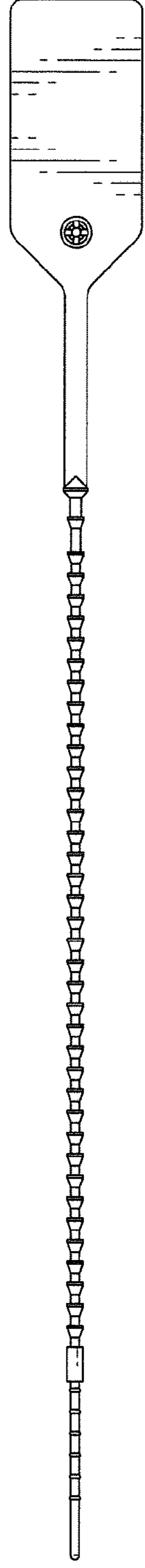


FIG. 3

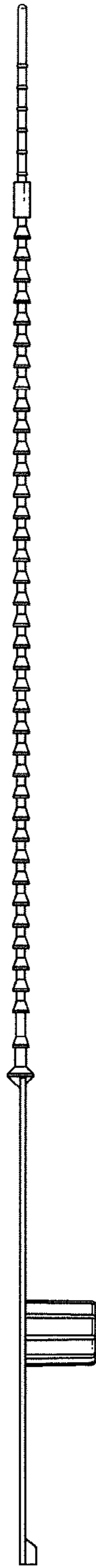


FIG. 4

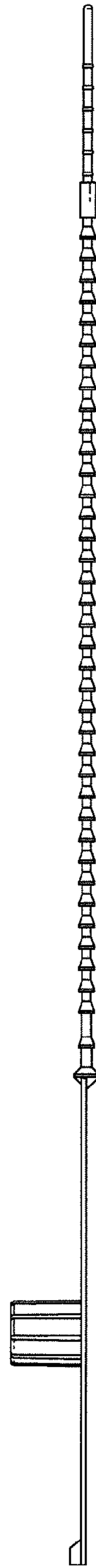


FIG. 5

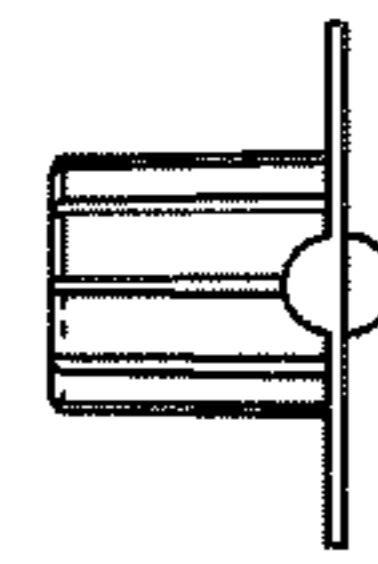


FIG. 6

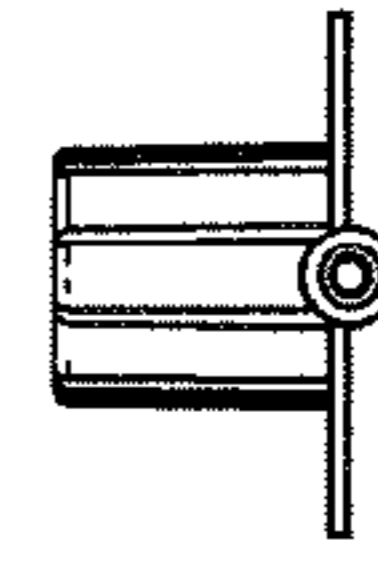


FIG. 7

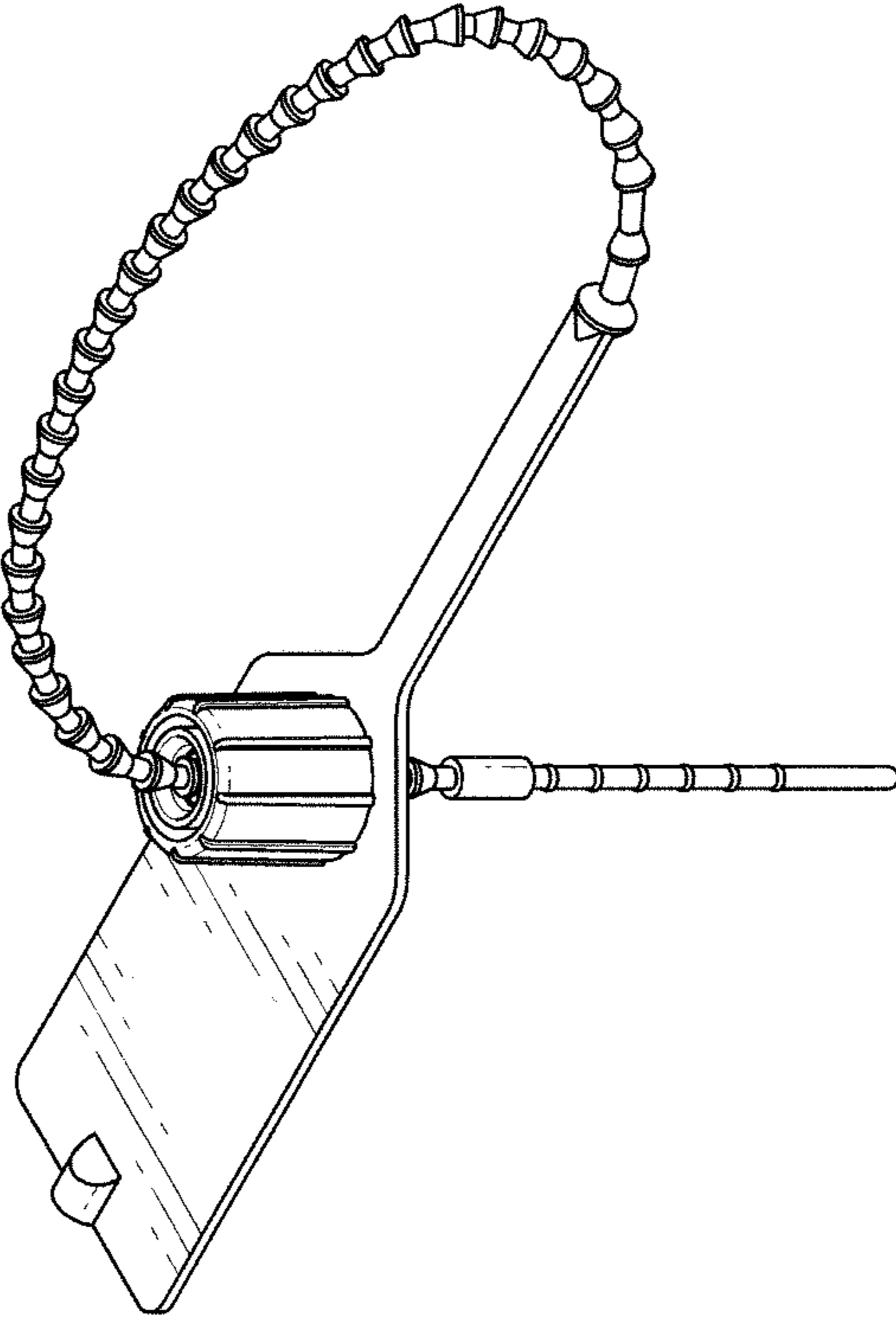


FIG. 8