



US00D745212S

(12) **United States Design Patent**
Bahbah et al.

(10) **Patent No.:** **US D745,212 S**
(45) **Date of Patent:** **** Dec. 8, 2015**

- (54) **ELECTRONIC HOOKAH BOWL**
- (71) Applicant: **Fantasia Distribution, Inc.**, Anaheim, CA (US)
- (72) Inventors: **Randy Jacob Bahbah**, Orange, CA (US); **Andrew Jacob Bahbah**, Anaheim, CA (US)
- (73) Assignee: **FANTASIA DISTRIBUTION, INC.**, Anaheim, CA (US)
- (**) Term: **14 Years**
- (21) Appl. No.: **29/496,536**
- (22) Filed: **Jul. 14, 2014**
- (51) **LOC (10) Cl.** **27-02**
- (52) **U.S. Cl.**
USPC **D27/162**
- (58) **Field of Classification Search**
USPC D27/162-169; 131/173, 178, 214, 222, 131/226, 329, 330; 215/370
CPC A24F 1/00; A24F 1/30; A24F 1/32; A24F 3/00; A24F 5/00; A24F 7/00; A24F 9/00; A24F 9/14
See application file for complete search history.

D729,975 S * 5/2015 Mehio D27/162
 D731,113 S * 6/2015 Wu D27/101
 2007/0215164 A1* 9/2007 Mehio A24F 1/30
 131/173
 2013/0319437 A1 12/2013 Liu
 2014/0144452 A1 5/2014 Liu et al.

FOREIGN PATENT DOCUMENTS

CN 203378553 U 1/2014

* cited by examiner

Primary Examiner — Elizabeth Albert

(74) *Attorney, Agent, or Firm* — Vista IP Law Group LLP

(57) **CLAIM**

The ornamental design for an electronic hookah bowl, as shown and described.

DESCRIPTION

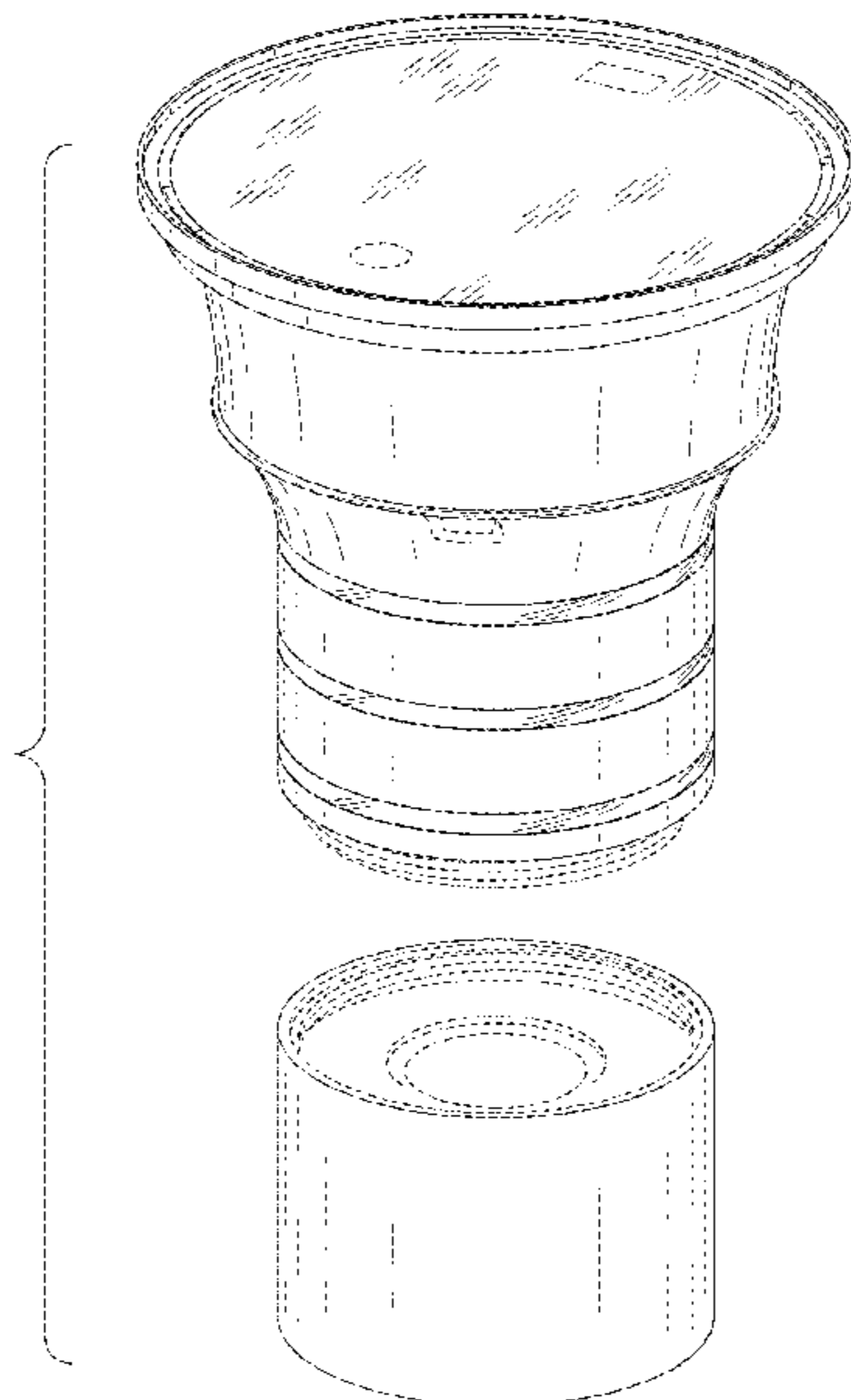
FIG. 1 is a perspective view of an electronic hookah bowl showing our new design;
 FIG. 2 is a front view thereof;
 FIG. 3 is a back view thereof;
 FIG. 4 is a right side view thereof;
 FIG. 5 is a left side view thereof;
 FIG. 6 is a top view thereof;
 FIG. 7 is a bottom view thereof;
 FIG. 8 is an exploded perspective view thereof;
 FIG. 9 is an exploded front view thereof;
 FIG. 10 is an exploded back view thereof;
 FIG. 11 is an exploded right side view thereof;
 FIG. 12 is an exploded left side view thereof;
 FIG. 13 is an exploded top view thereof; and,
 FIG. 14 is an exploded bottom view thereof.

The broken lines shown in the drawings represent portions of the electronic hookah bowl that form no part of the claimed design.

1 Claim, 8 Drawing Sheets

(56) **References Cited**
U.S. PATENT DOCUMENTS

- D288,527 S * 3/1987 Maguire D9/431
- D317,405 S * 6/1991 Yasika D3/203.2
- D663,969 S * 7/2012 Hundley D6/677
- D684,312 S * 6/2013 Badawi D27/162
- 8,459,269 B2* 6/2013 Zoumut A24F 1/30
131/173
- 8,464,725 B2* 6/2013 Badawi A24D 1/14
131/173



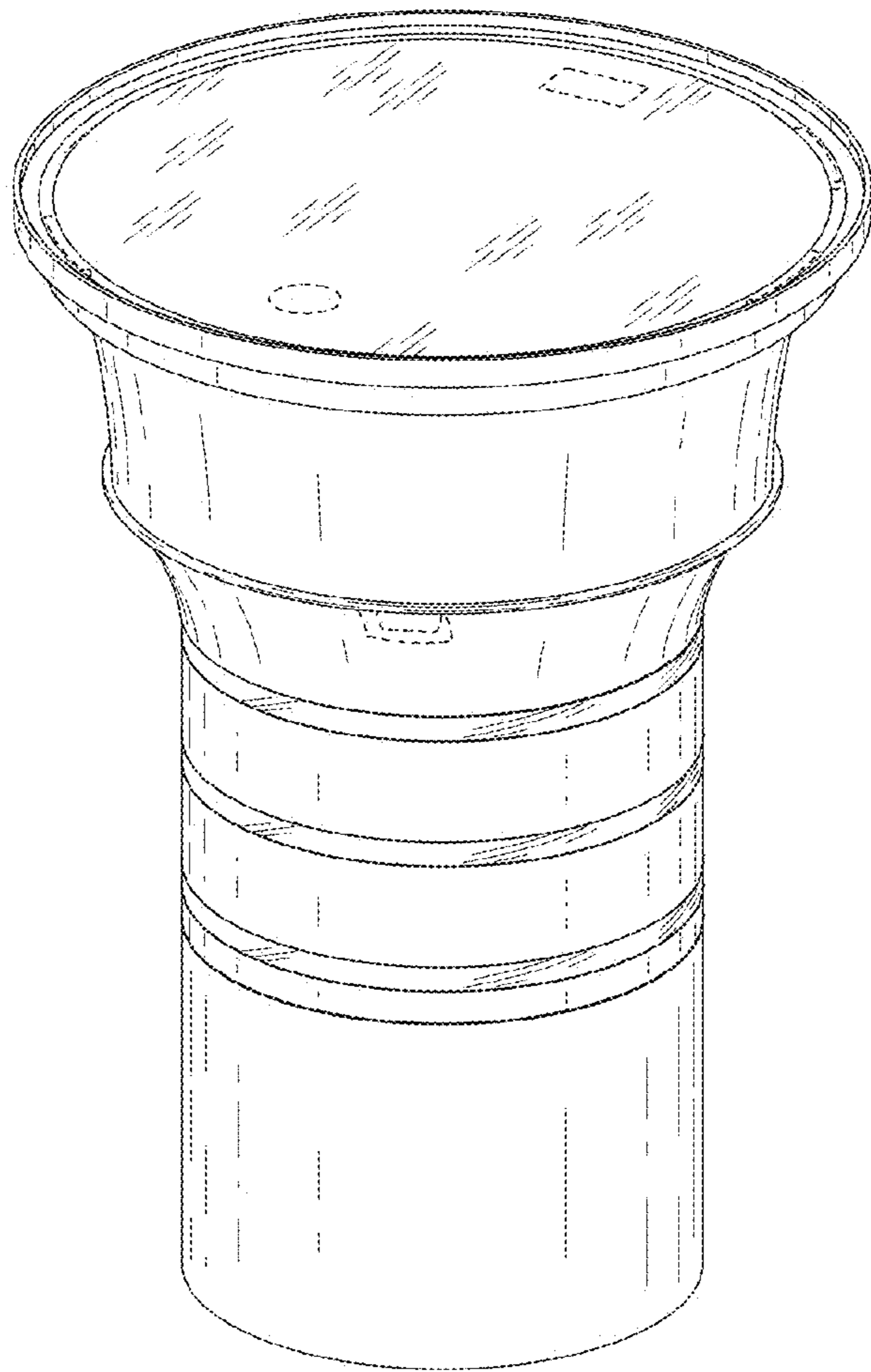


Fig. 1

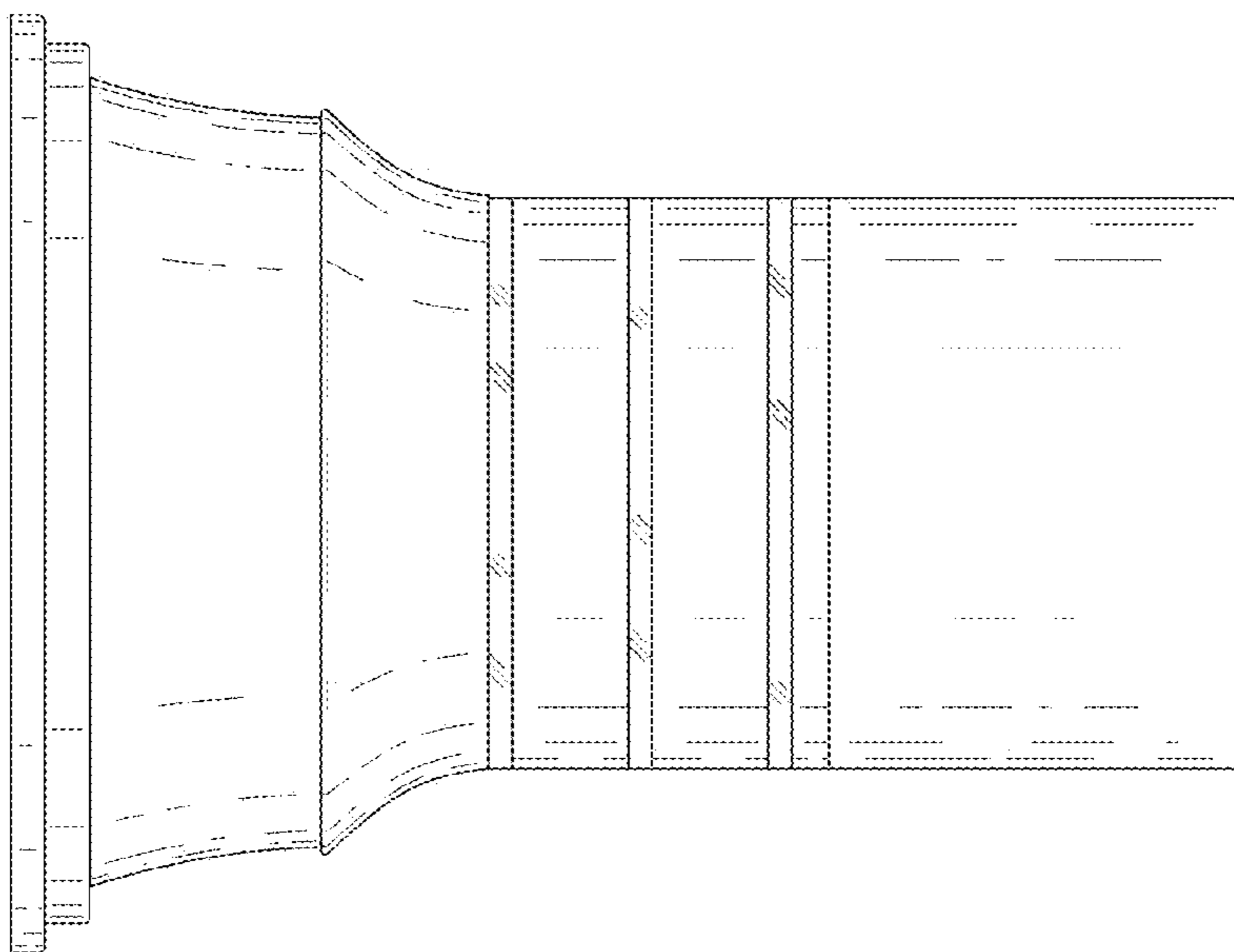


Fig. 3

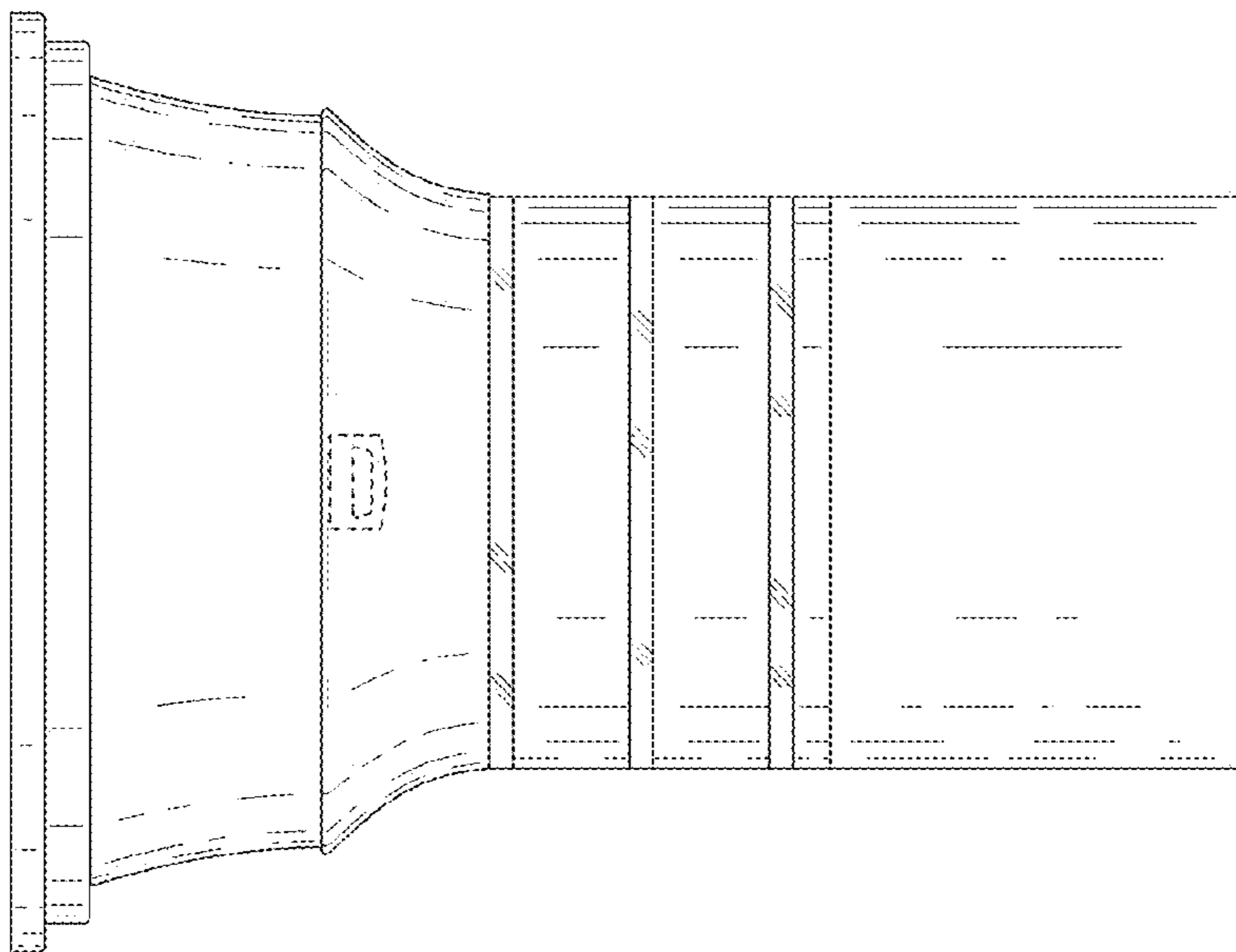


Fig. 2

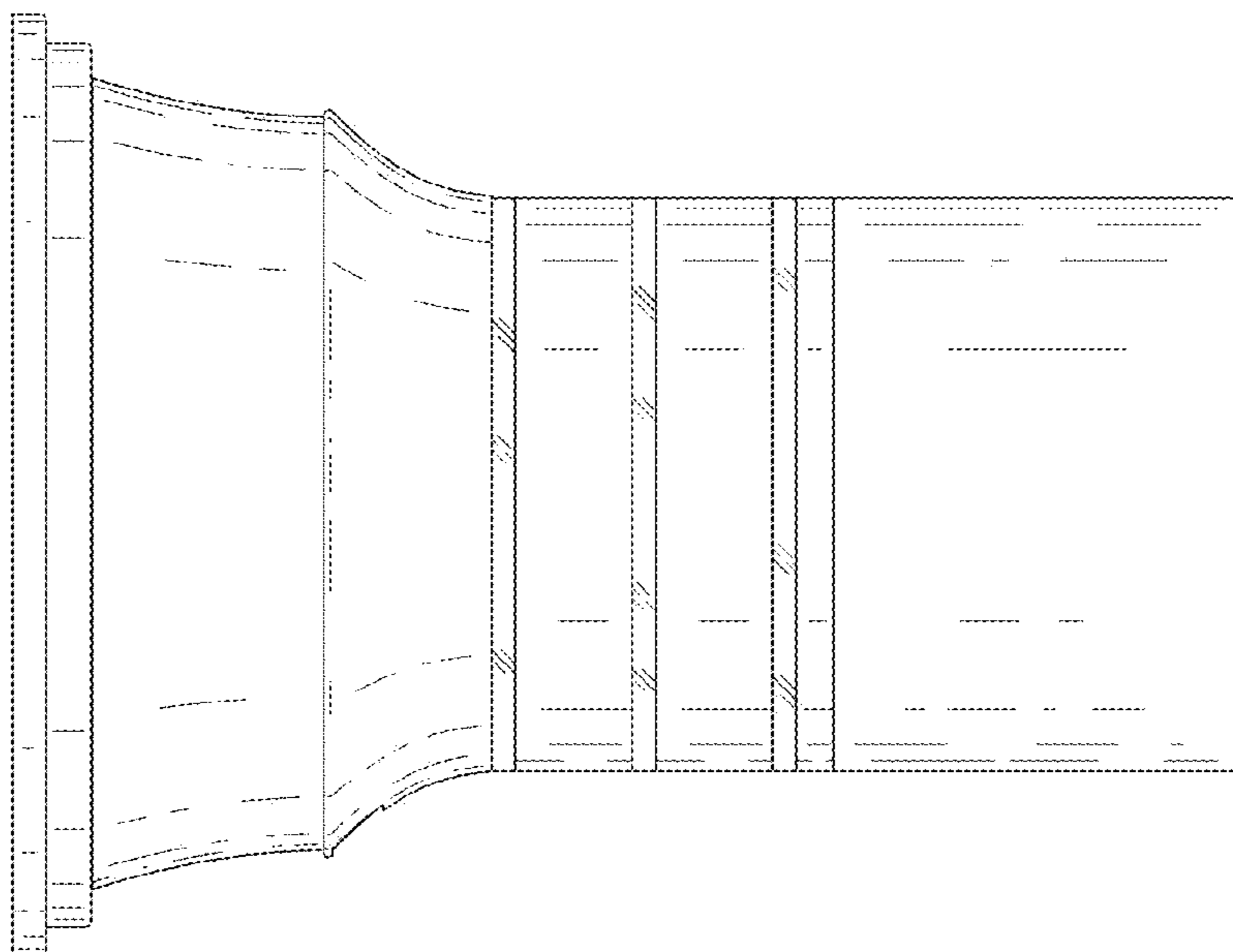


Fig. 5

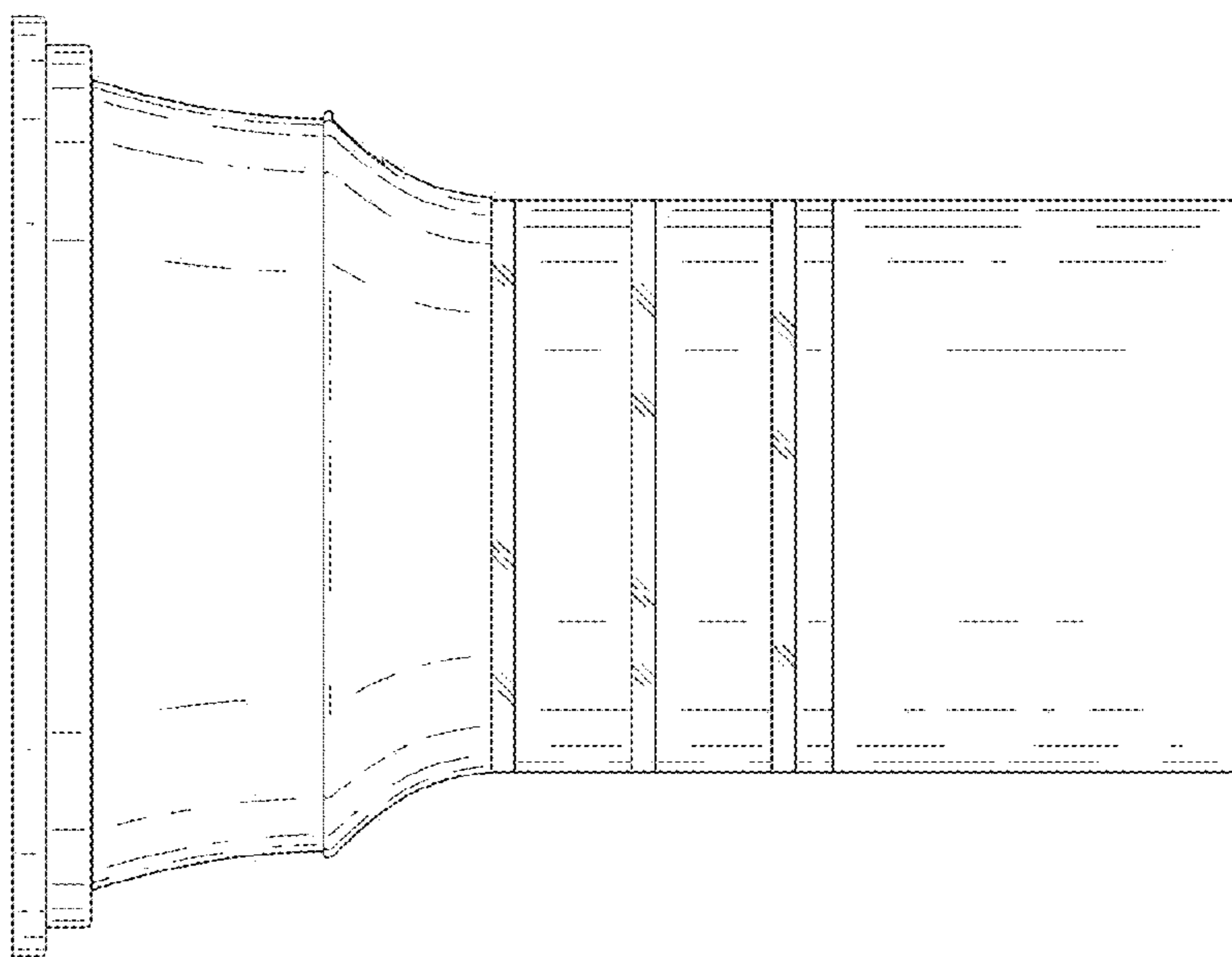


Fig. 4

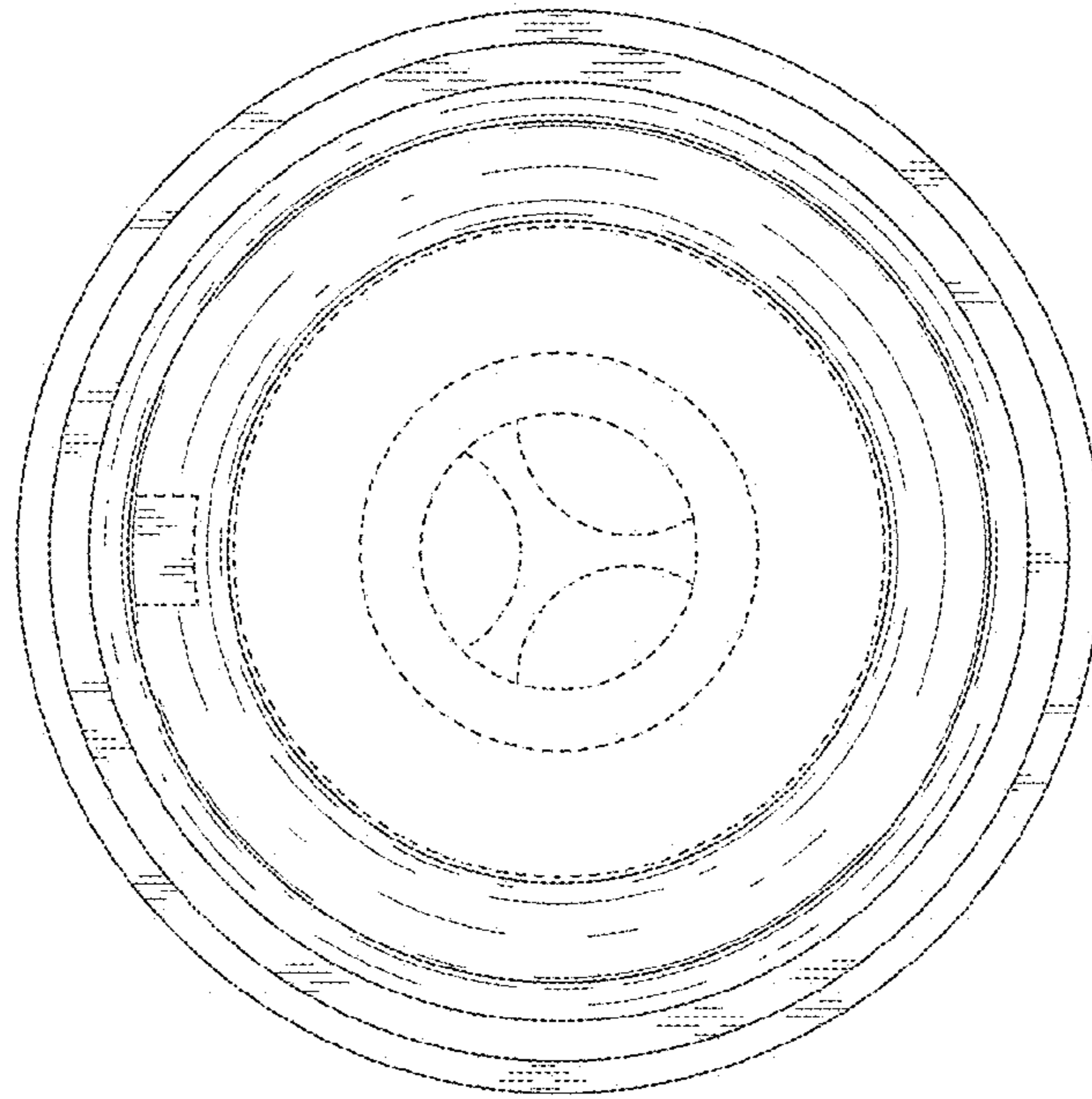


Fig. 7

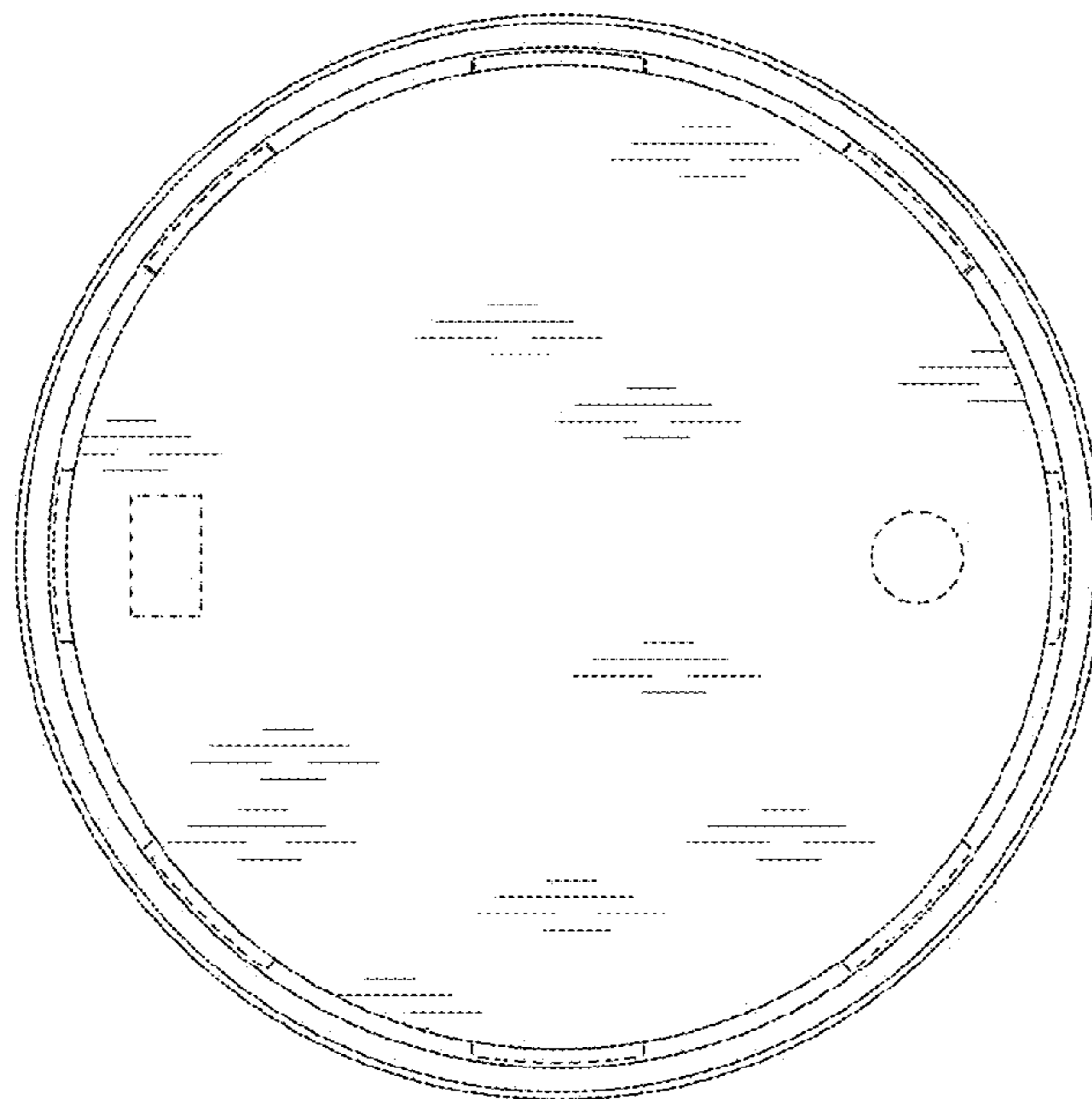


Fig. 6

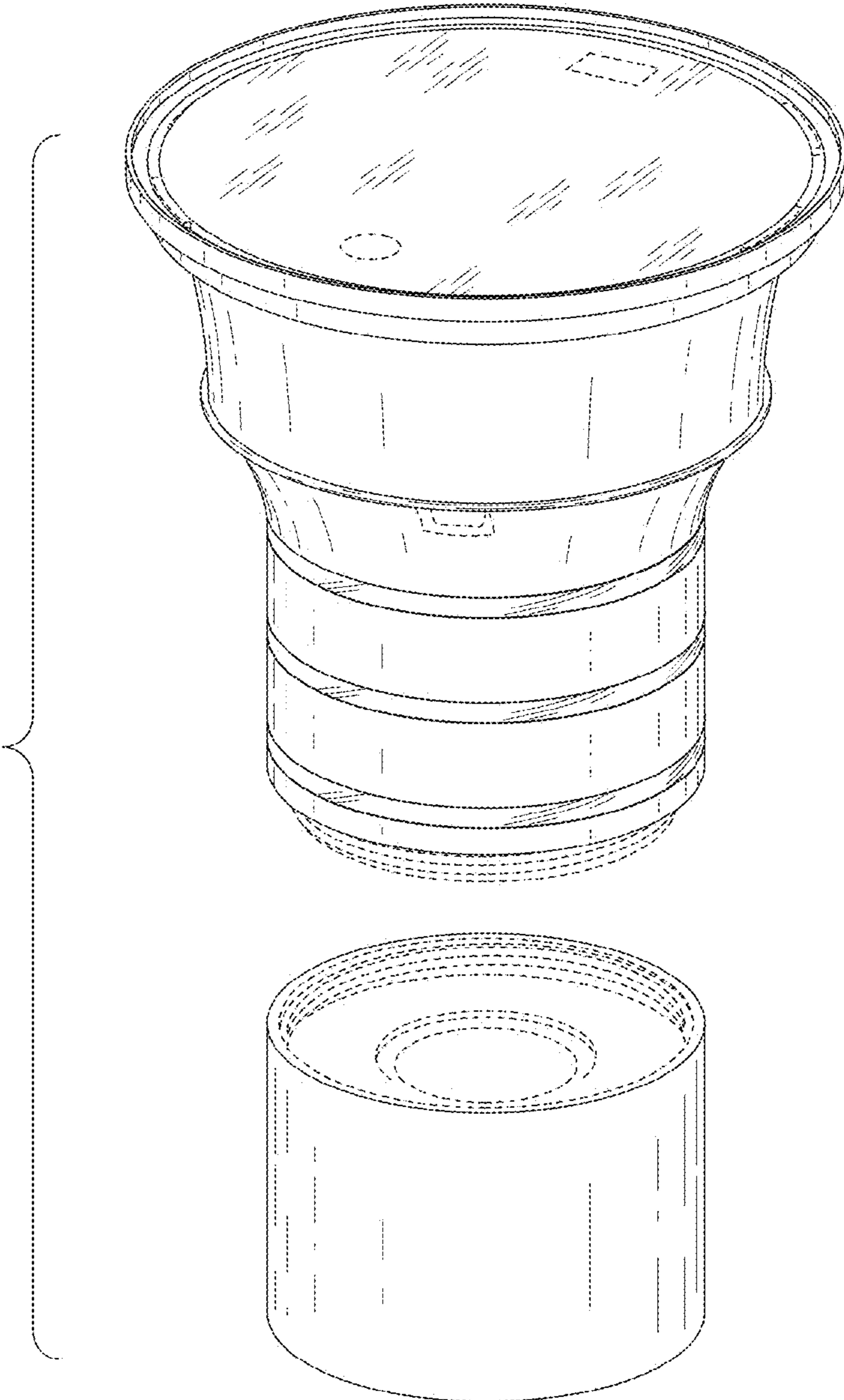


Fig. 8

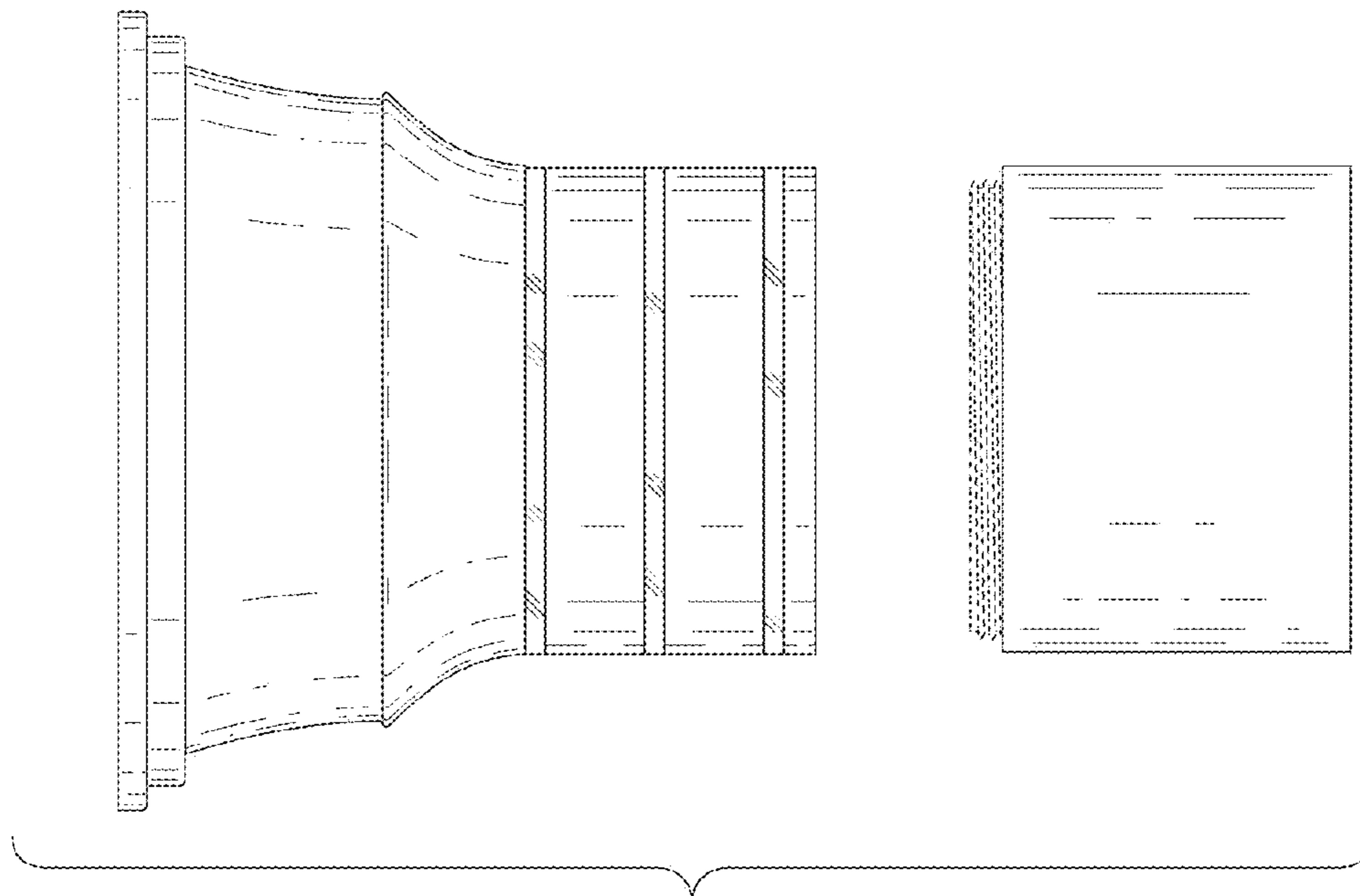


Fig. 10

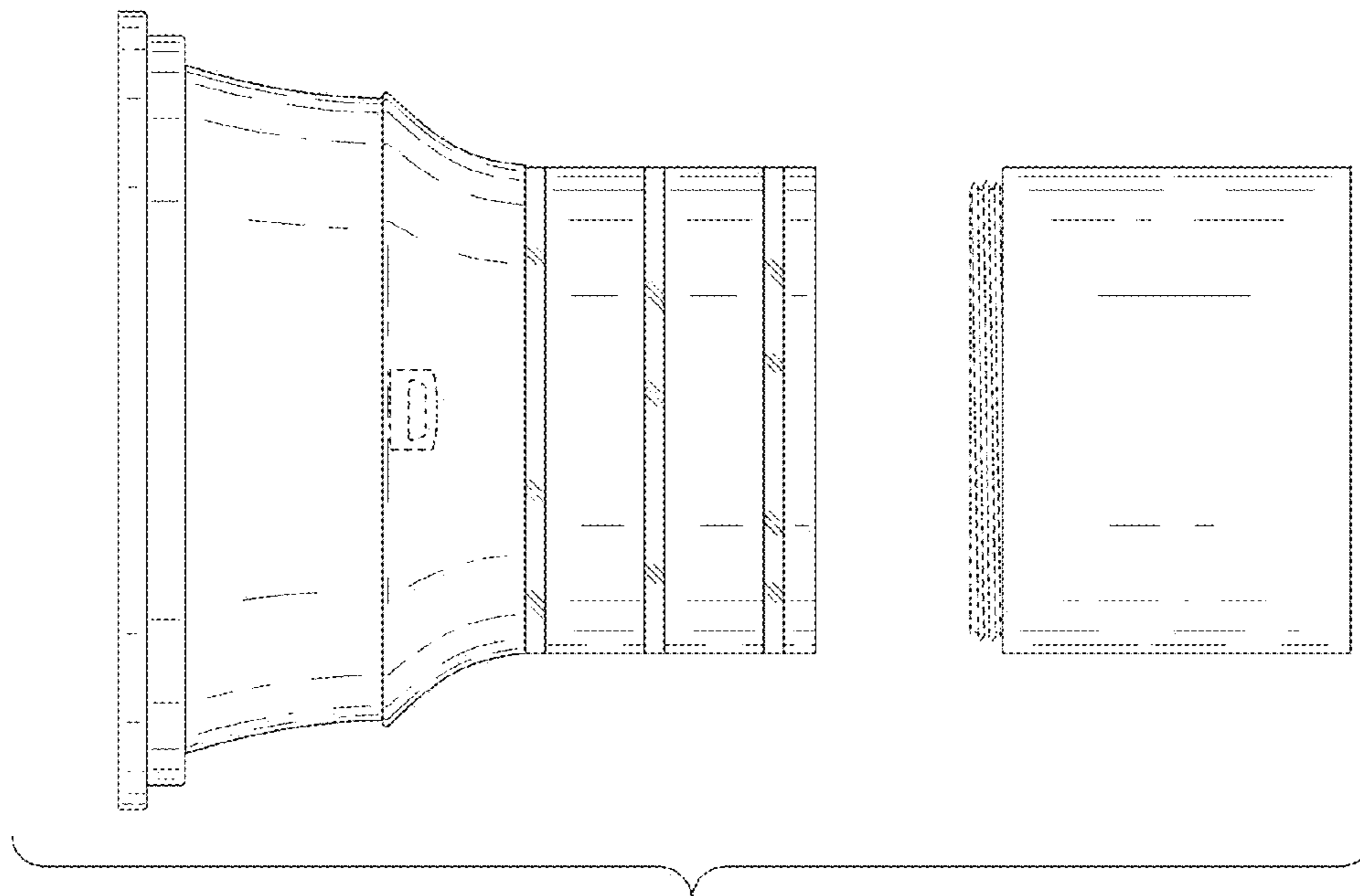


Fig. 9

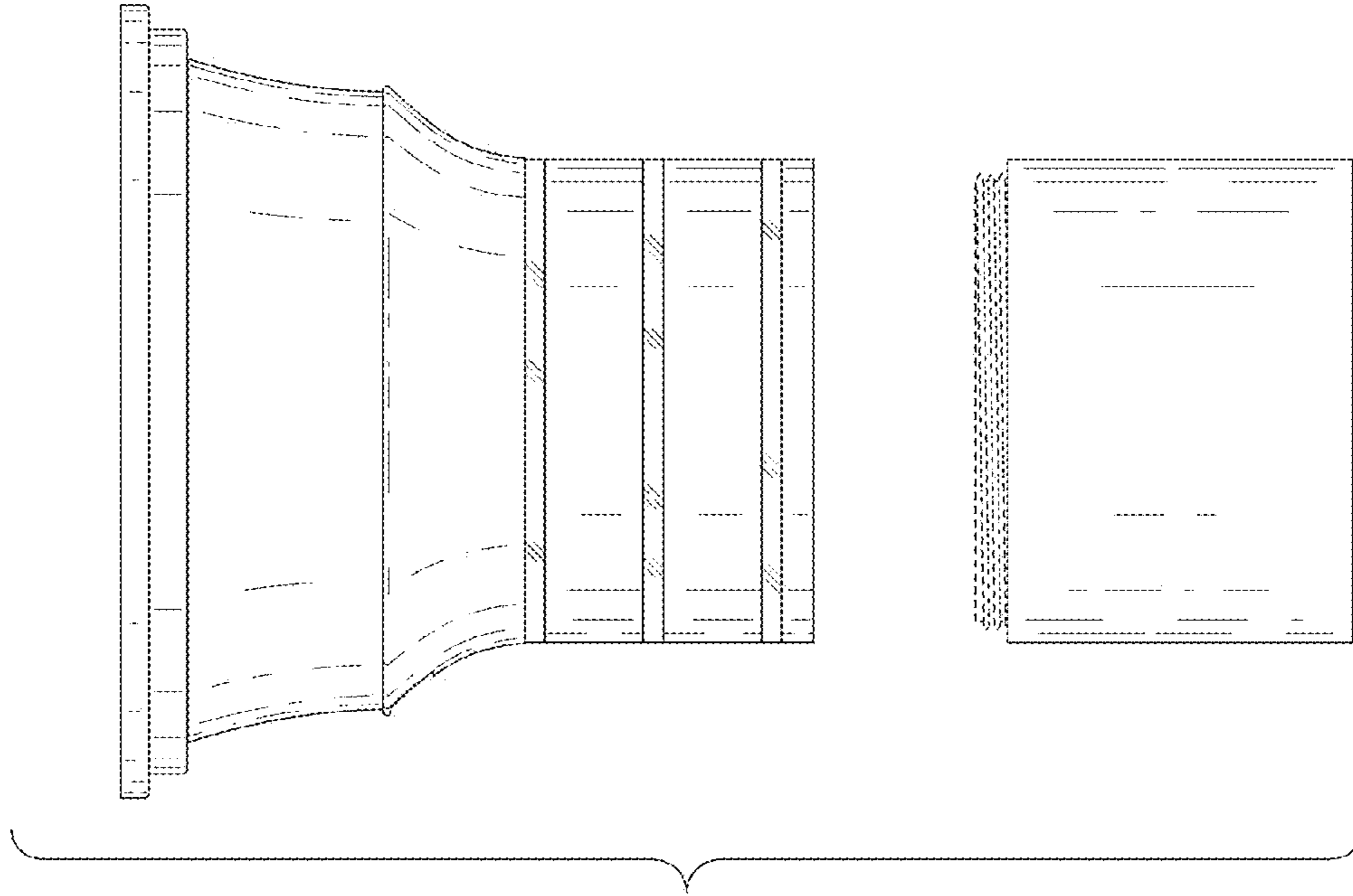


Fig. 12

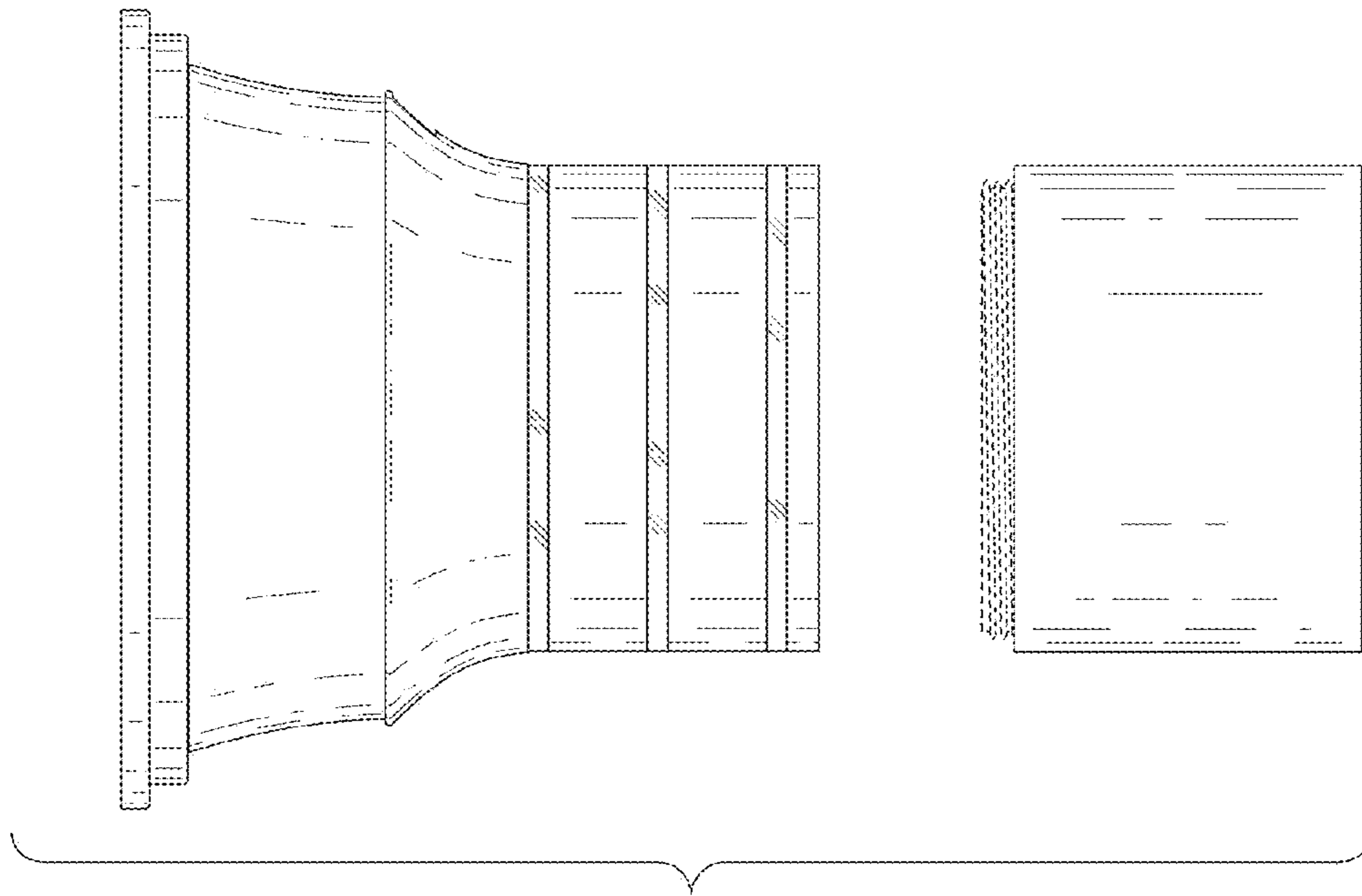


Fig. 11

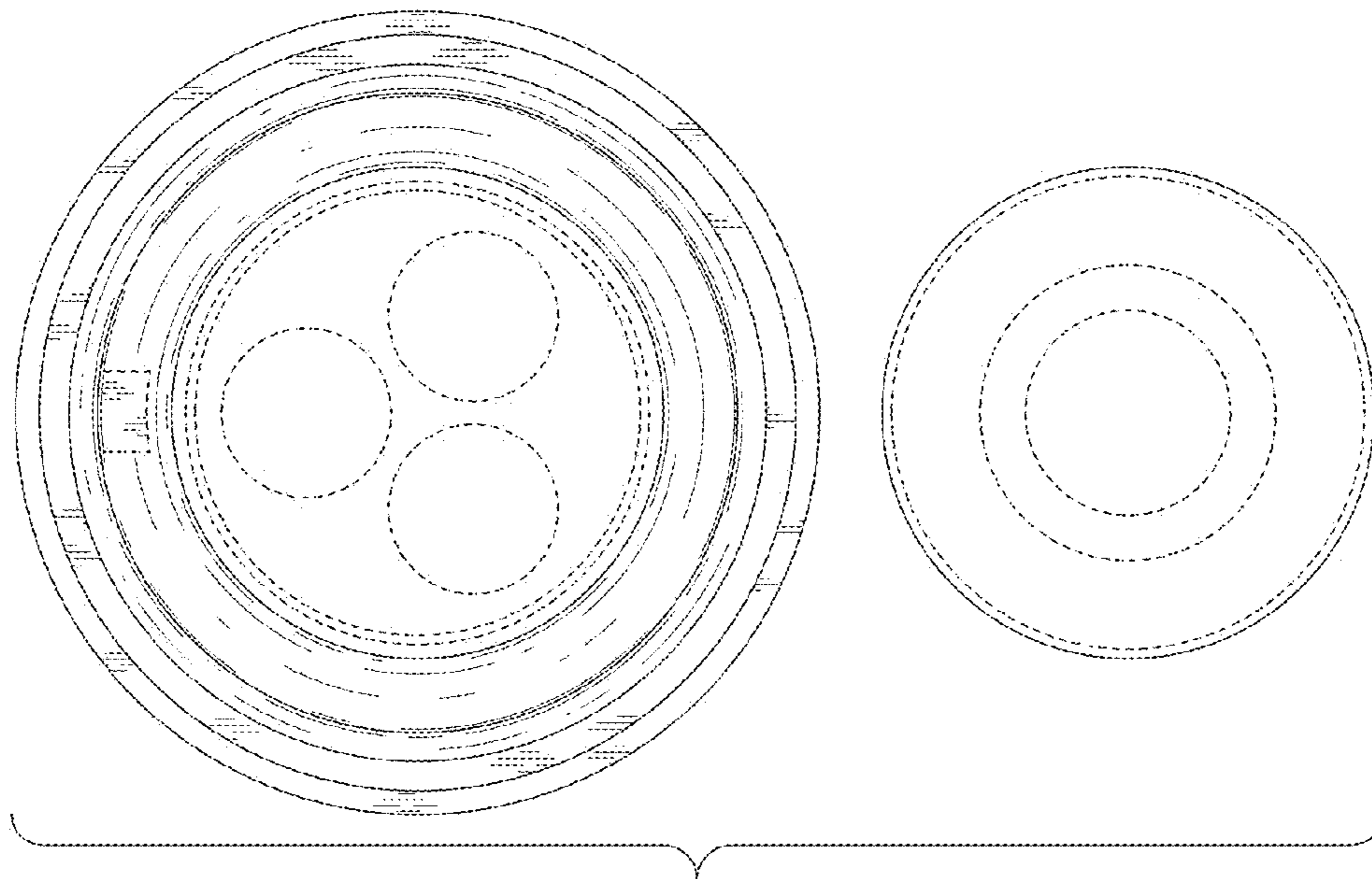


Fig. 14

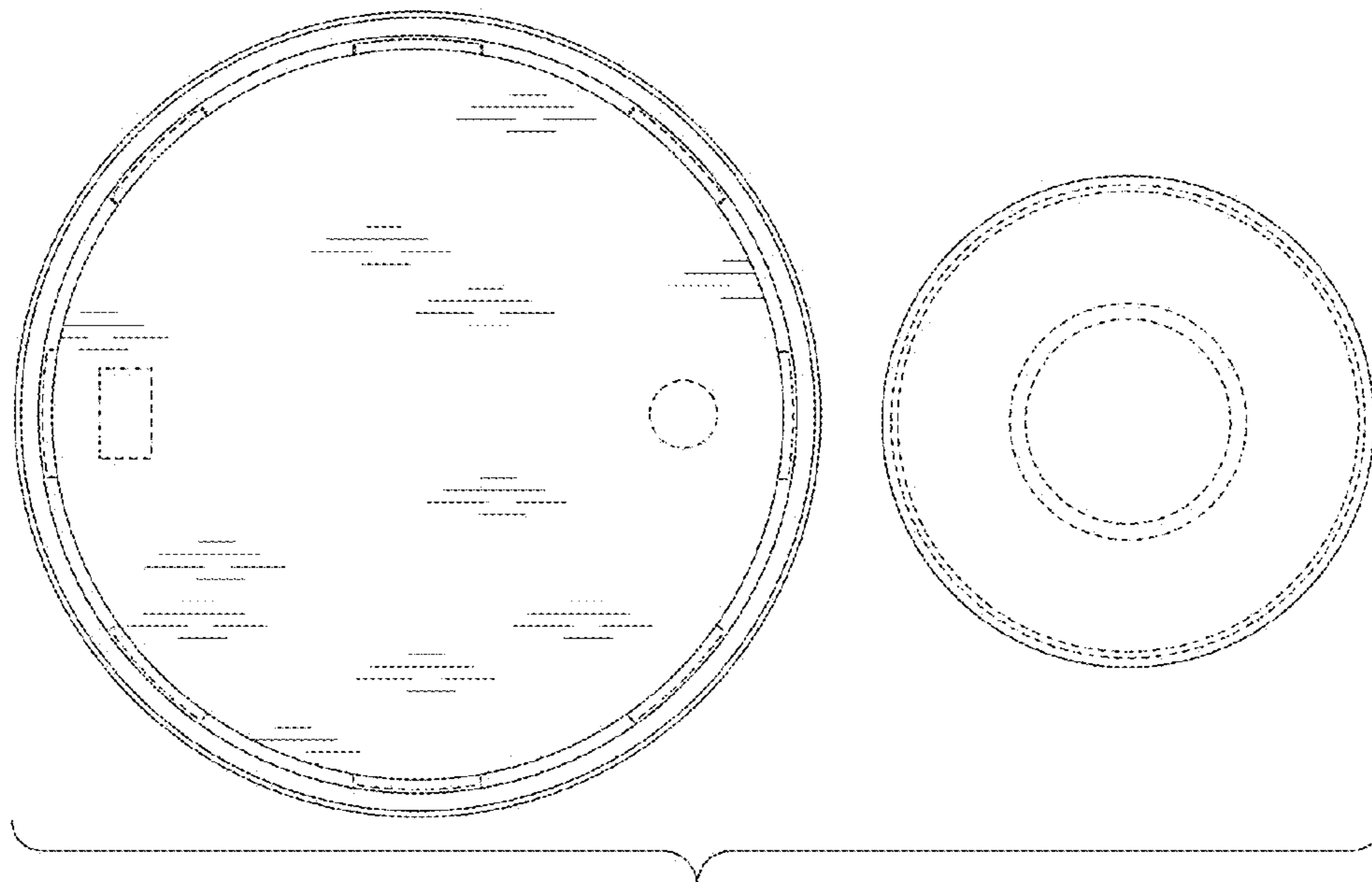


Fig. 13