

US00D745211S

(12) **United States Design Patent**
Serwacki et al.

(10) **Patent No.:** **US D745,211 S**
(45) **Date of Patent:** **** Dec. 8, 2015**

(54) **LIGHTING ASSEMBLY**
(71) Applicant: **Molex Incorporated**, Lisle, IL (US)
(72) Inventors: **Megan Serwacki**, Oswego, IL (US);
Victor Zaderej, St. Charles, IL (US);
Michael Picini, Aurora, IL (US);
Gregory Kuchuris, Wheaton, IL (US);
Daniel McGowan, Glen Ellyn, IL (US);
Timothy Canzano, Glen Ellyn, IL (US)

(73) Assignee: **Molex Incorporated**, Lisle, IL (US)

(**) Term: **14 Years**

(21) Appl. No.: **29/483,565**

(22) Filed: **Feb. 28, 2014**

(51) **LOC (10) Cl.** **26-99**

(52) **U.S. Cl.**

USPC **D26/138**

(58) **Field of Classification Search**

USPC D26/76, 78, 79, 80, 81, 82, 83, 85, 86,
D26/88, 90, 113, 118, 119, 120, 121, 122,
D26/138, 139, 140, 141, 142; 362/23.07,
362/23.09, 23.16, 217.01, 217.02, 217.05,
362/217.08, 217.09, 218, 249.02, 260,
362/311.02, 555, 612, 614, 800
CPC F21S 2/00; F21S 4/00; F21S 4/003;
F21S 4/005; F21S 4/006; F21S 4/007; F21S
4/008; F21S 6/00; F21S 8/00; F21S 8/024;
F21S 8/026; F21S 8/031; F21S 8/033; F21S
8/035-8/037; F21S 8/04; F21S 8/043; F21S
8/063

See application file for complete search history.

(56) **References Cited**

U.S. PATENT DOCUMENTS

D32,793 S * 6/1900 Fauber D26/139
D397,472 S * 8/1998 Lecluze D26/118
D437,654 S * 2/2001 Chen D26/74
D533,959 S * 12/2006 Wambaugh et al. D26/138

D548,391 S * 8/2007 Lecluze D26/138
D562,490 S * 2/2008 Rashidi D26/138
D622,443 S * 8/2010 Huang D26/142
D655,849 S * 3/2012 Sabernig D26/89
D663,888 S 7/2012 Davis
D712,082 S * 8/2014 Harpenau et al. D26/74
D723,153 S * 2/2015 Borkholder D26/74
D726,950 S * 4/2015 Serwacki et al. D26/74
2012/0224375 A1 * 9/2012 Zaderej et al. 362/382

FOREIGN PATENT DOCUMENTS

JP D1335394 7/2008
TW 552071 9/2003
TW D134906 5/2010

OTHER PUBLICATIONS

The Search Report cited in the Office Action for the related Taiwan Design Application No. 103305060 dated Mar. 11, 2015, one (1) sheet.

* cited by examiner

Primary Examiner — George D Kirschbaum

Assistant Examiner — Natasha Vujcic

(74) *Attorney, Agent, or Firm* — Banner & Witcoff, Ltd.

(57) **CLAIM**

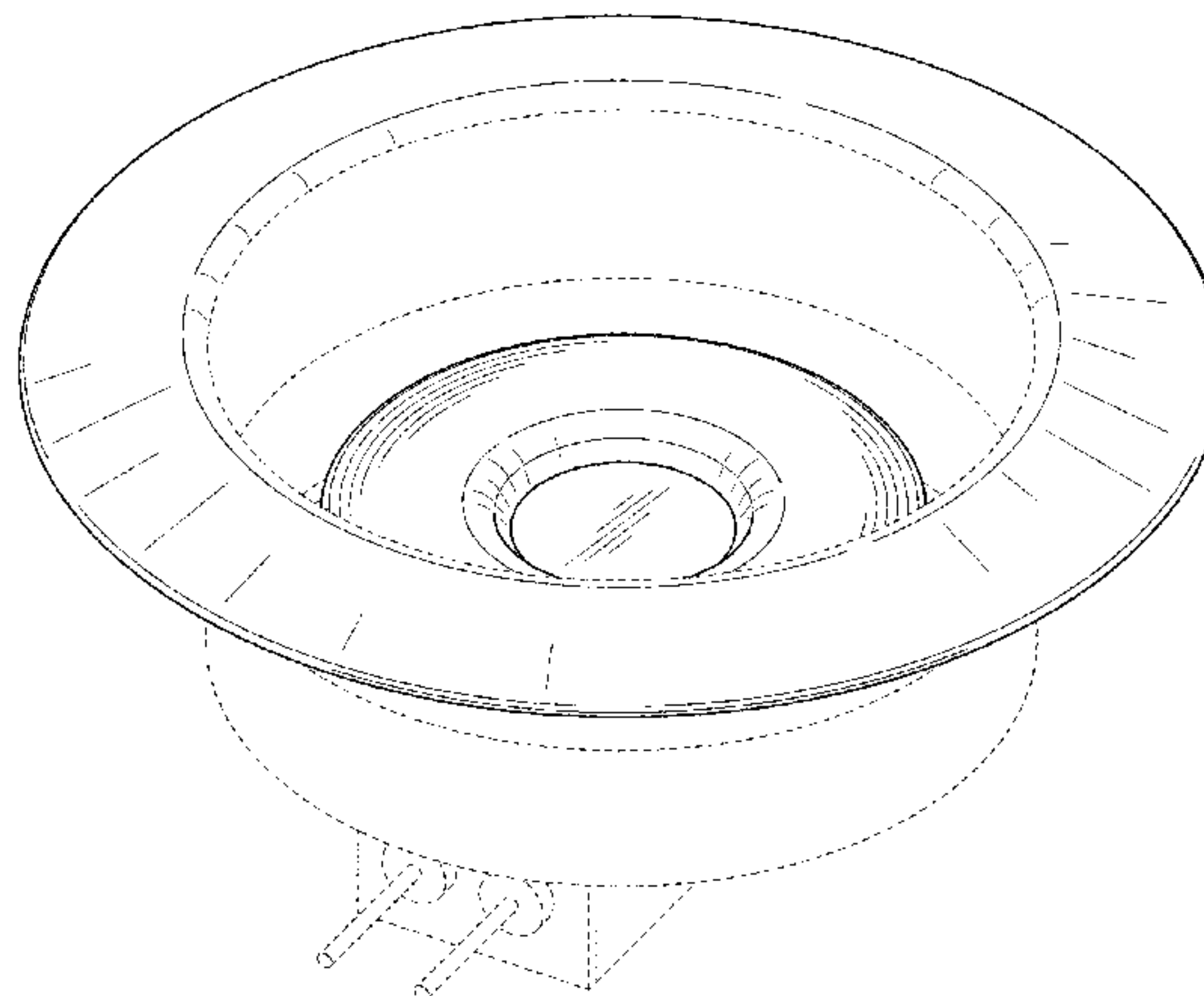
The ornamental design for a lighting assembly, as shown and described.

DESCRIPTION

FIG. 1 is a front perspective view of a lighting assembly showing our new design;
FIG. 2 is a front view thereof;
FIG. 3 is a rear view thereof;
FIG. 4 is a right side view thereof;
FIG. 5 is a left side view thereof;
FIG. 6 is a top view thereof; and,
FIG. 7 is a bottom view thereof.

The broken lines in the drawings illustrate the environment of the lighting assembly which forms no part of the claimed design.

1 Claim, 5 Drawing Sheets



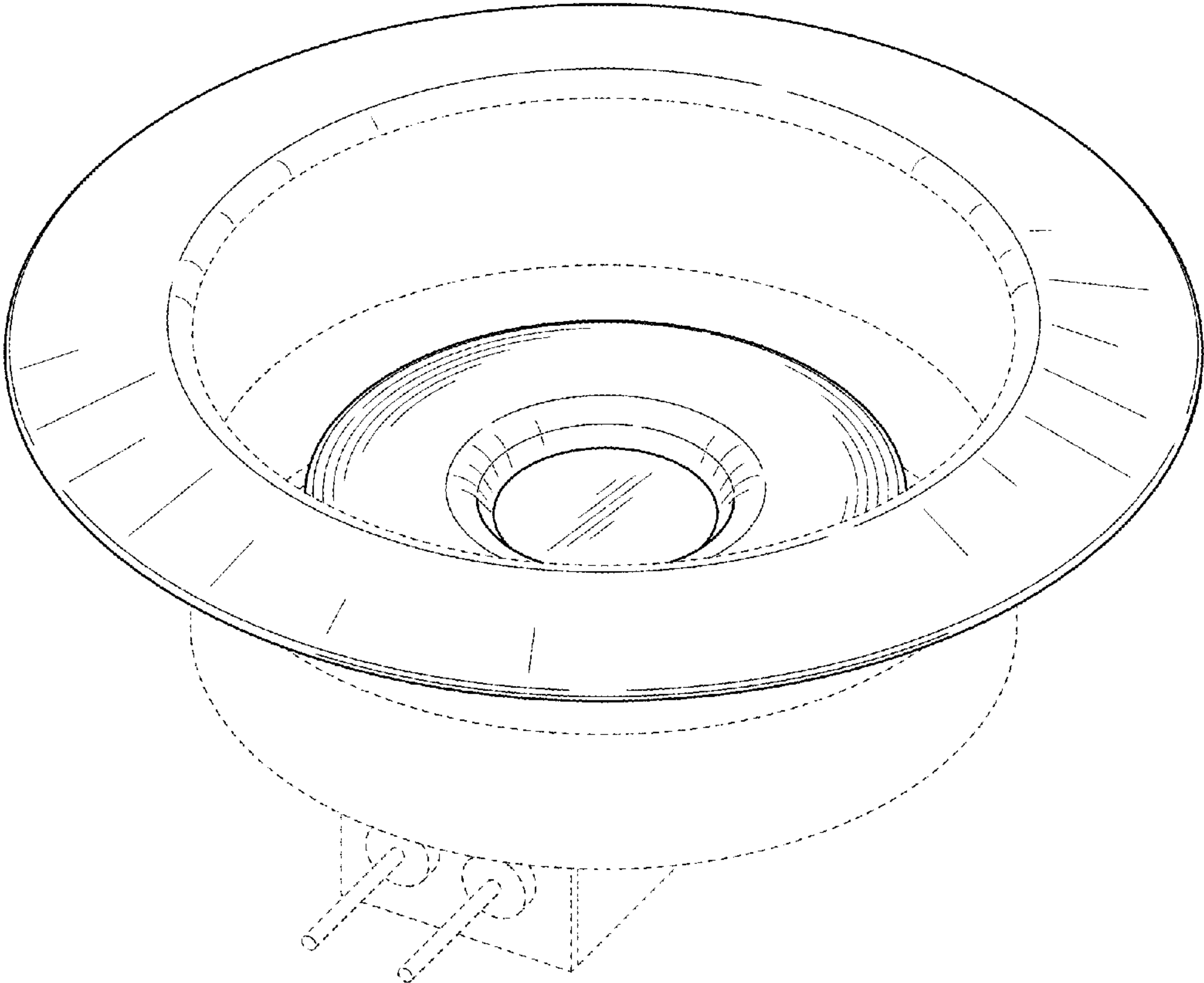


FIG. 1

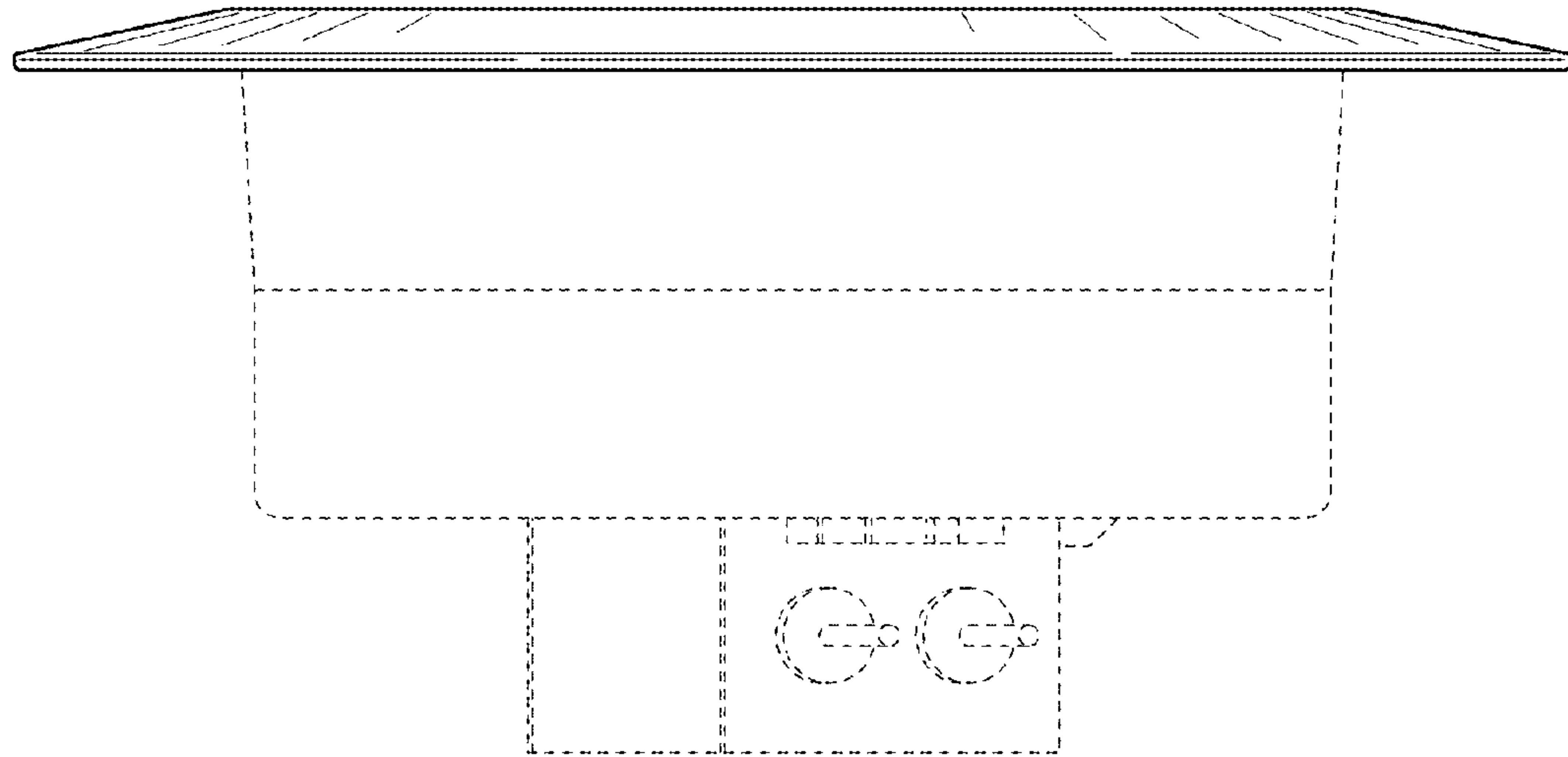


FIG. 2

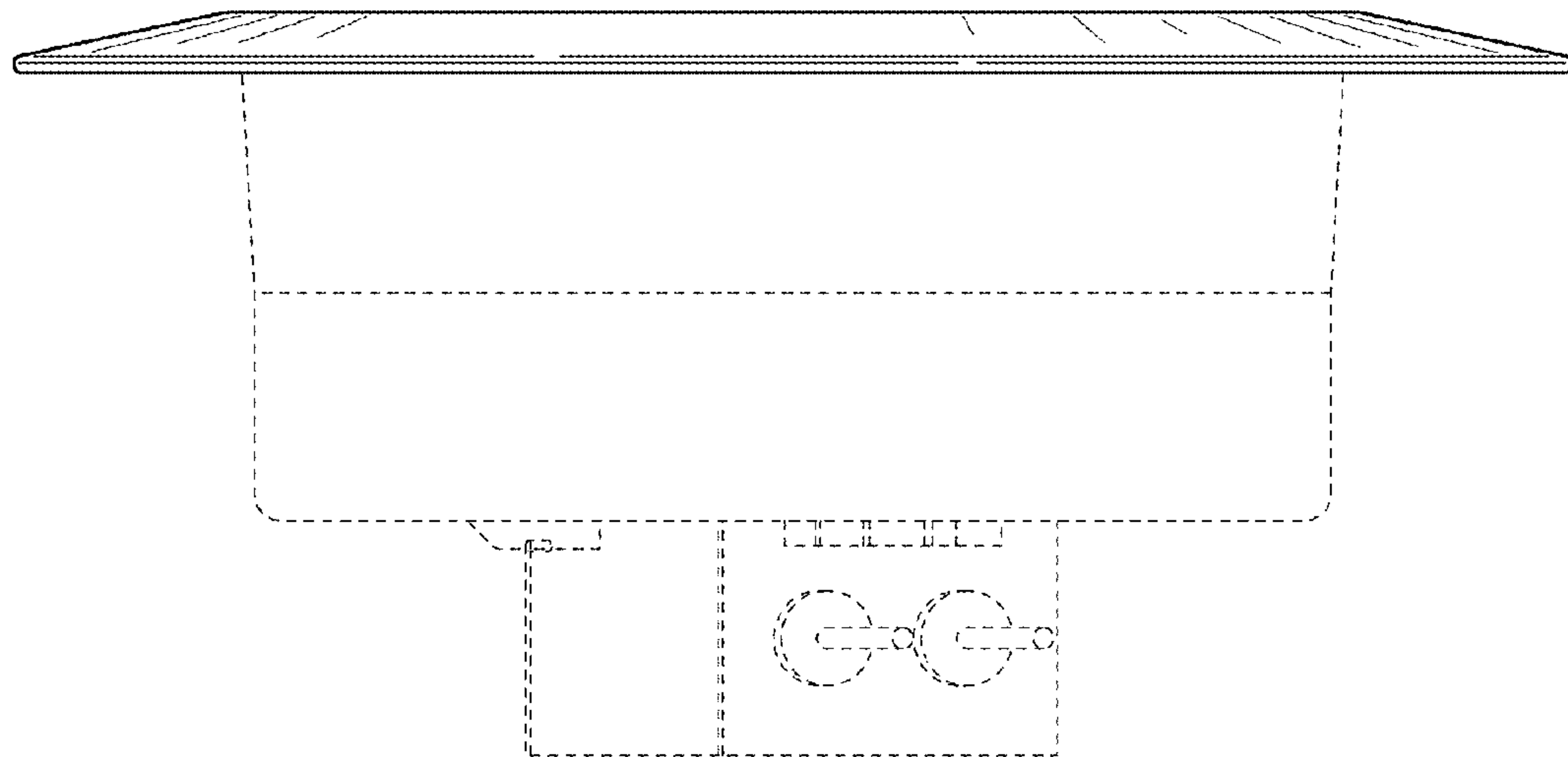


FIG. 3

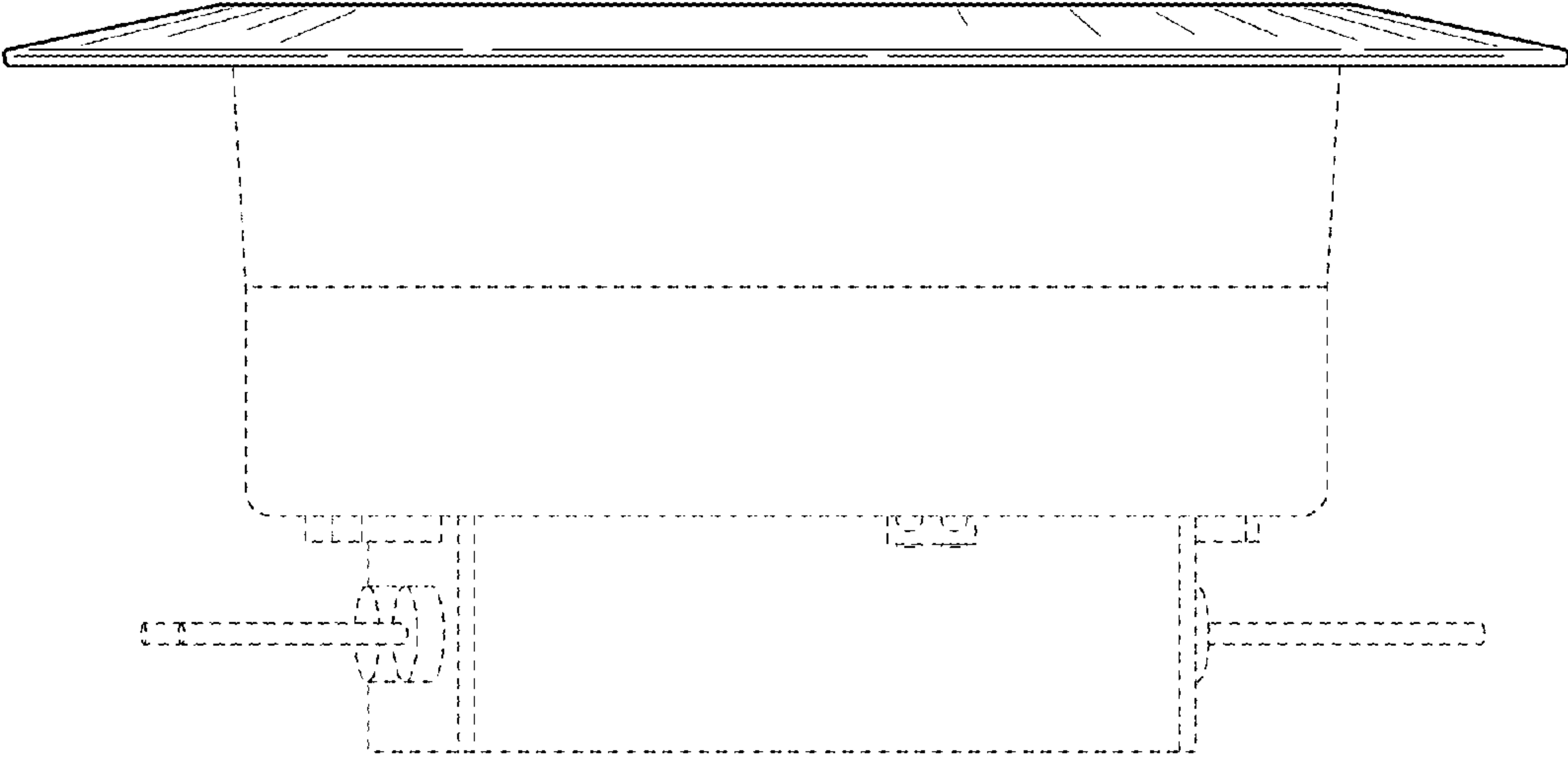


FIG. 4

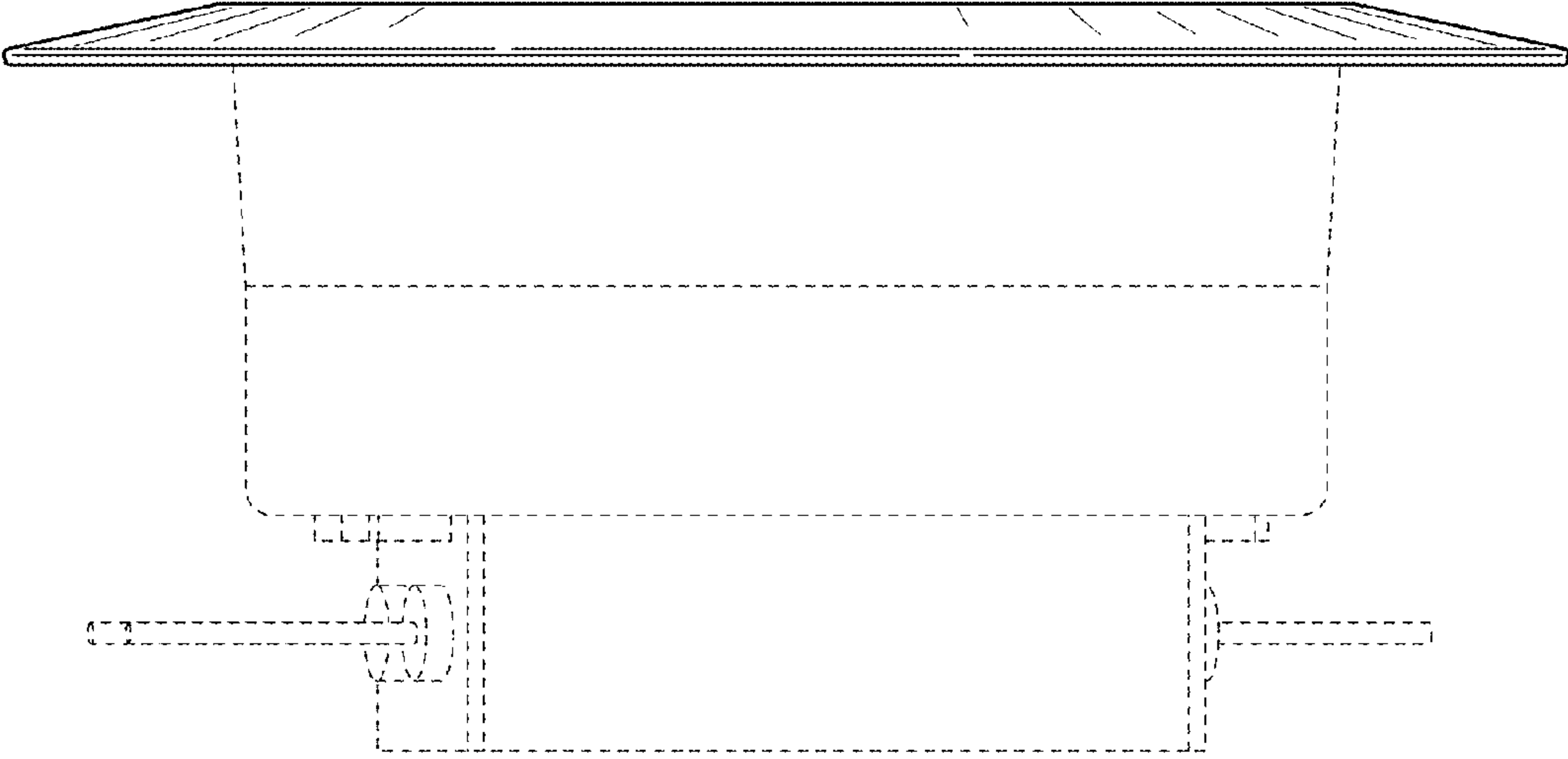


FIG. 5

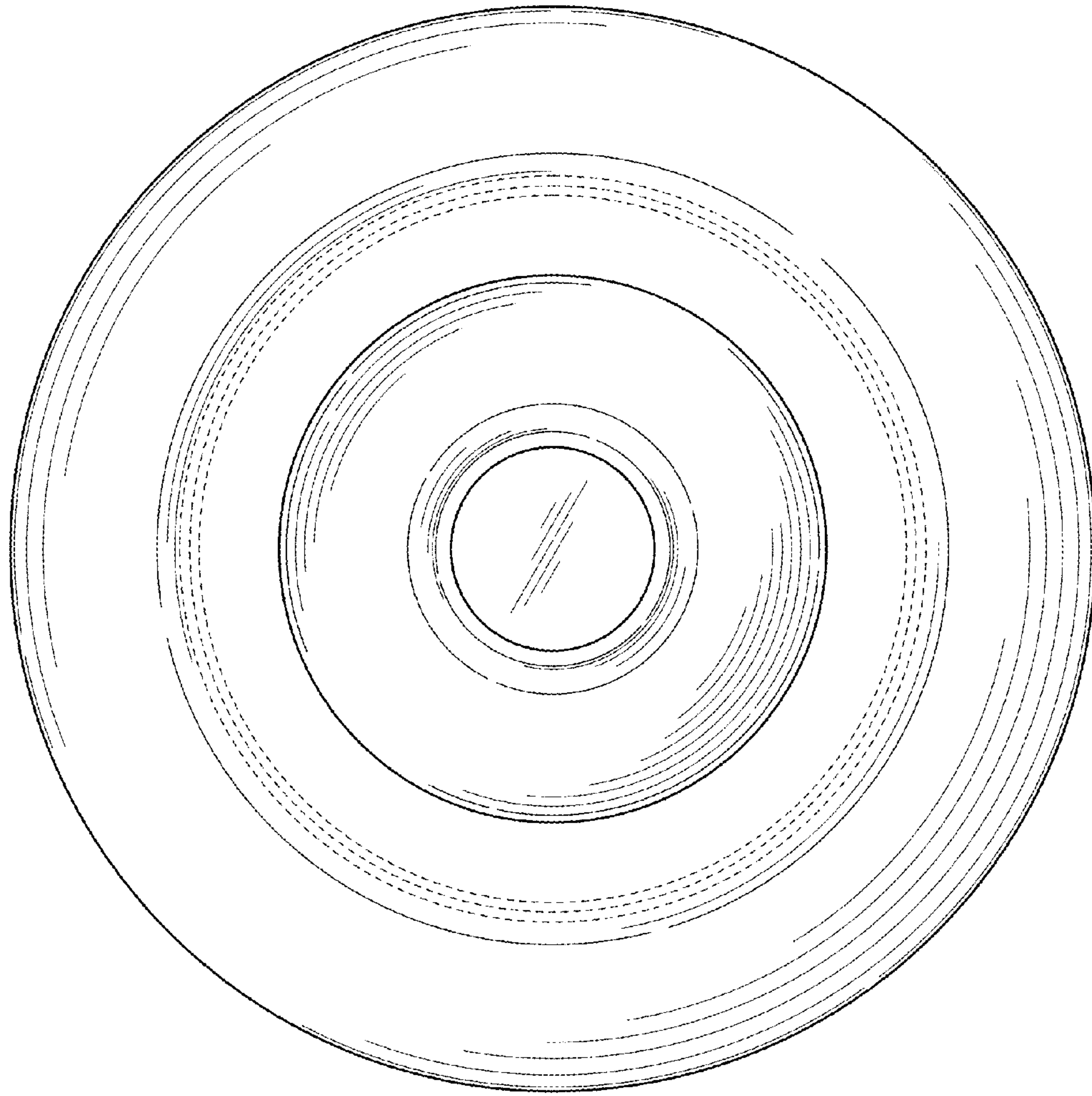


FIG. 6

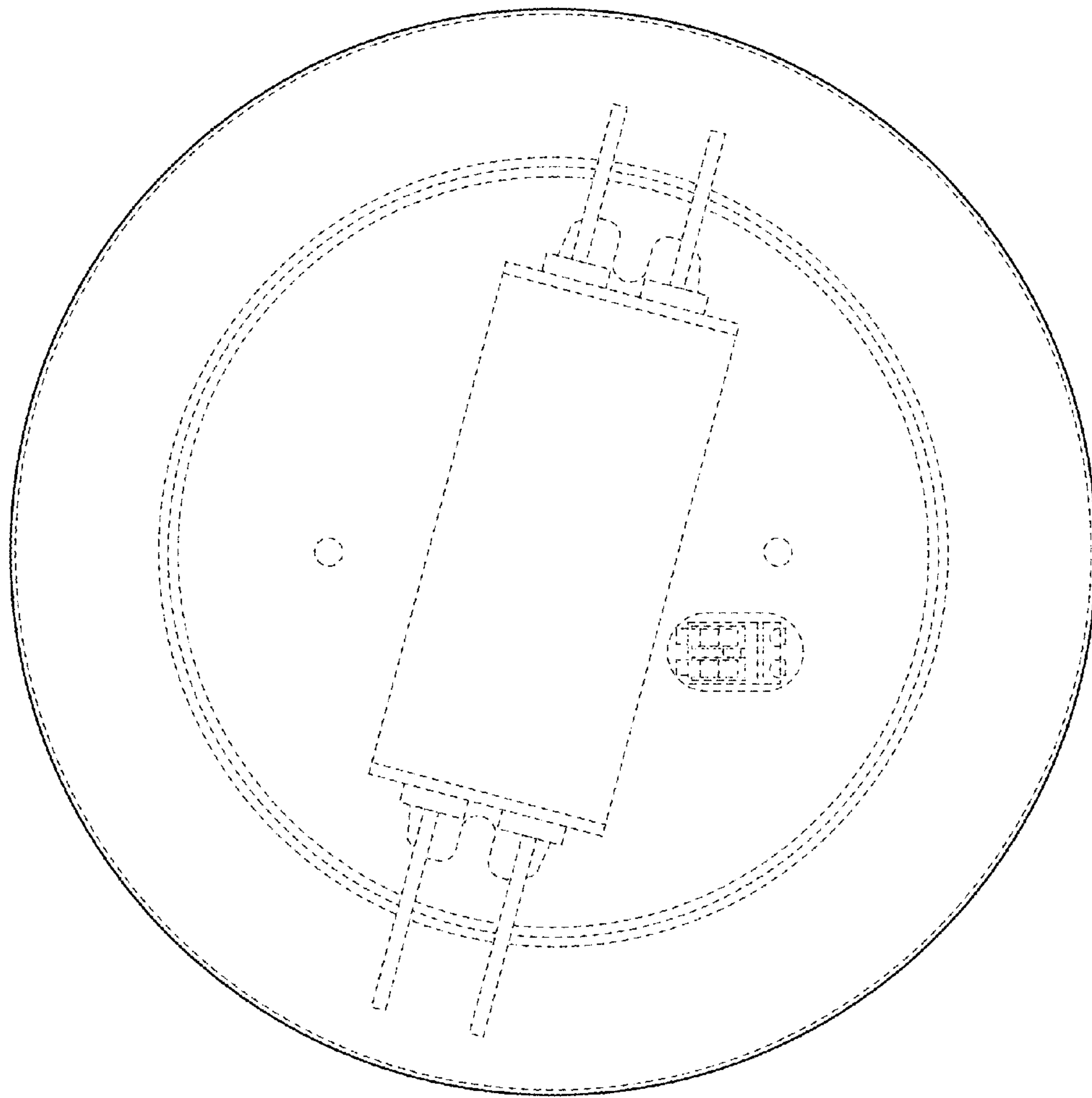


FIG. 7

UNITED STATES PATENT AND TRADEMARK OFFICE
CERTIFICATE OF CORRECTION

PATENT NO. : D745,211 S
APPLICATION NO. : 29/483565
DATED : December 8, 2015
INVENTOR(S) : Megan Serwacki et al.

Page 1 of 1

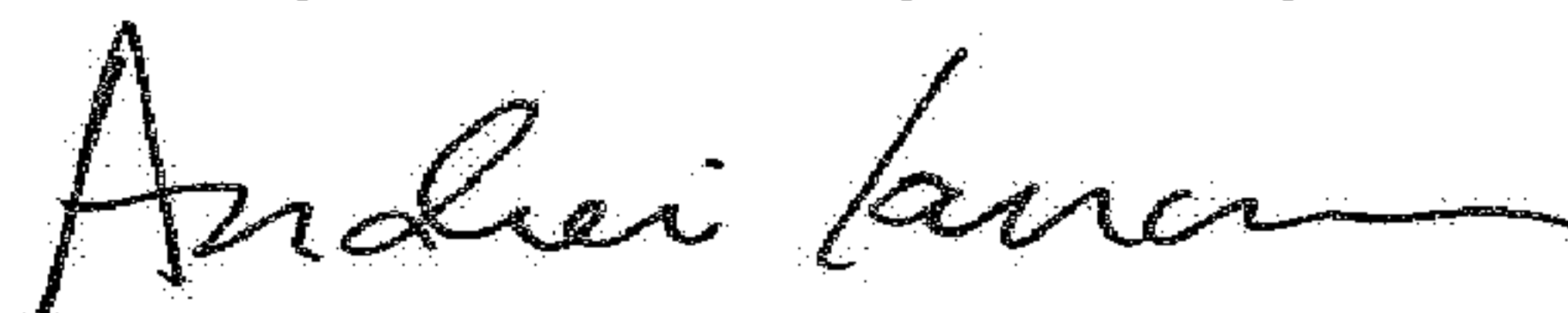
It is certified that error appears in the above-identified patent and that said Letters Patent is hereby corrected as shown below:

On the Title Page

Item (75) should read:

(75) Inventors Megan Serwacki, Oswego, IL (US);
Victor Zaderej, St. Charles, IL (US);
Michael Picini, Aurora, IL (US);
Gregory Kuchuris, Wheaton, IL (US);
Daniel Megowan, Glen Ellyn, IL (US);
Timothy Canzano, Glen Ellyn, IL (US);
Christopher Blount, Naperville, IL (US)

Signed and Sealed this
Twenty-second Day of May, 2018



Andrei Iancu
Director of the United States Patent and Trademark Office