



US00D745209S

(12) **United States Design Patent**
Picciotta et al.

(10) **Patent No.:** **US D745,209 S**
(45) **Date of Patent:** **** Dec. 8, 2015**

- (54) **LIGHTING DEVICE BEZEL**
- (71) Applicant: **SureFire, LLC**, Fountain Valley, CA (US)
- (72) Inventors: **Michael D. Picciotta**, Yorba Linda, CA (US); **William Wells**, Costa Mesa, CA (US)
- (73) Assignee: **SureFire, LLC**, Fountain Valley, CA (US)

D578,688 S 10/2008 Kim
 D605,798 S 12/2009 Kim
 D605,799 S 12/2009 Kim
 D606,219 S 12/2009 Kim

(Continued)

Primary Examiner — George D Kirschbaum
Assistant Examiner — Natasha Vujcic
 (74) *Attorney, Agent, or Firm* — Haynes and Boone, LLP

(**) Term: **14 Years**

(21) Appl. No.: **29/478,940**

(22) Filed: **Jan. 9, 2014**

(51) **LOC (10) Cl.** **26-99**

(52) **U.S. Cl.**
USPC **D26/138**

(58) **Field of Classification Search**
 USPC D26/24, 39, 59, 67, 68, 69, 70, 71, 72,
 D26/74, 77, 80, 88, 89, 138, 139, 140, 141,
 D26/142, 144, 151, 152; 313/115, 548, 557,
 313/569, 578, 315; 362/126, 294, 355
 CPC F24S 4/001; F24S 4/005; F24S 8/00;
 F24S 8/04; F24S 8/043; F24S 8/046; F24S
 8/06–8/065; F24S 13/02; F24S 13/04; F24S
 13/06

See application file for complete search history.

(56) **References Cited**

U.S. PATENT DOCUMENTS

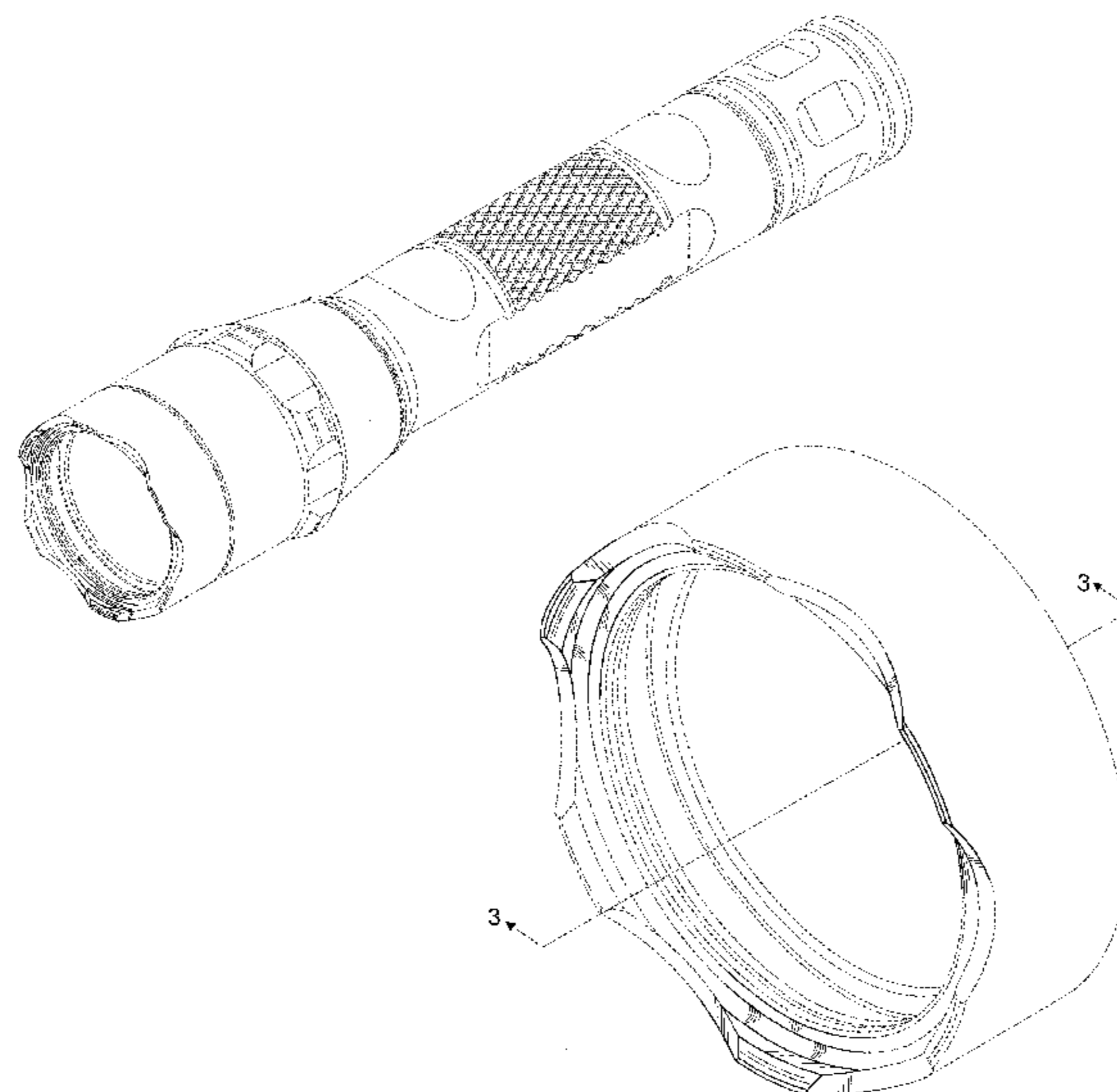
D64,136 S *	3/1924	Seitz	D26/139
D64,663 S *	5/1924	Godley	D26/139
1,495,417 A *	5/1924	Ische et al.	D26/139
4,438,884 A *	3/1984	O'Brien et al.	239/600
D285,361 S *	8/1986	Marcucci	D26/138
6,213,521 B1 *	4/2001	Land et al.	285/61
6,244,527 B1 *	6/2001	Ferrazza et al.	239/600

(57) **CLAIM**
The ornamental design for a lighting device bezel, as shown and described.

DESCRIPTION

FIG. 1 is a first front perspective view of a lighting device bezel showing our new design, implemented as part of an example lighting device.
 FIG. 2 is a front perspective view of the lighting device bezel.
 FIG. 3 is a cross-sectional view through the lighting device bezel, as seen along the lines of the section 3-3 taken in FIG. 2.
 FIG. 4 is an enlarged view of a portion 4 of the lighting device bezel identified in FIG. 3.
 FIG. 5 is a second front perspective view of the lighting device bezel, implemented as part of the example lighting device of FIG. 1.
 FIG. 6 is an enlarged view of a portion 6 of the lighting device bezel identified in FIG. 5.
 FIG. 7 is a front side elevational view of the lighting device bezel.
 FIG. 8 is a top plan view of the lighting device bezel.
 FIG. 9 is a bottom plan view of the lighting device bezel.
 FIG. 10 is a left side elevational view of the lighting device bezel; and,
 FIG. 11 is a right side elevational view of the lighting device bezel.
 The broken lines in the drawings illustrate environmental features and form no part of the claimed design.

1 Claim, 11 Drawing Sheets



(56)

References Cited

U.S. PATENT DOCUMENTS

D606,220 S 12/2009 Kim
D606,686 S 12/2009 Kim
D606,687 S 12/2009 Kim
D619,284 S 7/2010 Kim
D624,223 S 9/2010 Kim
D624,675 S 9/2010 Kim
D628,323 S * 11/2010 Matthews et al. D26/24
D635,703 S 4/2011 Kim

D642,329 S * 7/2011 Weiss D26/142
D659,270 S 5/2012 Nguyen et al.
D659,271 S 5/2012 Nguyen et al.
D659,272 S 5/2012 Nguyen et al.
D709,158 S 7/2014 Wells
D709,231 S 7/2014 Nguyen
D724,255 S * 3/2015 Herbin et al. D26/139
2004/0124290 A1 * 7/2004 Paulsen et al. 239/601
2010/0091485 A1 * 4/2010 Matthews et al. 362/234
2012/0068624 A1 * 3/2012 Matthews et al. 362/157
2013/0027922 A1 * 1/2013 Chen 362/187

* cited by examiner

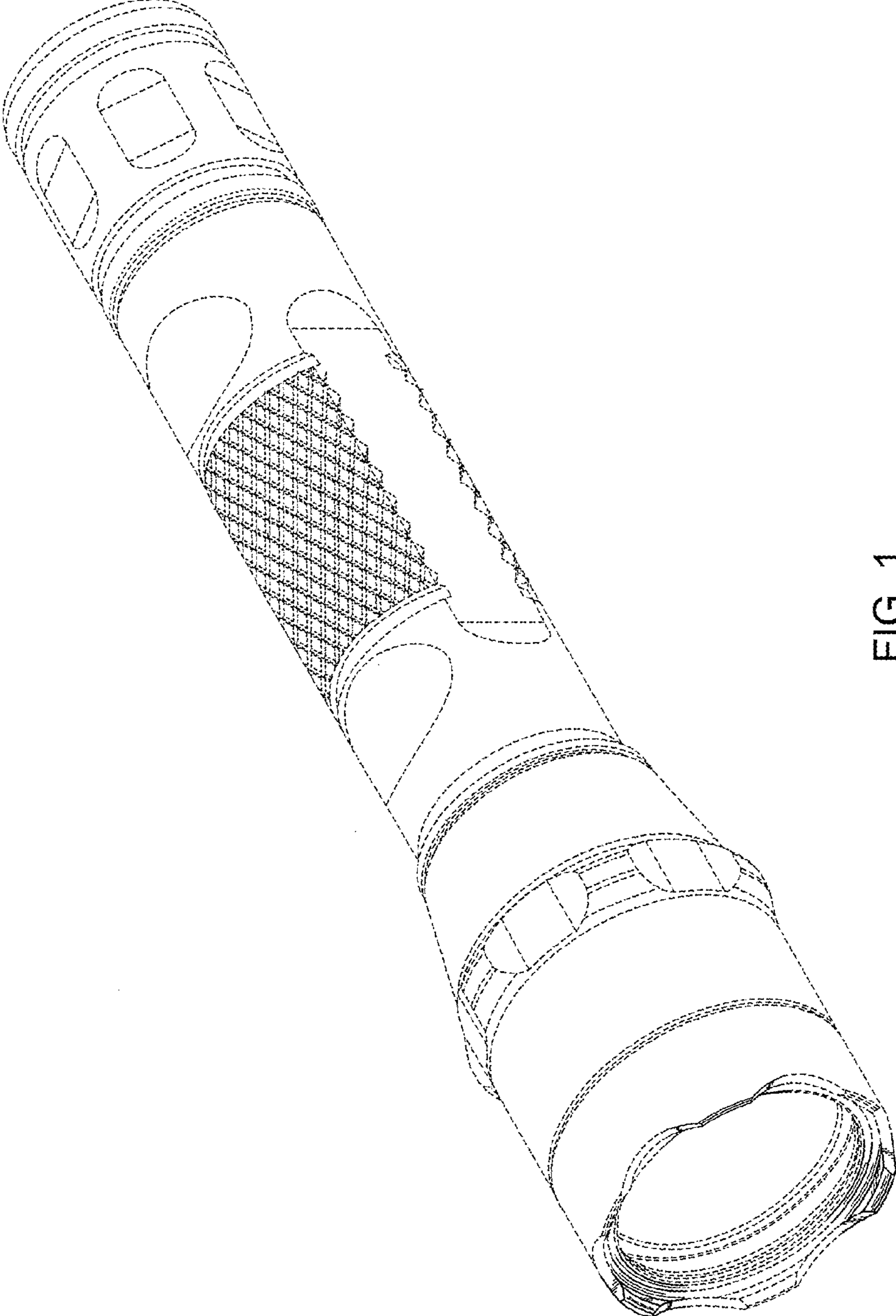


FIG. 1

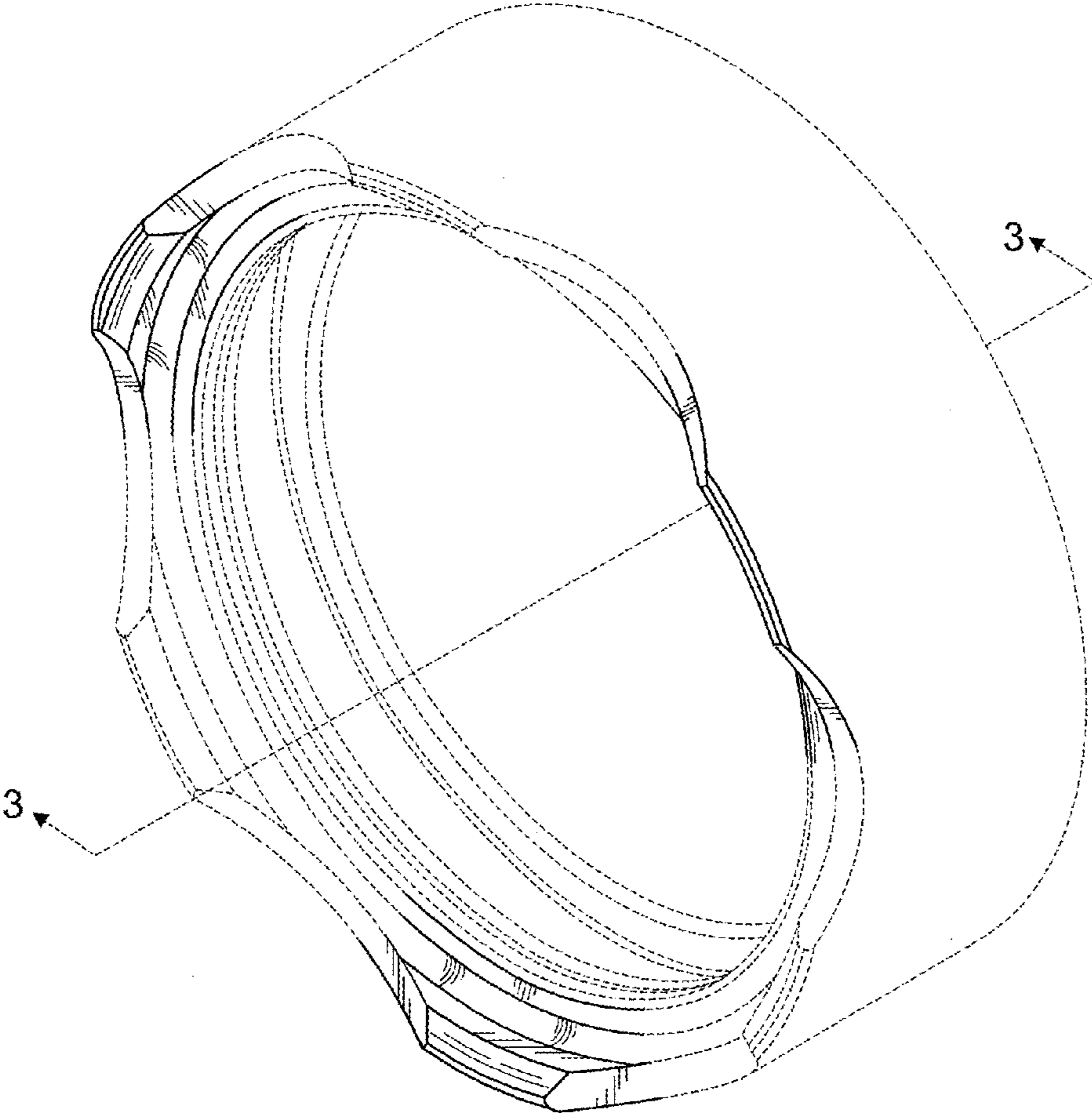


FIG. 2

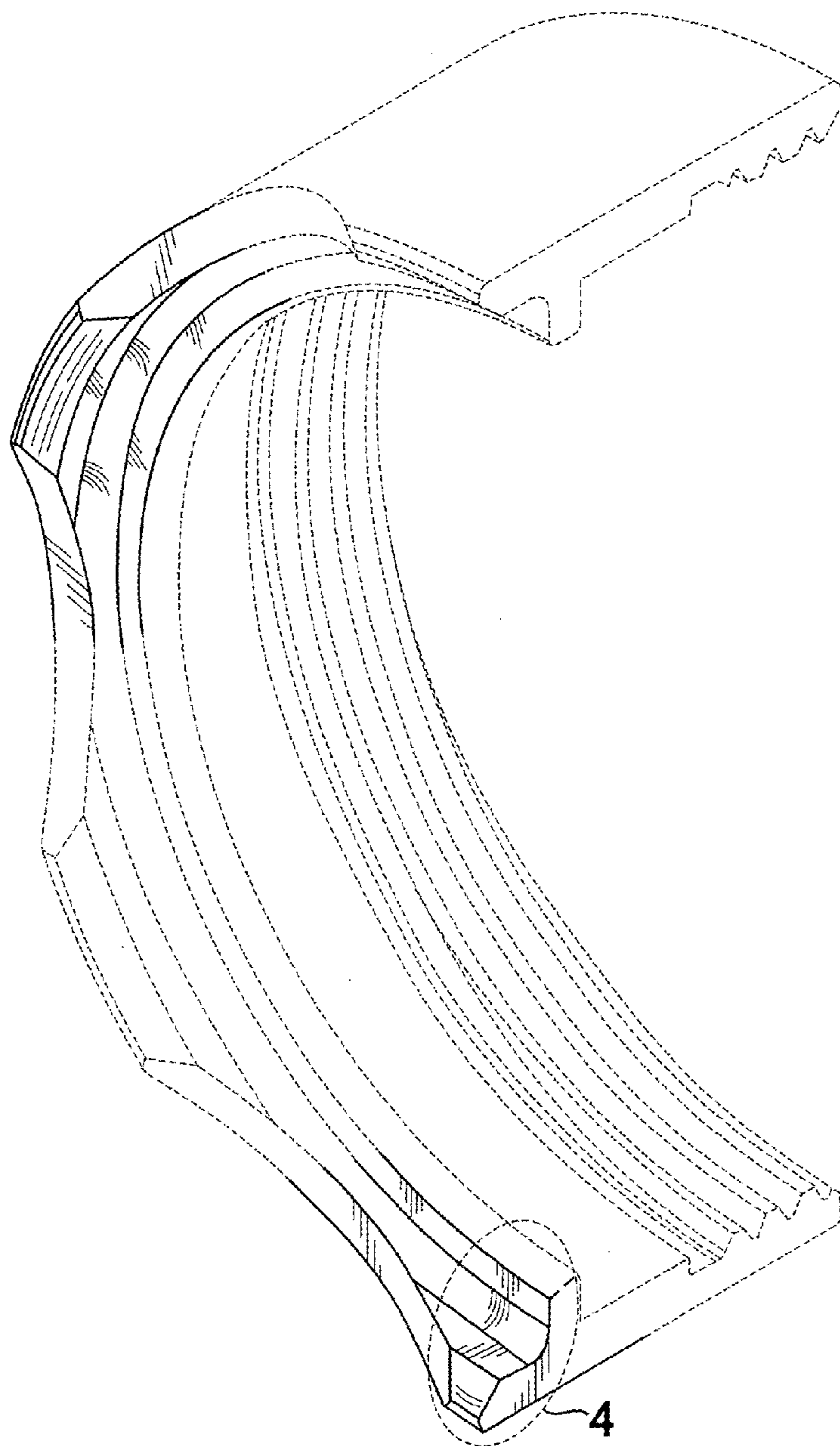


FIG. 3

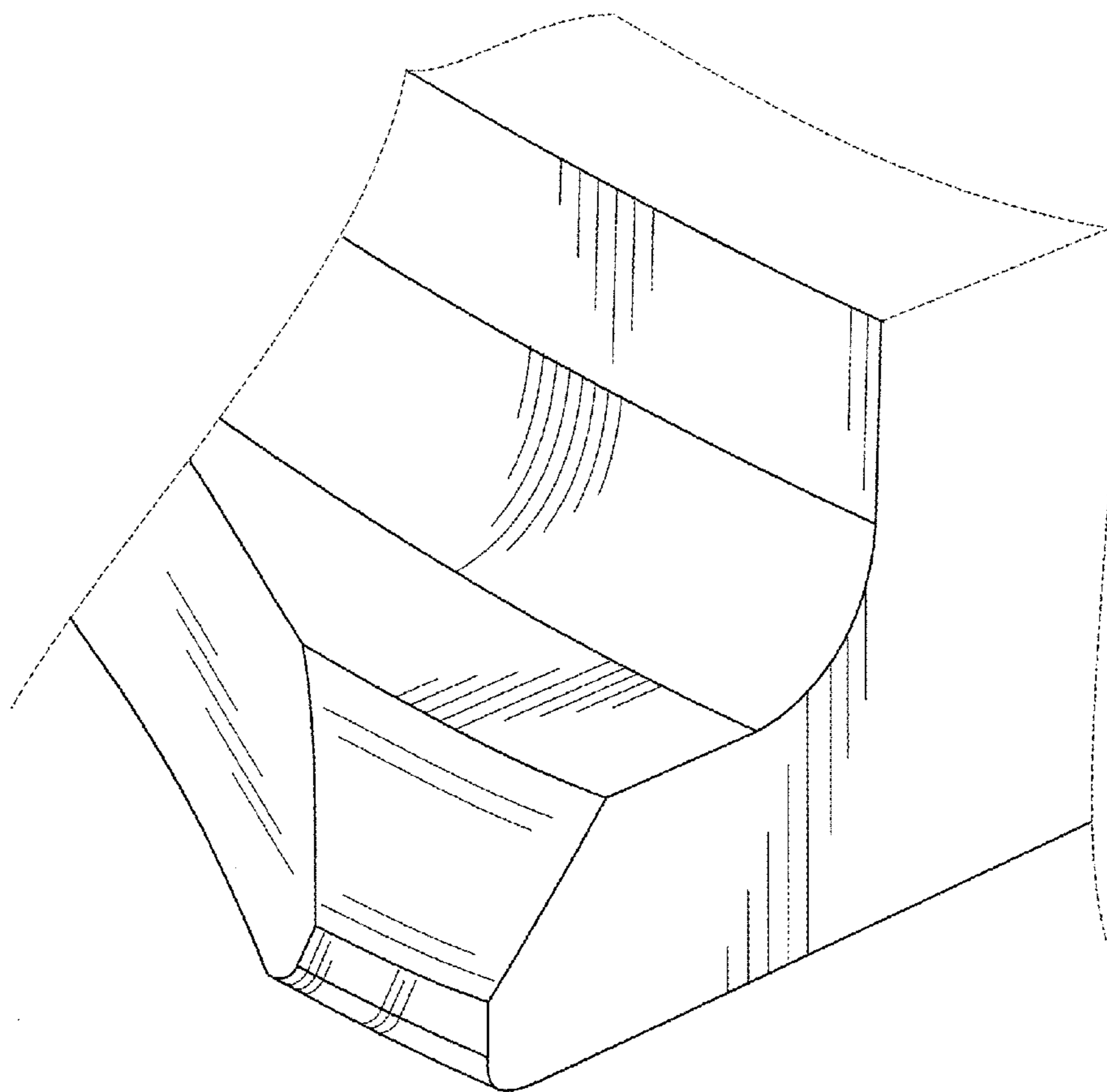


FIG. 4

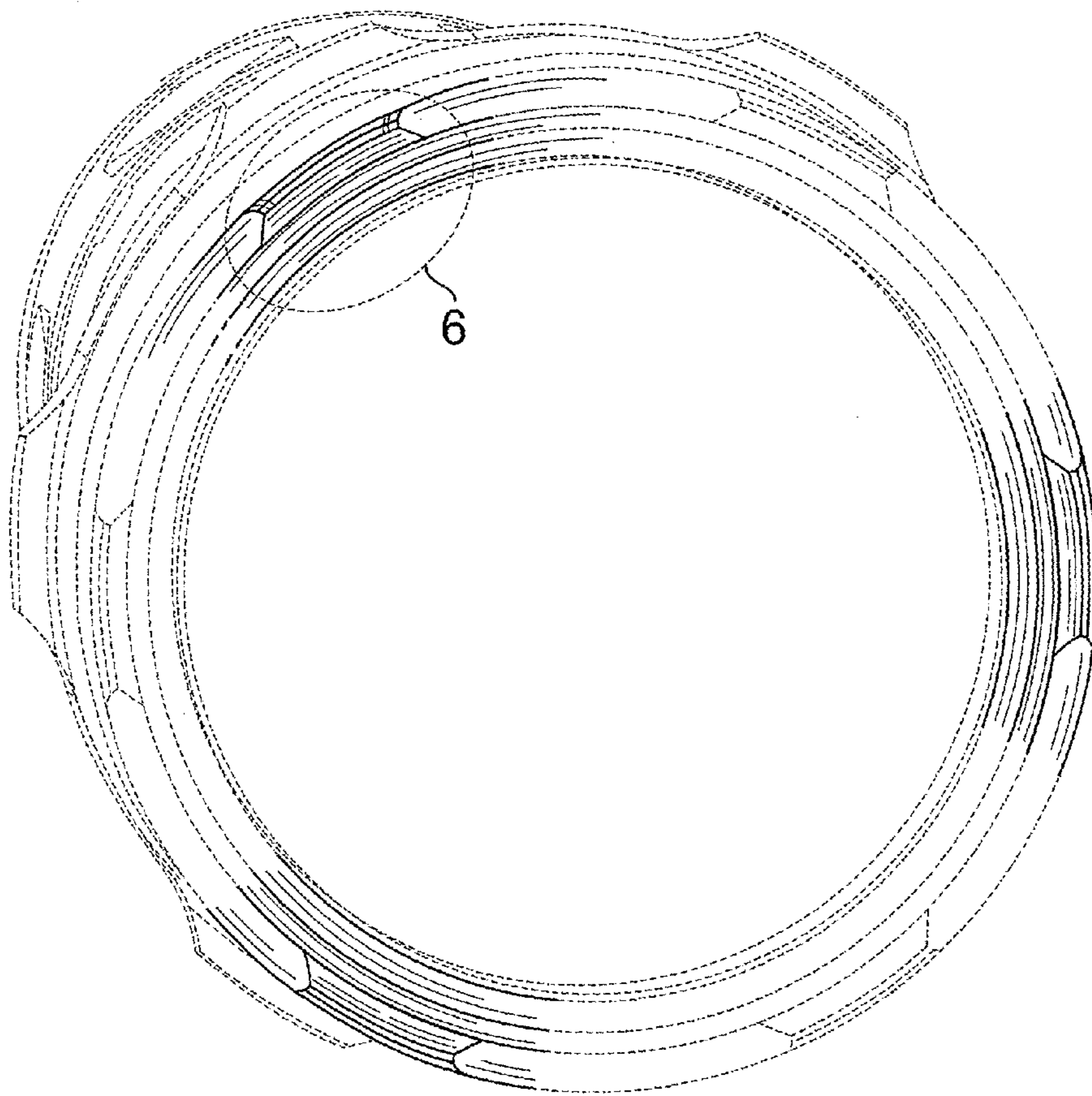


FIG. 5

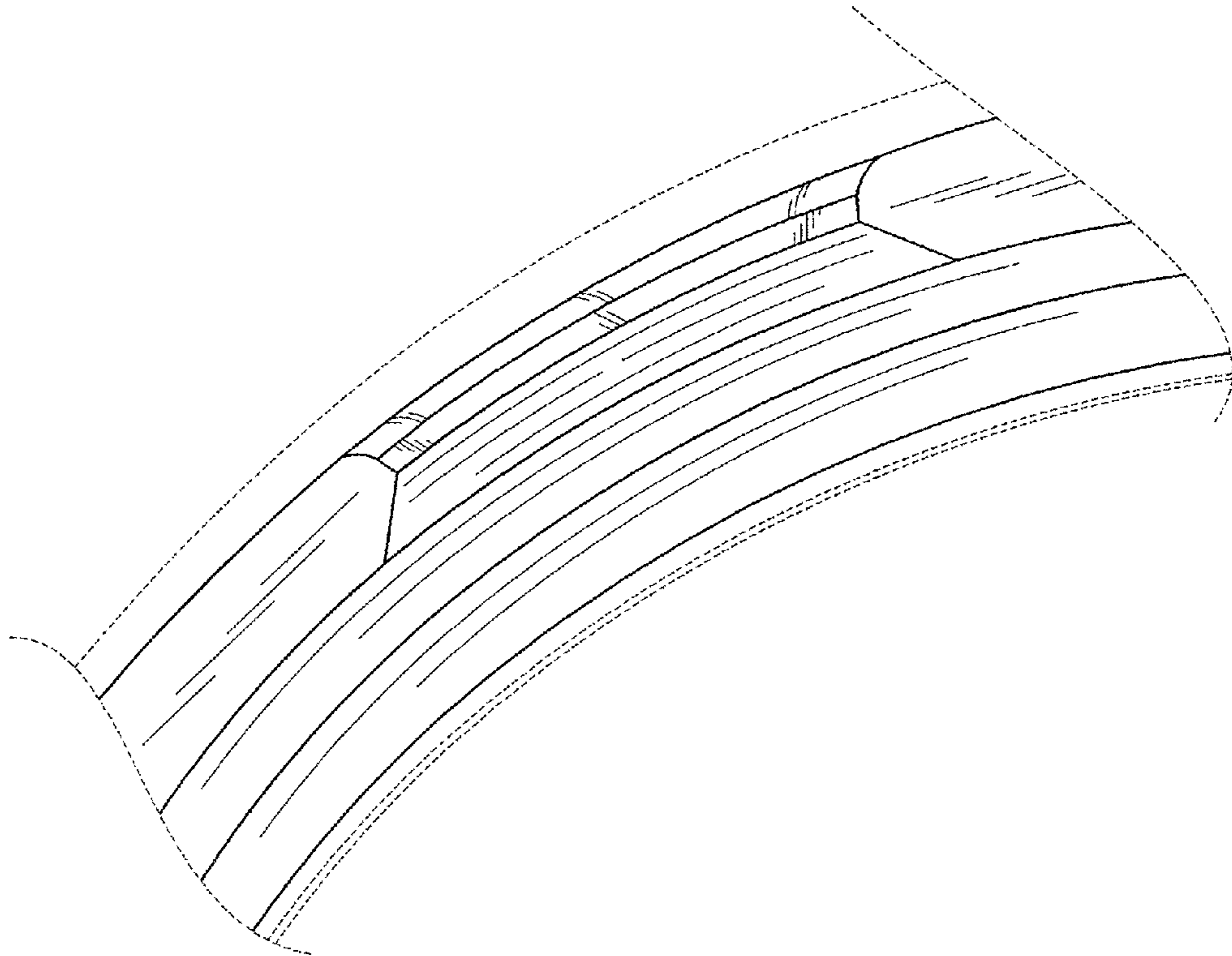


FIG. 6

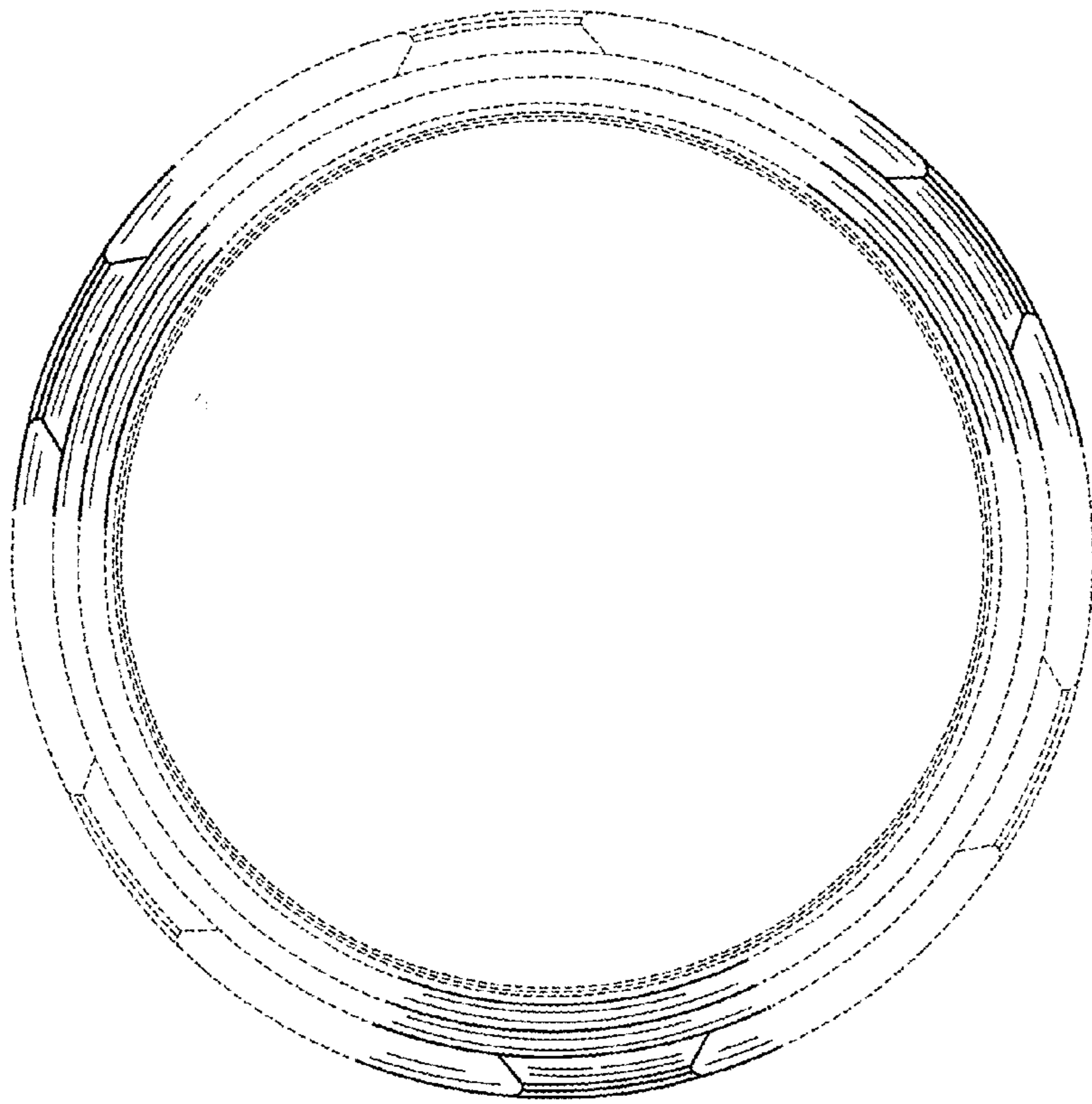


FIG. 7

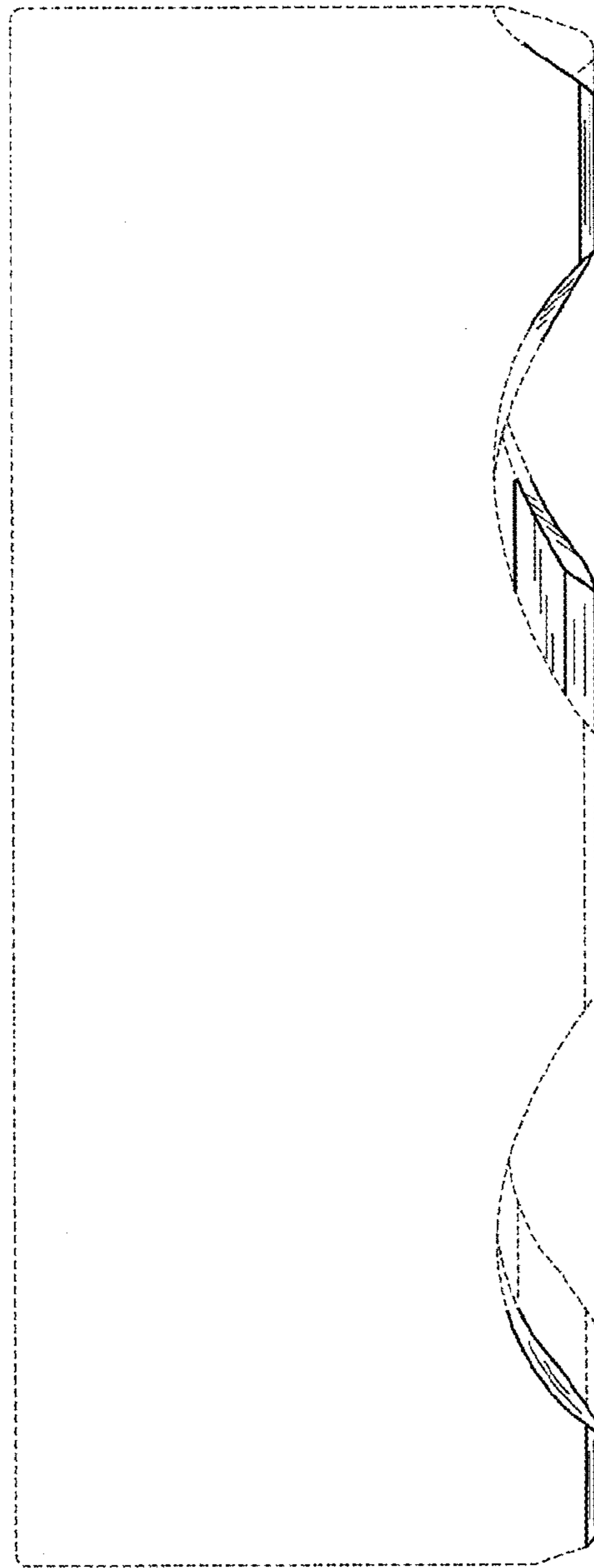


FIG. 8

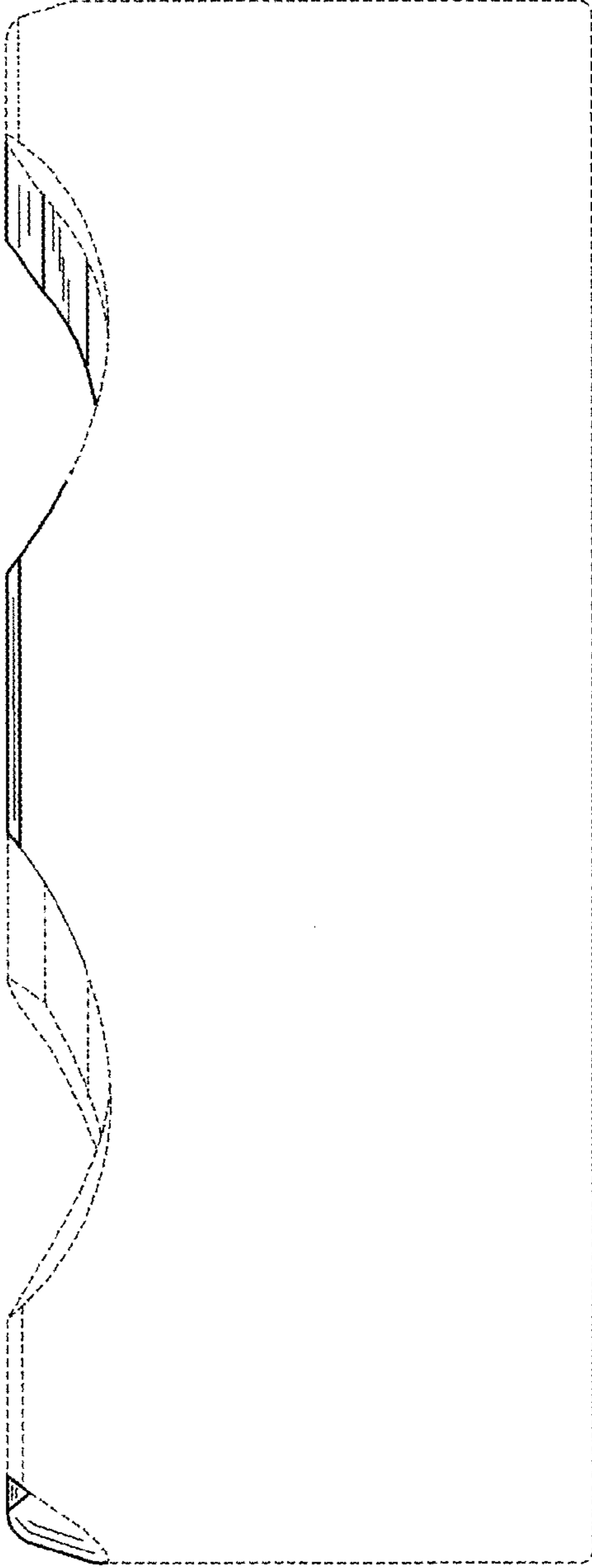


FIG. 9

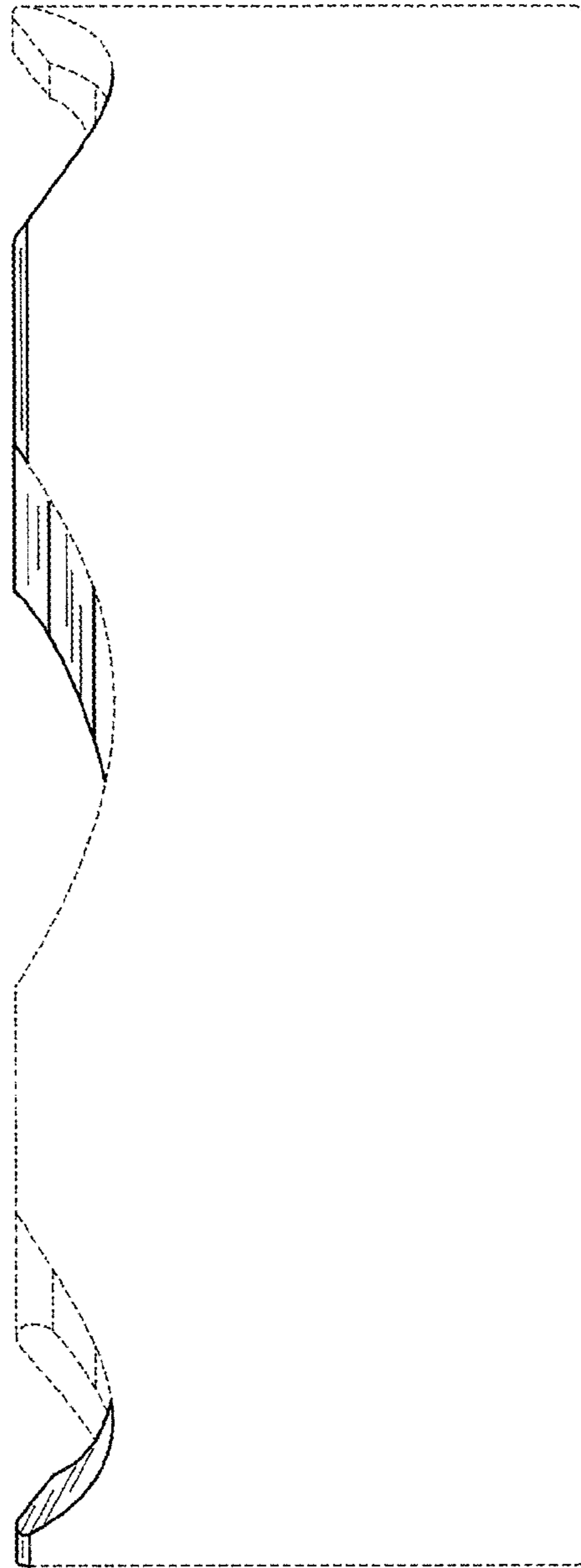


FIG. 10

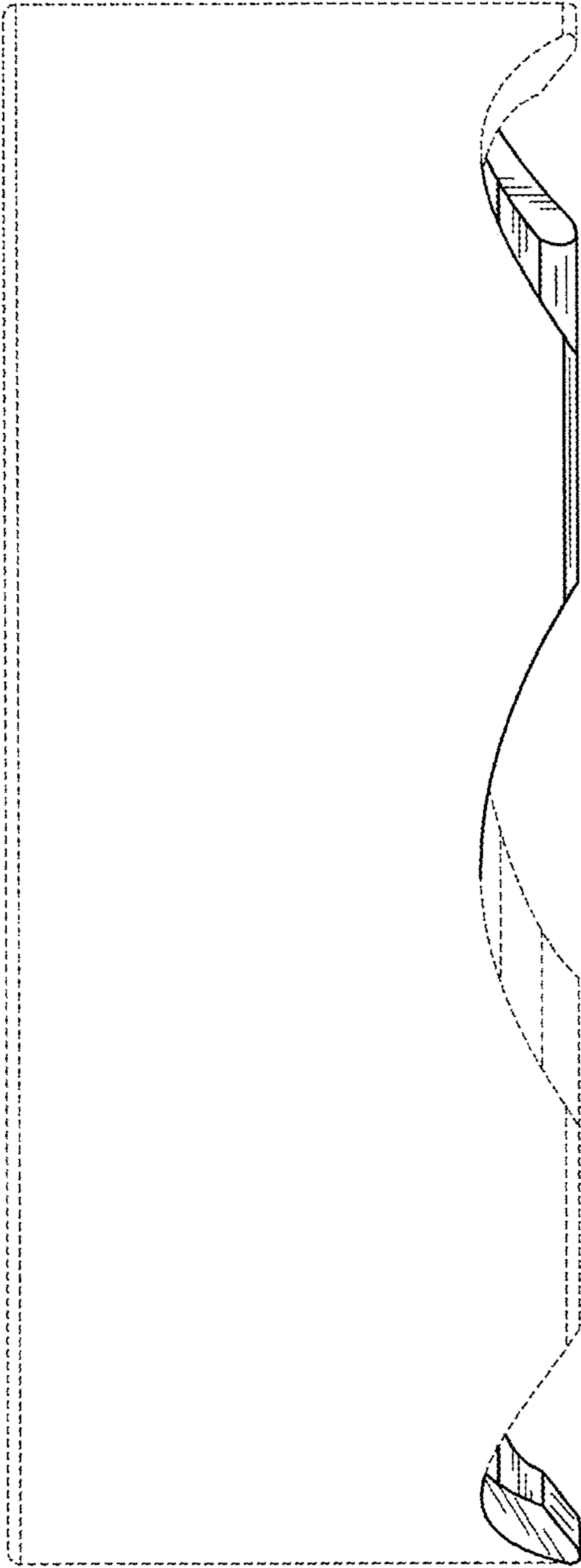


FIG. 11