



US00D745207S

(12) **United States Design Patent**
Guzzini

(10) **Patent No.:** **US D745,207 S**

(45) **Date of Patent:** **** Dec. 8, 2015**

(54) **LIGHTING APPARATUS**

(71) Applicant: **IGuzzini Illuminazione S.p. A.**,
Recanati (IT)

(72) Inventor: **Adolfo Guzzini**, Recanati (IT)

(73) Assignee: **IGUZZINI ILLUMINAZIONE S.P.A.**,
Recanati (IT)

(**) Term: **14 Years**

(21) Appl. No.: **29/502,997**

(22) Filed: **Sep. 22, 2014**

(30) **Foreign Application Priority Data**

Mar. 21, 2014 (EM) 002430090-0015

(51) **LOC (10) Cl.** **26-99**

(52) **U.S. Cl.**
USPC **D26/118**

(58) **Field of Classification Search**

USPC D26/24, 26, 28, 29, 34, 37, 38, 43, 44,
D26/51, 59, 60, 61, 63, 66, 67, 68, 72, 74,
D26/76, 85, 86, 88, 89, 91, 96, 97, 113, 118,
D26/119, 120, 122-124, 138-146;
362/145-148, 150, 153, 153.1, 218,
362/249.01-249.05, 294, 296.01, 296.07,
362/296.08, 311.07, 311.09, 311.1, 345,
362/362, 364, 365, 366, 368, 370, 371, 373,
362/397, 418, 427, 428, 460, 473-476,
362/546-548

CPC F21Y 2103/025; F21V 21/04; F21V 3/00
See application file for complete search history.

(56) **References Cited**

U.S. PATENT DOCUMENTS

D329,505 S * 9/1992 Miller D26/63
7,600,899 B2 * 10/2009 Chen 362/366
D613,440 S * 4/2010 Lindholm D26/63

8,113,698 B2 * 2/2012 Wu et al. 362/373
D659,896 S * 5/2012 Gordin et al. D26/118
D701,345 S * 3/2014 Ghini D26/118
D707,878 S * 6/2014 Lindholm et al. D26/118

(Continued)

Primary Examiner — Garth Rademaker

Assistant Examiner — Llorellys Martinez-Rivera

(74) *Attorney, Agent, or Firm* — Abelman, Frayne &
Schwab

(57) **CLAIM**

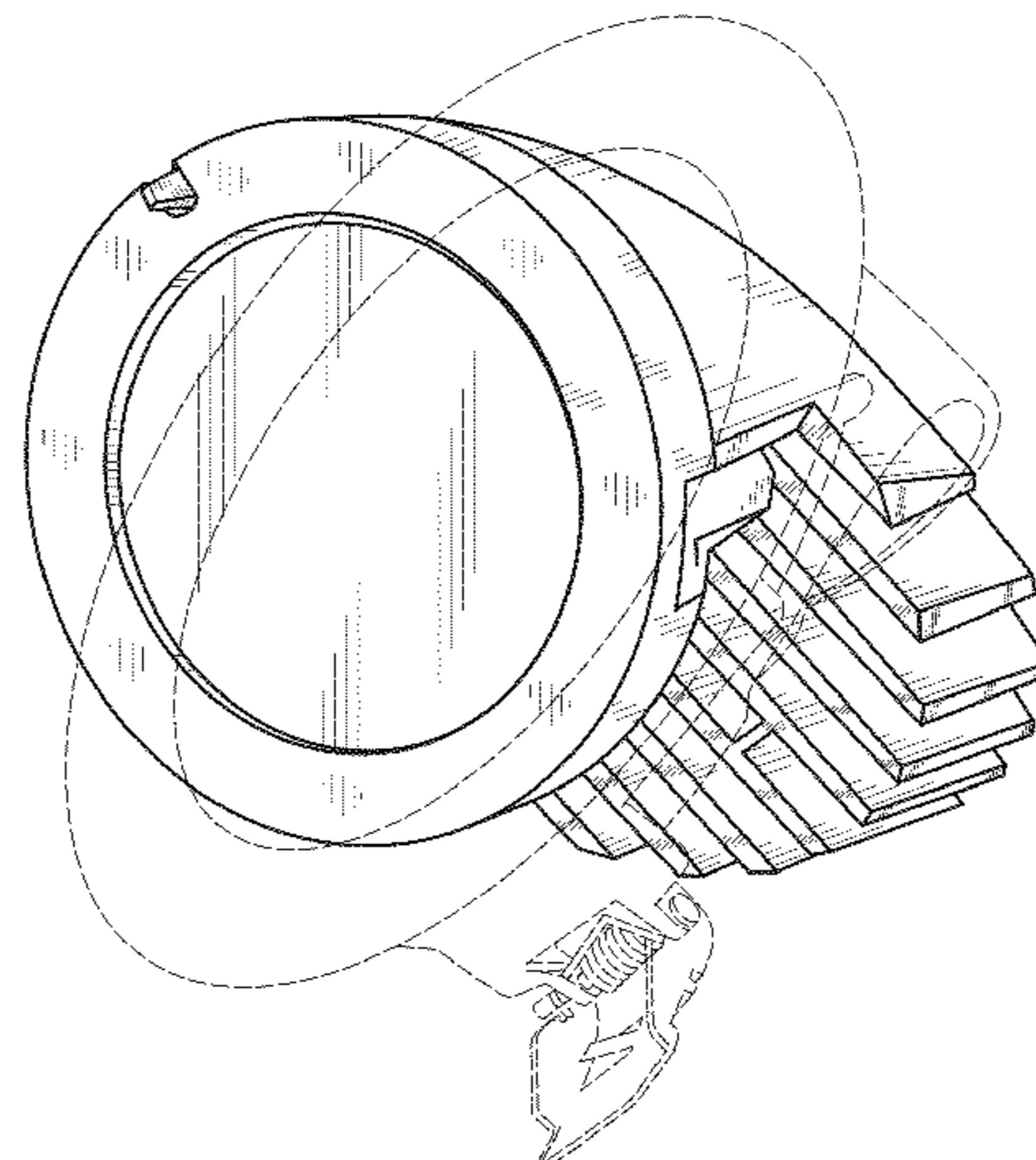
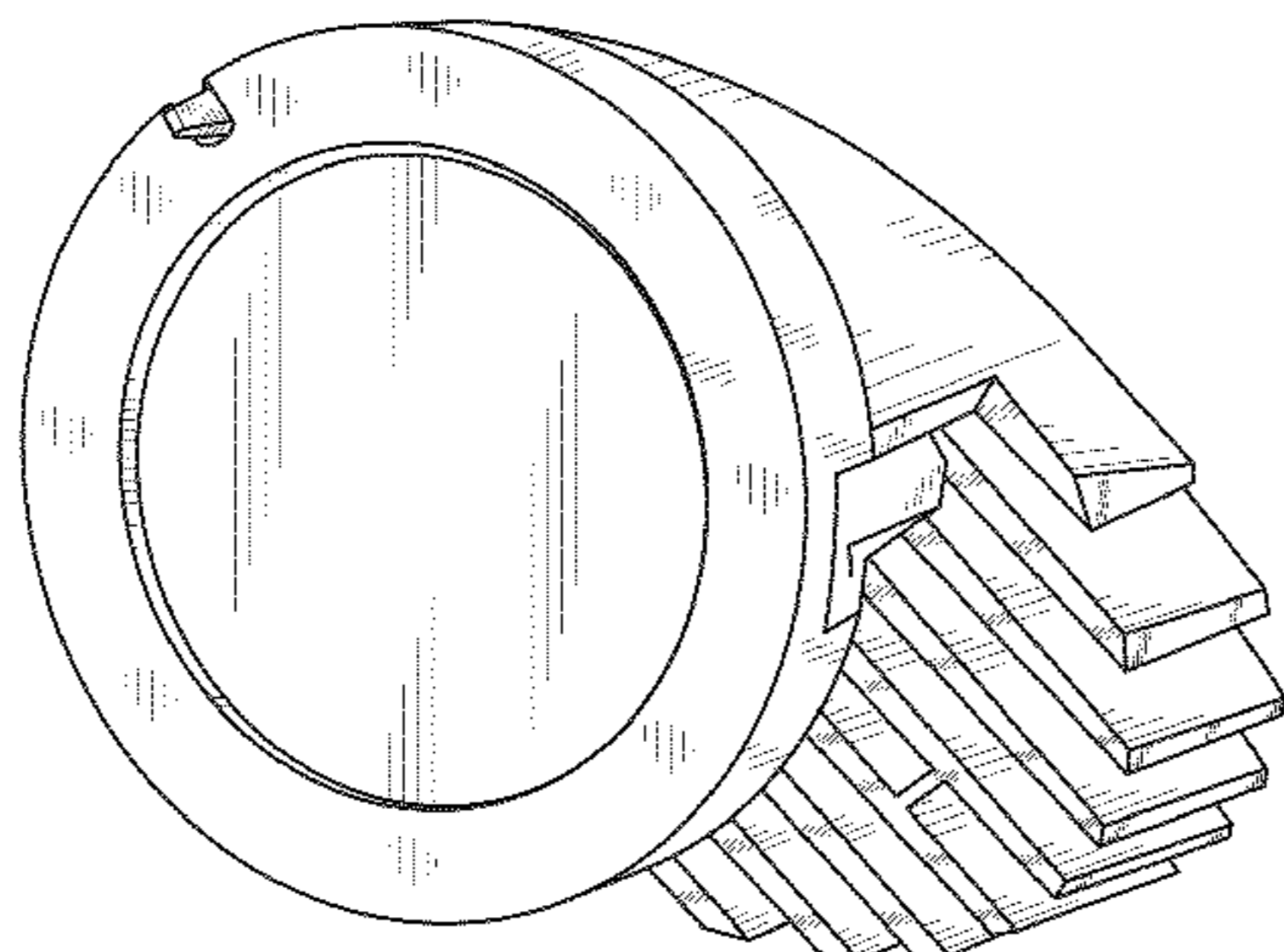
The ornamental design for a lighting apparatus, as shown and described.

DESCRIPTION

FIG. 1 is a bottom, front and left side perspective view of a lighting apparatus showing my new design;
FIG. 2 is a front elevational view thereof;
FIG. 3 is a right side elevational view thereof;
FIG. 4 is a left side elevational view thereof;
FIG. 5 is a rear elevational view thereof;
FIG. 6 is a top plan view thereof;
FIG. 7 is a bottom plan view thereof;
FIG. 8 is a bottom, front and left side perspective view of the lighting apparatus in FIG. 1, shown in an environment of use;
FIG. 9 is a front elevational view thereof, shown in an environment of use;
FIG. 10 is a right side elevational view thereof, shown in an environment of use;
FIG. 11 is a left side elevational view thereof, shown in an environment of use;
FIG. 12 is a rear elevational view thereof, shown in an environment of use;
FIG. 13 is a top plan view thereof, shown in an environment of use; and,
FIG. 14 is a bottom plan view thereof, shown in an environment of use.

The broken lines shown in FIGS. 8-14 illustrate environmental structure and form no part of the claimed design.

1 Claim, 14 Drawing Sheets



(56)

References Cited

U.S. PATENT DOCUMENTS

2006/0250788	A1 *	11/2006	Hodge et al.	362/147	2010/0296272	A1 *	11/2010	Roos et al.	362/373
2008/0080190	A1 *	4/2008	Walczak et al.	362/294	2010/0315812	A1 *	12/2010	Liu	362/373
2008/0266883	A1 *	10/2008	Chen	362/365	2013/0170232	A1 *	7/2013	Park et al.	362/364
2010/0246172	A1 *	9/2010	Liu	362/249.02	2014/0003061	A1 *	1/2014	Chen et al.	362/311.02
					2014/0177225	A1 *	6/2014	Tsao	362/294

* cited by examiner

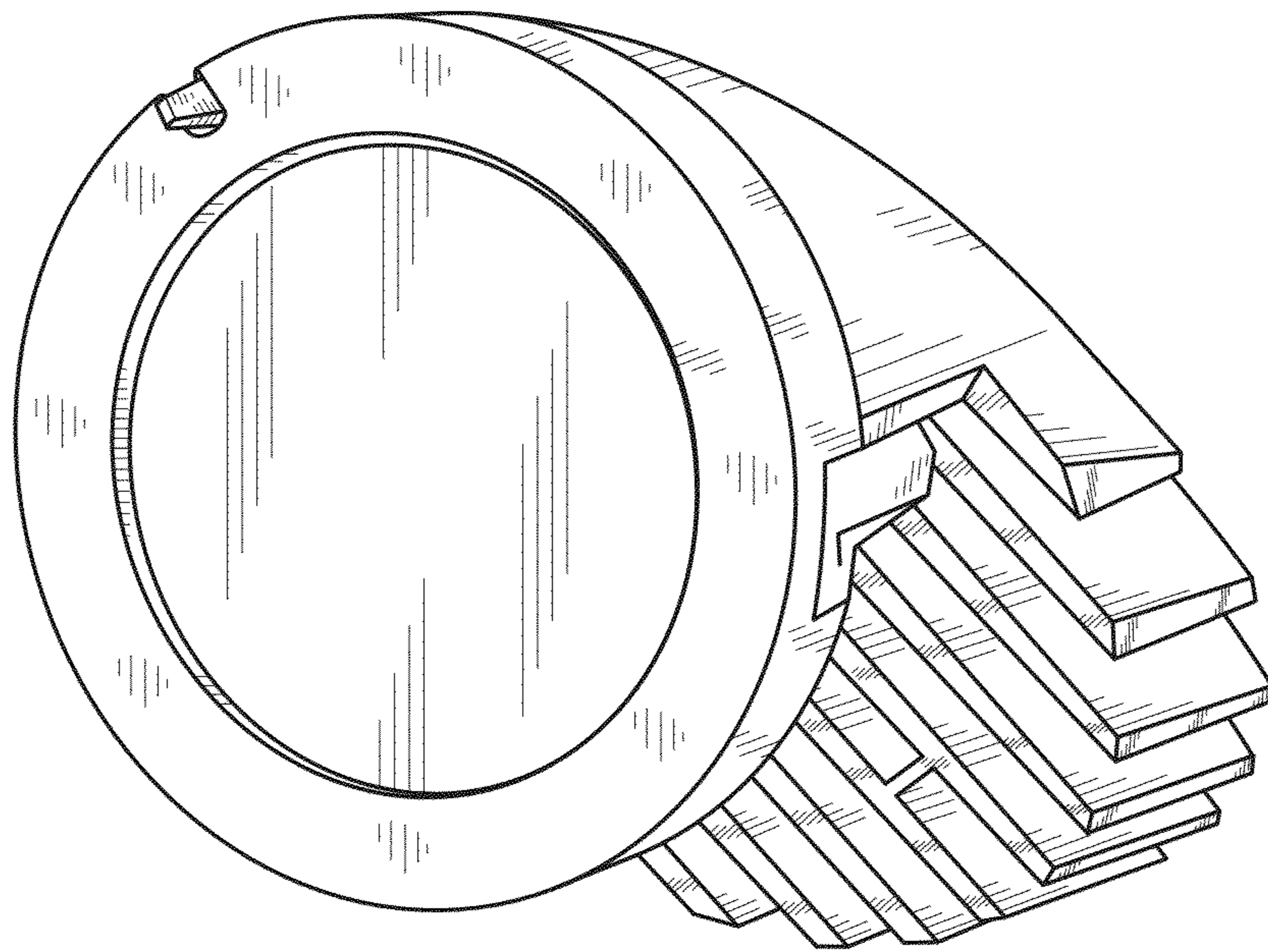


FIG. 1

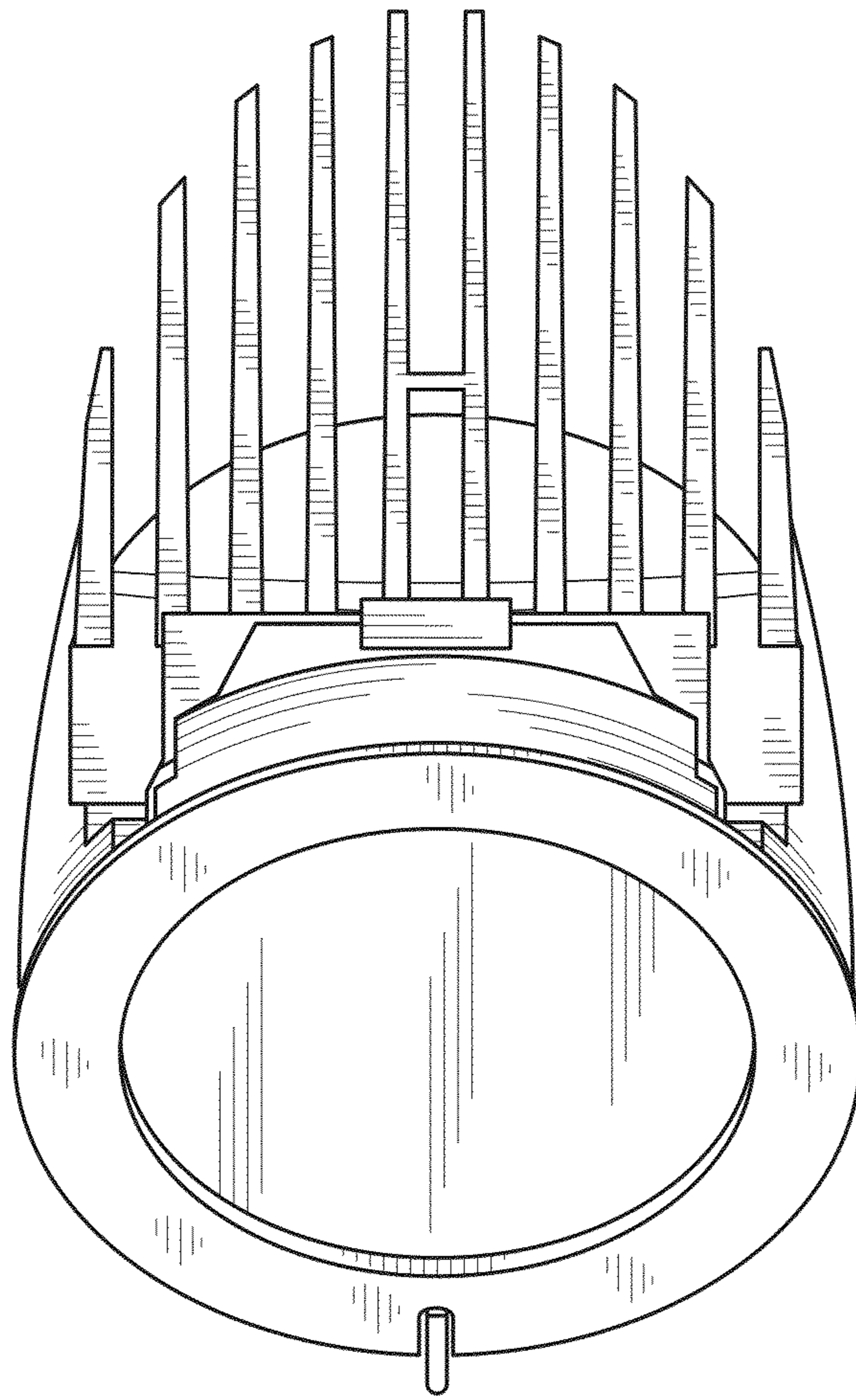


FIG. 2

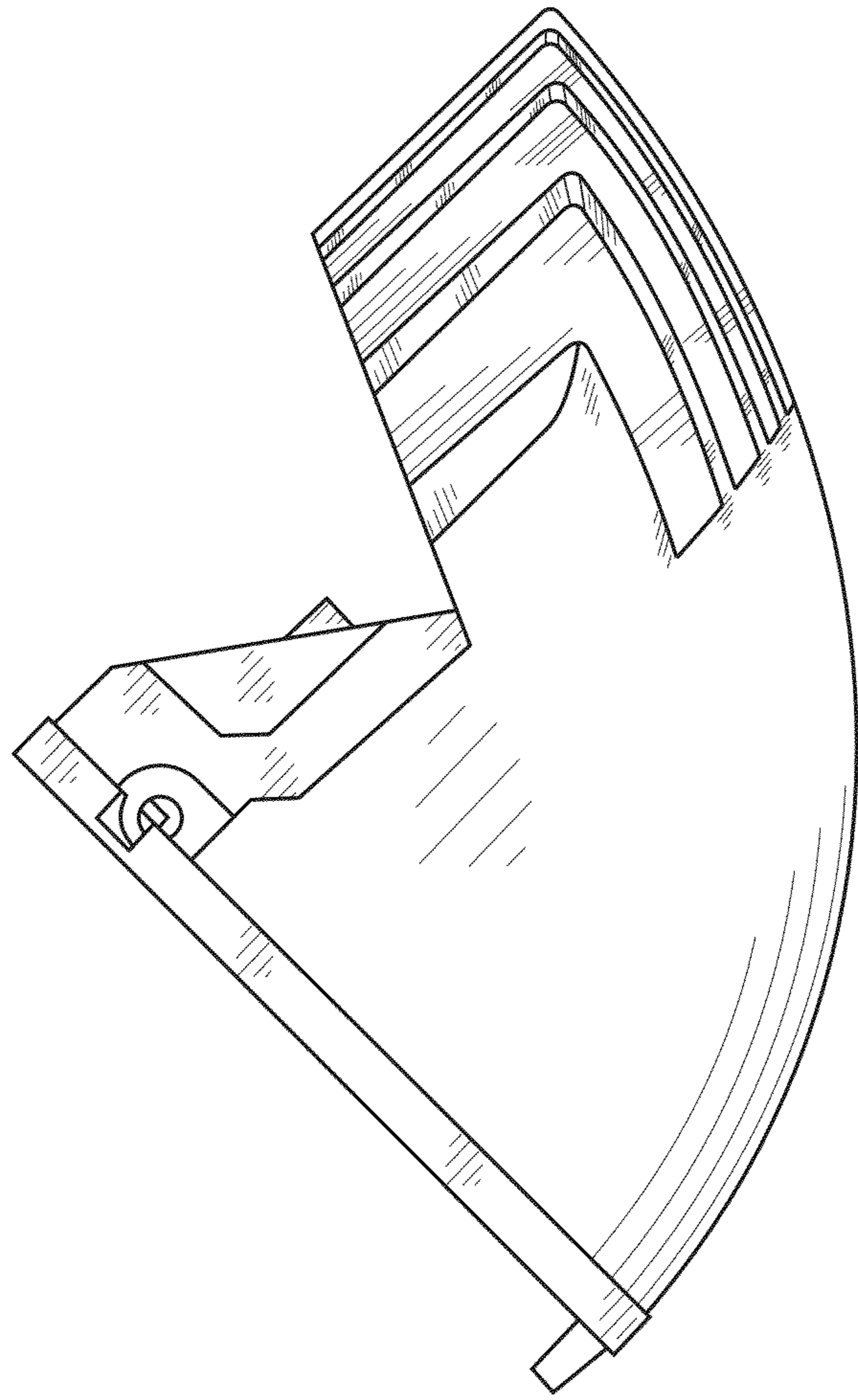


FIG. 3

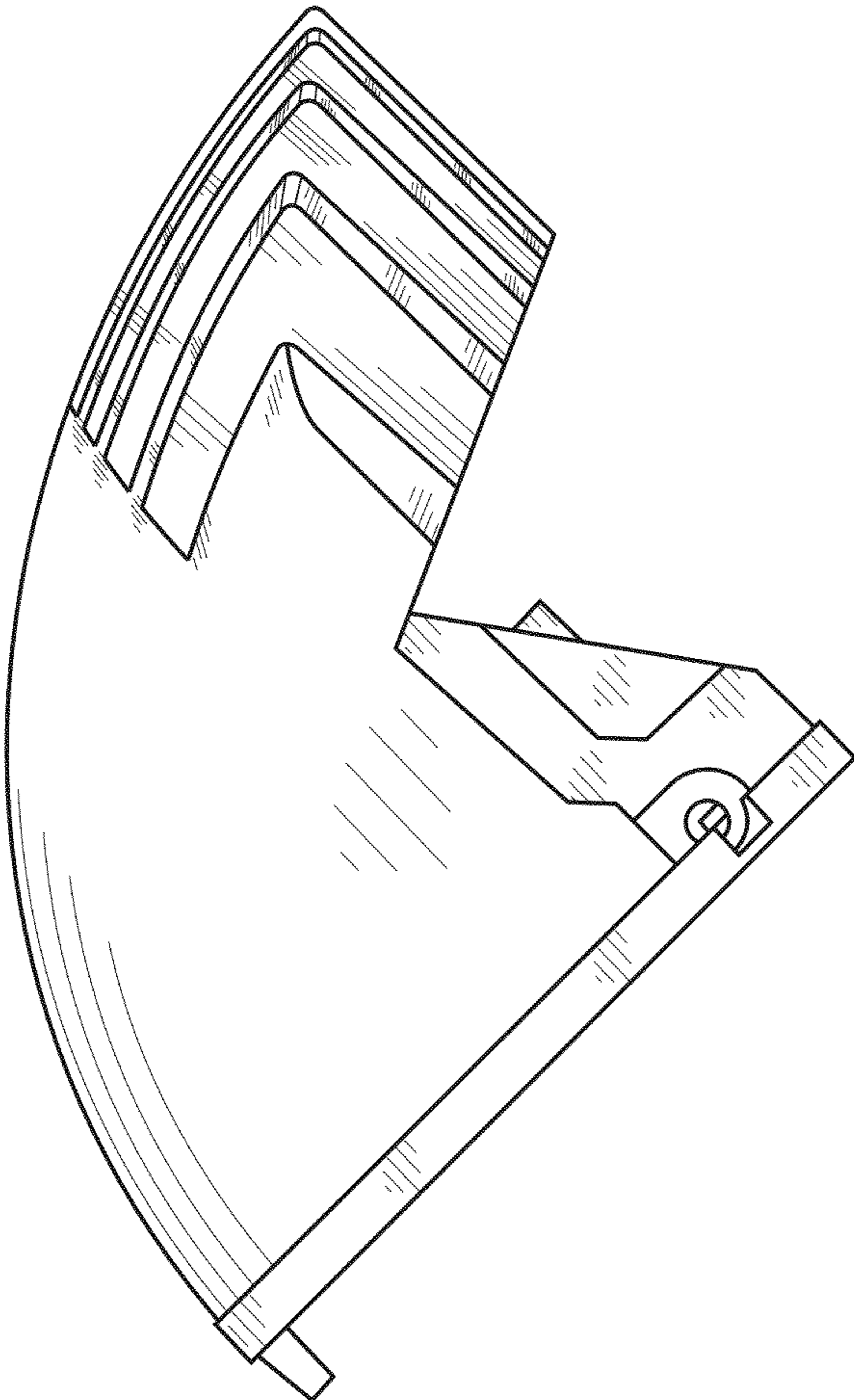


FIG. 4

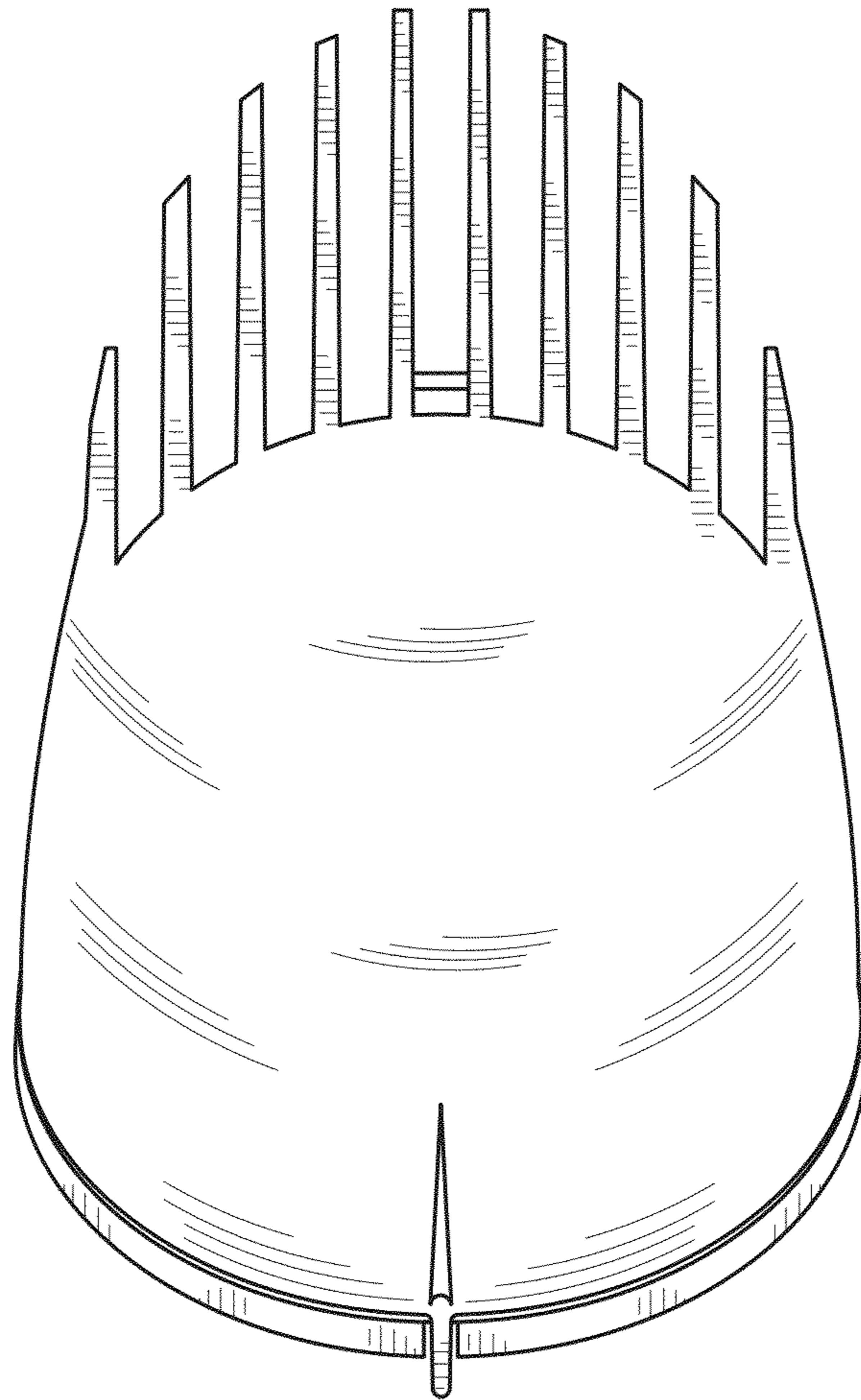


FIG. 5

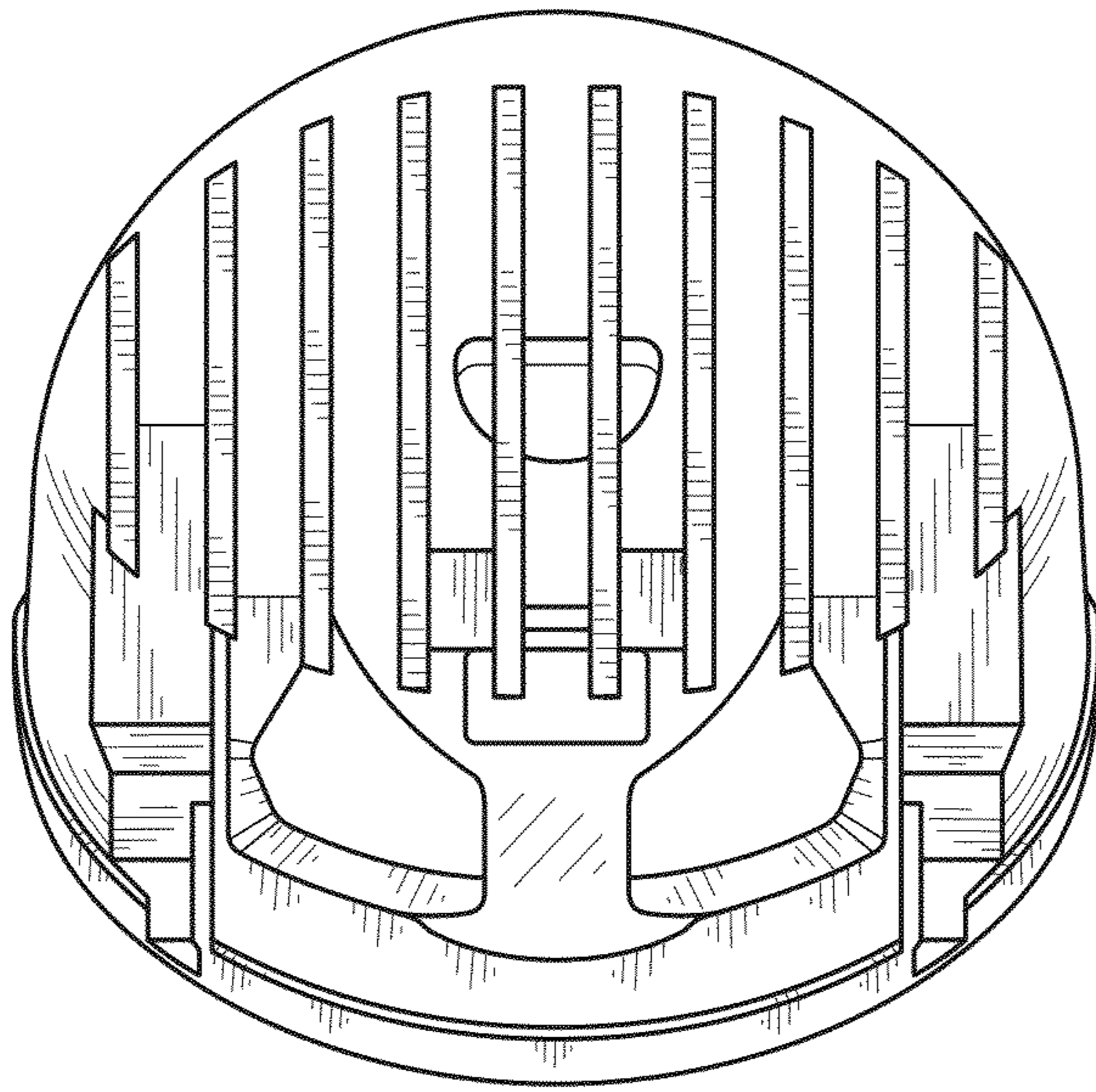


FIG. 6

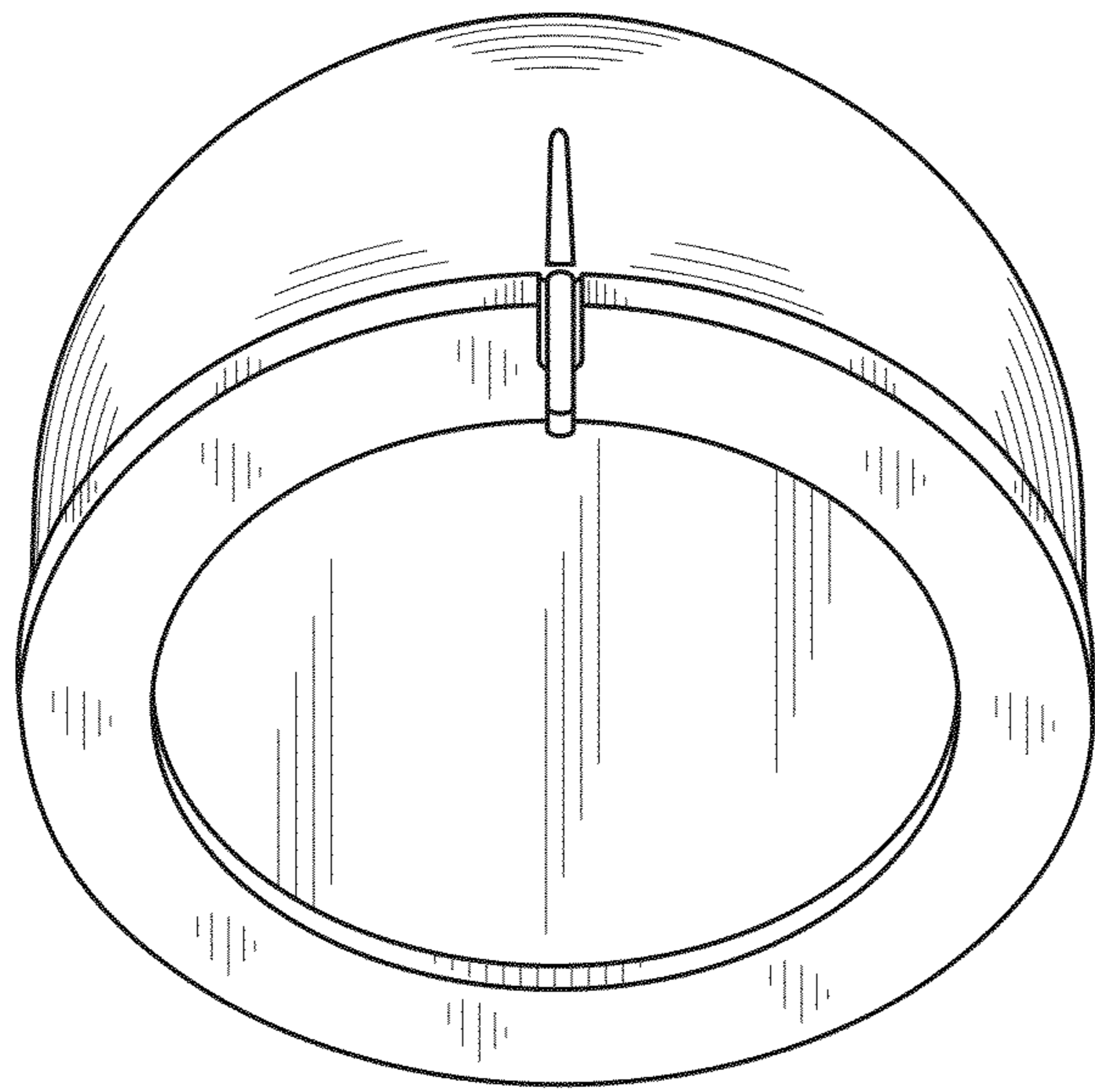


FIG. 7

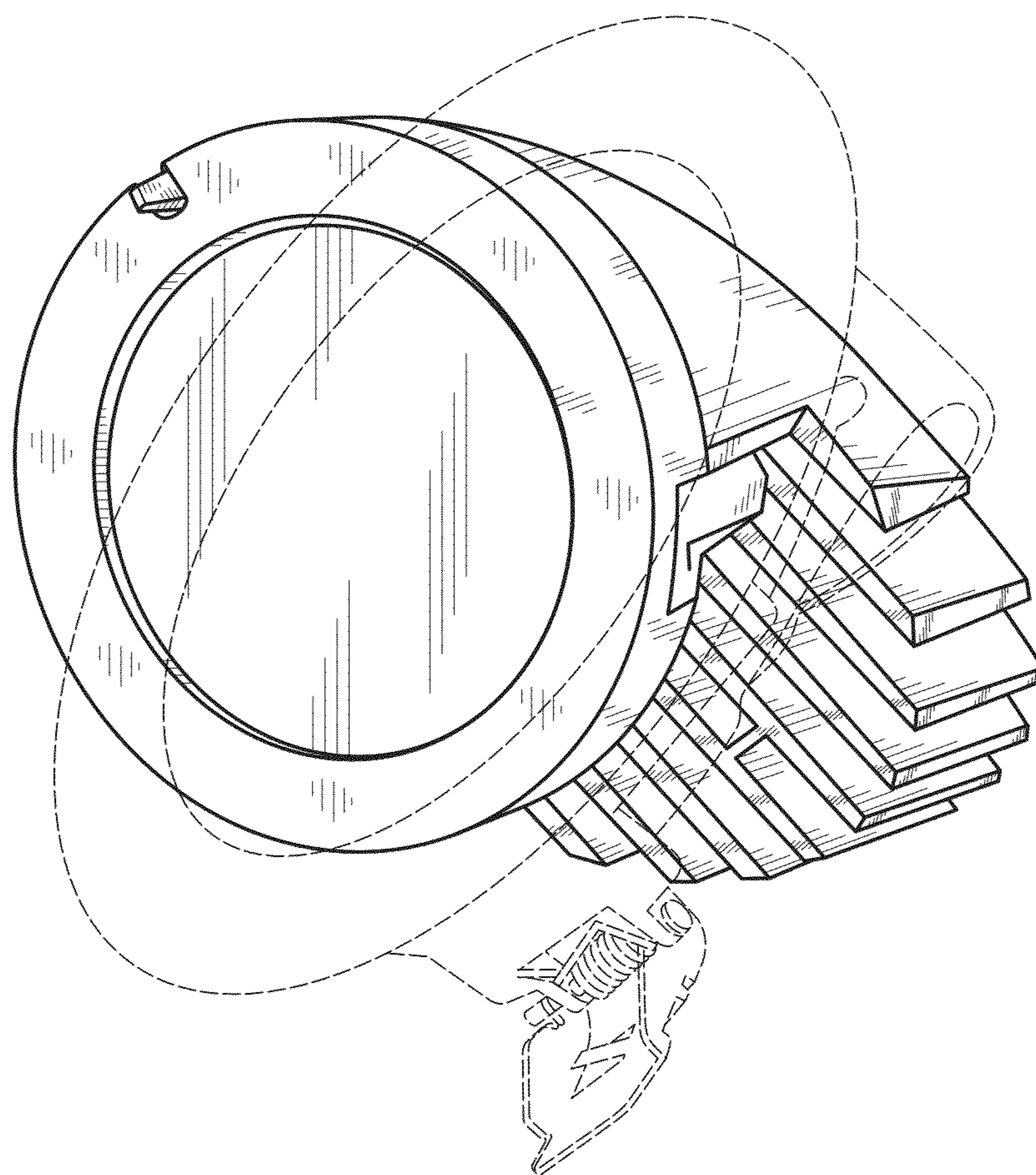


FIG. 8

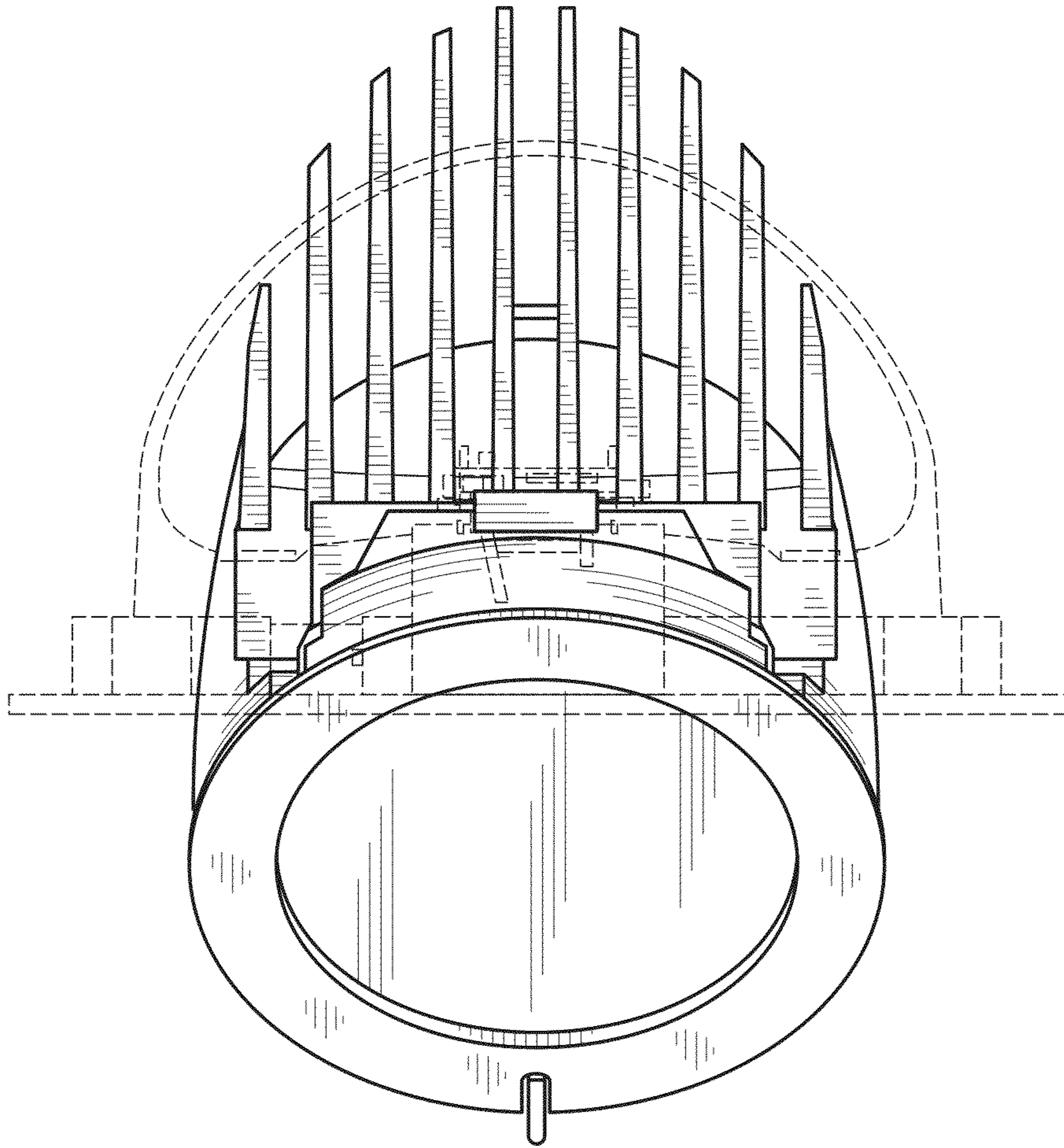


FIG. 9

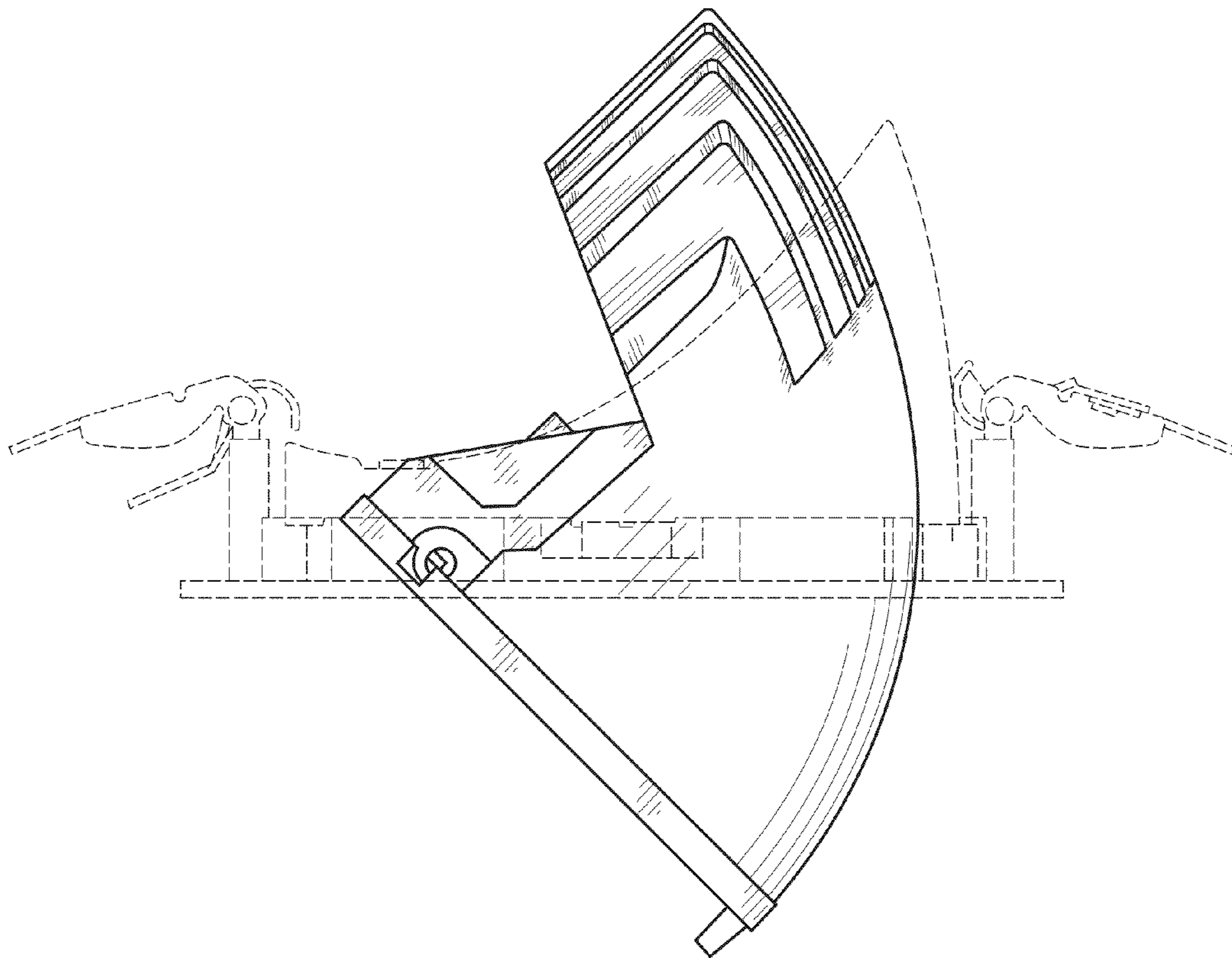


FIG. 10

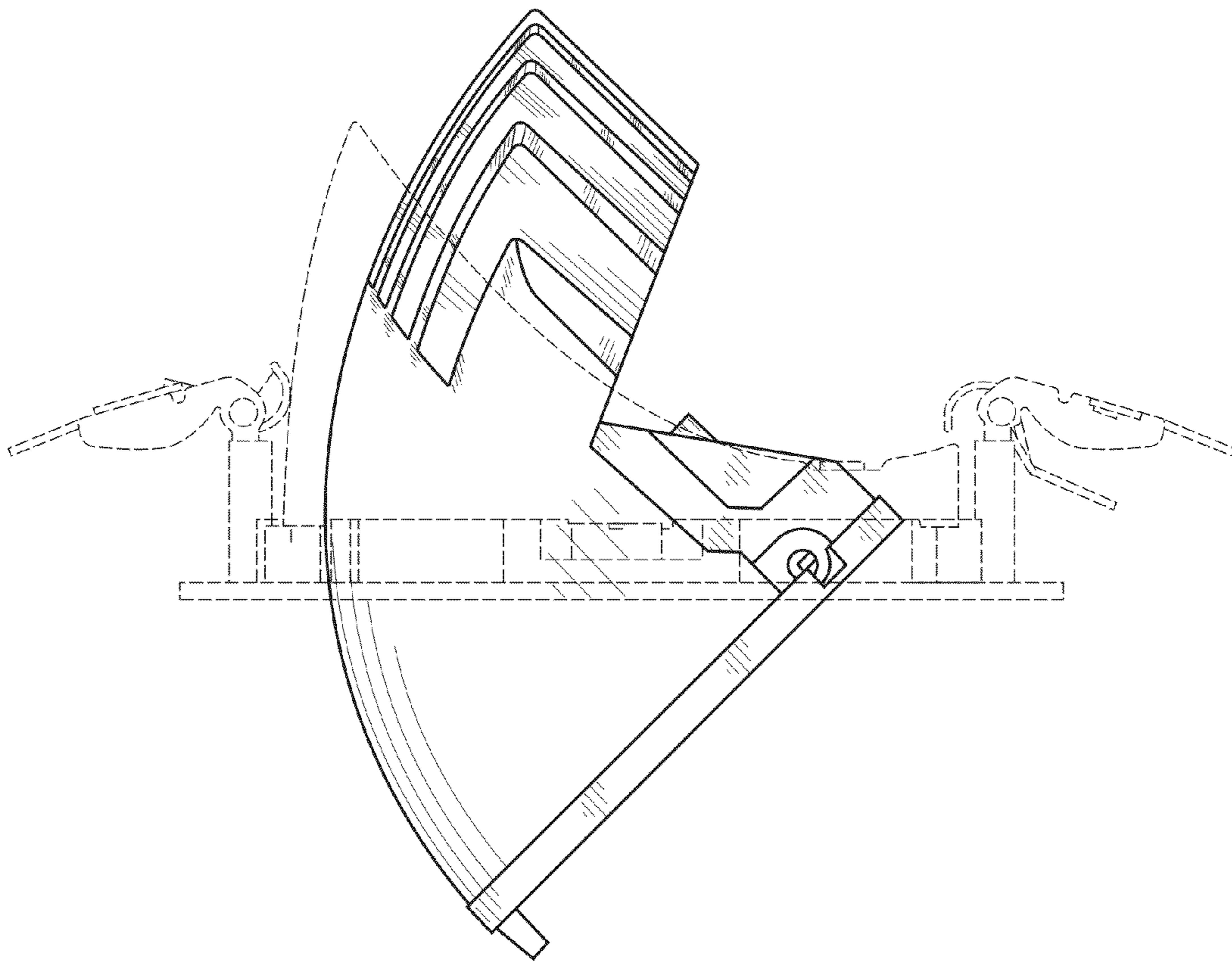


FIG. 11

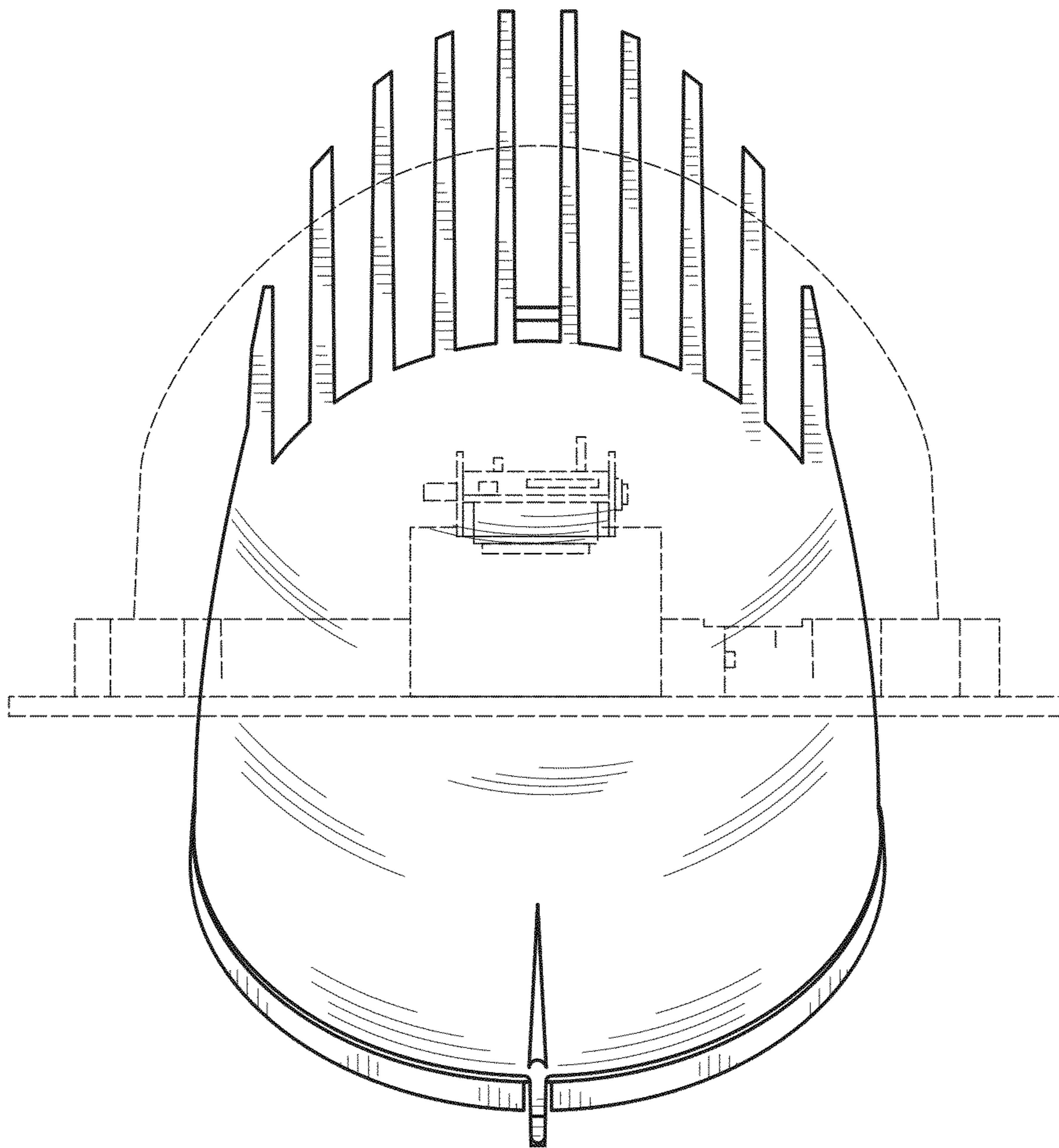


FIG. 12

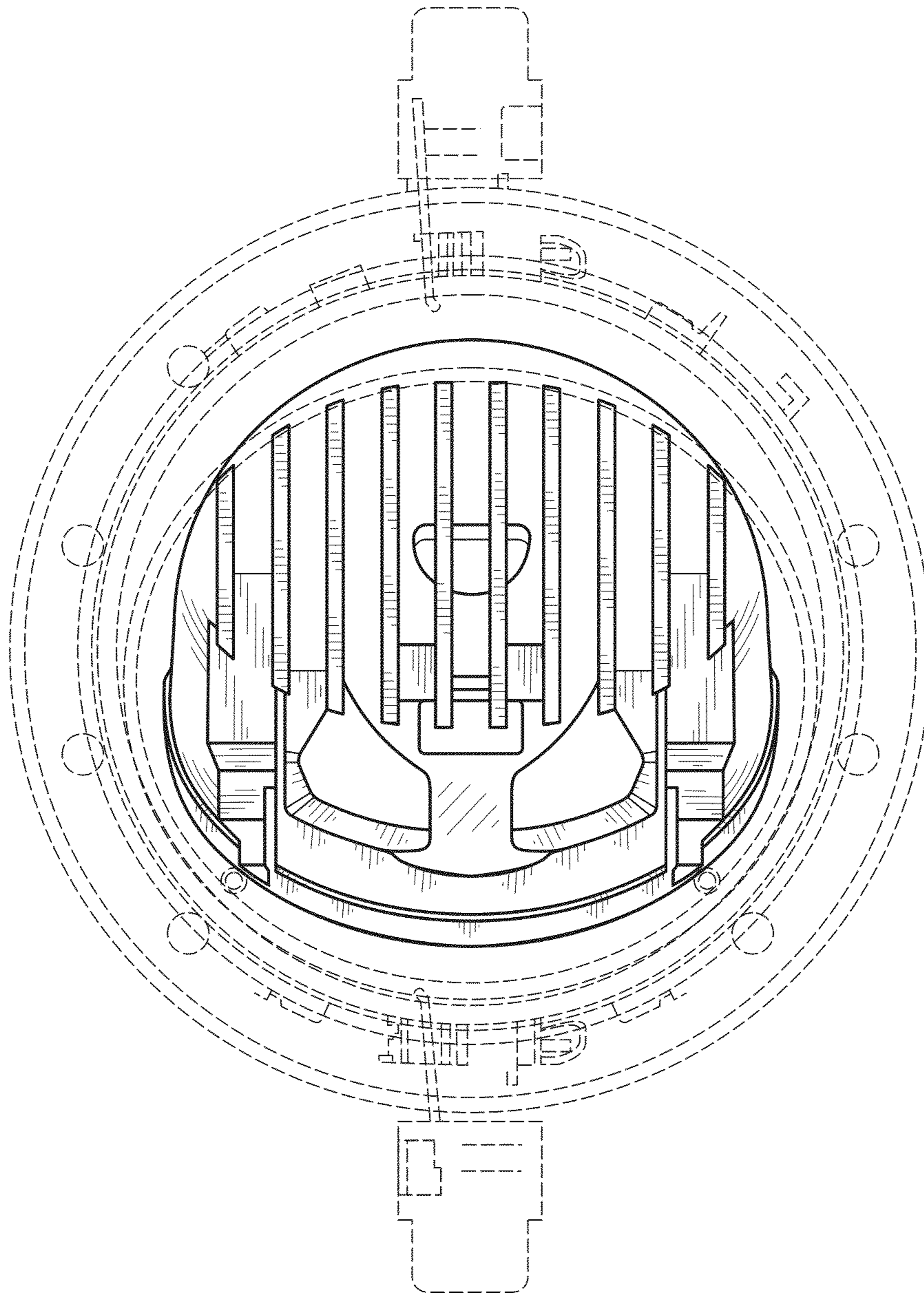


FIG. 13

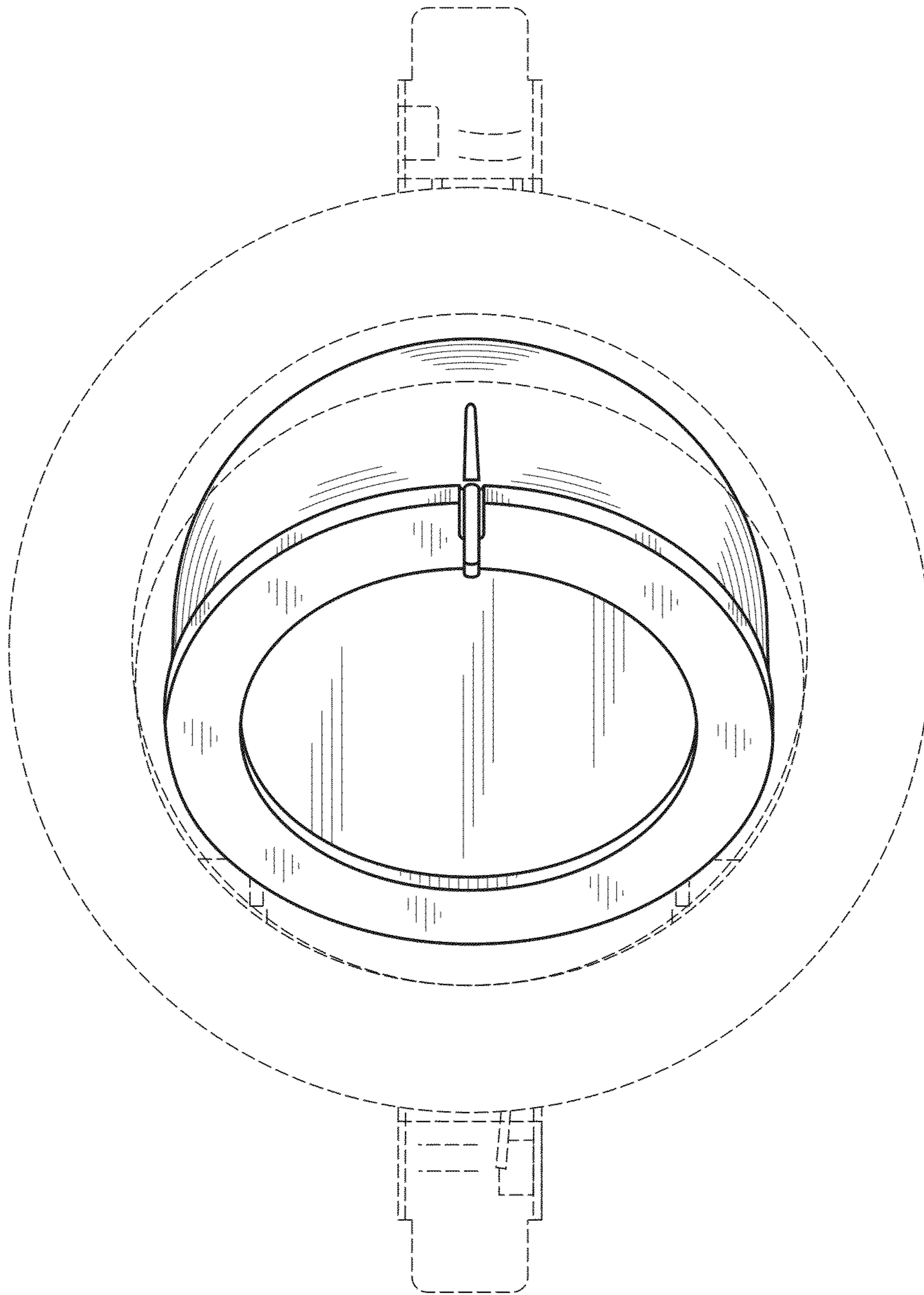


FIG. 14