



US00D745206S

(12) **United States Design Patent**
Clark

(10) **Patent No.:** **US D745,206 S**

(45) **Date of Patent:** **** Dec. 8, 2015**

(54) **SQUARED EDGE TABLE LAMP**

(71) Applicant: **3form, Inc.**, Salt Lake City, UT (US)

(72) Inventor: **W. Bruce Clark**, Redmond, WA (US)

(73) Assignee: **3Form, LLC**, Salt Lake City, UT (US)

(**) Term: **14 Years**

(21) Appl. No.: **29/473,159**

(22) Filed: **Nov. 19, 2013**

(51) **LOC (10) Cl.** **26-03**

(52) **U.S. Cl.**
USPC **D26/104; D26/106**

(58) **Field of Classification Search**
USPC D26/24, 93, 104, 106, 105
CPC F21S 6/00; F21S 6/002; F21S 6/004;
F21S 6/008; F21S 8/08; F21V 21/00; F21V
21/02; F21V 2131/30; F21V 1/00; F21V 1/02;
F21V 1/04

See application file for complete search history.

(56) **References Cited**

U.S. PATENT DOCUMENTS

D512,175 S * 11/2005 Santachiara D26/108
D589,641 S * 3/2009 Sabernig D26/93
D647,242 S * 10/2011 Staples D26/93
D676,996 S * 2/2013 Gismondi D26/104

* cited by examiner

Primary Examiner — Brian N Vinson

(74) *Attorney, Agent, or Firm* — Workman Nydegger

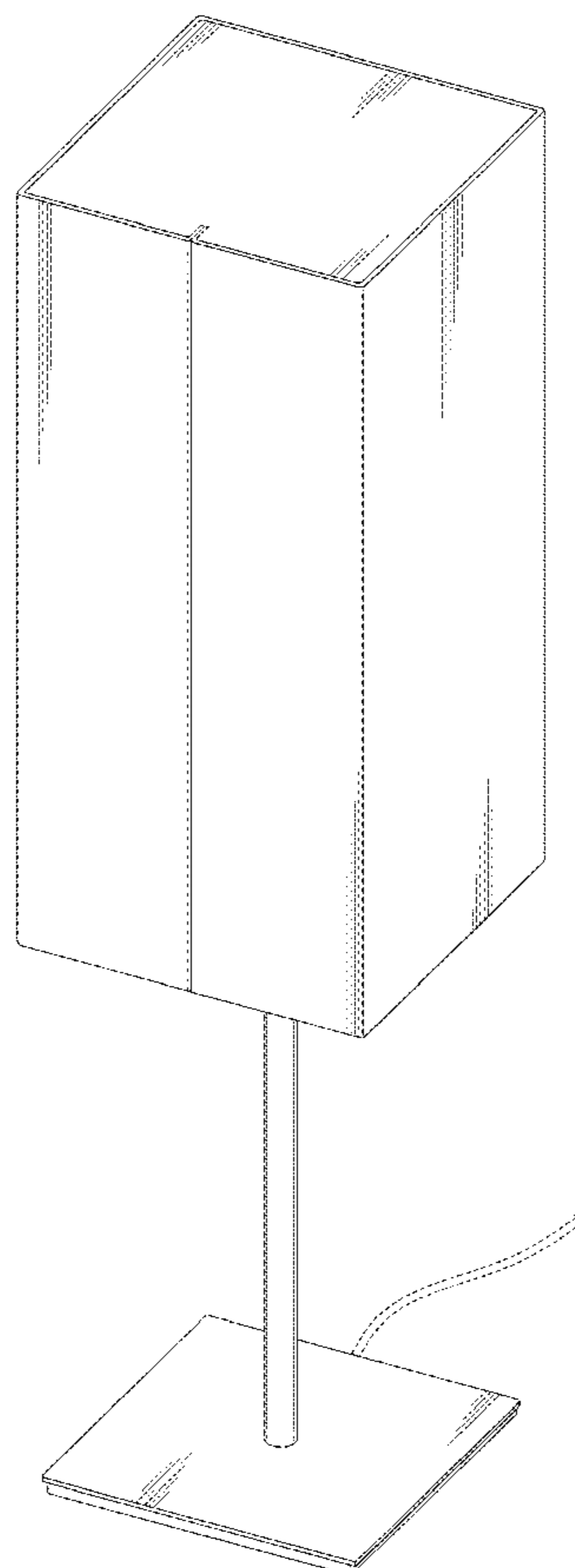
(57) **CLAIM**

The ornamental design for a squared edge table lamp, as shown and described.

DESCRIPTION

FIG. 1 is a top, front perspective view of a squared edge table lamp;
FIG. 2 is an elevated facing view thereof;
FIG. 3 is an elevated rear view thereof;
FIG. 4 is an elevated right side view thereof;
FIG. 5 is an elevated left side view thereof;
FIG. 6 is a bottom, rear perspective view thereof;
FIG. 7 is a top plan view thereof;
FIG. 8 is a bottom plan view thereof; and,
FIG. 9 is an exploded view thereof.
The broken lines in the drawings are included for illustrative purposes only and form no part of the claimed design.

1 Claim, 8 Drawing Sheets



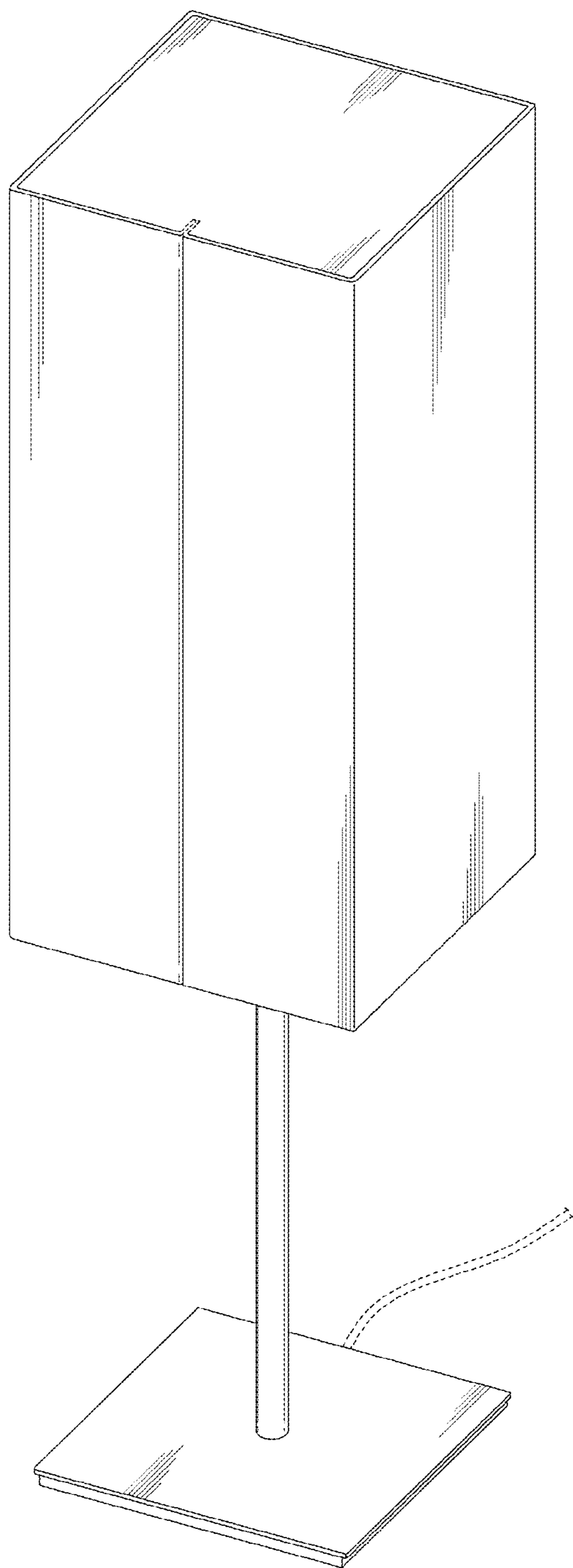


FIG. 1

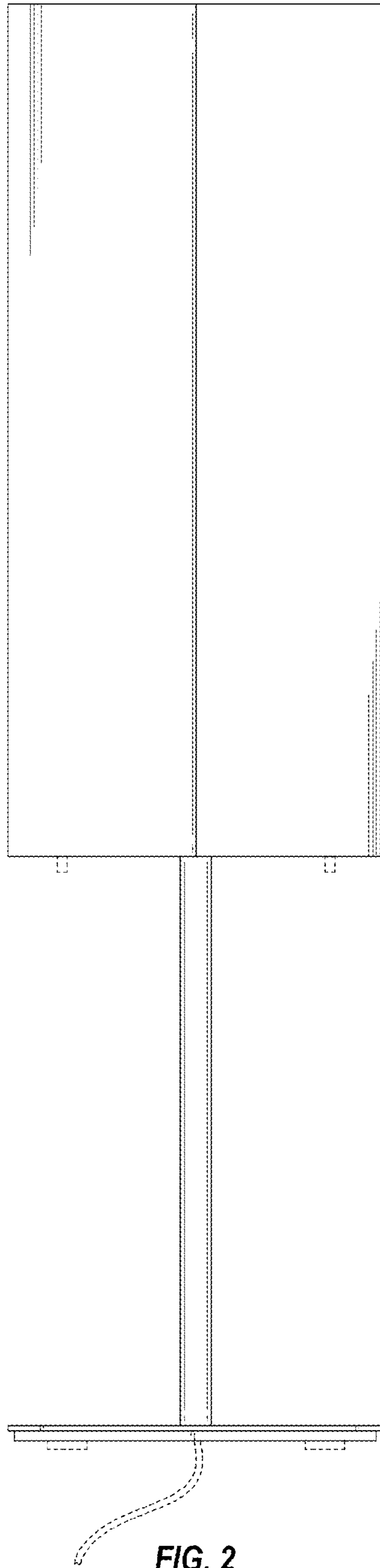


FIG. 2

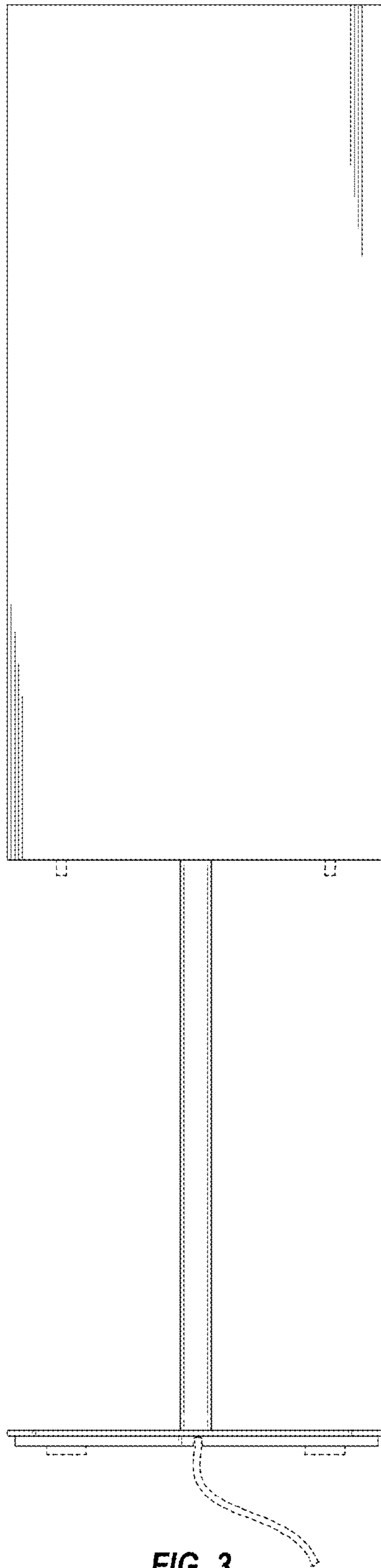


FIG. 3

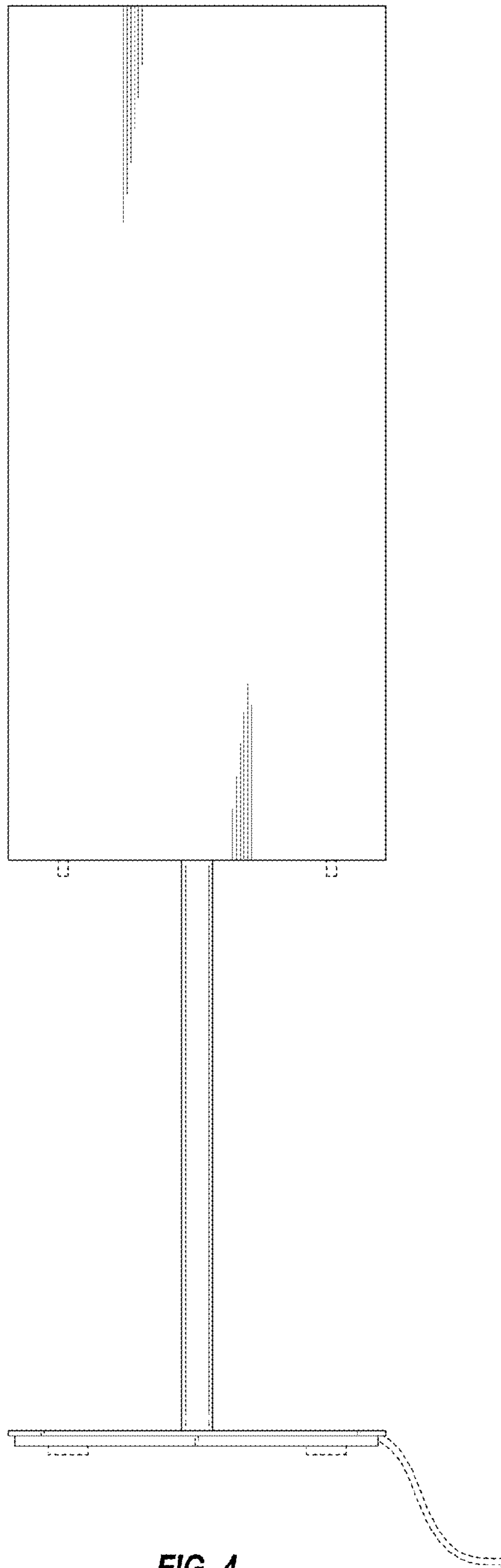


FIG. 4

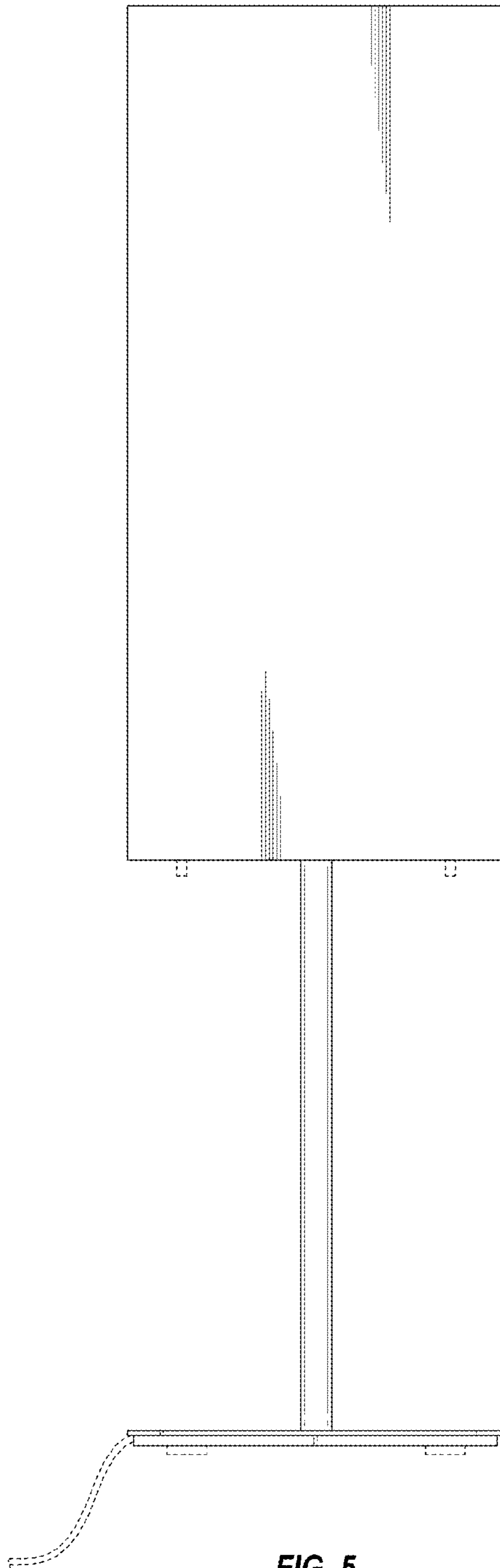


FIG. 5

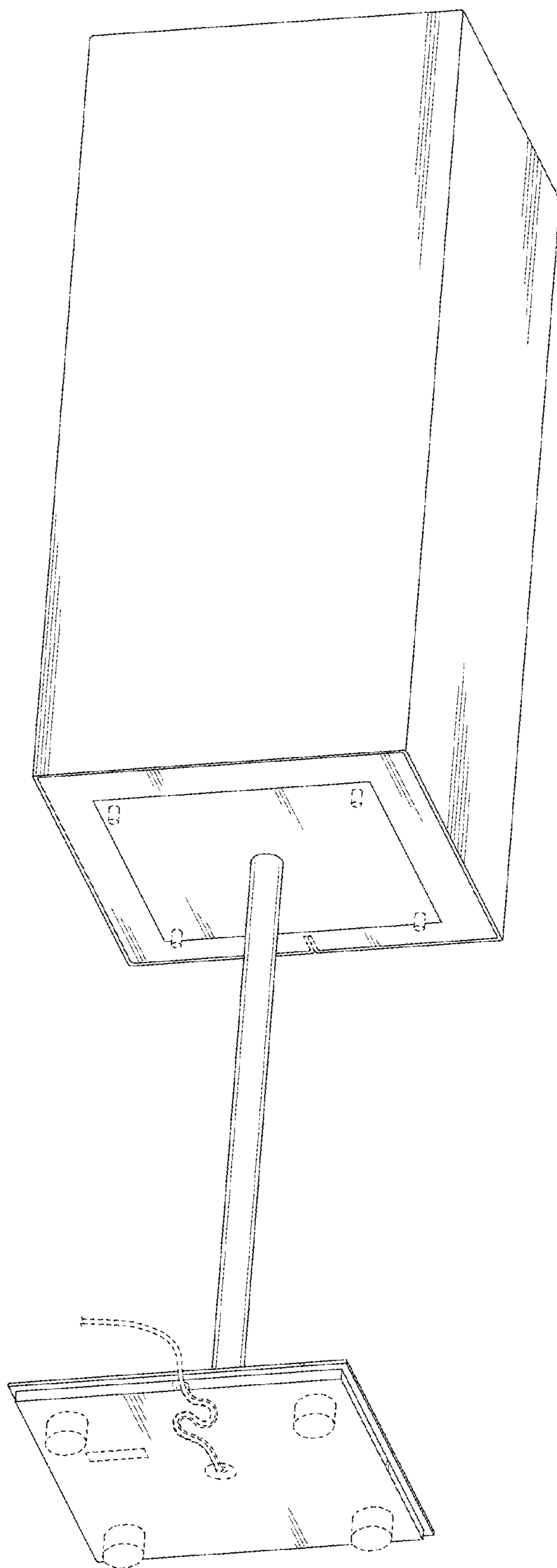


FIG. 6

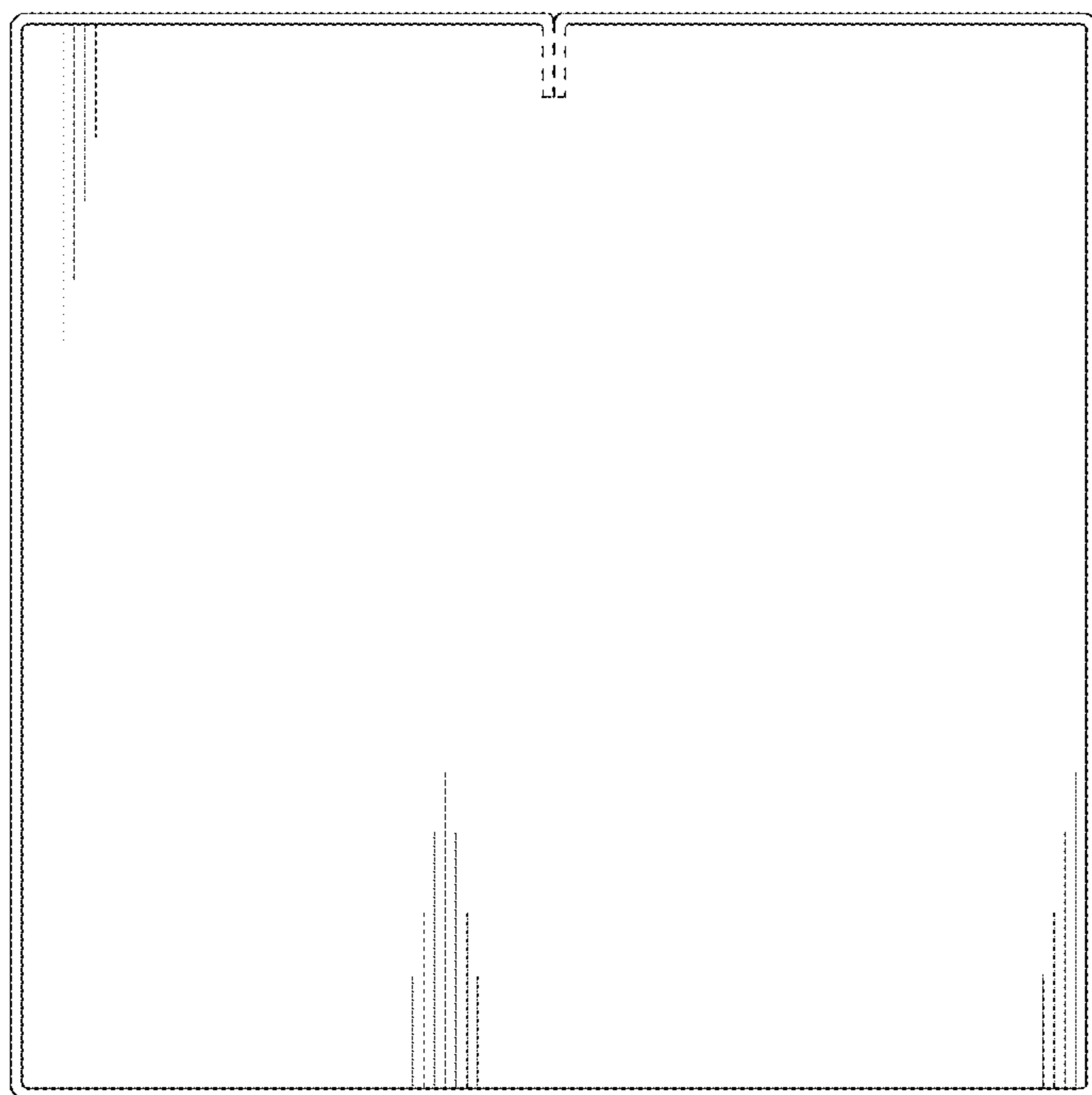


FIG. 7

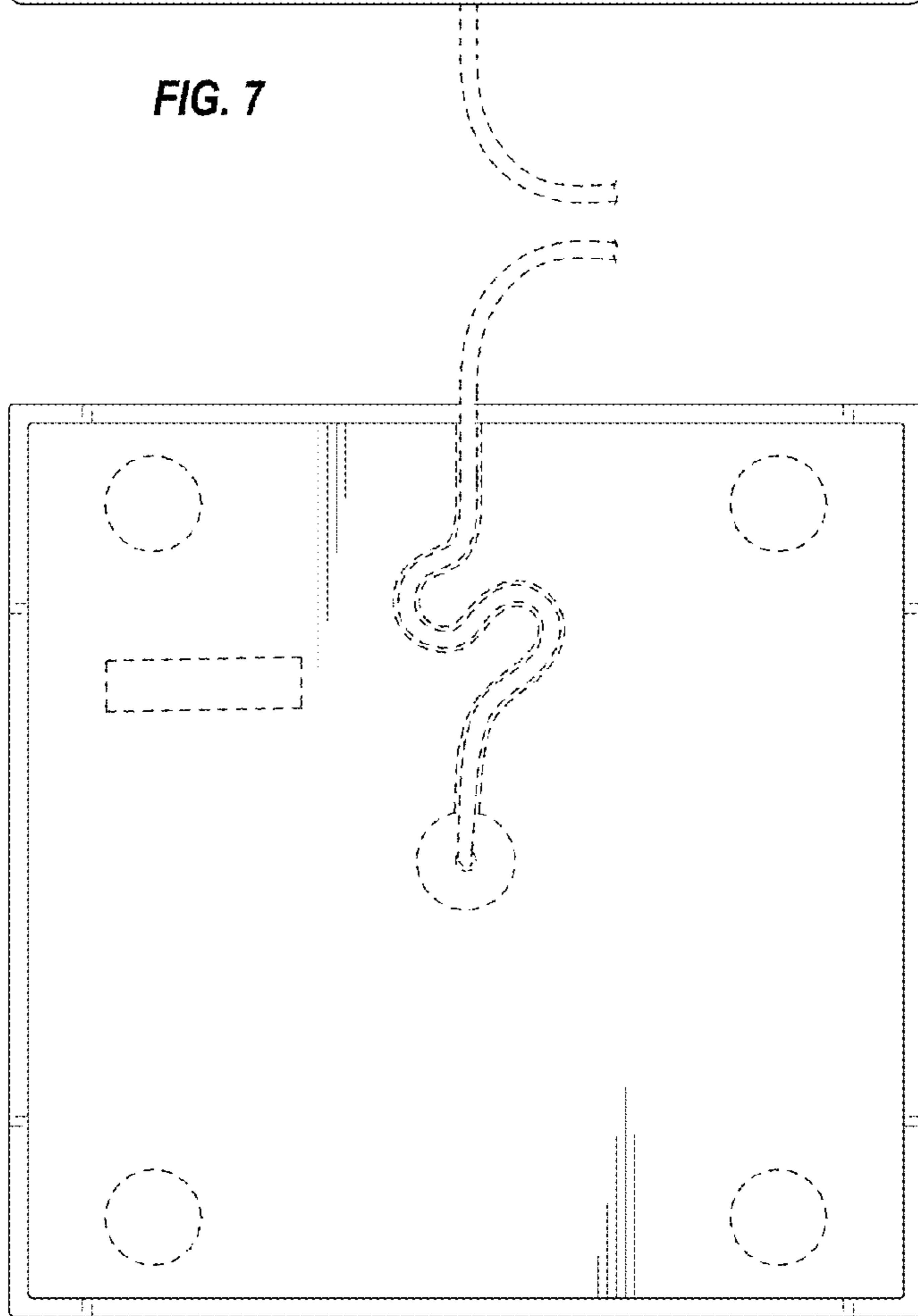


FIG. 8

