



US00D745204S

(12) **United States Design Patent**
Skira

(10) **Patent No.:** **US D745,204 S**

(45) **Date of Patent:** **** Dec. 8, 2015**

(54) **LIGHTING FIXTURE**

(71) Applicant: **IGUZZINI ILLUMINAZIONE S.P.A.**,
Recanati (IT)

(72) Inventor: **Dean Skira**, Pula (HR)

(73) Assignee: **IGUZZINI ILLUMINAZIONE S.P.A.**,
Recanati (IT)

(**) Term: **14 Years**

(21) Appl. No.: **29/503,007**

(22) Filed: **Sep. 22, 2014**

(30) **Foreign Application Priority Data**

Mar. 21, 2014 (EM) 0024300900008

(51) **LOC (10) Cl.** **26-05**

(52) **U.S. Cl.**
USPC **D26/68**

(58) **Field of Classification Search**
USPC D26/67-70, 89, 93; D10/113.2;
D25/128, 135

CPC F21S 6/004; F21S 6/005; F21S 6/007;
F21S 6/008; F21S 8/032; F21S 8/08; F21S
8/081; F21S 8/083; F21S 8/085
See application file for complete search history.

(56) **References Cited**

U.S. PATENT DOCUMENTS

726,801 A * 4/1903 Maxwell 138/115
D205,974 S * 10/1966 Lawlor D10/114.6

3,578,963 A * 5/1971 De Vos et al. 362/247
3,950,639 A * 4/1976 Van Steenhoven 362/309
D290,410 S * 6/1987 Haggard D26/68
D318,136 S * 7/1991 Kira D26/68
D330,778 S * 11/1992 Hall et al. D26/68
D435,130 S * 12/2000 Landefeld D26/68
D443,094 S * 5/2001 Landefeld D26/68
D697,246 S * 1/2014 Martzall D26/67
8,684,571 B1 * 4/2014 Alaura et al. 362/431
D708,536 S * 7/2014 Lyhne D10/113.2
2012/0287610 A1 * 11/2012 Krogman 362/152

* cited by examiner

Primary Examiner — Clare E Heflin

(74) *Attorney, Agent, or Firm* — Abelman, Frayne &
Schwab

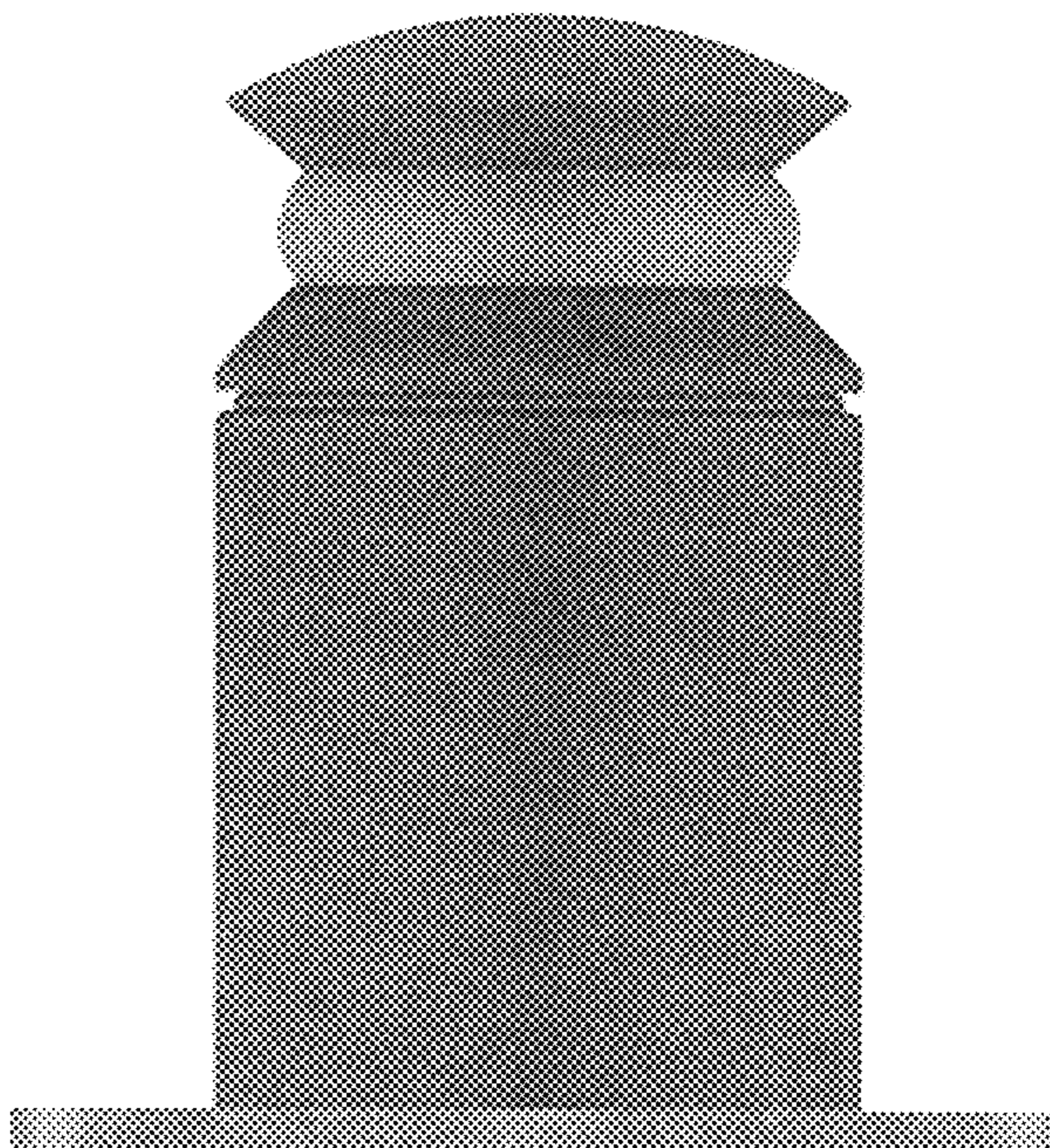
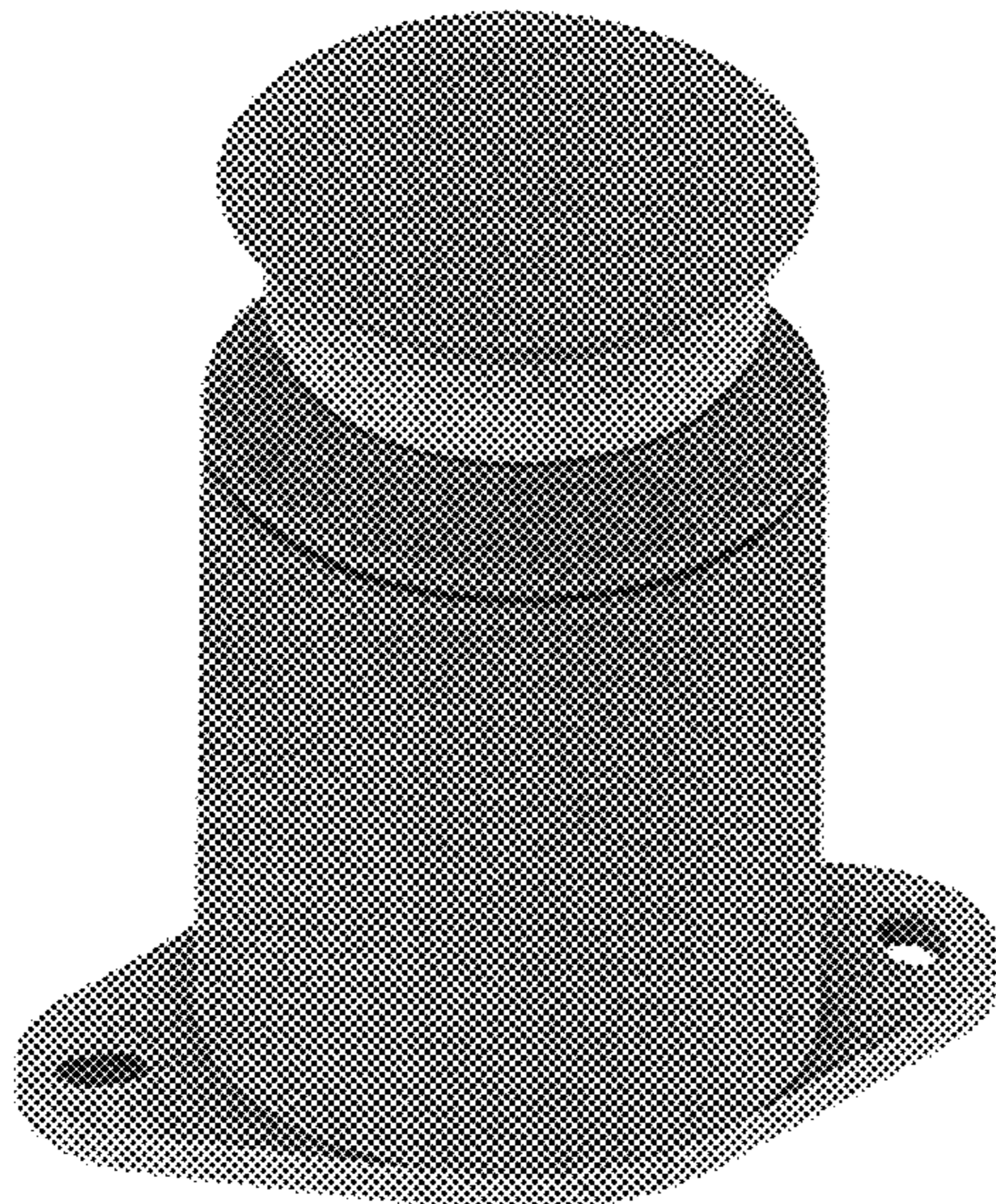
(57) **CLAIM**

The ornamental design for a lighting fixture, as shown and
described.

DESCRIPTION

FIG. 1 is a top, front and left side perspective view of the
lighting fixture showing my new design;
FIG. 2 is a front elevational view thereof;
FIG. 3 is a right side elevational view thereof;
FIG. 4 is a left side elevational view thereof;
FIG. 5 is a rear elevational view thereof;
FIG. 6 is a top plan view thereof; and,
FIG. 7 is a bottom view thereof.

1 Claim, 7 Drawing Sheets



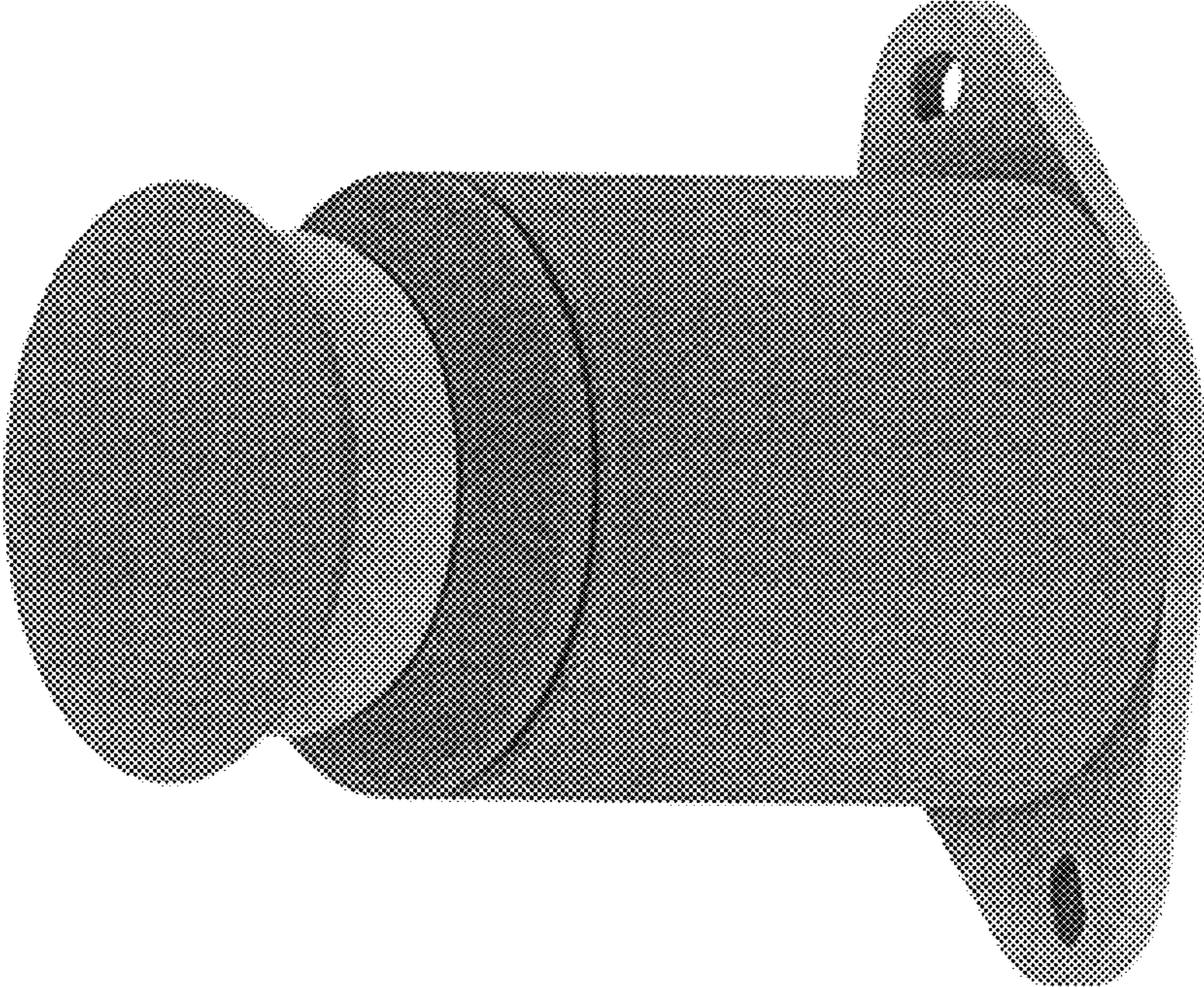


FIG. 1

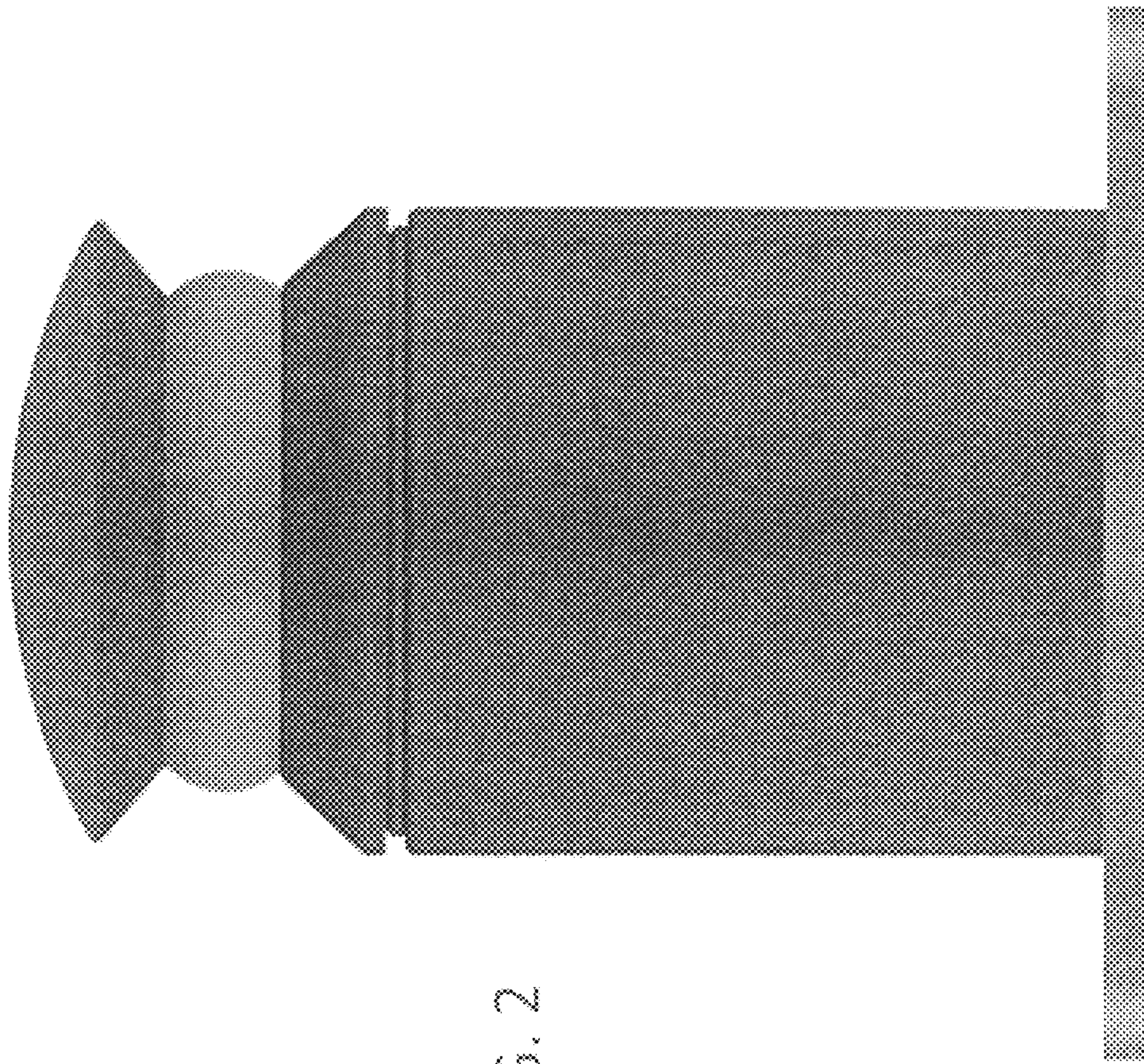


FIG. 2

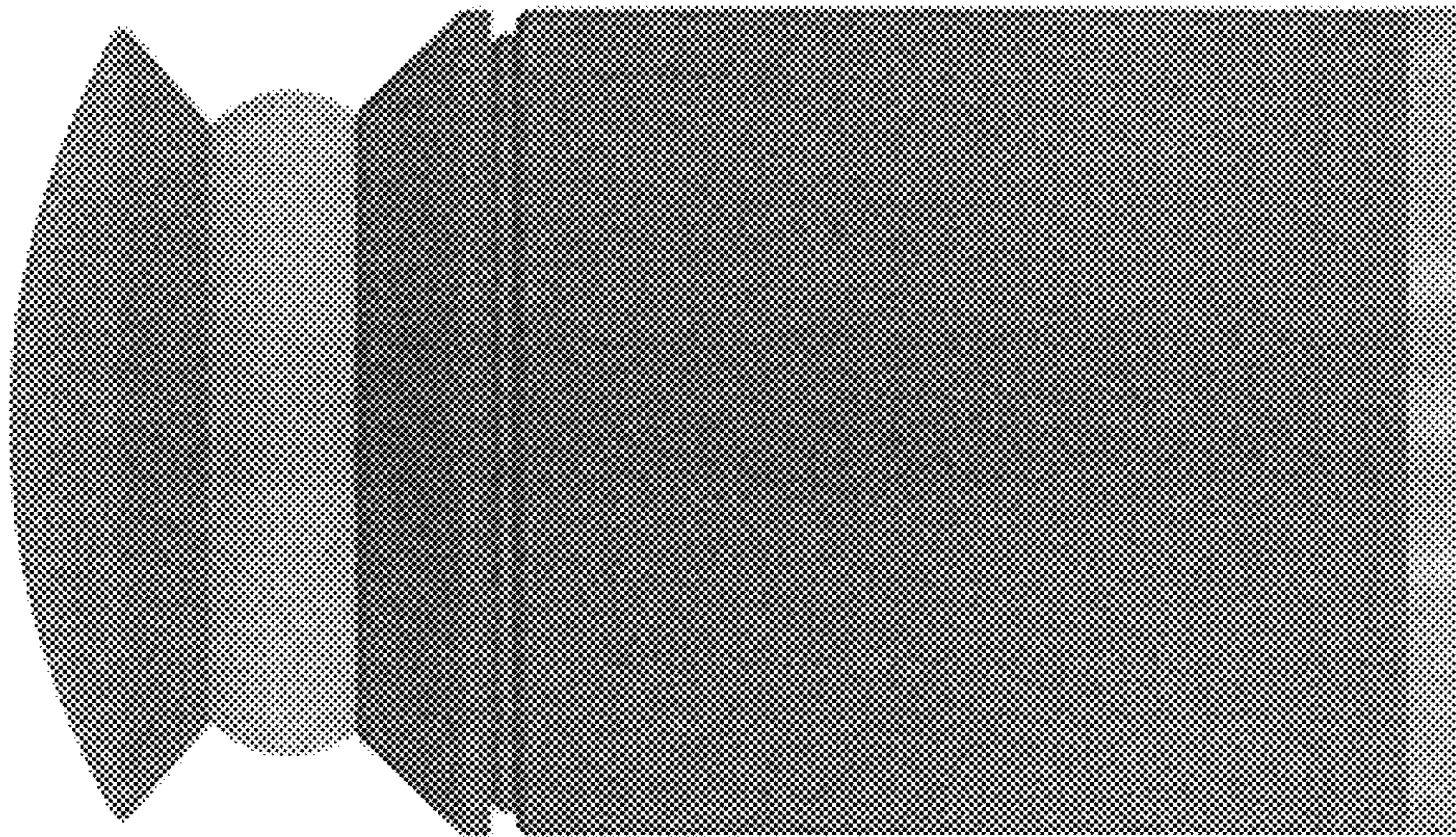


FIG. 3

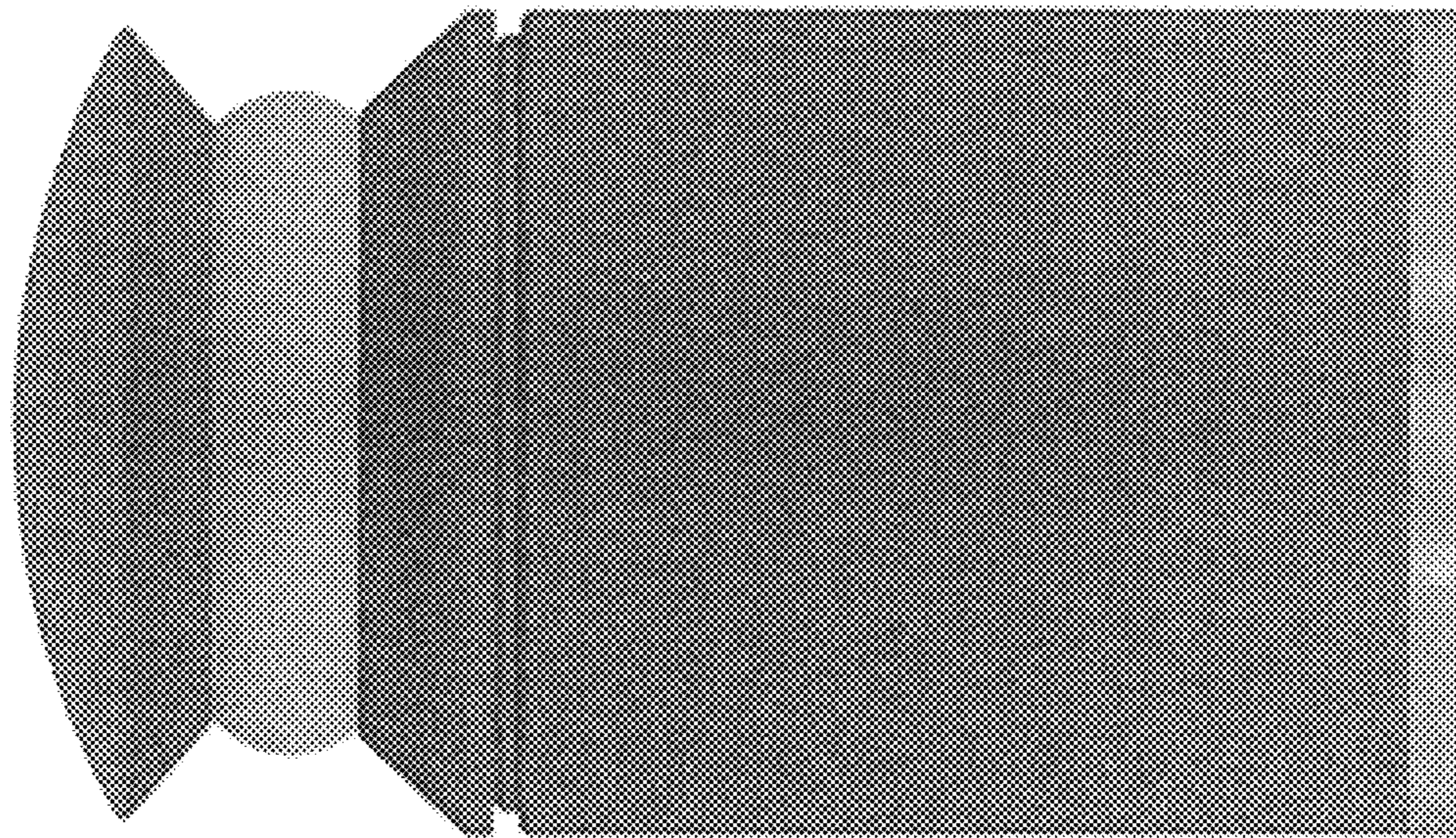


FIG. 4

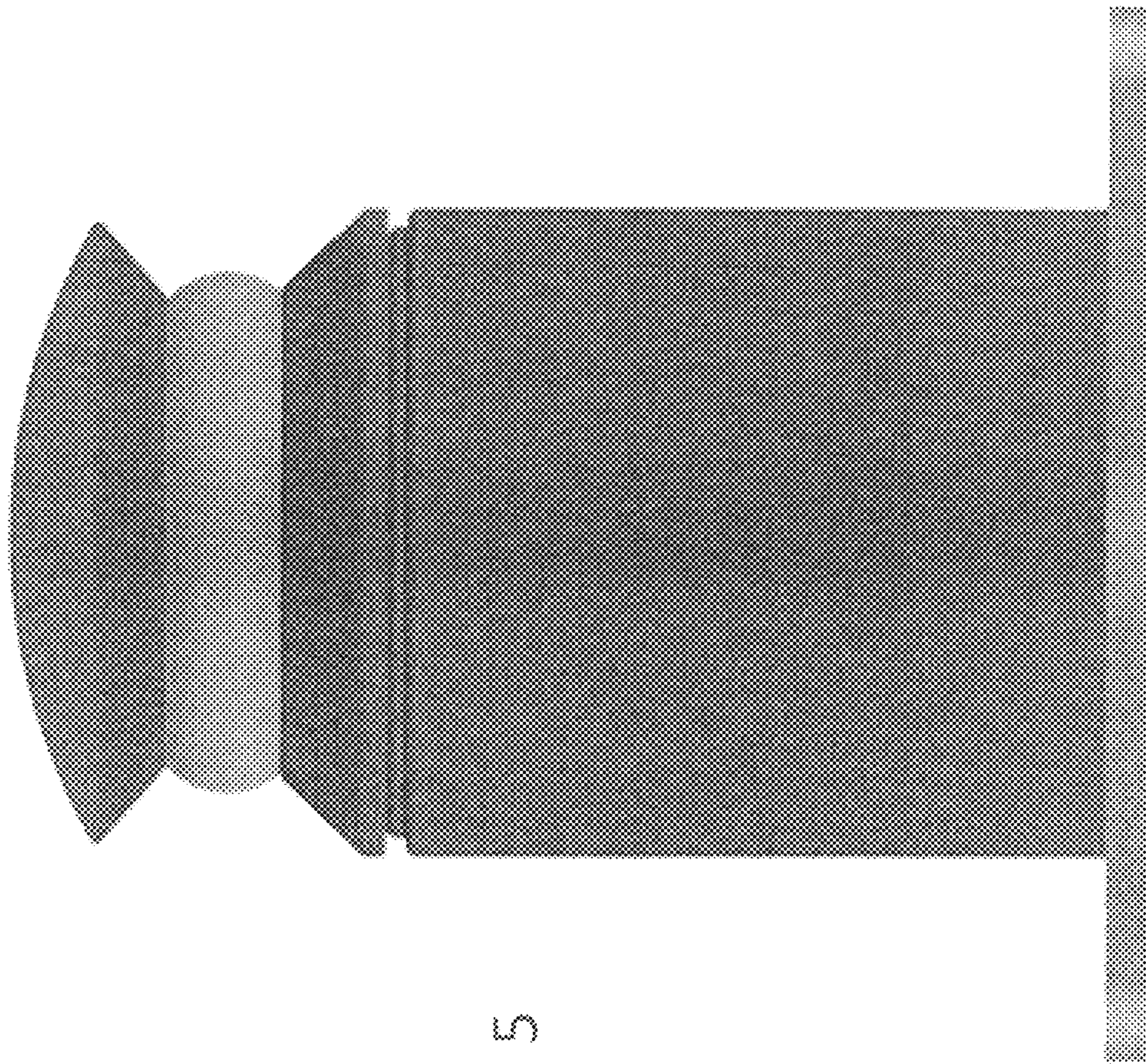


FIG. 5

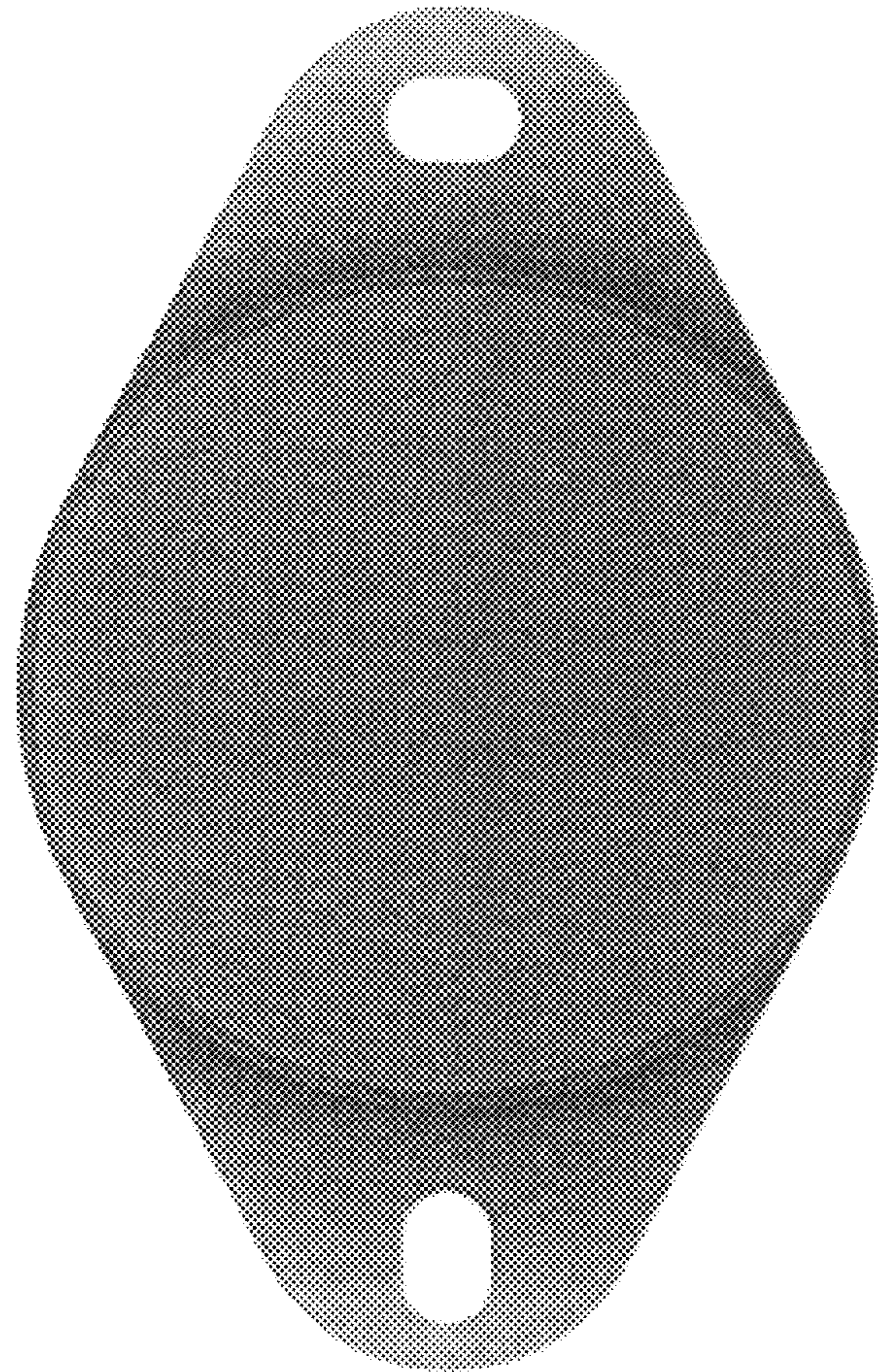


FIG. 6

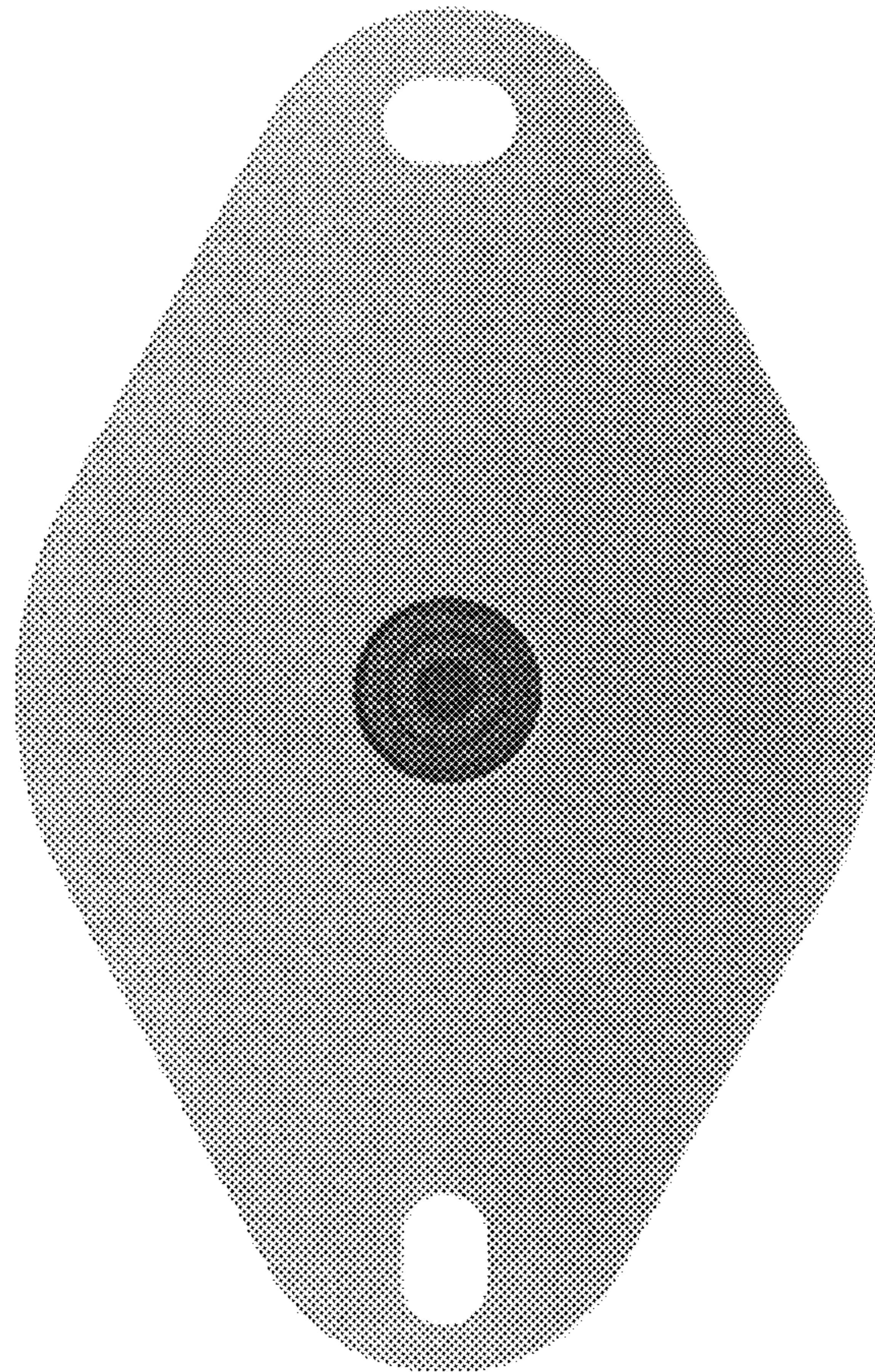


FIG. 7