



US00D745203S

(12) **United States Design Patent**  
**Jepson**

(10) **Patent No.:** **US D745,203 S**  
(45) **Date of Patent:** **\*\* Dec. 8, 2015**

- (54) **LIGHT**
- (71) Applicant: **Artika For Living Inc.**, Dorval (CA)
- (72) Inventor: **Raymond Jepson**, Montreal (CA)
- (73) Assignee: **Artika for Living Inc.**, Dorval, Quebec (CA)
- (\*\*) Term: **14 Years**
- (21) Appl. No.: **29/494,350**
- (22) Filed: **Jun. 19, 2014**
- (51) **LOC (10) Cl.** ..... **26-03**
- (52) **U.S. Cl.**  
USPC ..... **D26/63**
- (58) **Field of Classification Search**  
USPC ..... D26/1, 24, 61, 63, 65, 85, 92  
CPC ..... F21V 21/14; F21V 15/01; F21V 14/02;  
F21V 21/30; F21V 21/00; F21V 14/00;  
F21S 8/00; F21S 8/003; F21S 8/043; F21Y  
2105/001  
See application file for complete search history.

- D331,294 S \* 11/1992 Wereley ..... D26/63
- D552,779 S \* 10/2007 Starck ..... D26/63
- D567,979 S \* 4/2008 Starck ..... D26/63
- D625,450 S \* 10/2010 Rosenkrantz et al. .... D26/61
- D631,588 S \* 1/2011 Bergmann et al. .... D26/63

\* cited by examiner

*Primary Examiner* — Brian N Vinson  
(74) *Attorney, Agent, or Firm* — Robert Brouillette;  
Brouillette & Partners

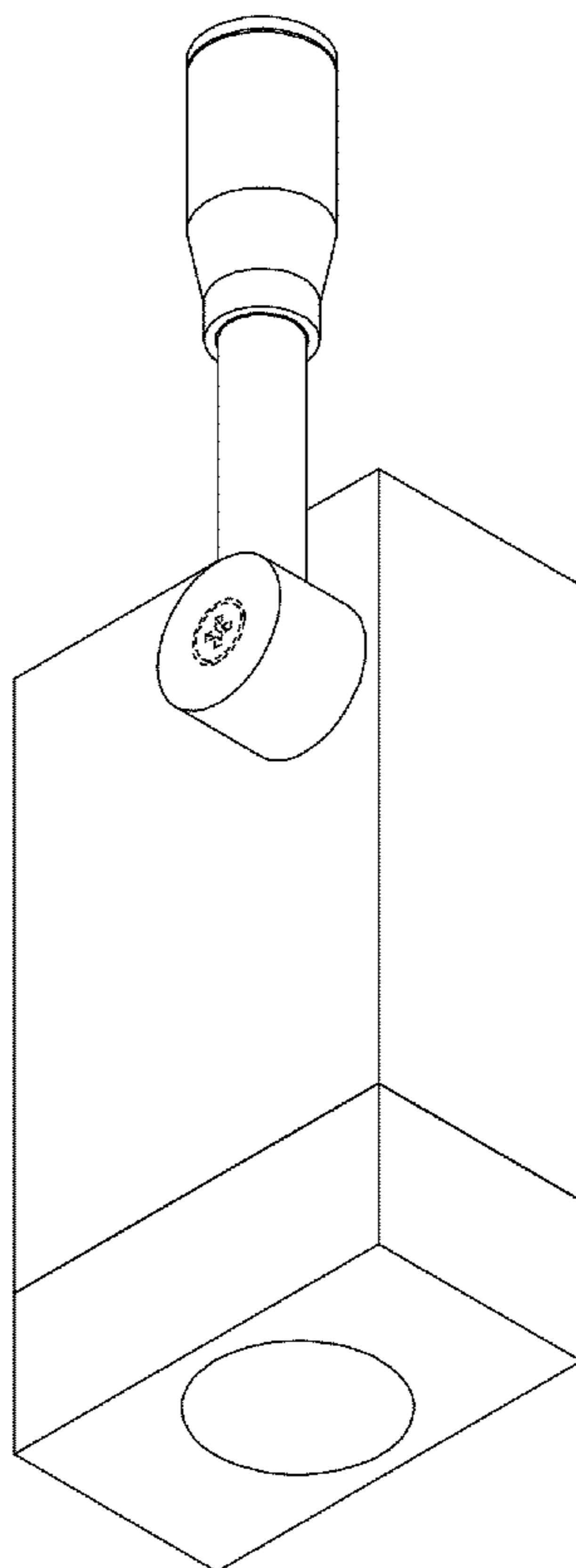
(57) **CLAIM**  
The ornamental design for a light, as shown and described.

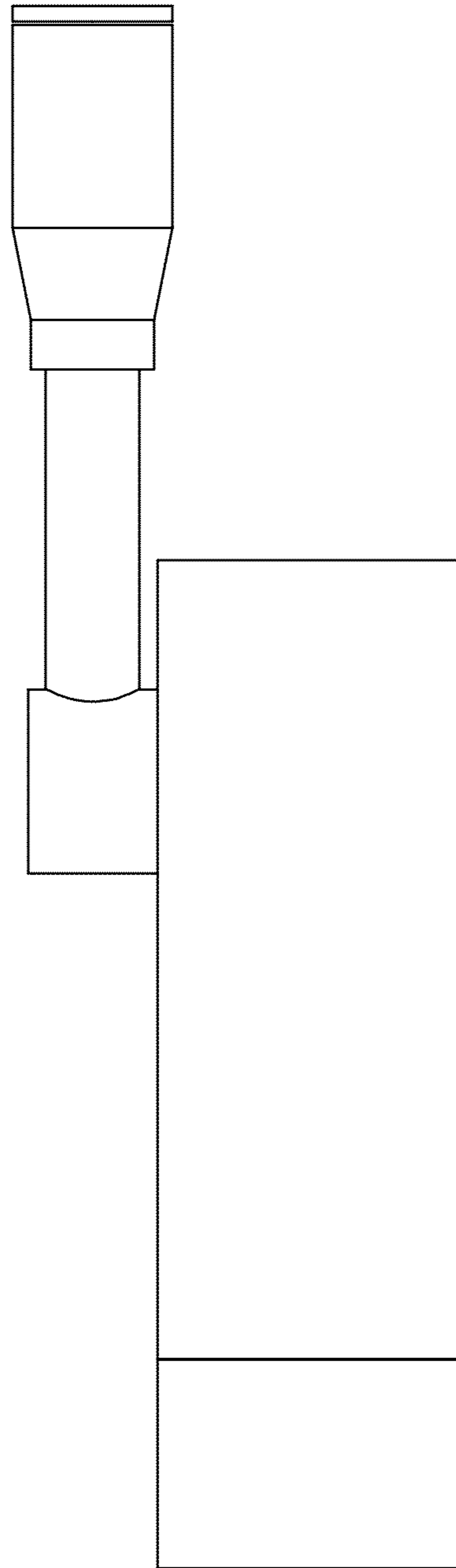
**DESCRIPTION**

FIG. 1 is a left side view of the light;  
FIG. 2 is a right side view of the light;  
FIG. 3 is a rear view of the light;  
FIG. 4 is a front view of the light;  
FIG. 5 is a top view of the light;  
FIG. 6 is a bottom view of the light;  
FIG. 7 is a top rear and left side perspective view of the light;  
FIG. 8 is a bottom rear and left side perspective view of the light;  
FIG. 9 is a top front and left side perspective view of the light;  
and,  
FIG. 10 is a bottom front and left side perspective view of the light.  
The elements and structures in broken lines in FIGS. 3 and 5-8 are included for purpose of showing portions that form no part of the claimed design.

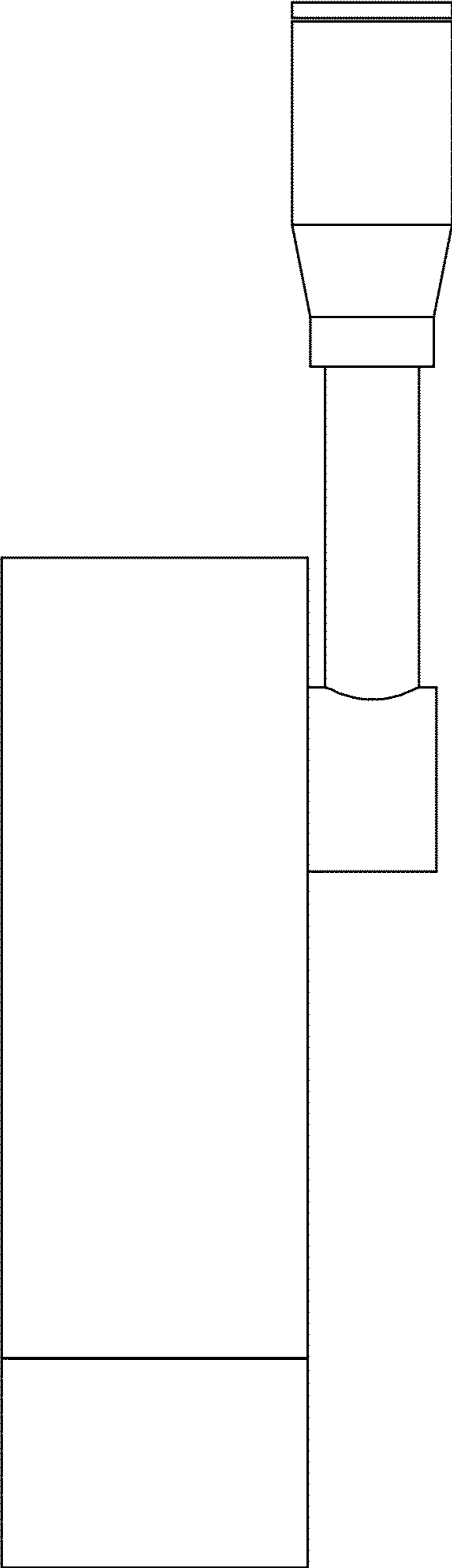
**1 Claim, 10 Drawing Sheets**

- (56) **References Cited**  
U.S. PATENT DOCUMENTS  
D291,925 S \* 9/1987 Dacanay ..... D26/61  
D330,944 S \* 11/1992 Wereley ..... D26/63

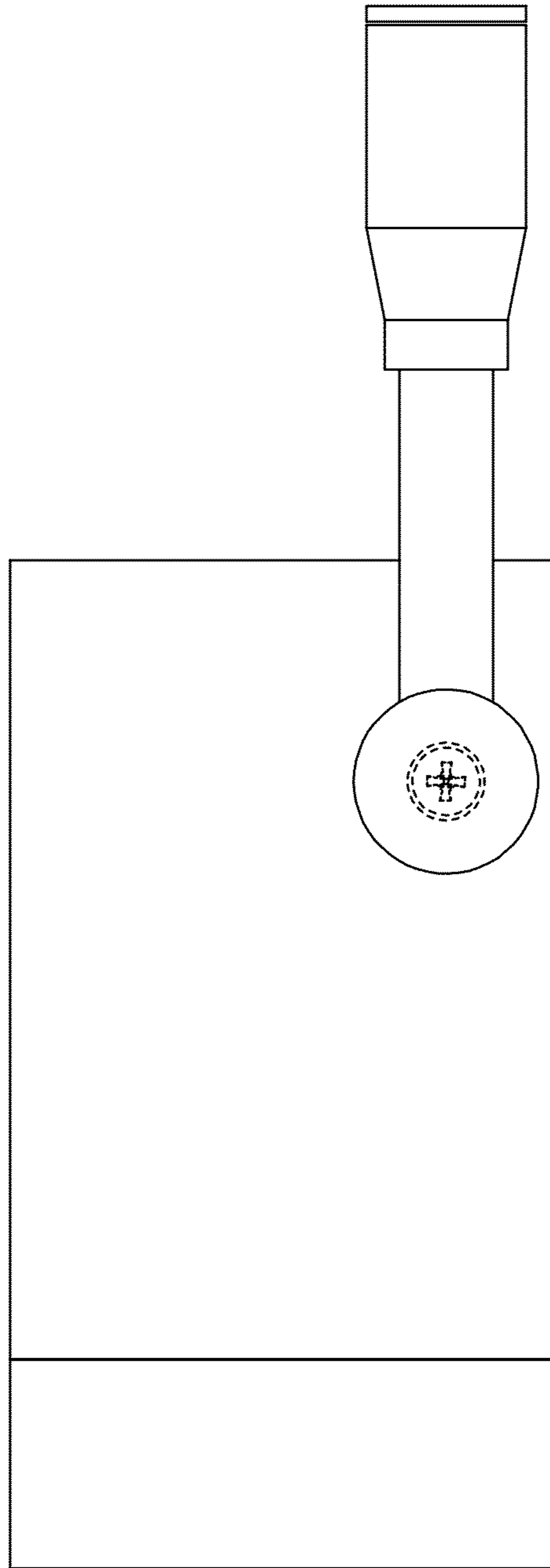




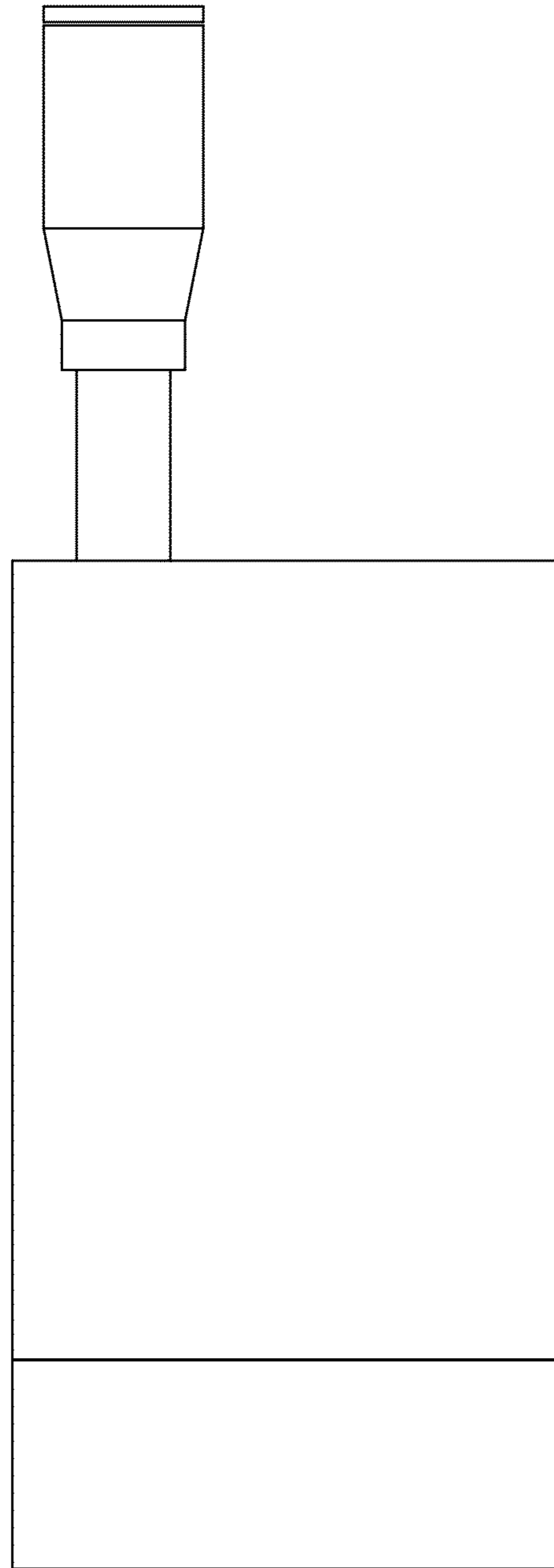
**FIG. 1**



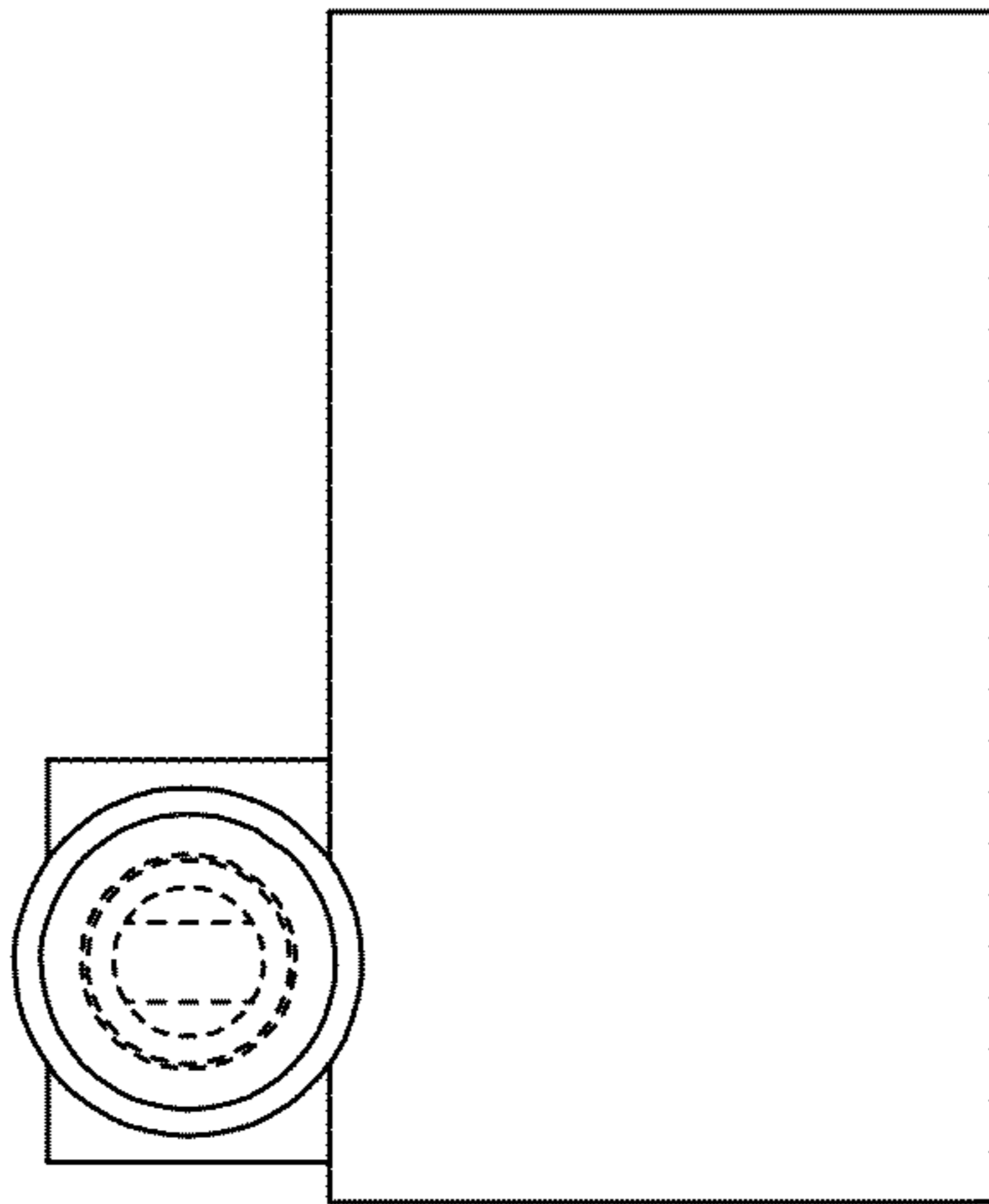
**FIG. 2**



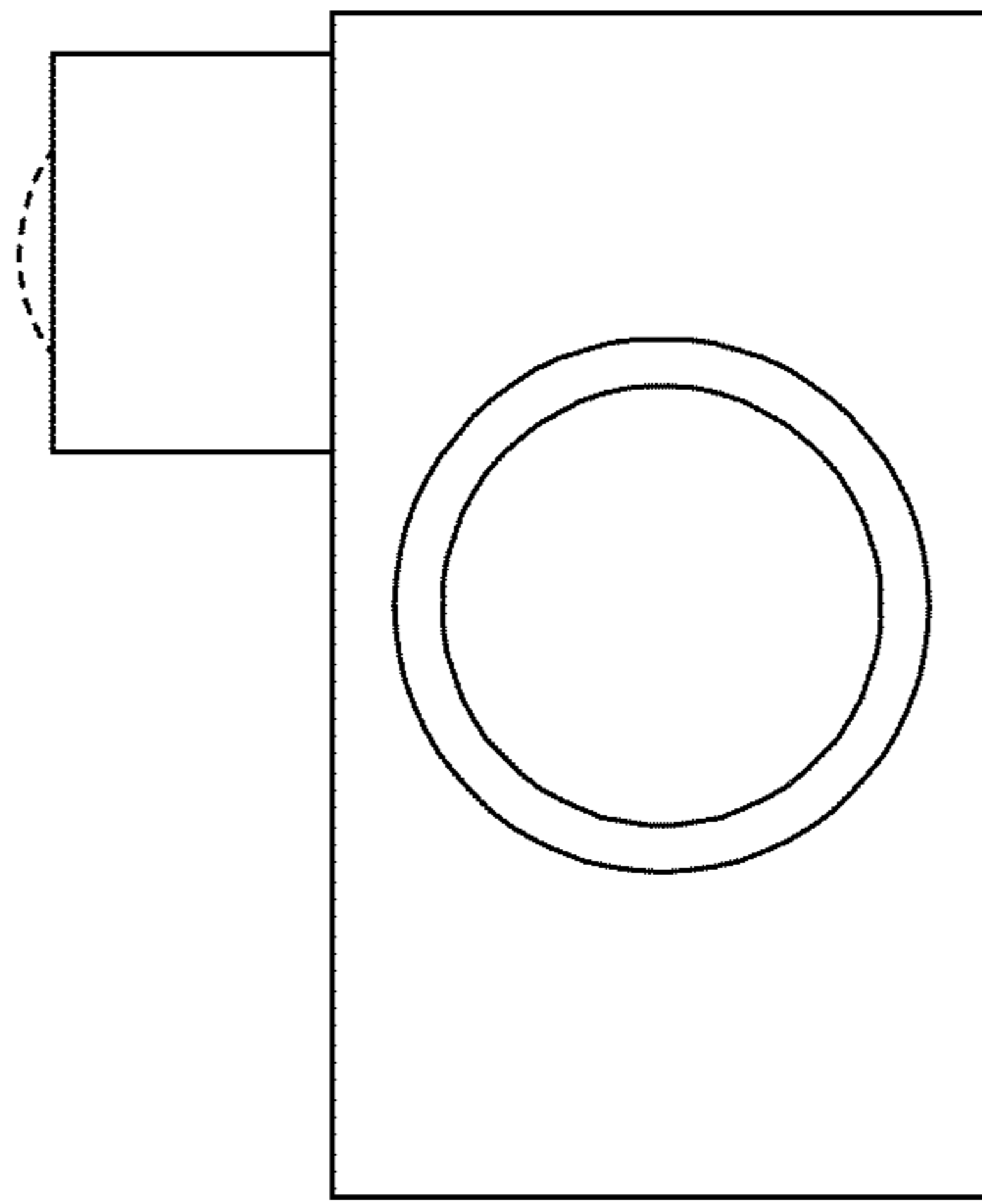
**FIG. 3**



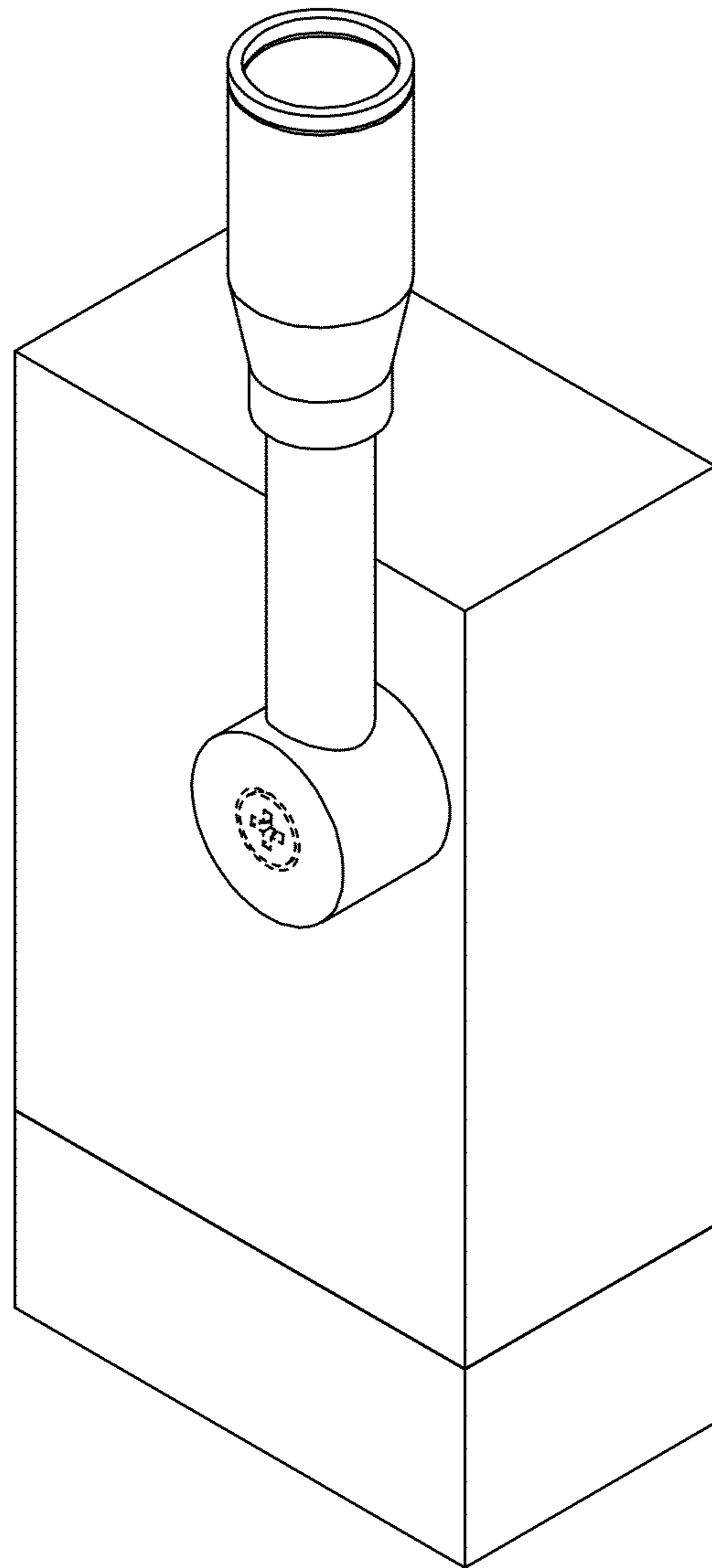
**FIG. 4**



**FIG. 5**

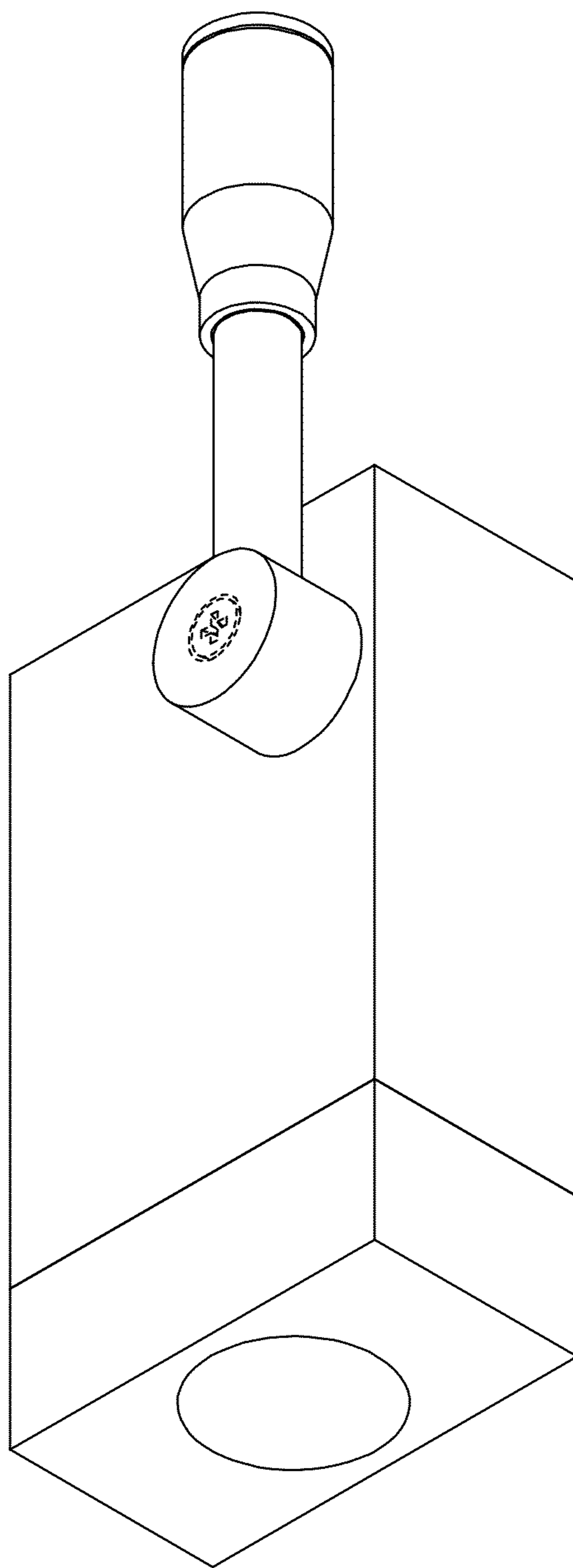


**FIG. 6**

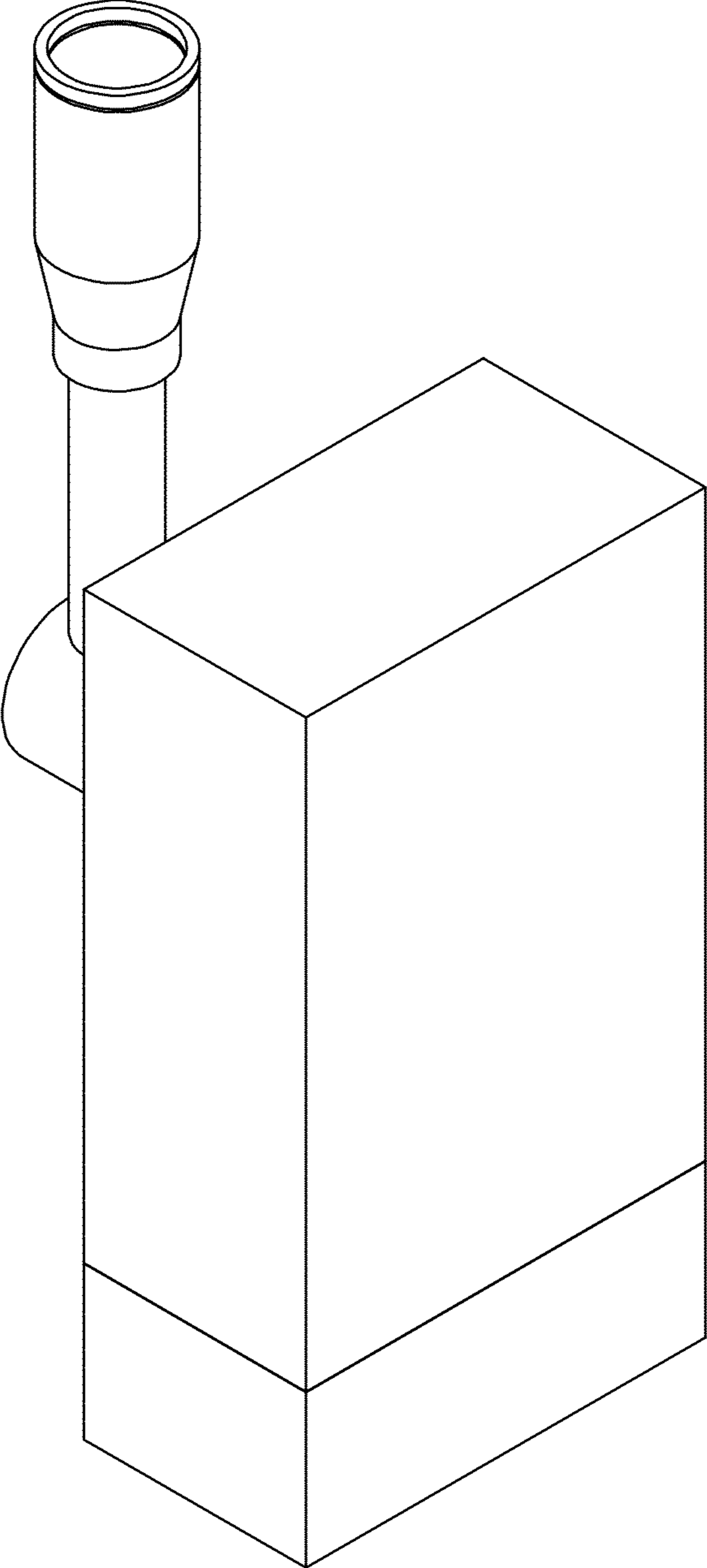


**FIG. 7**

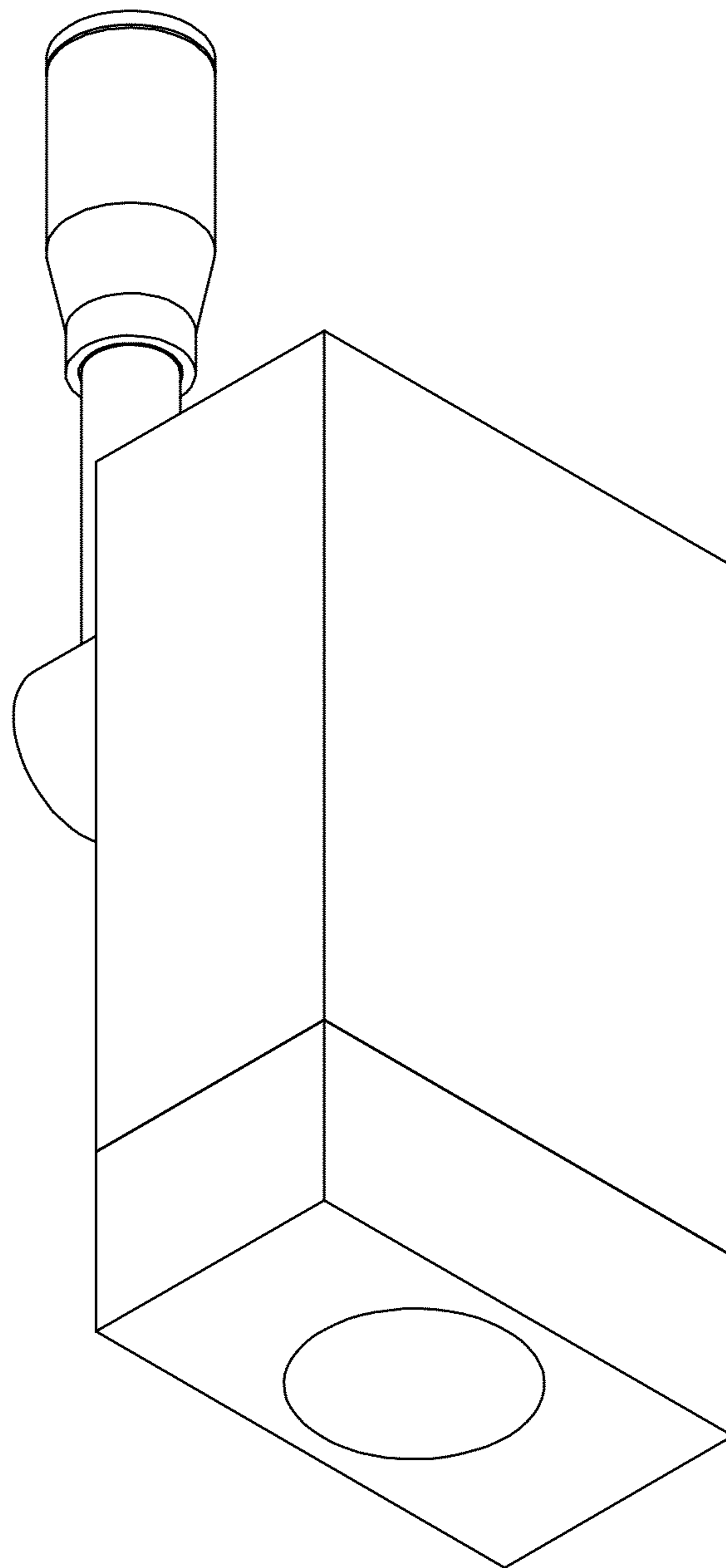




**FIG. 8**



**FIG. 9**



**FIG. 10**

UNITED STATES PATENT AND TRADEMARK OFFICE  
**CERTIFICATE OF CORRECTION**

PATENT NO. : D745,203 S  
APPLICATION NO. : 29/494350  
DATED : December 8, 2015  
INVENTOR(S) : Raymond Jepson

Page 1 of 1

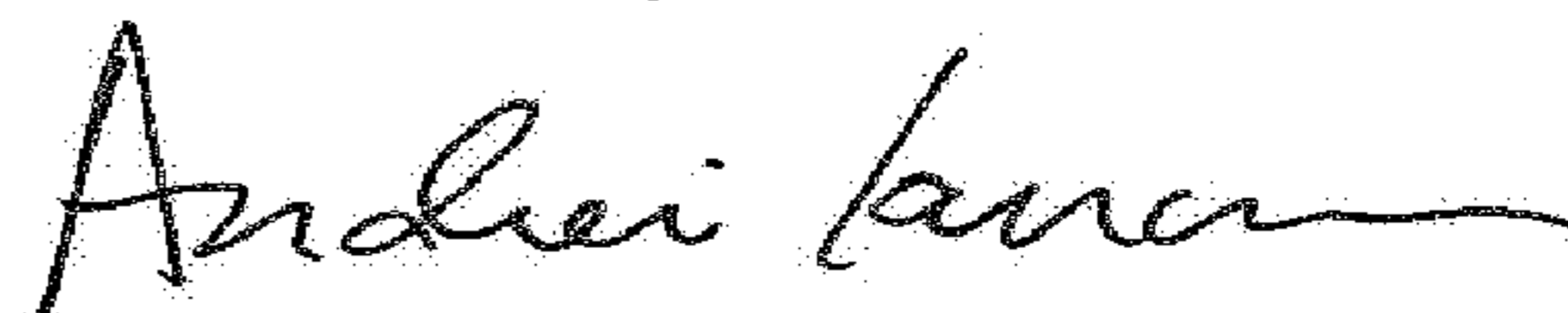
It is certified that error appears in the above-identified patent and that said Letters Patent is hereby corrected as shown below:

On the Title Page

First Column after item “(22) Filed: Jul. 18, 2013” insert:

-- (30) Foreign Application Priority Data  
May 30, 2014 (CA) 156,774 --.

Signed and Sealed this  
Fifth Day of June, 2018



Andrei Iancu  
*Director of the United States Patent and Trademark Office*