



US00D745202S

(12) **United States Design Patent**
Guercio et al.

(10) **Patent No.:** **US D745,202 S**
(45) **Date of Patent:** **** Dec. 8, 2015**

(54) **BULLET SHAPED LED FLOOD LIGHT**

(71) Applicant: **RAB Lighting Inc.**, Northvale, NJ (US)

(72) Inventors: **Vincenzo Guercio**, Wallkill, NY (US);
Jiang Hu, Ningbo (CN)

(73) Assignee: **RAB Lighting Inc.**, Northvale, NJ (US)

(**) Term: **14 Years**

(21) Appl. No.: **29/488,867**

(22) Filed: **Apr. 24, 2014**

(51) **LOC (10) Cl.** **26-03**

(52) **U.S. Cl.**
USPC **D26/63**

(58) **Field of Classification Search**

USPC D26/1, 24, 61, 63, 65, 85, 92
CPC F21V 21/14; F21V 15/01; F21V 14/02;
F21V 21/30; F21V 21/00; F21V 14/00;
F21S 8/00; F21S 8/003; F21S 8/043; F21Y
2105/001

See application file for complete search history.

(56) **References Cited**

U.S. PATENT DOCUMENTS

D152,113 S	12/1948	Mehr	
D315,964 S	4/1991	Joosten et al.	
D322,862 S	12/1991	Miller	
D370,070 S *	5/1996	Kay	D26/63
D400,997 S	11/1998	Cheun et al.	
D414,579 S *	9/1999	Denison et al.	D26/63
D417,519 S *	12/1999	Cutler	D26/63
D427,696 S *	7/2000	Scott et al.	D26/28
D435,925 S *	1/2001	Hiller et al.	D26/63
D440,330 S	4/2001	Scott et al.	
D463,048 S	9/2002	Scott et al.	

D482,476 S	11/2003	Kwong	
D507,668 S *	7/2005	Kwong	D26/63
D509,842 S	9/2005	Ou	

(Continued)

OTHER PUBLICATIONS

Philips Burst Powercore with Full Snoot Glare Shield. [Retrieved on Jul. 1, 2011]. Retrieved from the Internet: <URL: www.colorkinetics.com/support/drawings/Burst_Powercore_Full_Snoot_Glare_Shield_Landscape.pdf>.

Primary Examiner — Brian N Vinson

(74) *Attorney, Agent, or Firm* — SmithAmundsen LLC;
Kelly J. Smith; Dennis S. Schell

(57) **CLAIM**

The ornamental design for a bullet shaped LED flood light, as shown and described.

DESCRIPTION

FIG. 1 is a front perspective view of a first embodiment of the new design;

FIG. 2 is a rear perspective view of the first embodiment;

FIG. 3 is a bottom perspective view of the first embodiment;

FIG. 4 is a front view of the first embodiment;

FIG. 5 is a rear view of the first embodiment;

FIG. 6 is a top view of the first embodiment;

FIG. 7 is a bottom view of the first embodiment;

FIG. 8 is a left side view of the first embodiment;

FIG. 9 is a right side view of the first embodiment;

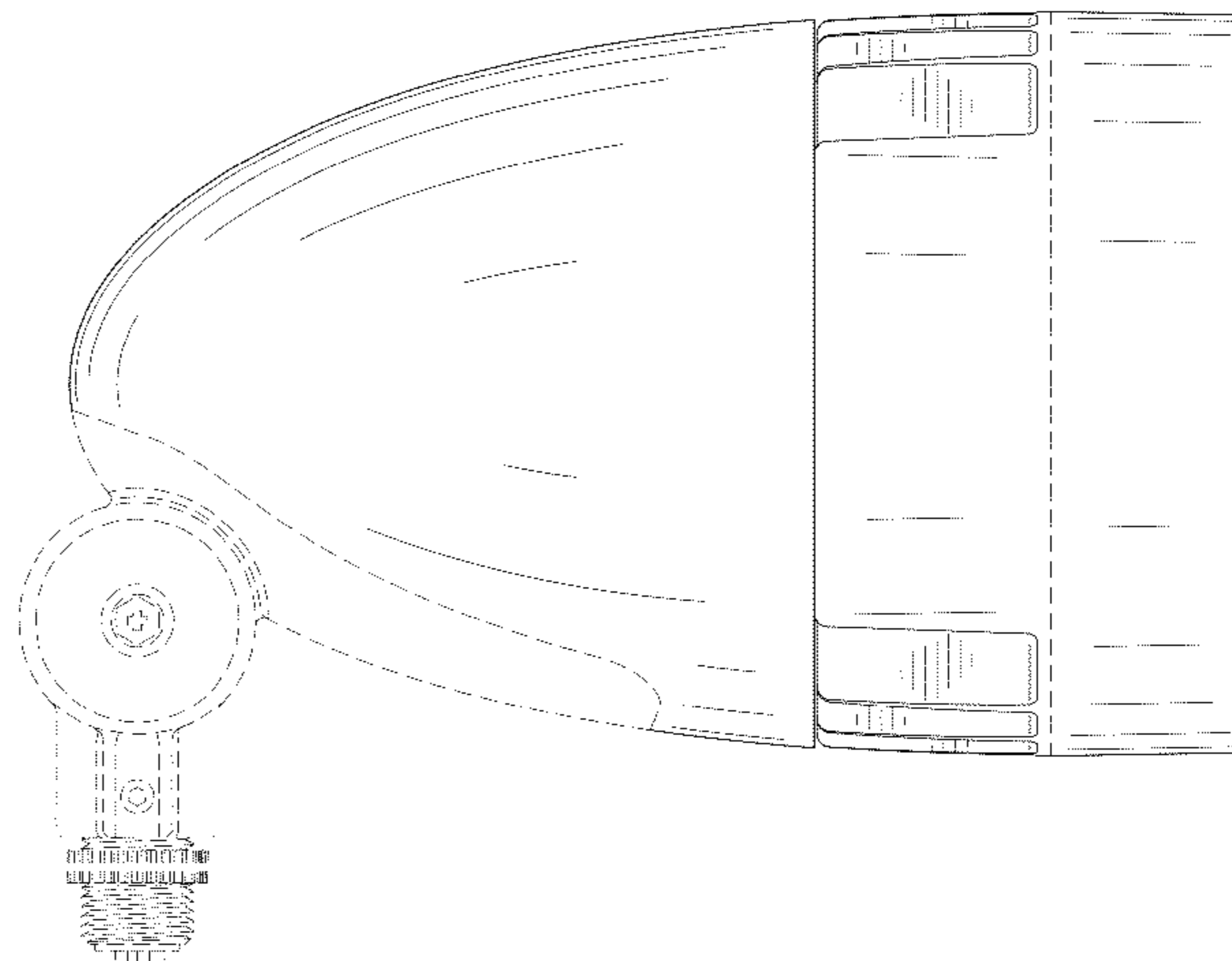
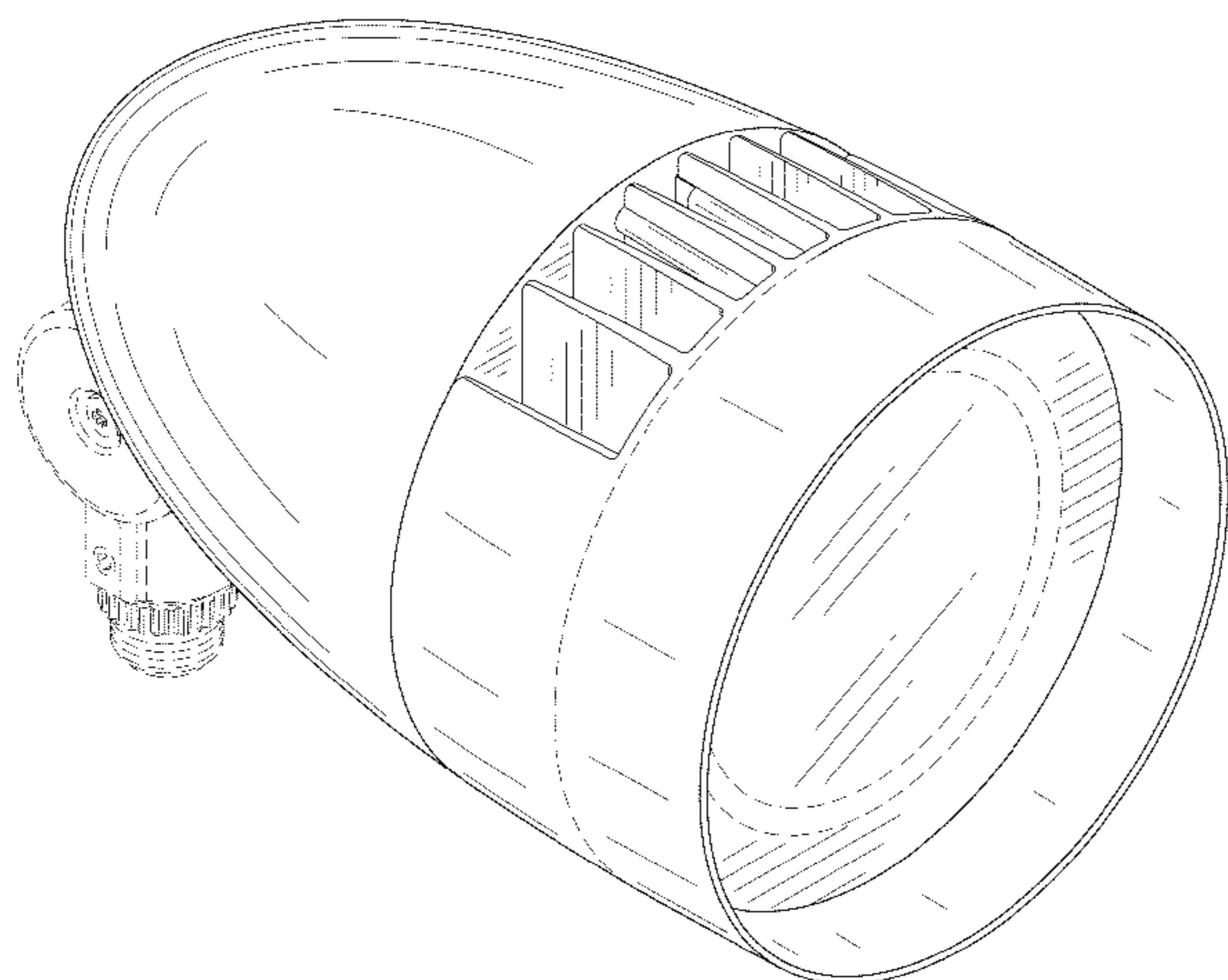
FIG. 10 is a front perspective view of a second embodiment of the new design;

FIG. 11 is a bottom perspective view of the second embodiment; and,

FIG. 12 is a front view of the second embodiment.

The broken lines shown in the drawings are for the purpose of illustrating portions of the article that form no part of the claimed design. The rear perspective view, rear view, top view, bottom view, left side view, and right side view of the second embodiment are identical to the corresponding views of the first embodiment and are therefore omitted.

1 Claim, 10 Drawing Sheets



US D745,202 S

Page 2

(56)

References Cited

U.S. PATENT DOCUMENTS

D574,532 S *	8/2008	Lee et al.	D26/63	D667,981 S *	9/2012	Connolly et al.	D26/63
D590,979 S *	4/2009	Mullen	D26/63	D676,190 S	2/2013	Guercio et al.	
D599,950 S	9/2009	Sabernig		8,540,402 B2	9/2013	Guercio et al.	
D625,871 S *	10/2010	Huang	D26/63	D698,477 S *	1/2014	Korpi	D26/63
D659,871 S *	5/2012	Lee et al.	D26/63	D723,726 S *	3/2015	Reed et al.	D26/63
				2013/0194808 A1	8/2013	Guercio et al.	
				2013/0242574 A1	9/2013	Guercio et al.	

* cited by examiner

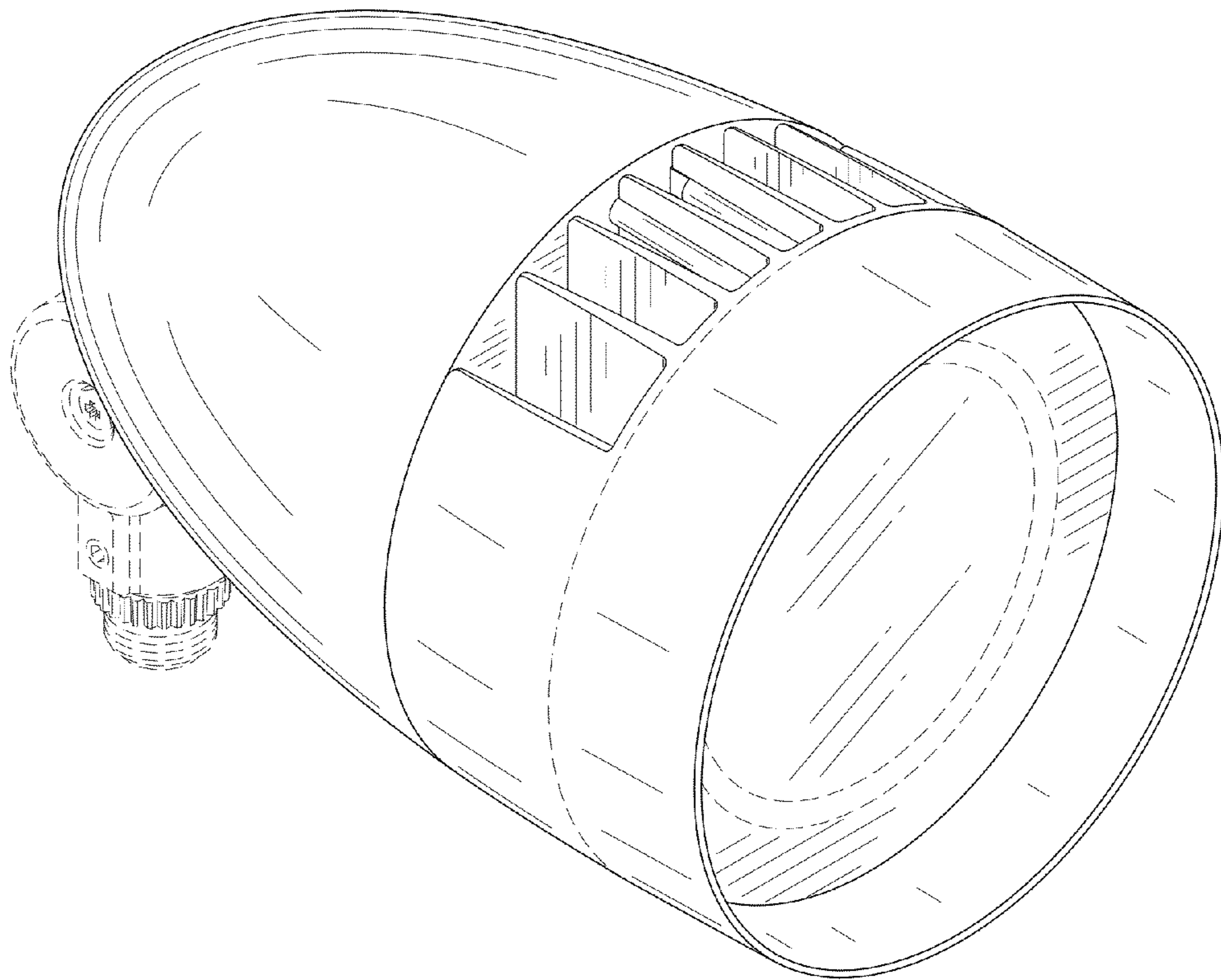


FIG. 1

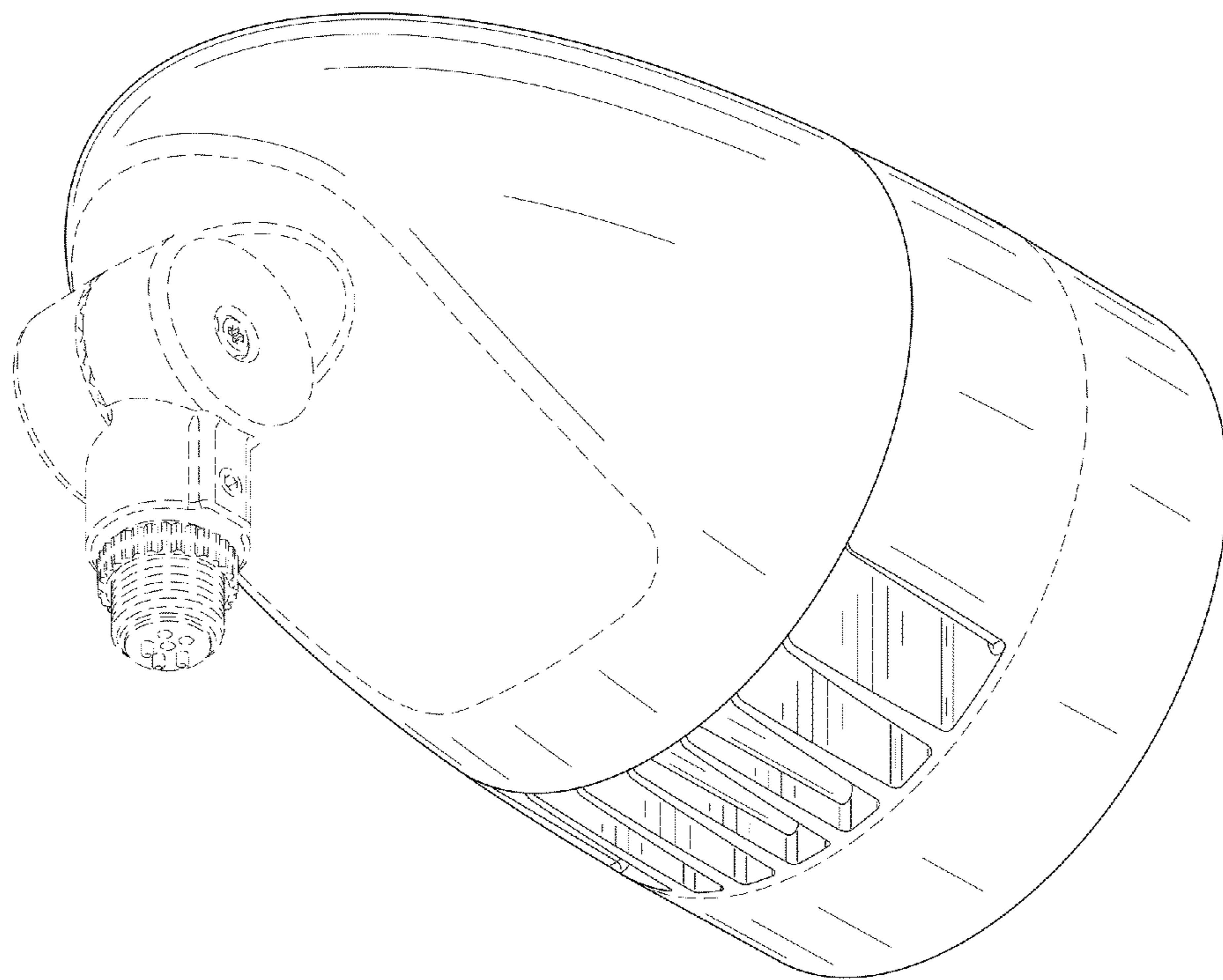


FIG. 2

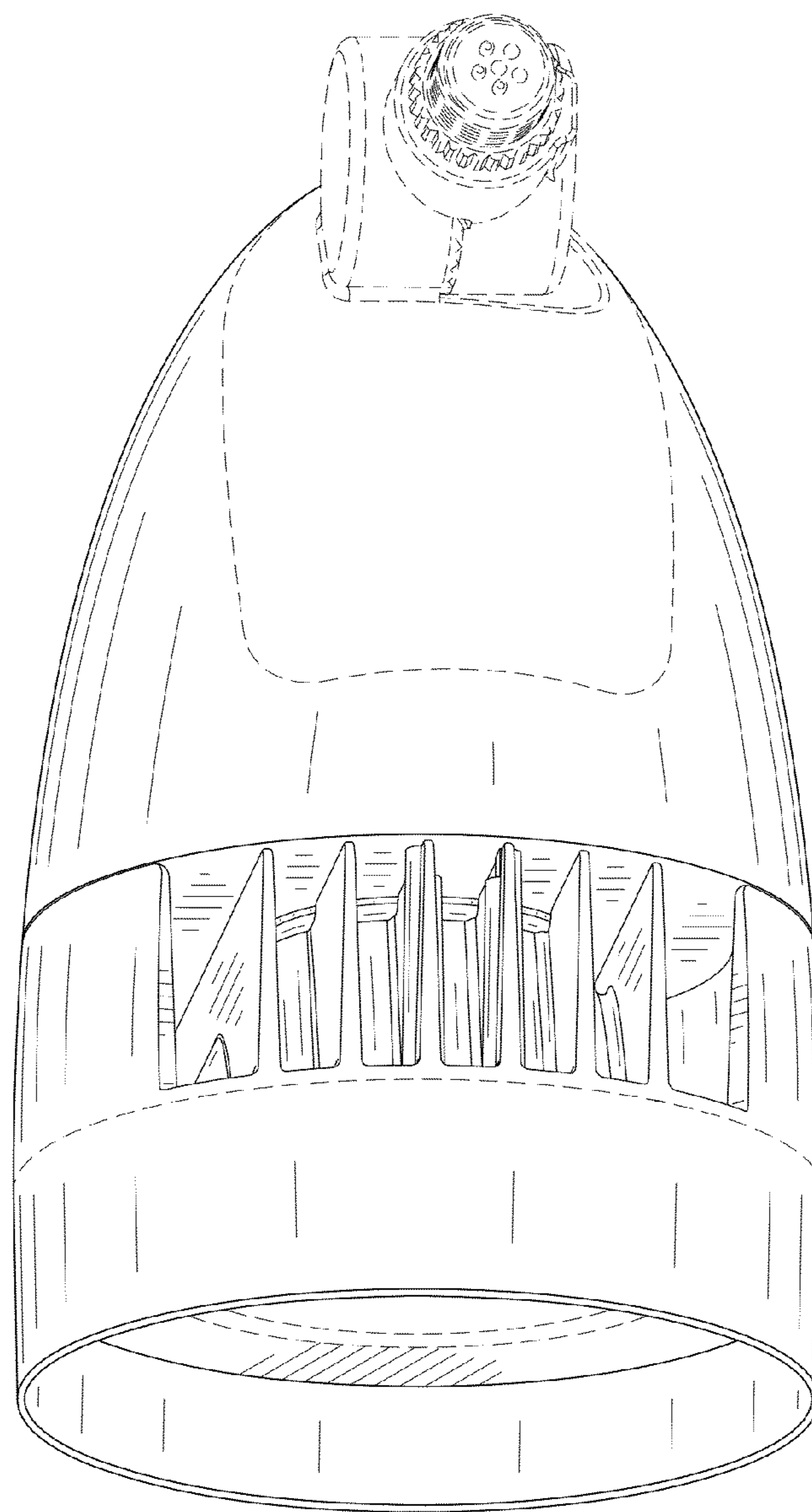


FIG. 3

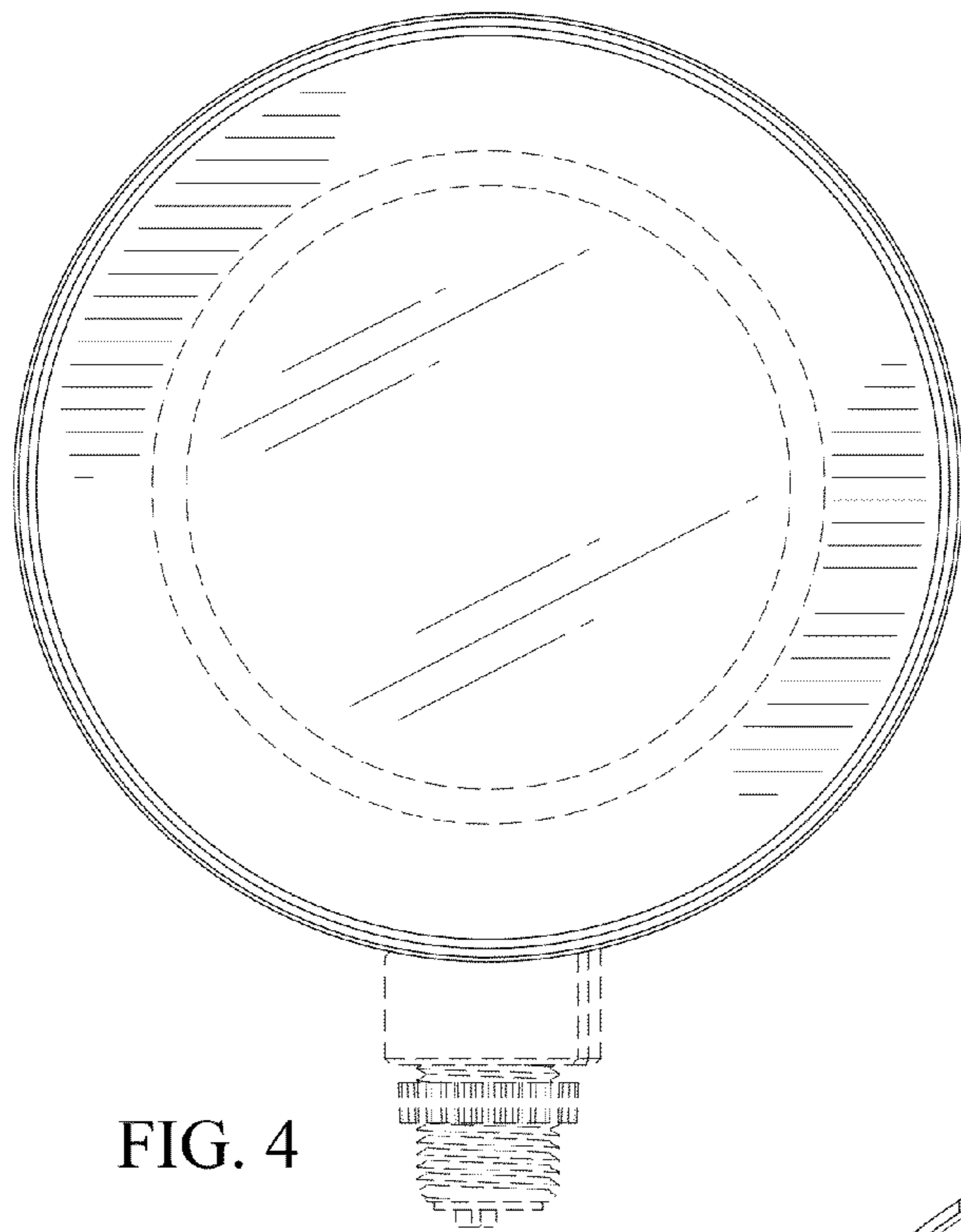


FIG. 4

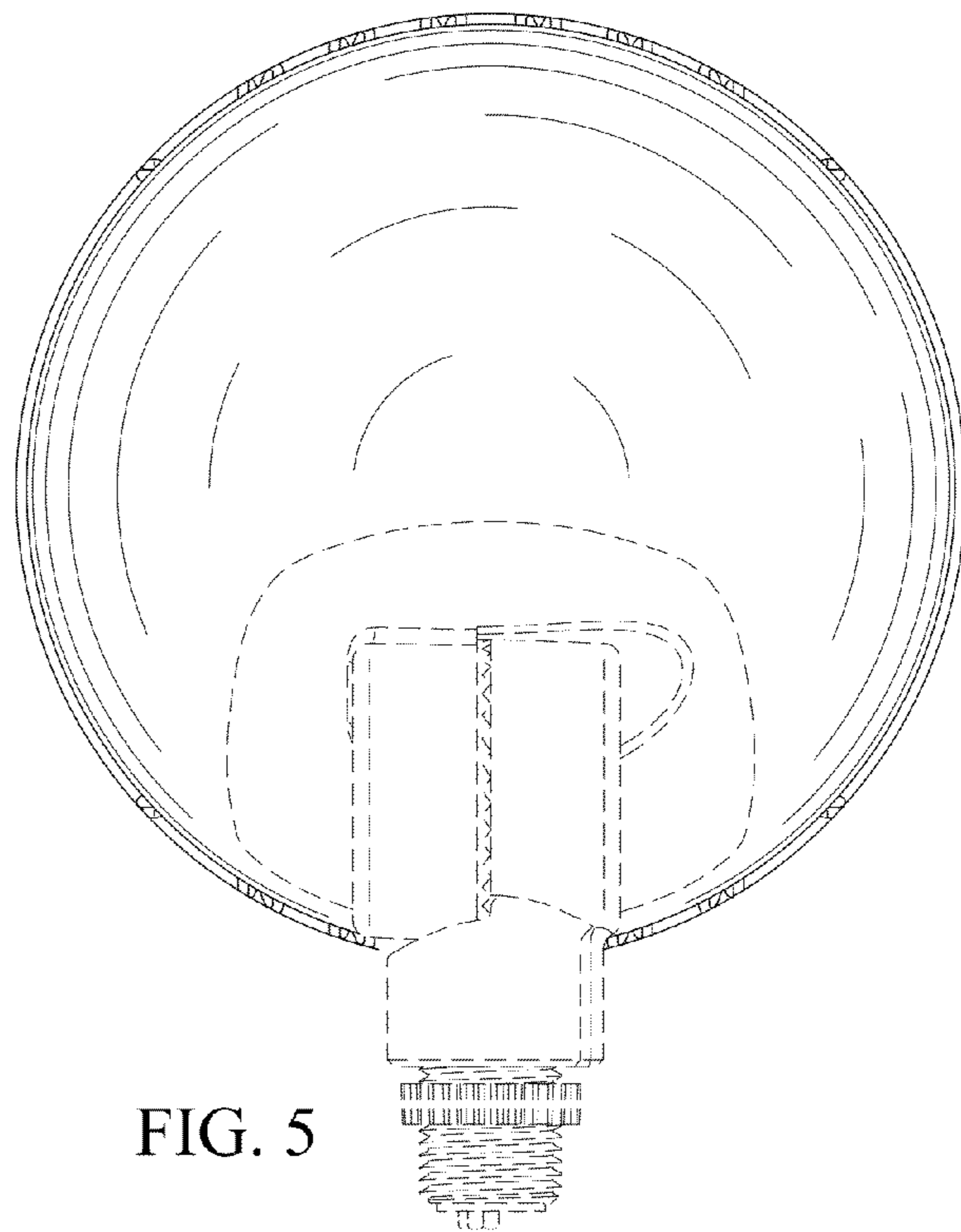


FIG. 5

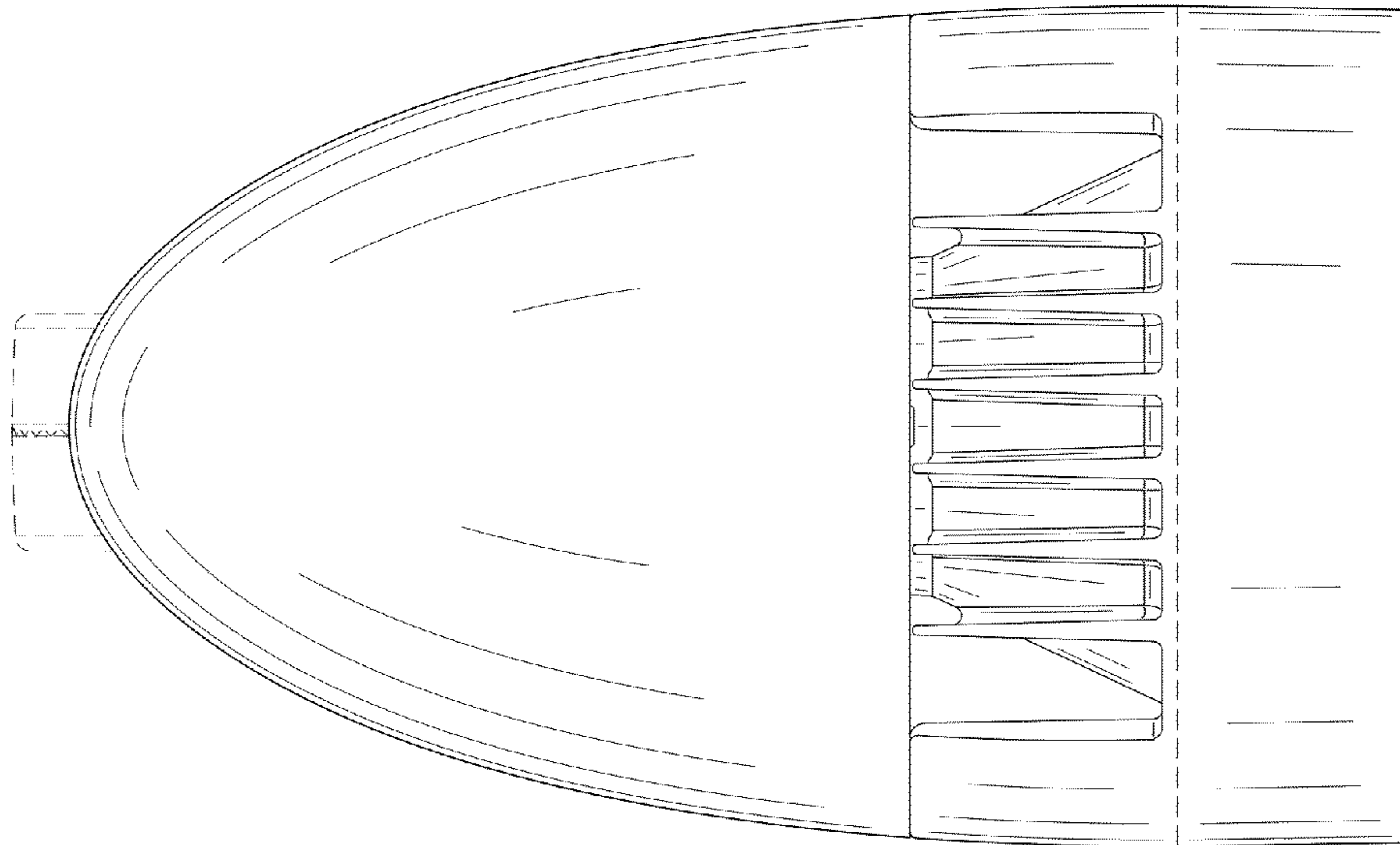


FIG. 6

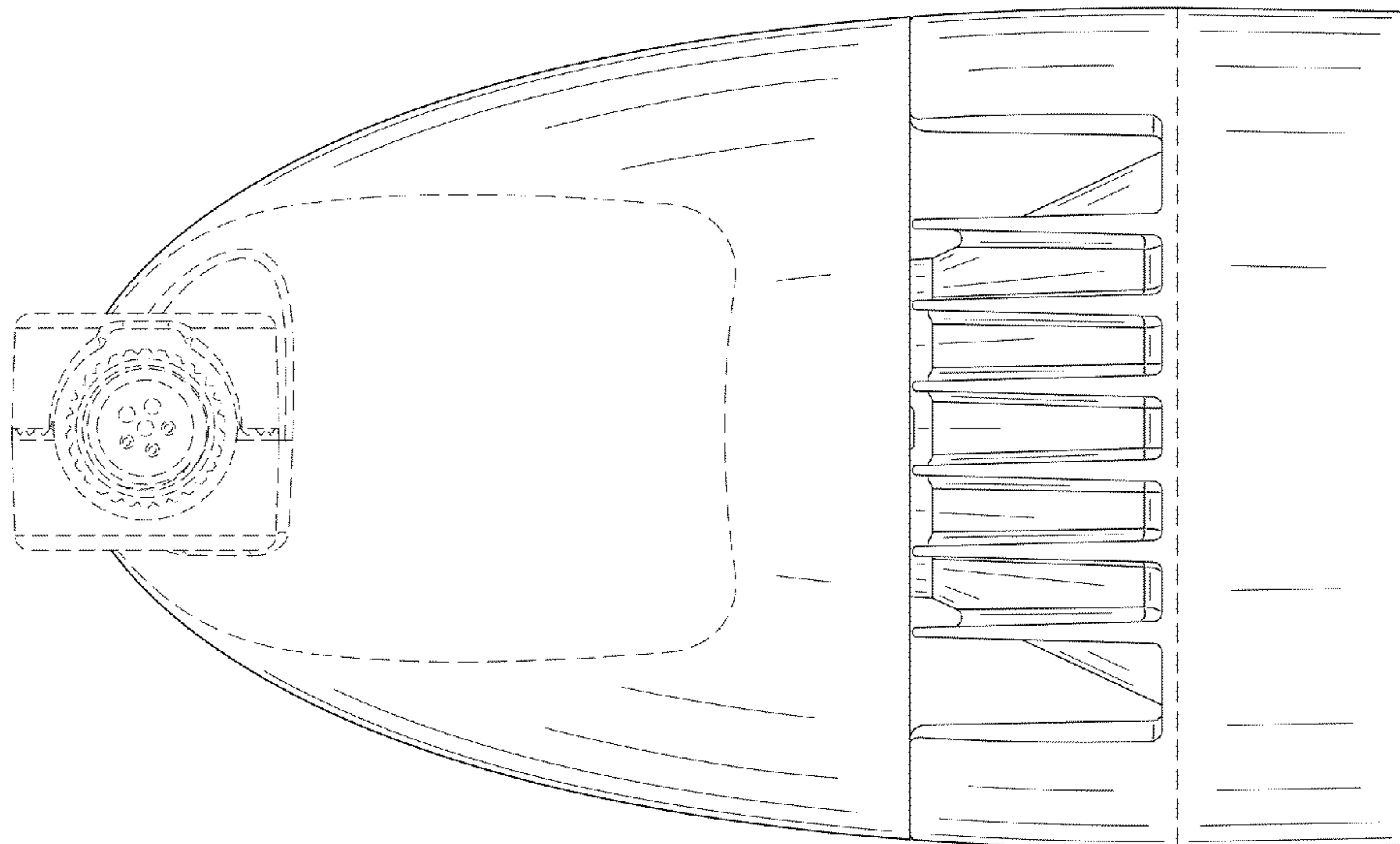


FIG. 7

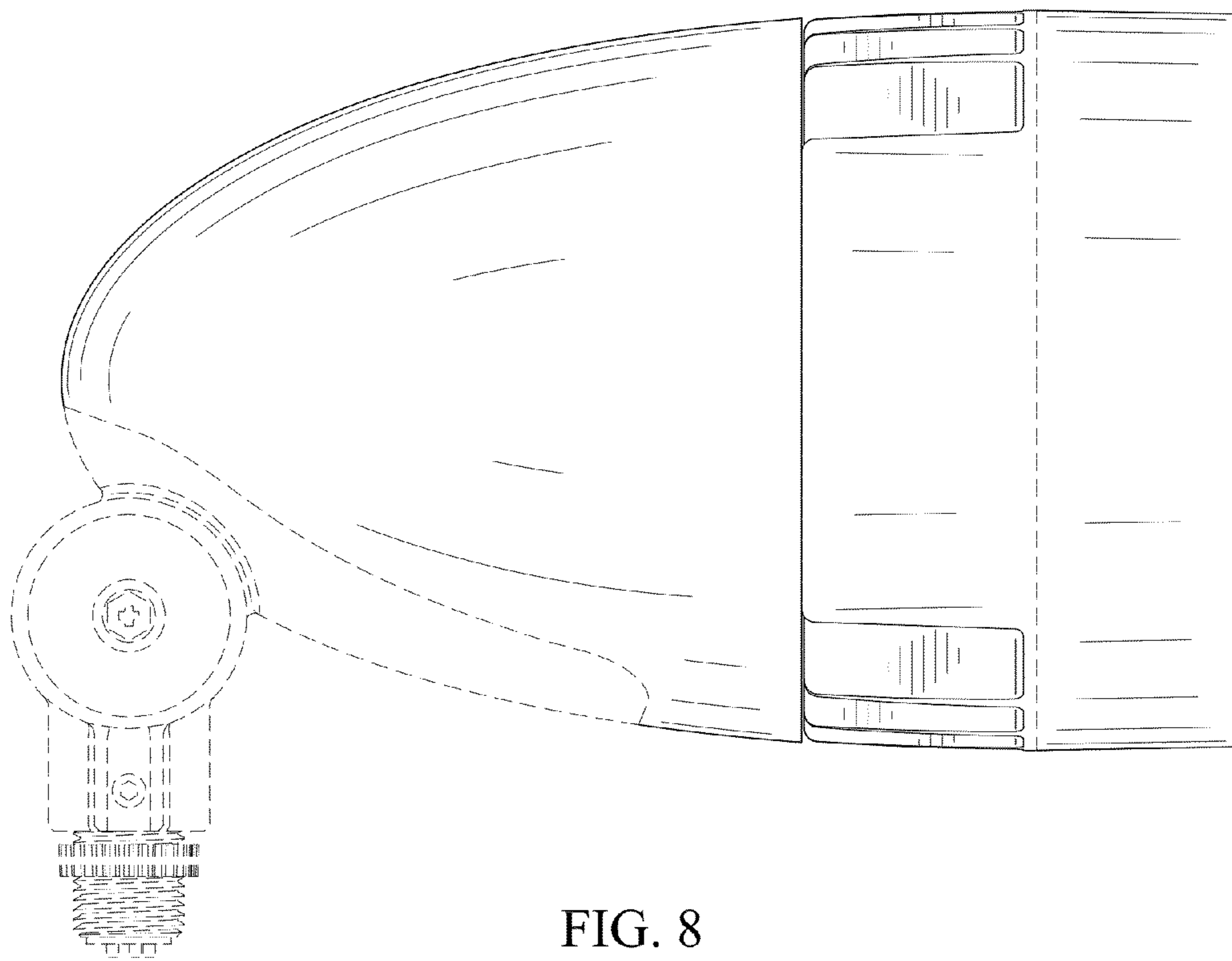


FIG. 8

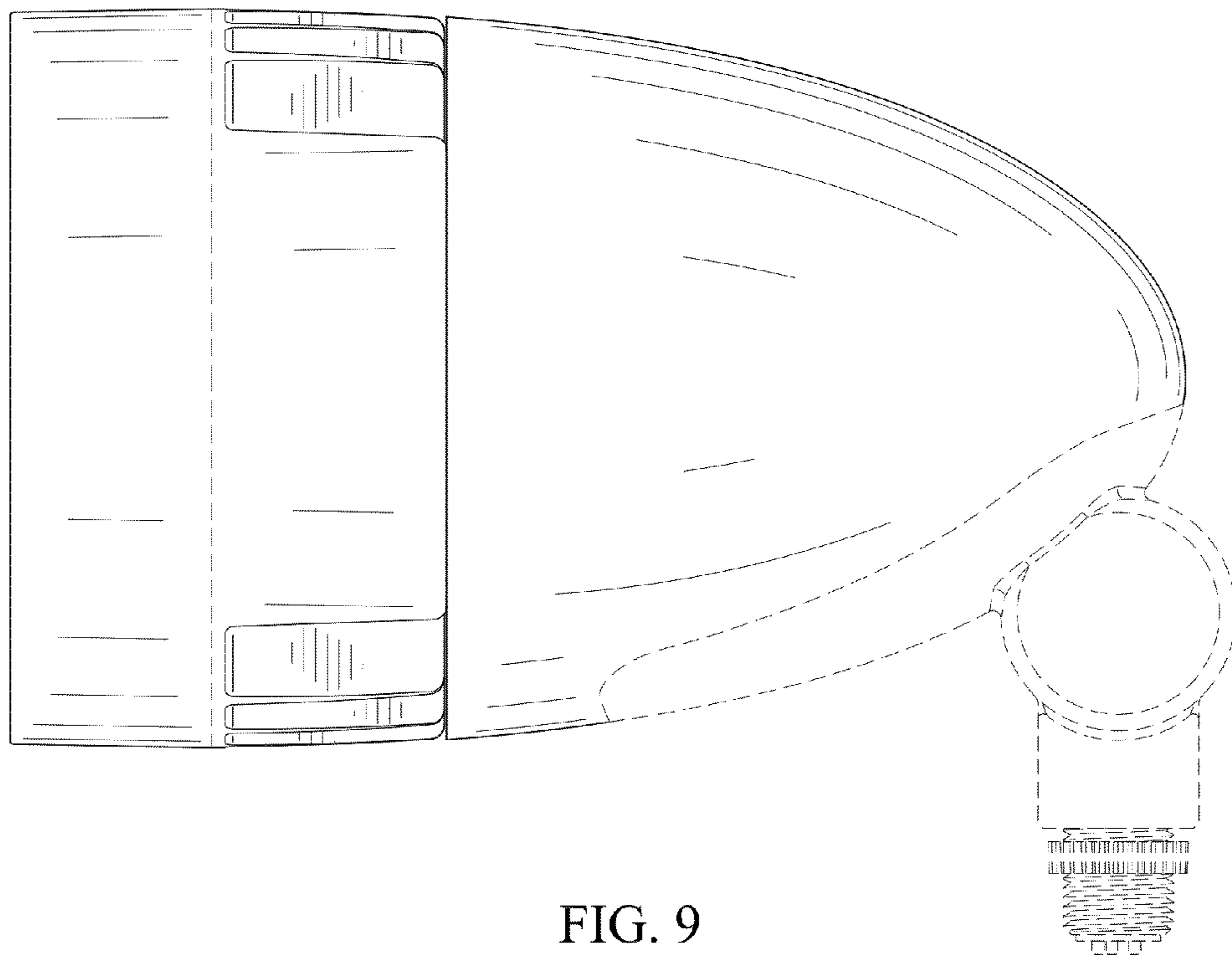


FIG. 9

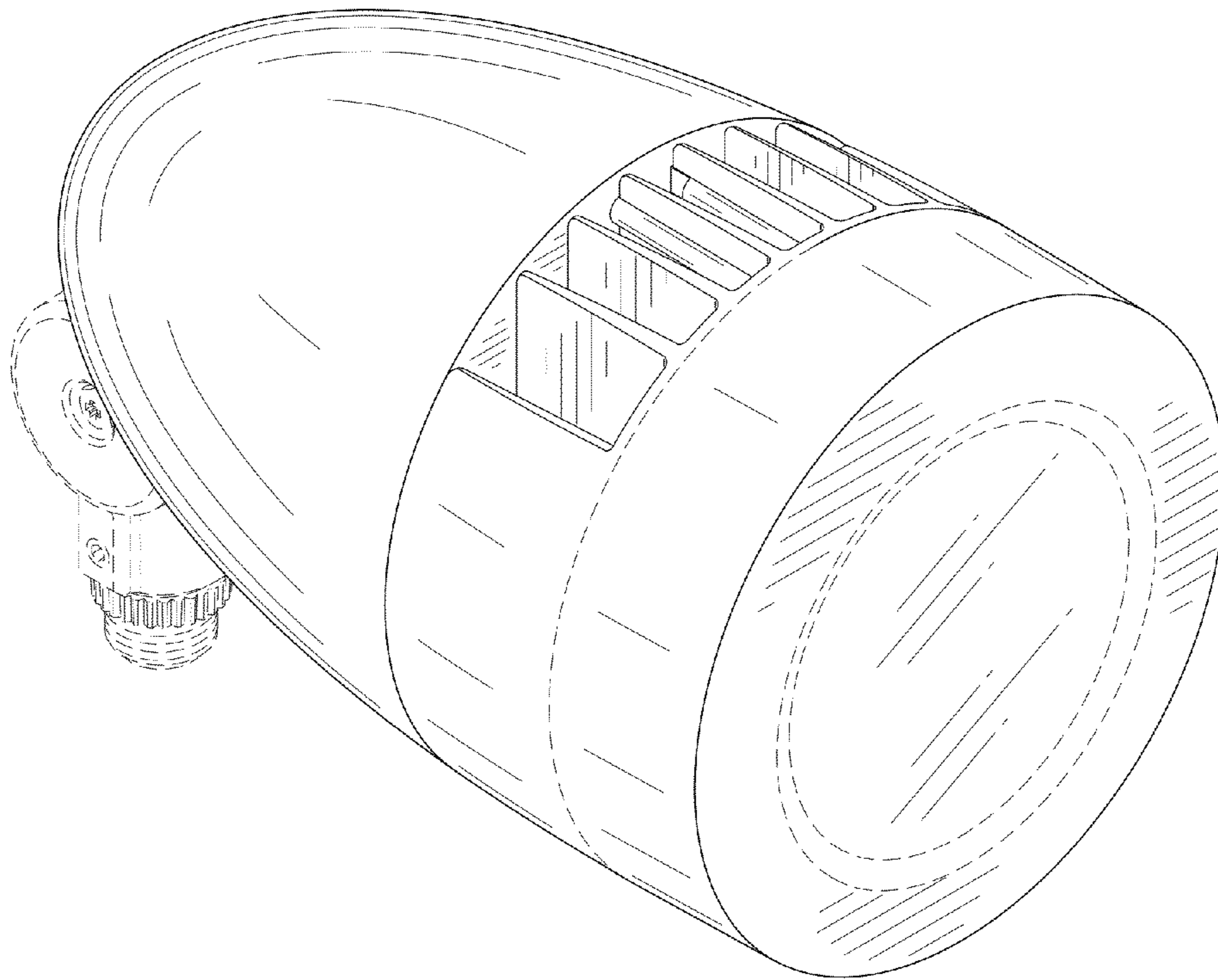


FIG. 10

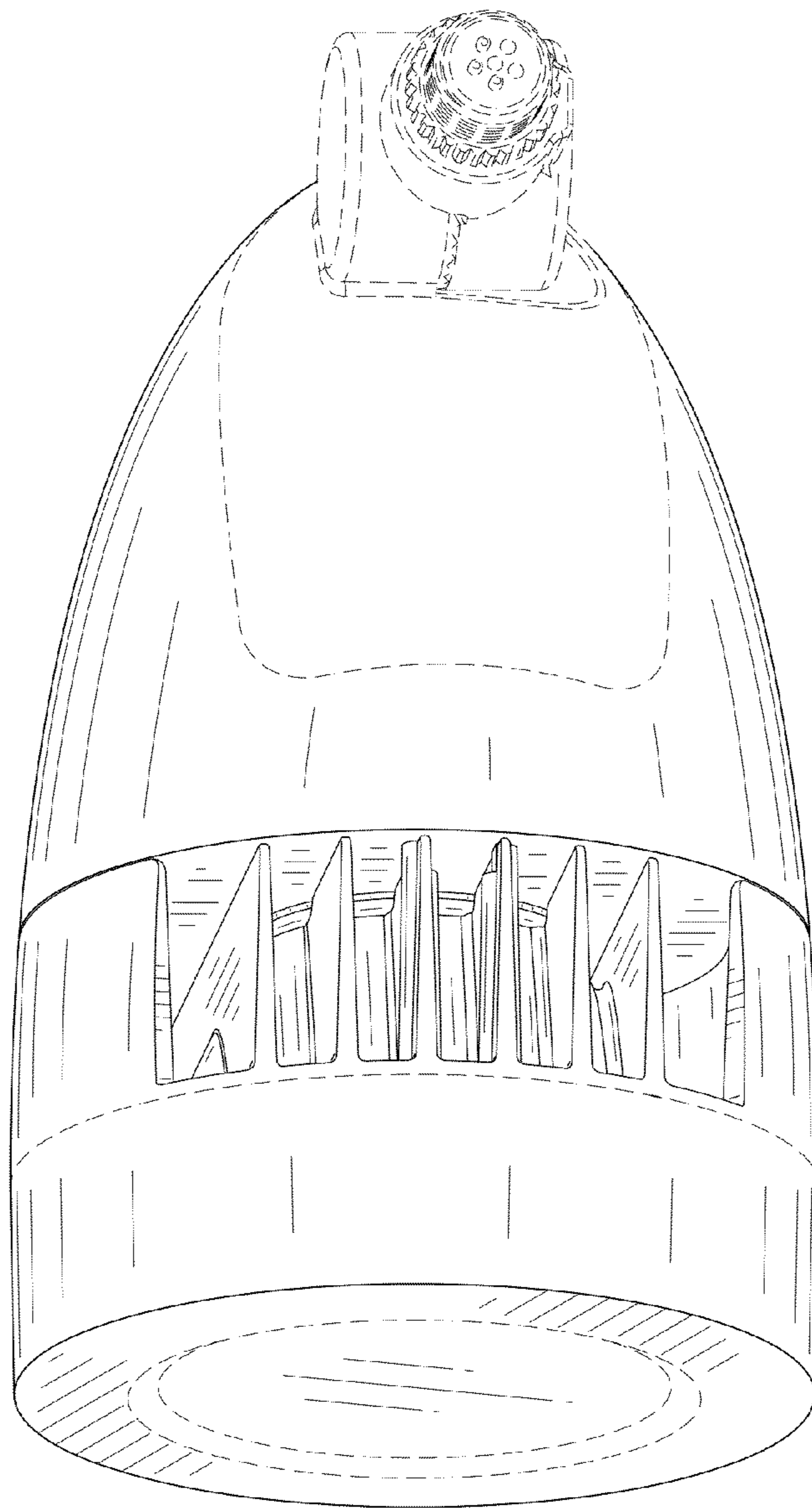


FIG. 11

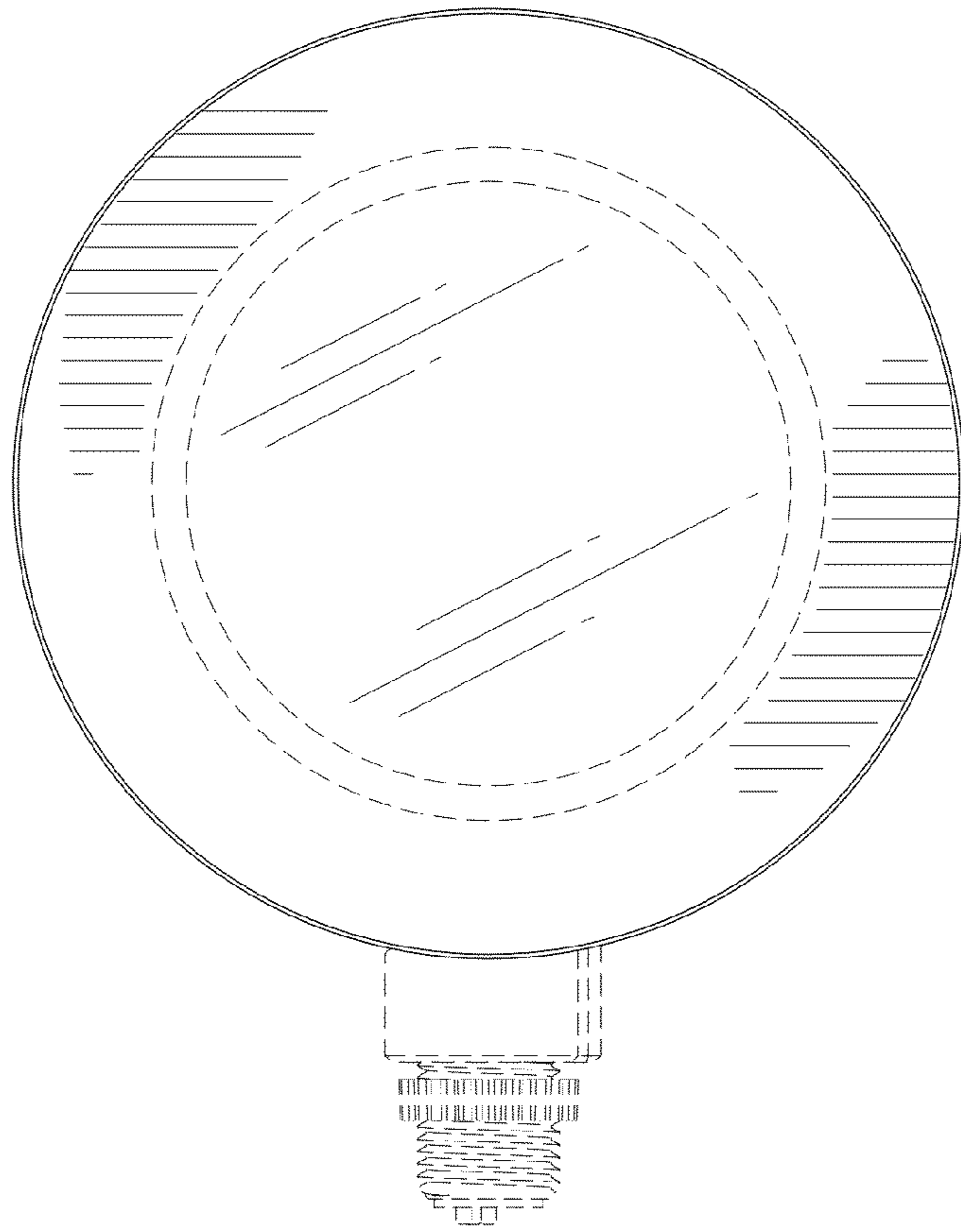


FIG. 12