



US00D745201S

(12) **United States Design Patent**
Lee

(10) **Patent No.:** **US D745,201 S**
(45) **Date of Patent:** **** Dec. 8, 2015**

(54) **LIGHT**

- (71) Applicant: **HeathCo, LLC**, Bowling Green, KY (US)
- (72) Inventor: **Jonathan Arnold Lee**, LaGrange, IL (US)
- (73) Assignee: **Heathco, LLC**, Bowling Green, KY (US)
- (**) Term: **14 Years**

(21) Appl. No.: **29/487,763**

(22) Filed: **Apr. 11, 2014**

(51) **LOC (10) Cl.** **26-05**

(52) **U.S. Cl.**
USPC **D26/63**

(58) **Field of Classification Search**

USPC D26/24, 51, 61, 63, 65, 72, 80
 CPC F21S 8/04; F21S 8/00; F21V 21/00;
 F21V 17/02; F21V 14/02; F21V 21/30;
 F21V 21/14; F21V 21/26; F21W 2131/10
 See application file for complete search history.

(56) **References Cited**

U.S. PATENT DOCUMENTS

5,335,159	A *	8/1994	Chen et al.	362/421
5,649,761	A *	7/1997	Sandell et al.	362/276
D517,714	S *	3/2006	Monroe et al.	D26/65
D628,329	S *	11/2010	Tuli	D26/63

(Continued)

OTHER PUBLICATIONS

HeathCo Pricing Sheet for Lowe's, 2013 LED Line-Up, Nov. 5, 2012, p. 23, redacted.

Primary Examiner — Brian N Vinson

(74) *Attorney, Agent, or Firm* — Fitch Even Tabin & Flannery LLP

(57) **CLAIM**

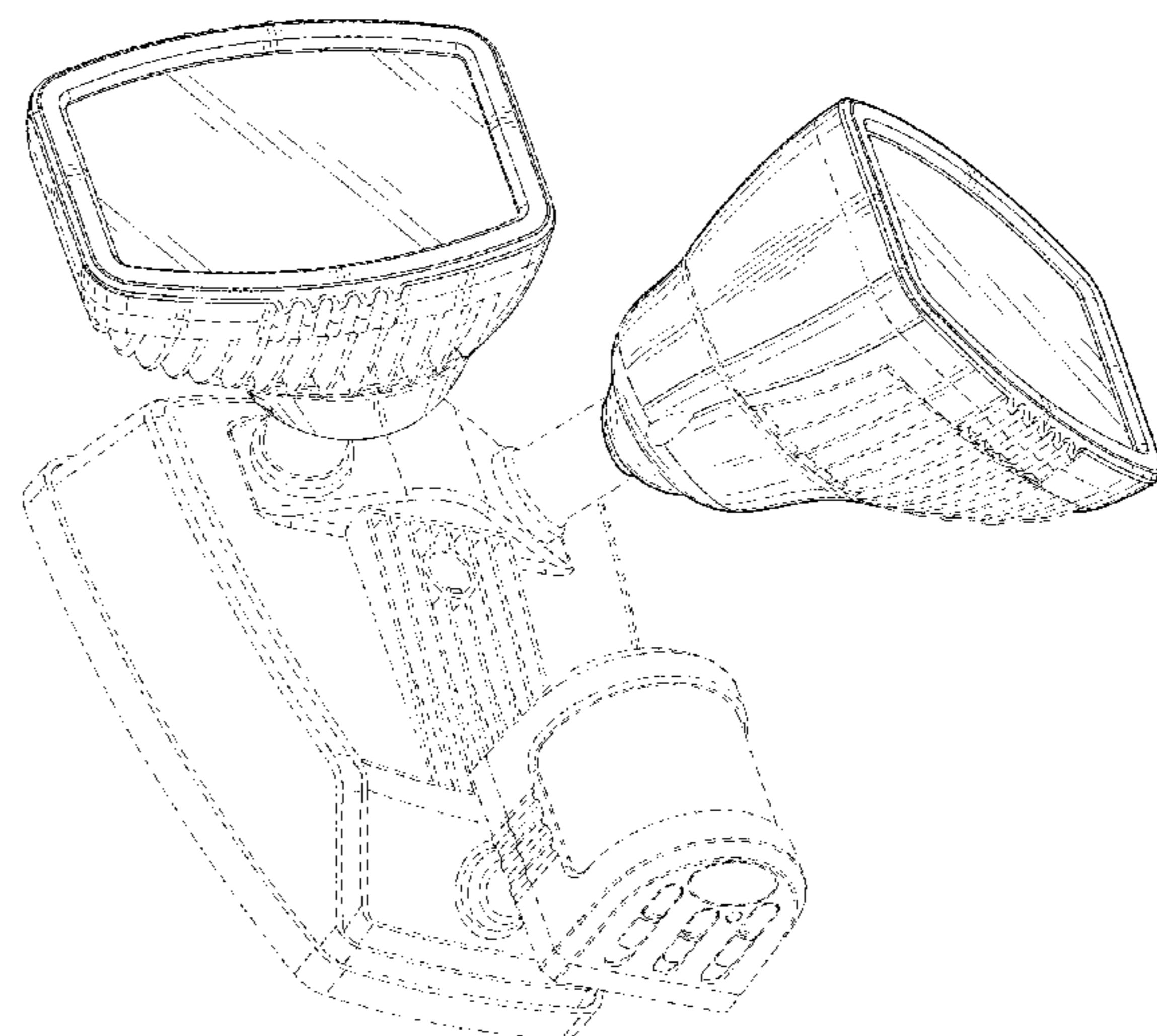
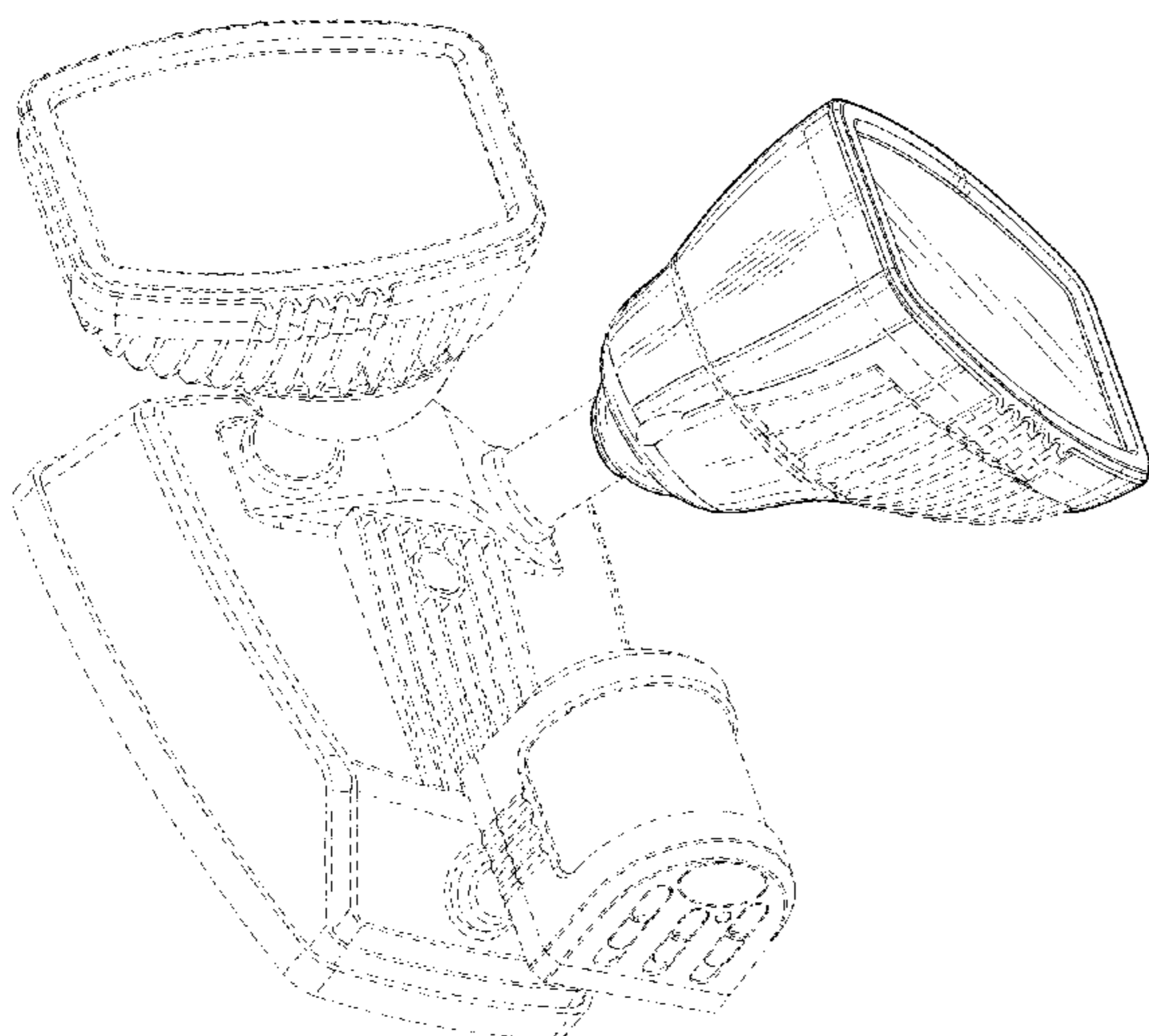
I claim the ornamental design for a light, as shown and described.

DESCRIPTION

FIG. 1 is a bottom perspective view of a first embodiment of my new design comprising a light;
 FIG. 2 is a rear perspective view of the light of FIG. 1;
 FIG. 3 is a bottom view of the light of FIG. 1;
 FIG. 4 is a top view of the light of FIG. 1;
 FIG. 5 is a front view of the light of FIG. 1;
 FIG. 6 is a rear view of the light of FIG. 1;
 FIG. 7 is a left side view of the light of FIG. 1;
 FIG. 8 is a right side view of the light of FIG. 1;
 FIG. 9 is a bottom perspective view of a second embodiment of my new design comprising a light;
 FIG. 10 is a rear perspective view of the light of FIG. 9;
 FIG. 11 is a bottom view of the light of FIG. 9;
 FIG. 12 is a top view of the light of FIG. 9;
 FIG. 13 is a front view of the light of FIGS. 9;
 FIG. 14 is a rear view of the light of FIG. 9;
 FIG. 15 is a left side view of the light of FIG. 9; and,
 FIG. 16 is a right side view of the light of FIG. 9.

The broken lines shown in the drawings are for illustrative purposes only and form no part of the claimed design.

1 Claim, 14 Drawing Sheets



US D745,201 S

Page 2

(56)

References Cited

U.S. PATENT DOCUMENTS

D713,581 S * 9/2014 Chen D26/63
D713,582 S * 9/2014 Liang D26/63

D713,579 S * 9/2014 Chen D26/63 * cited by examiner

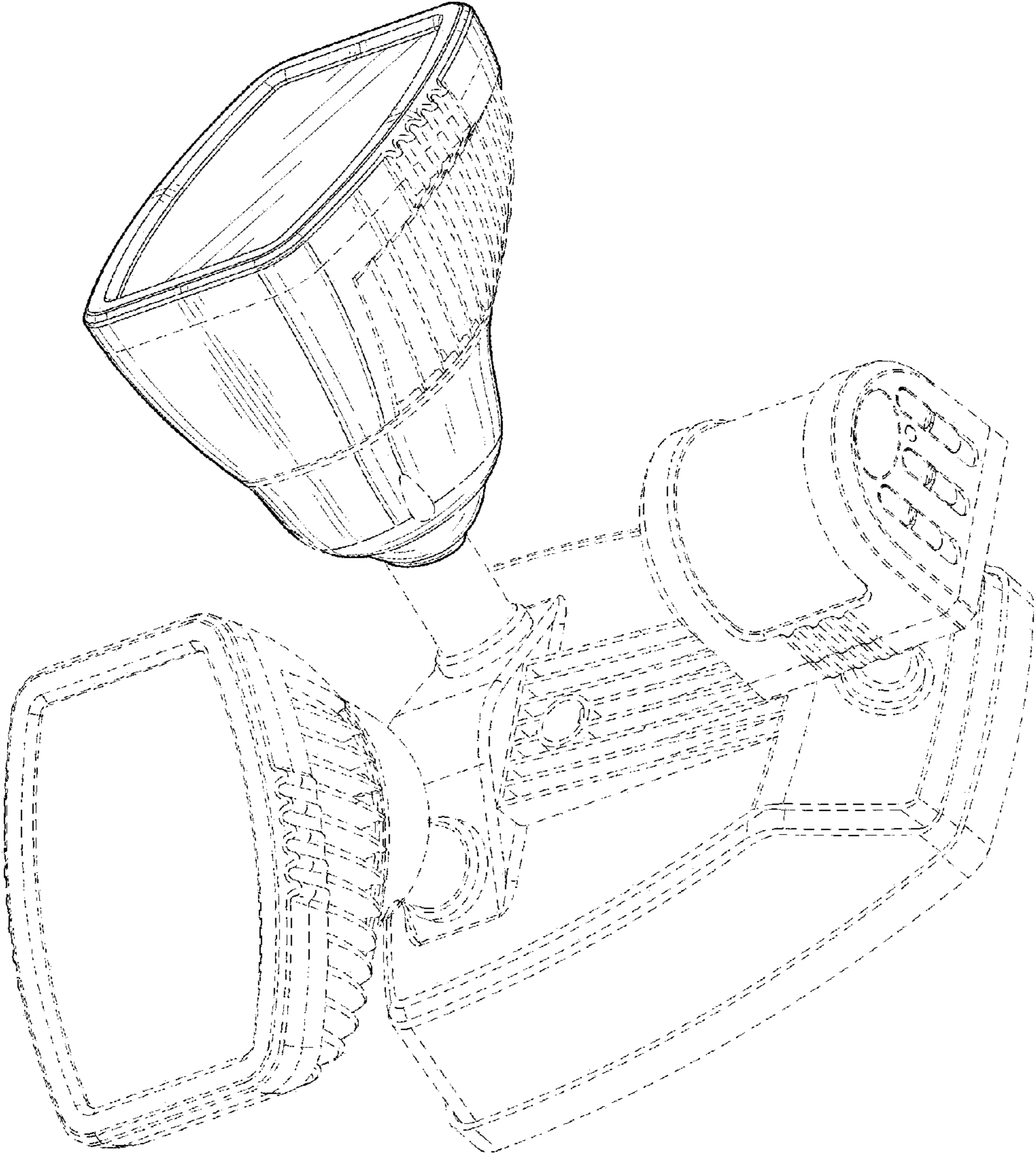


FIG. 1

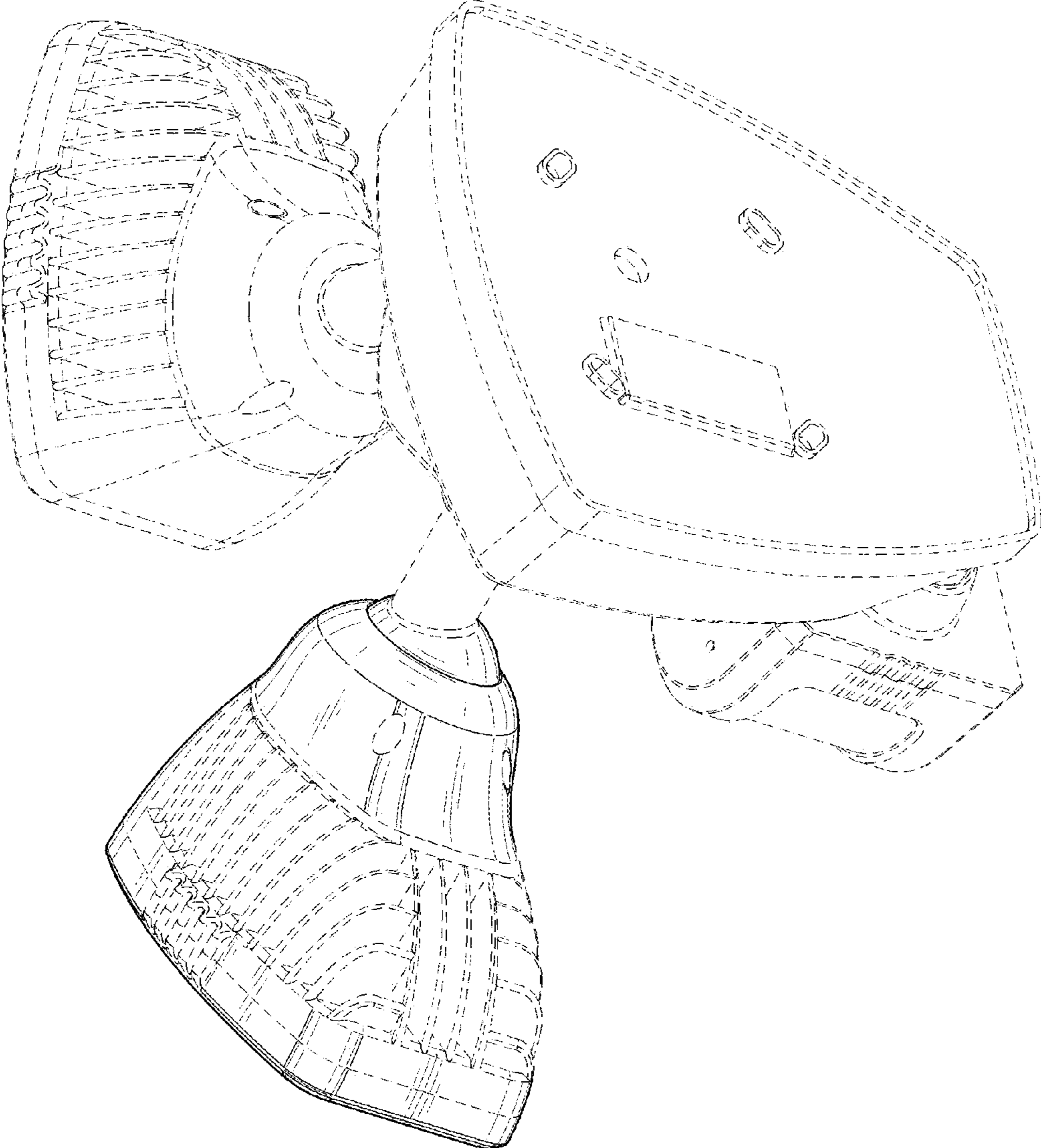


FIG. 2

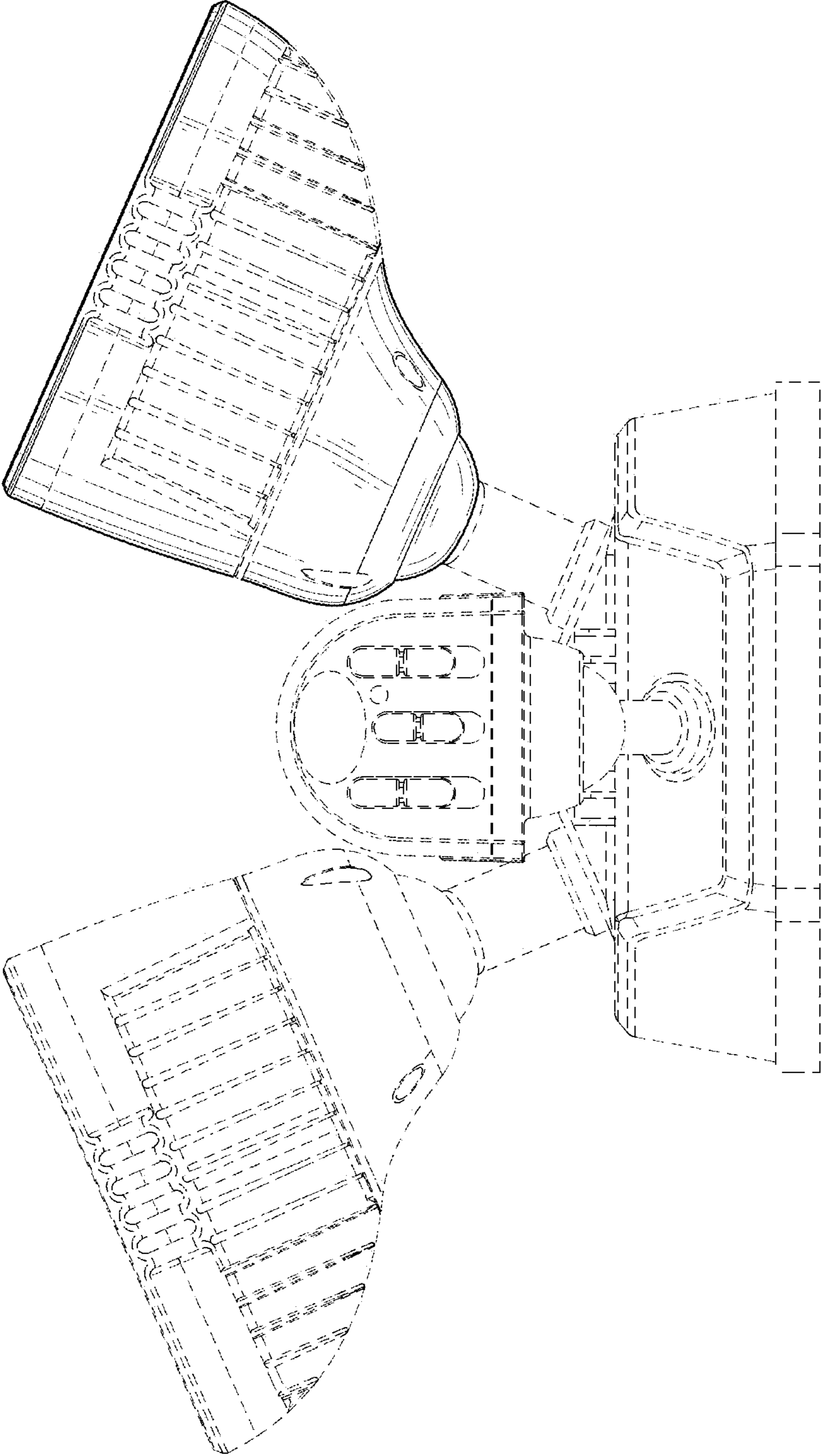


FIG. 3

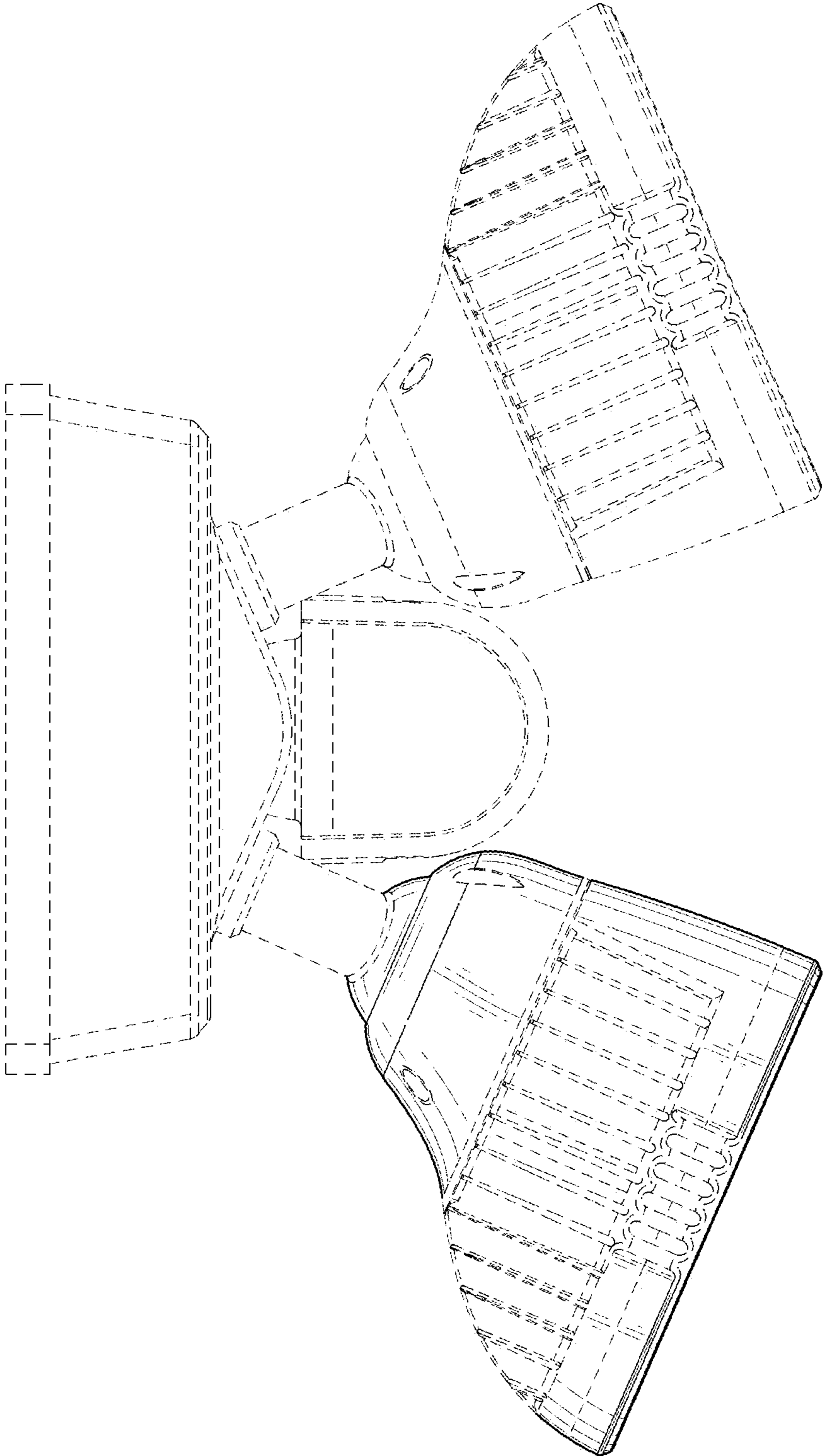


FIG. 4

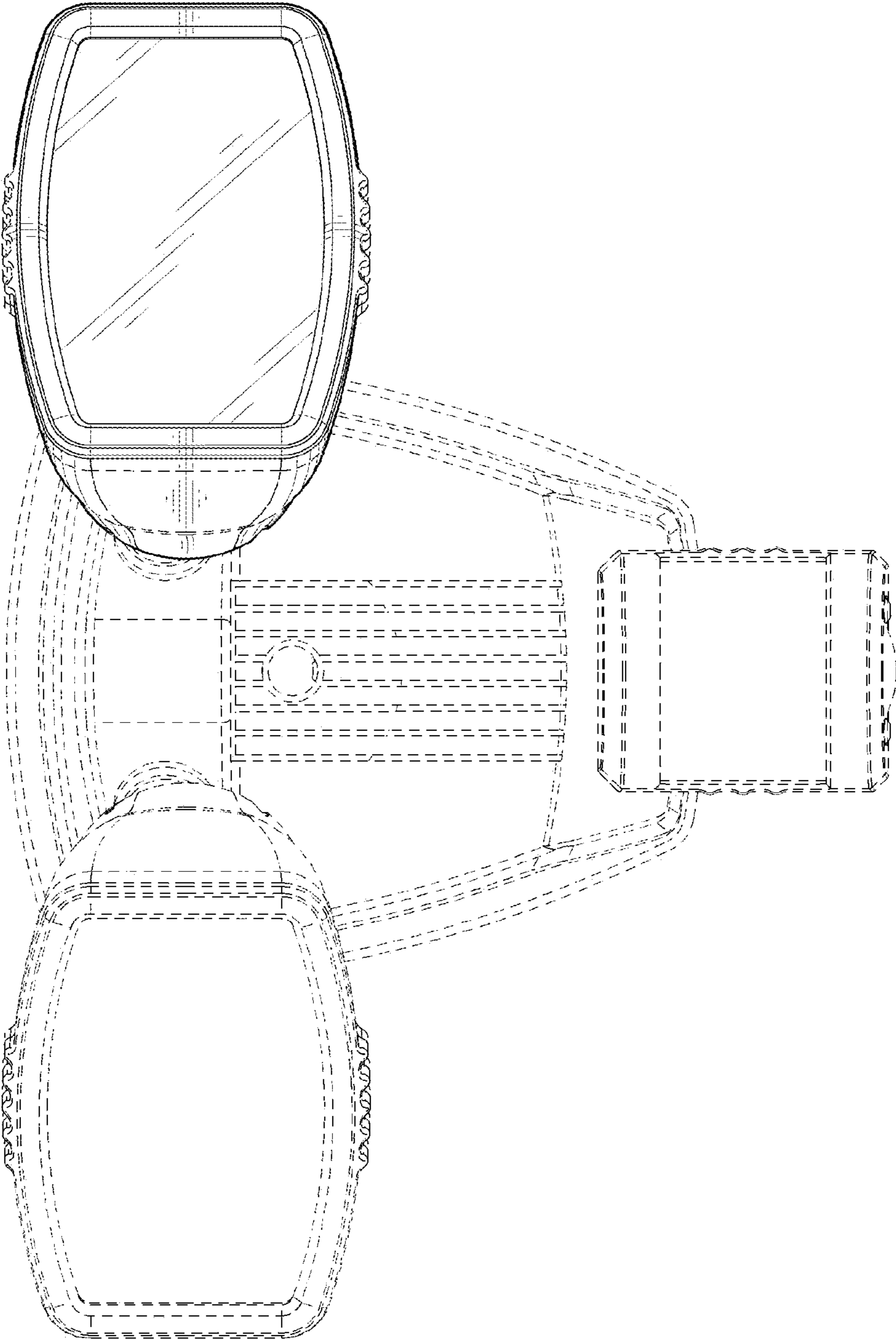


FIG. 5

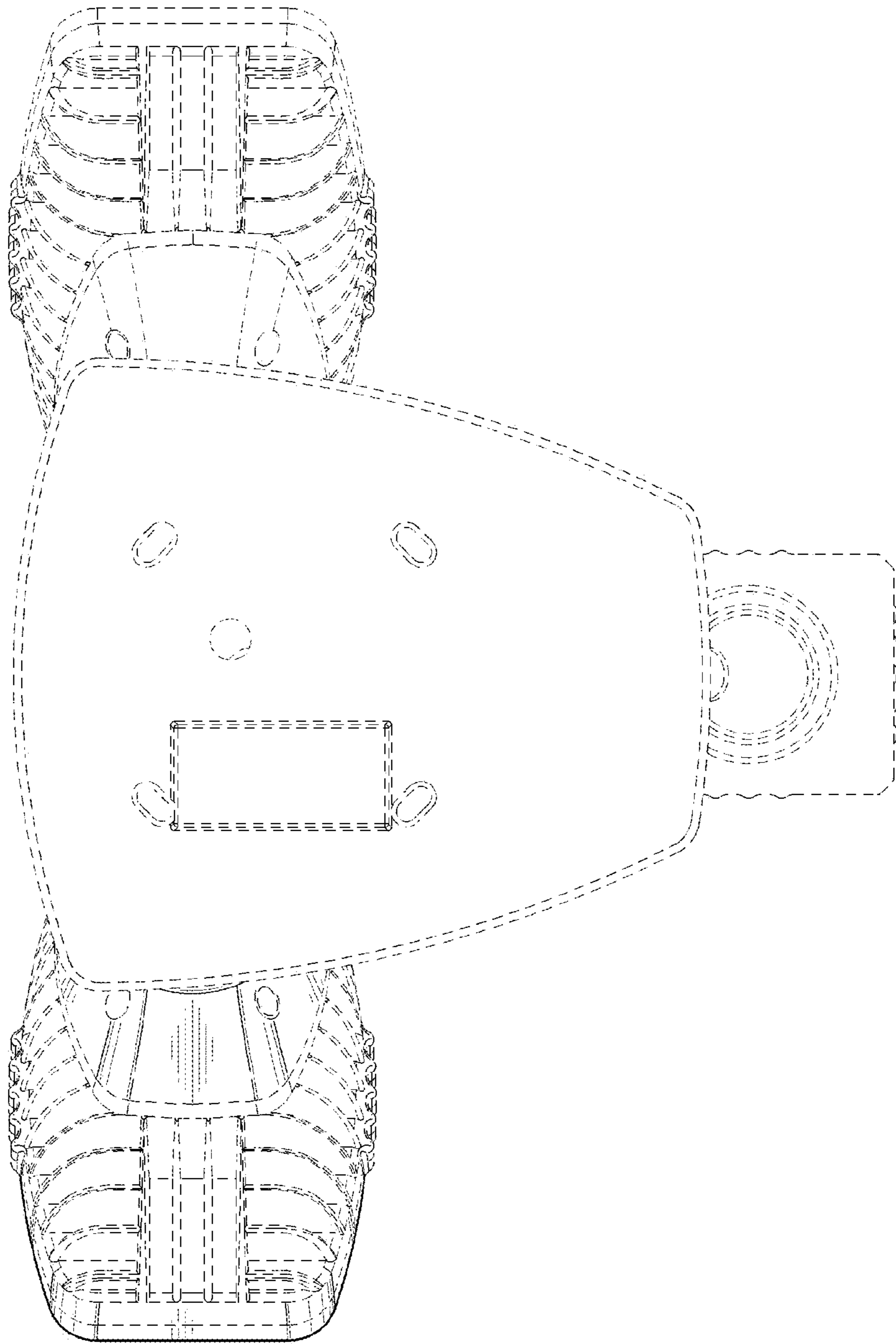


FIG. 6

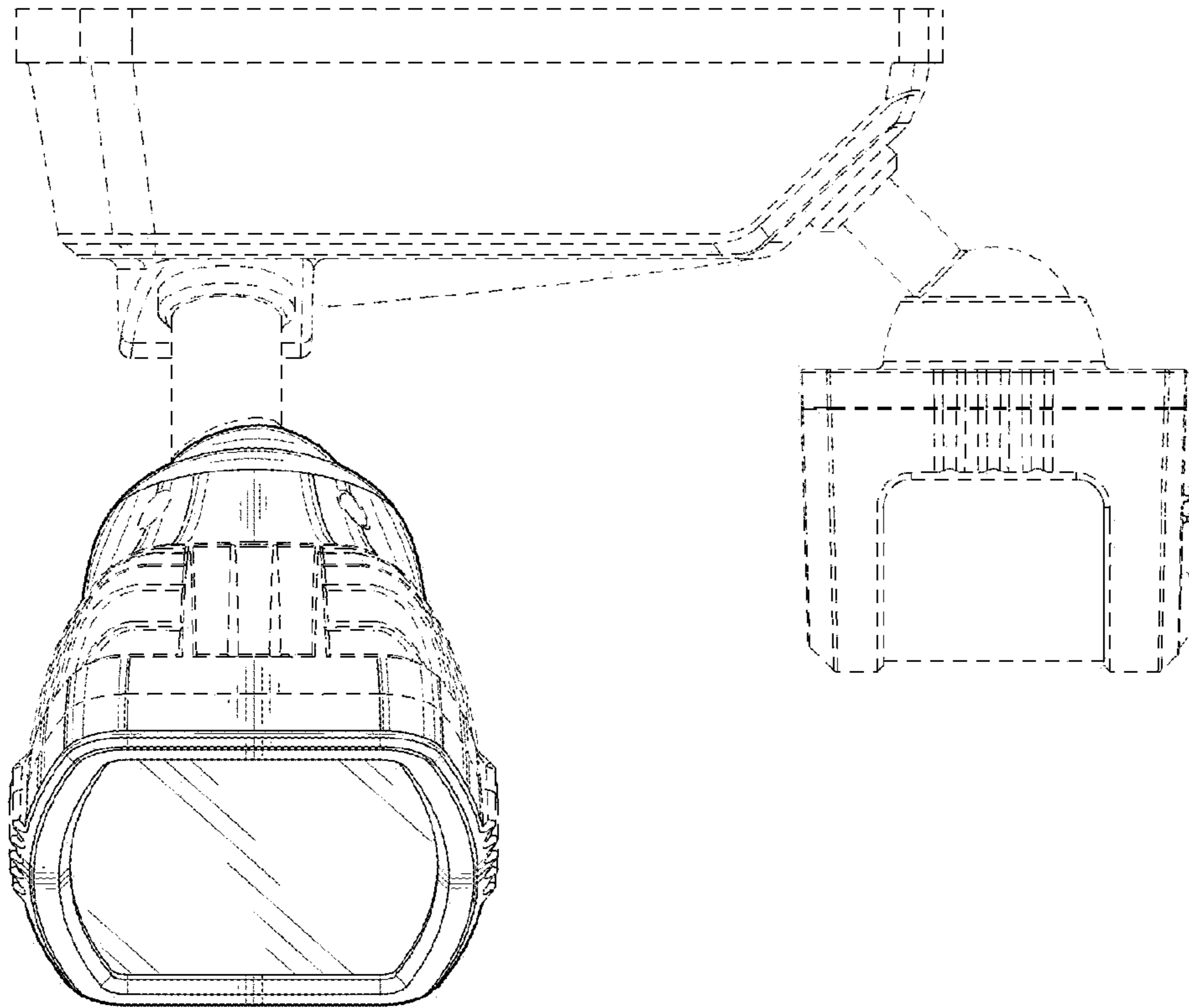


FIG. 8

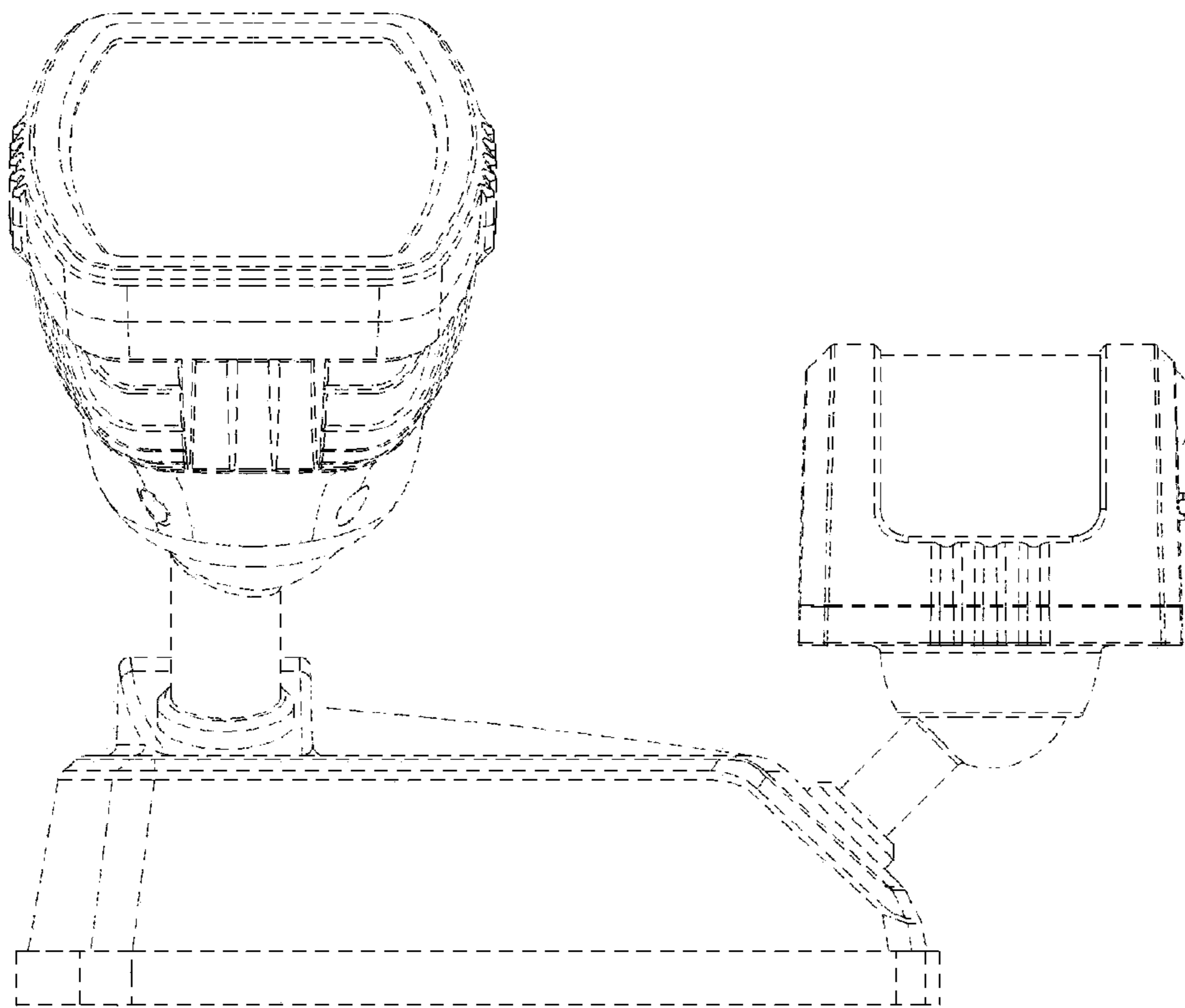


FIG. 7

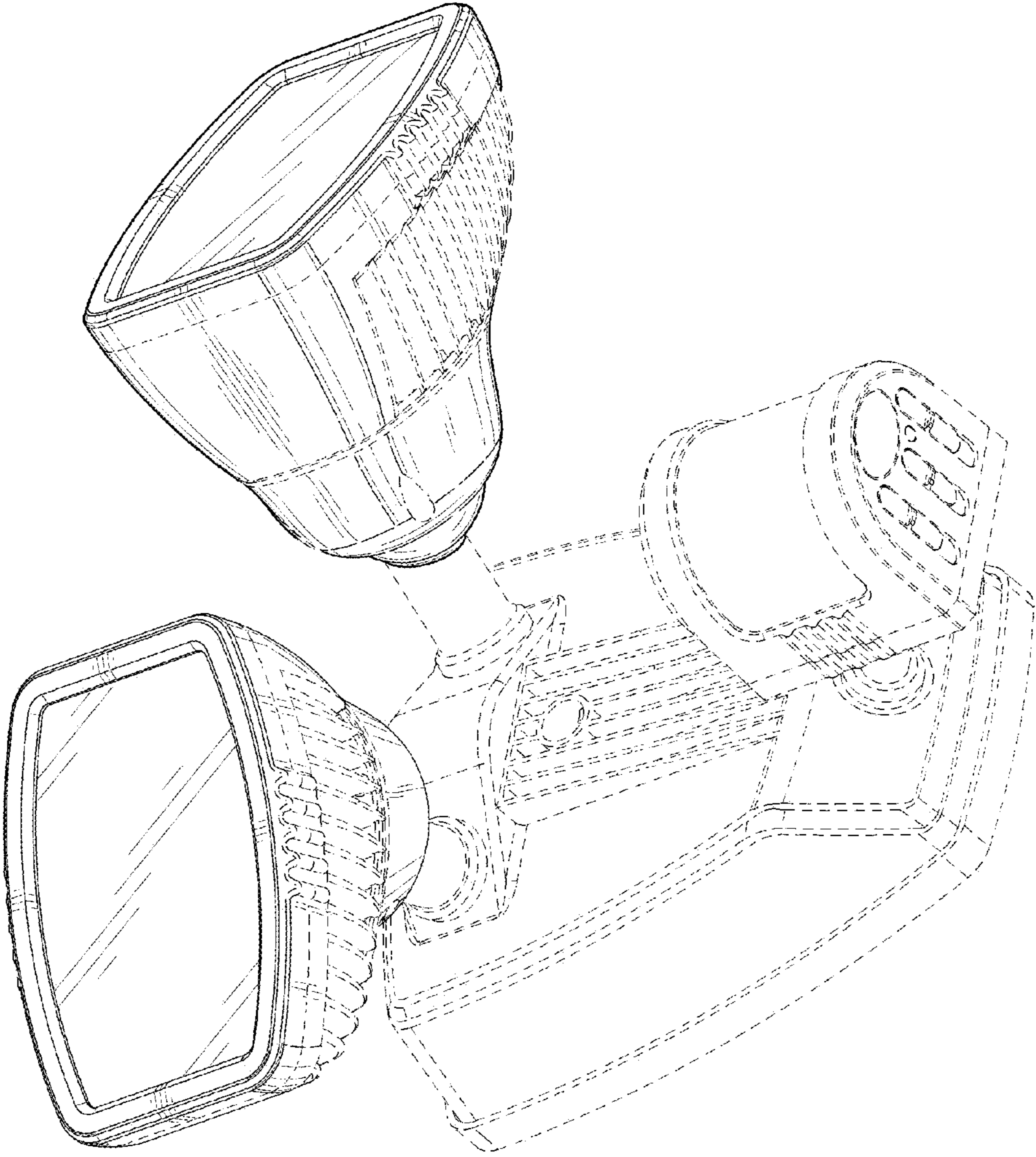


FIG. 9

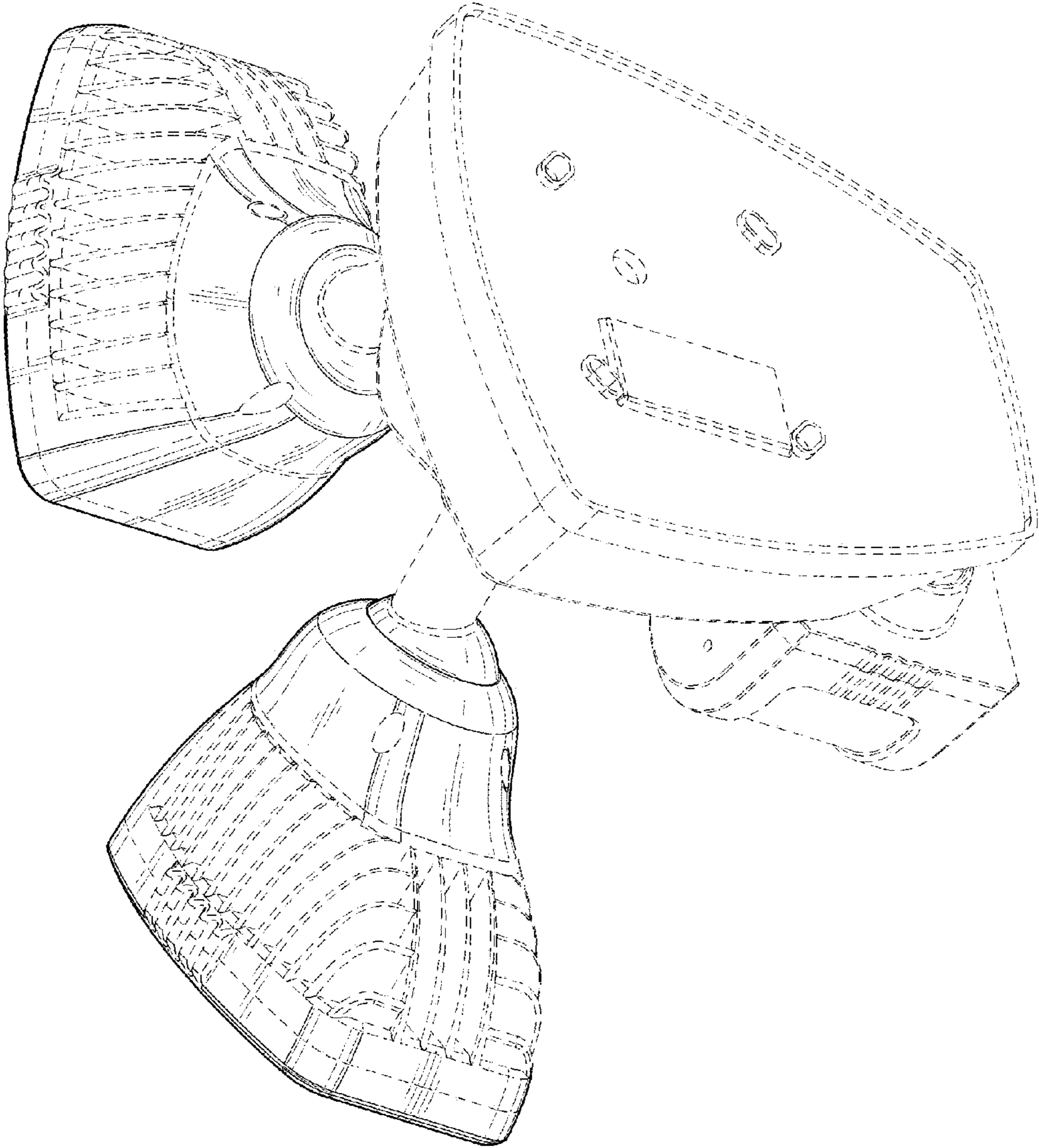


FIG. 10

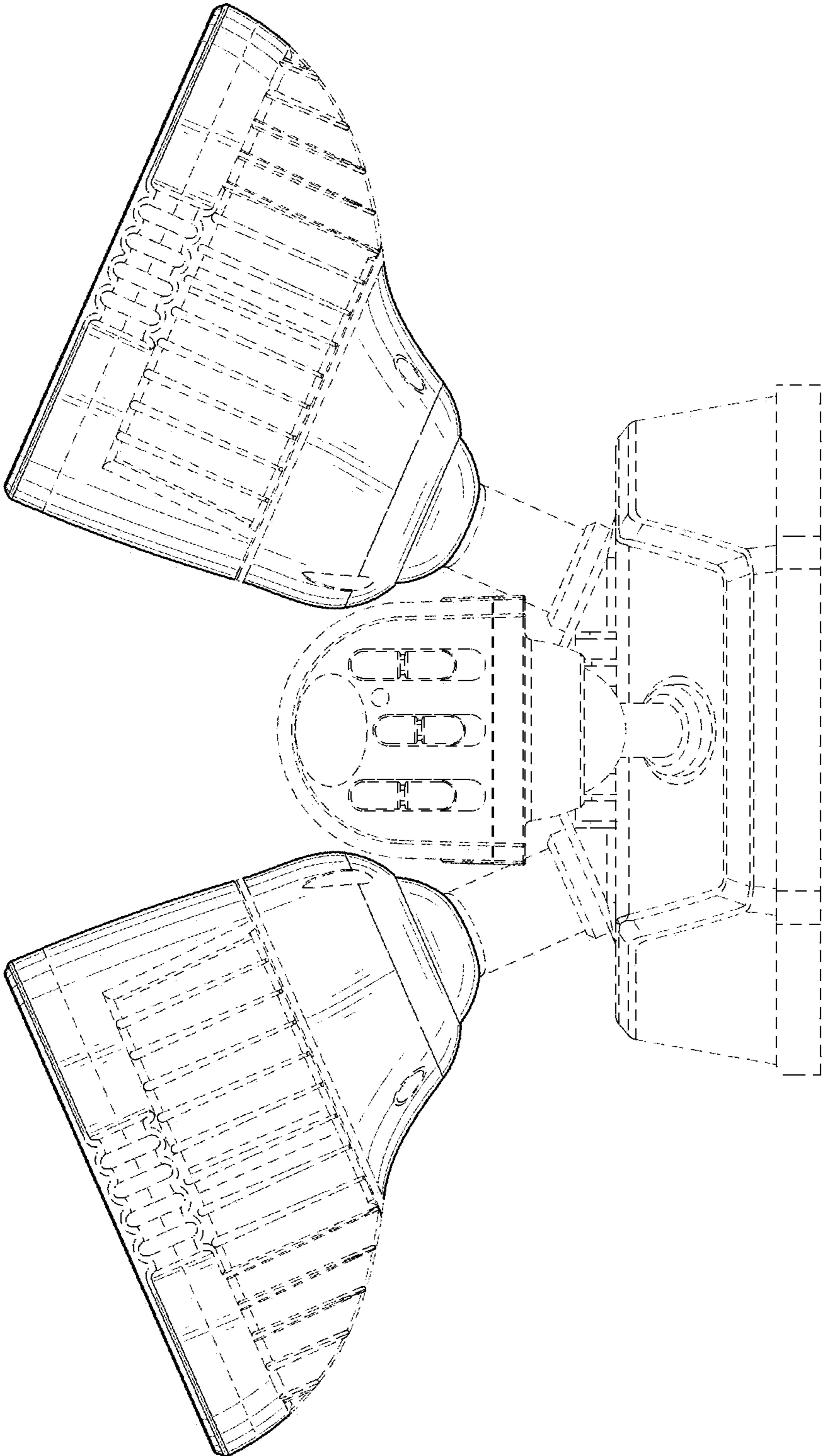


FIG. 11

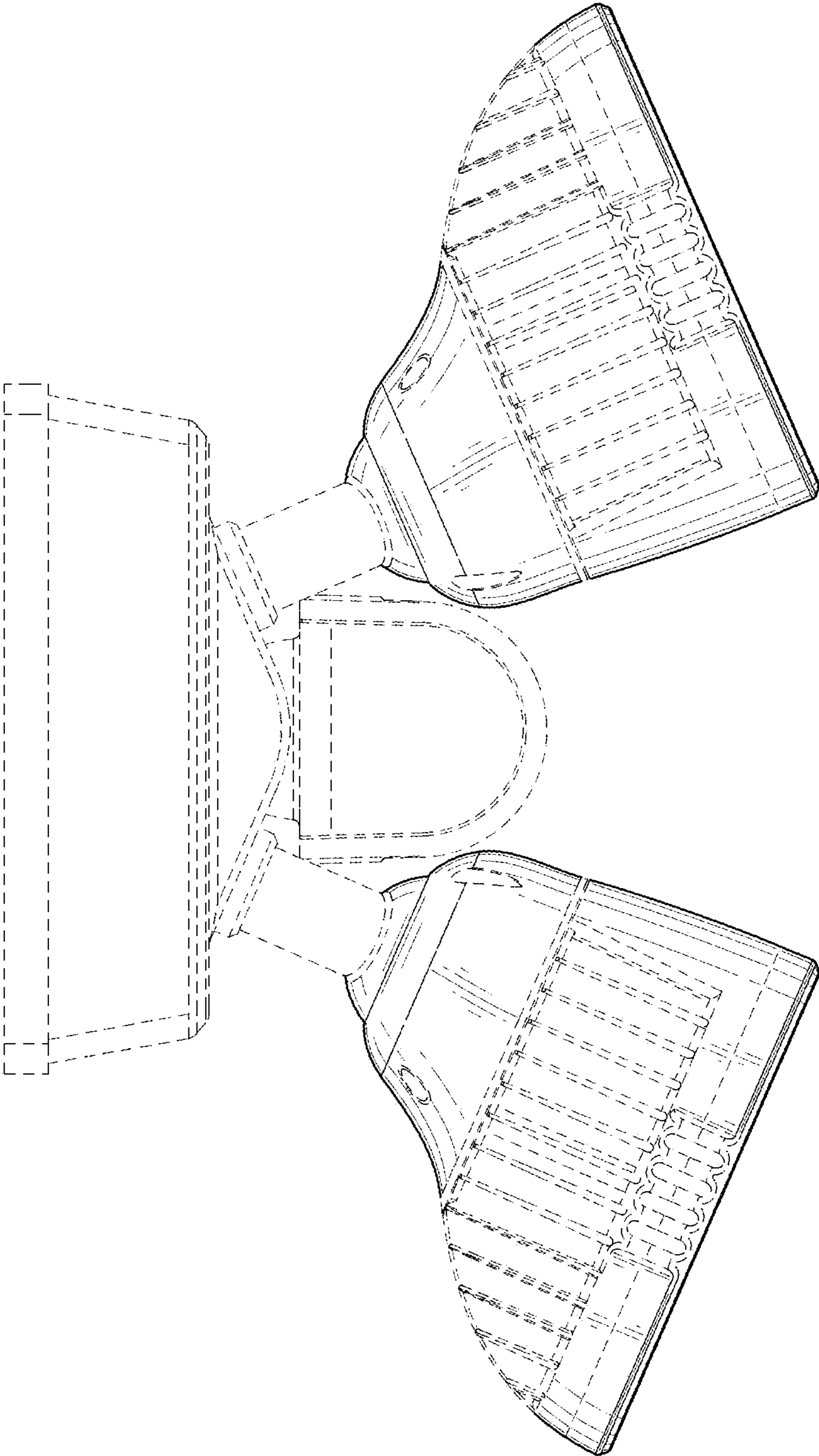


FIG. 12

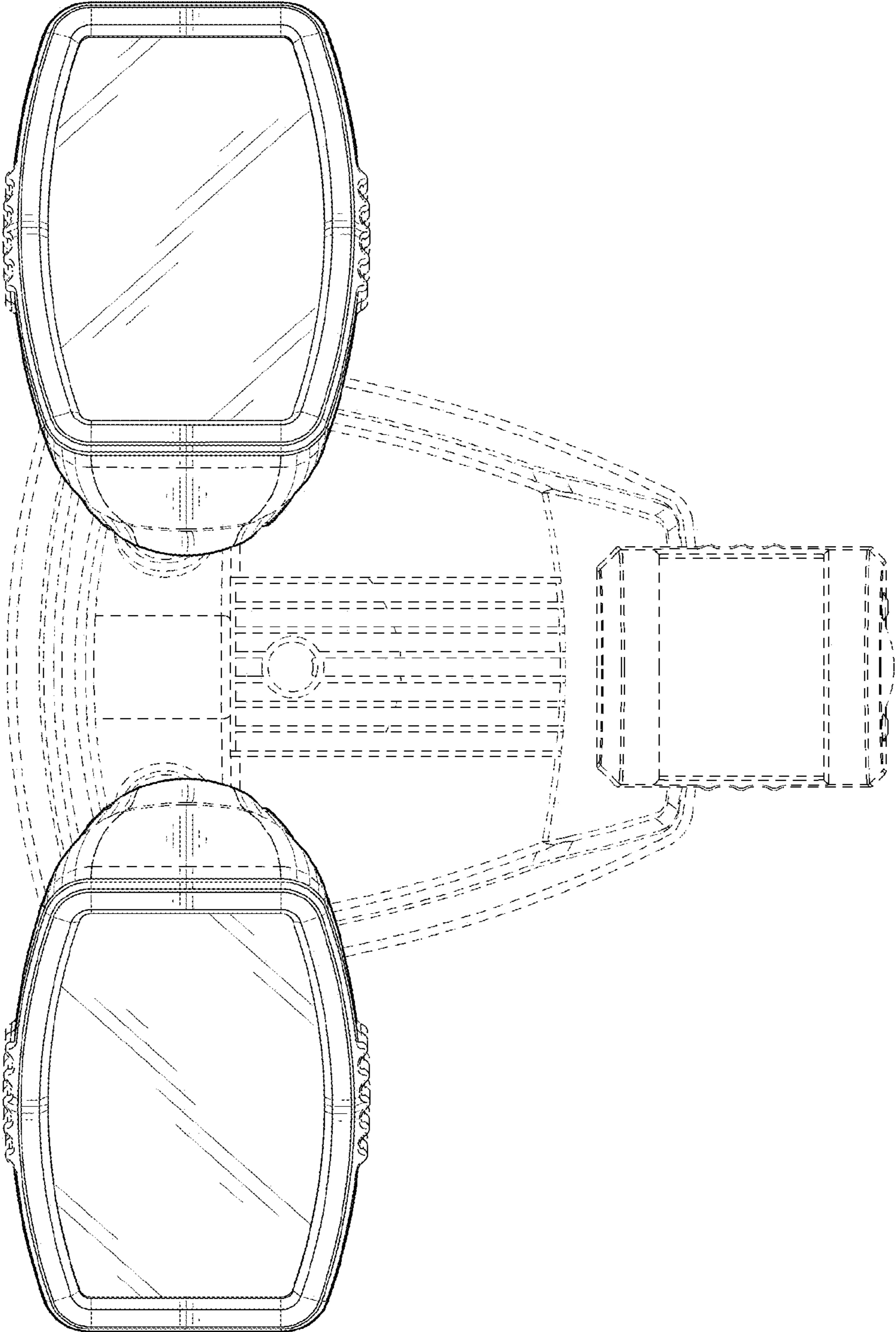


FIG. 13

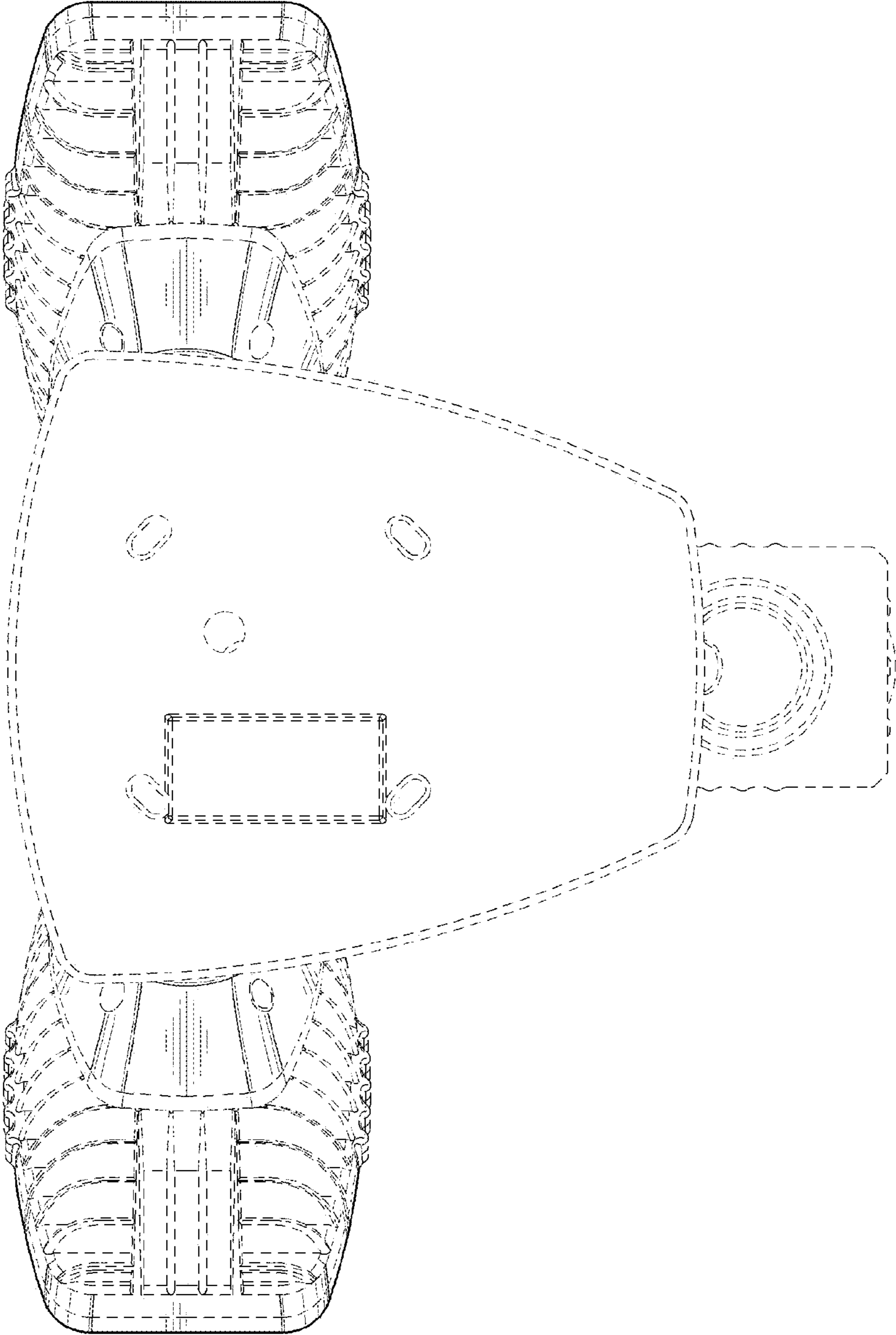


FIG. 14

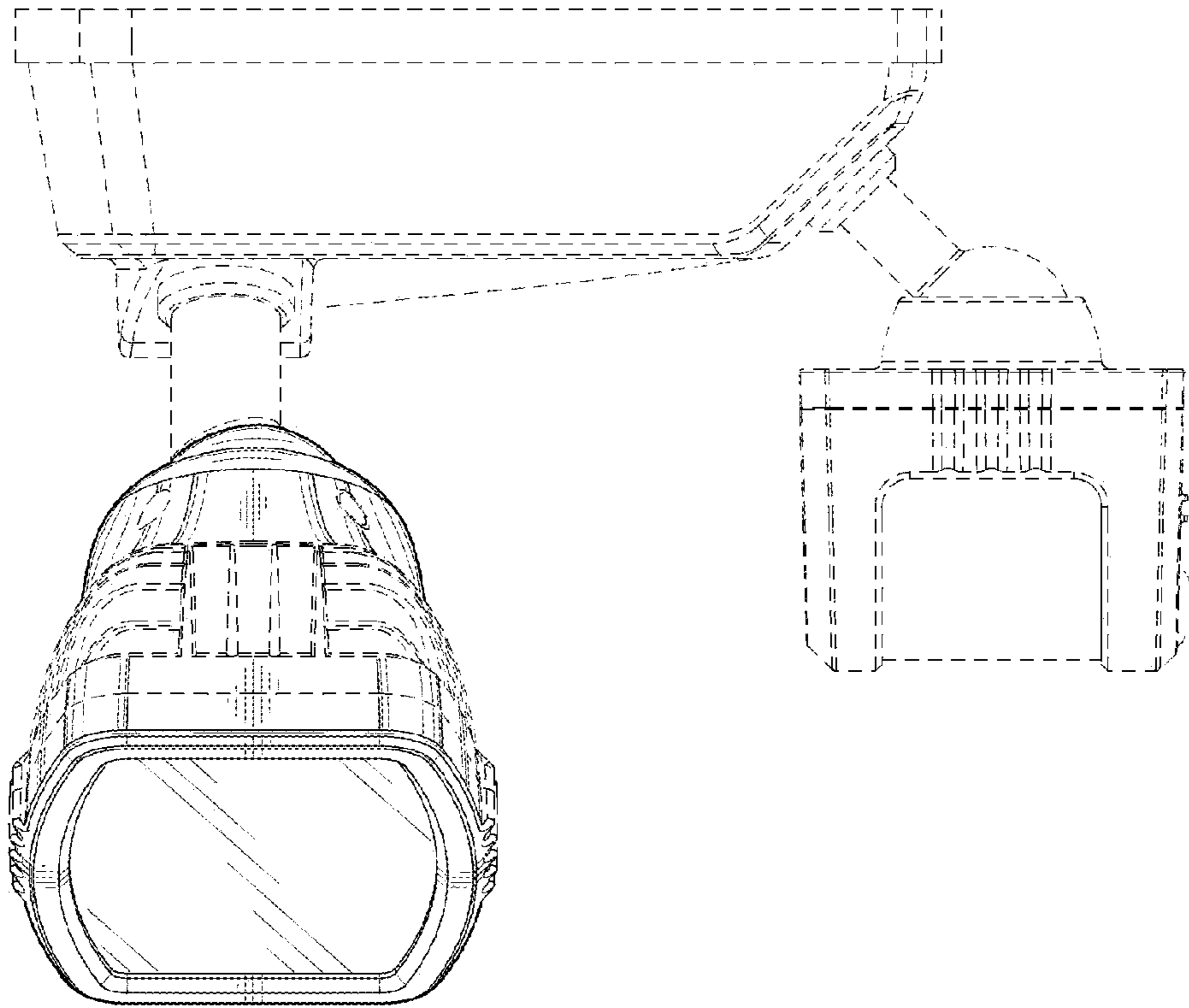


FIG. 15

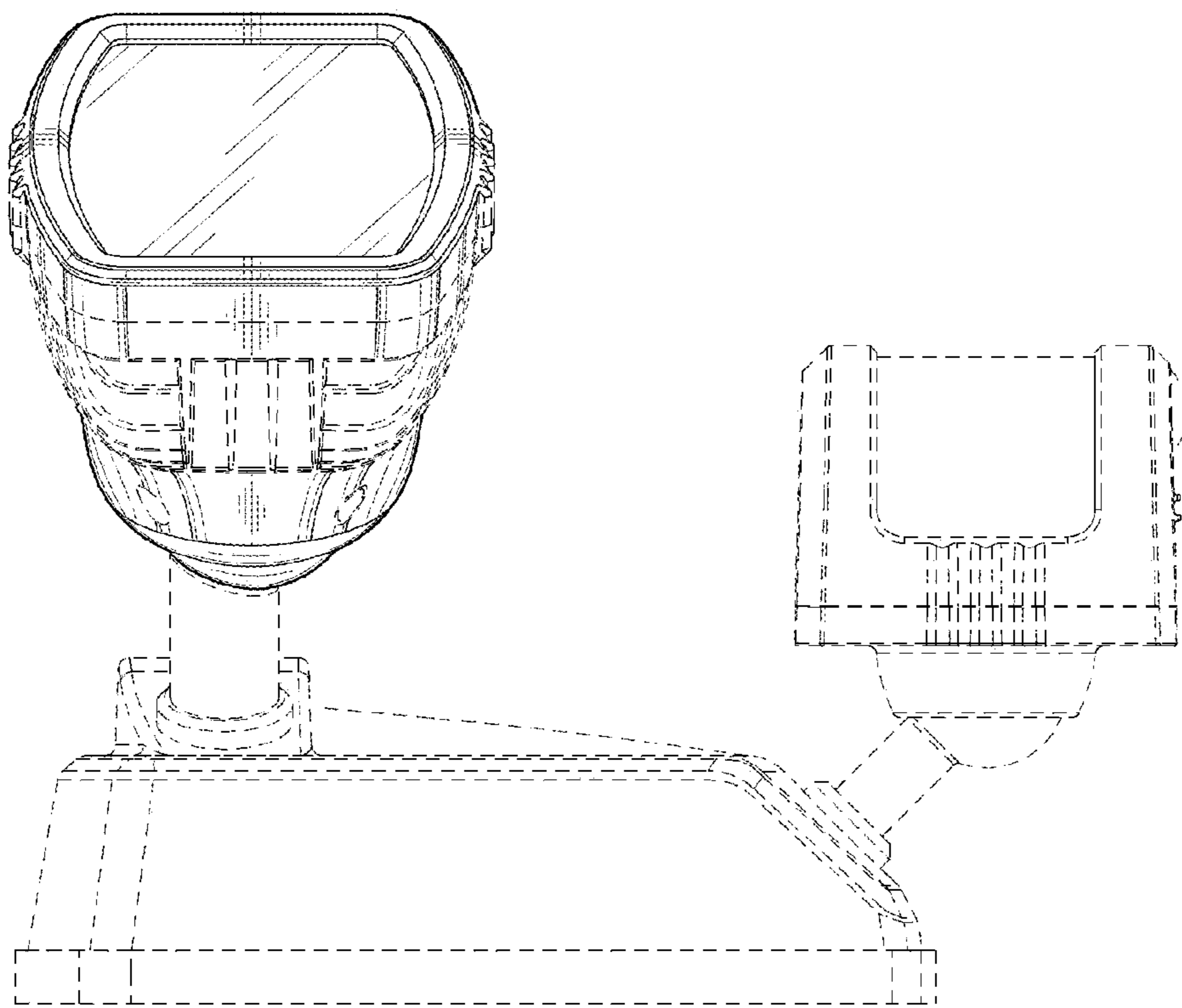


FIG. 16