



US00D745200S

(12) **United States Design Patent**
Inskeep

(10) **Patent No.:** **US D745,200 S**
(45) **Date of Patent:** **** Dec. 8, 2015**

- (54) **FLASHLIGHT**
- (71) Applicant: **Mathew Inskeep**, Highland Beach, FL
(US)
- (72) Inventor: **Mathew Inskeep**, Highland Beach, FL
(US)
- (**) Term: **14 Years**
- (21) Appl. No.: **29/501,982**
- (22) Filed: **Sep. 10, 2014**
- (51) **LOC (10) Cl.** **26-02**
- (52) **U.S. Cl.**
USPC **D26/49**
- (58) **Field of Classification Search**
USPC D26/37-51, 56-60, 67; 362/103-105,
362/184, 194-196, 202-206; D22/117
CPC F21L 4/00; F21L 4/005; F21L 4/022;
F21L 4/025; F21L 4/027; F21L 7/00; F21L
19/00; F21V 21/084; F21V 21/085; F21W
2111/10
See application file for complete search history.

7,073,921 B2 *	7/2006	Chen	F21L 4/022	362/202
D566,309 S *	4/2008	Kornfeld	D26/37	
D629,542 S *	12/2010	Robinson	D26/49	
D646,346 S *	10/2011	Rae	D22/117	
D647,654 S *	10/2011	Li	D26/49	
D659,271 S *	5/2012	Nguyen	D26/49	
D674,943 S *	1/2013	Sheikh	D22/117	
D709,233 S *	7/2014	Inskeep	D26/49	
D710,526 S *	8/2014	Lee	D26/49	

* cited by examiner

Primary Examiner — Sandra Morris

(57) **CLAIM**

I claim the ornamental design for a flashlight, as shown and described.

DESCRIPTION

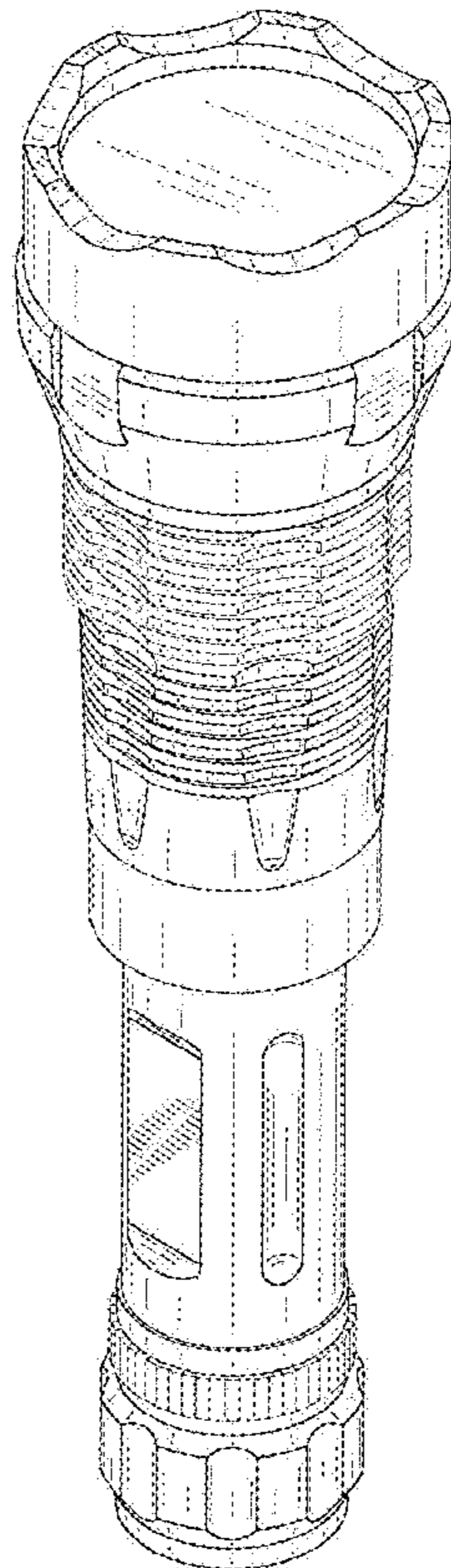
FIG. 1 is a top perspective view of the flashlight showing my new design.
 FIG. 2 is a bottom perspective view thereof.
 FIG. 3 is a top view thereof.
 FIG. 4 is a bottom view thereof.
 FIG. 5 is a front right side view thereof.
 FIG. 6 is a front left side view thereof.
 FIG. 7 is a back right side view thereof.
 FIG. 8 is a perspective view with the charging port exposed; and,
 FIG. 9 is a side perspective view with the charging light exposed.

(56) **References Cited**

U.S. PATENT DOCUMENTS

D411,893 S *	7/1999	Matthes	D26/37
D525,733 S *	7/2006	Shiao	D26/37

1 Claim, 4 Drawing Sheets



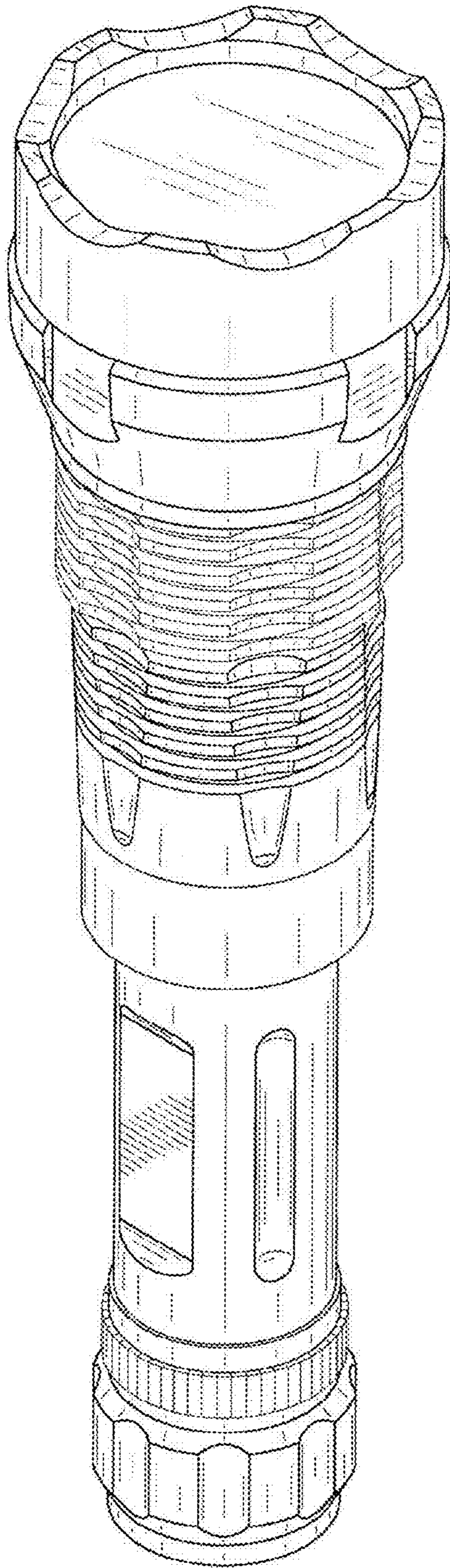


FIG. 1

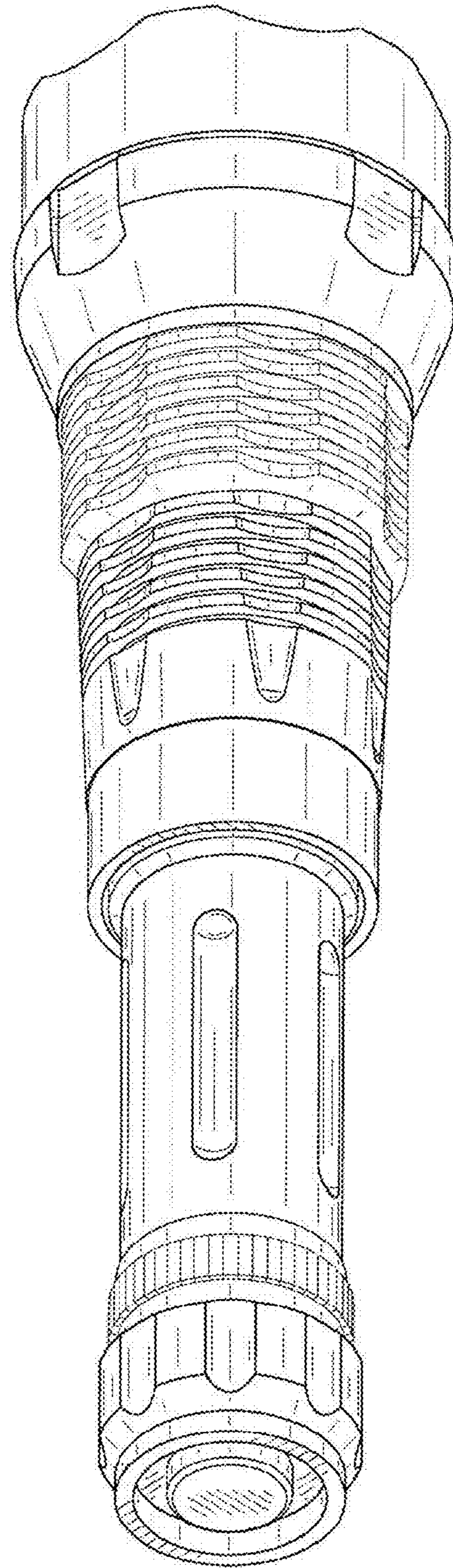


FIG. 2

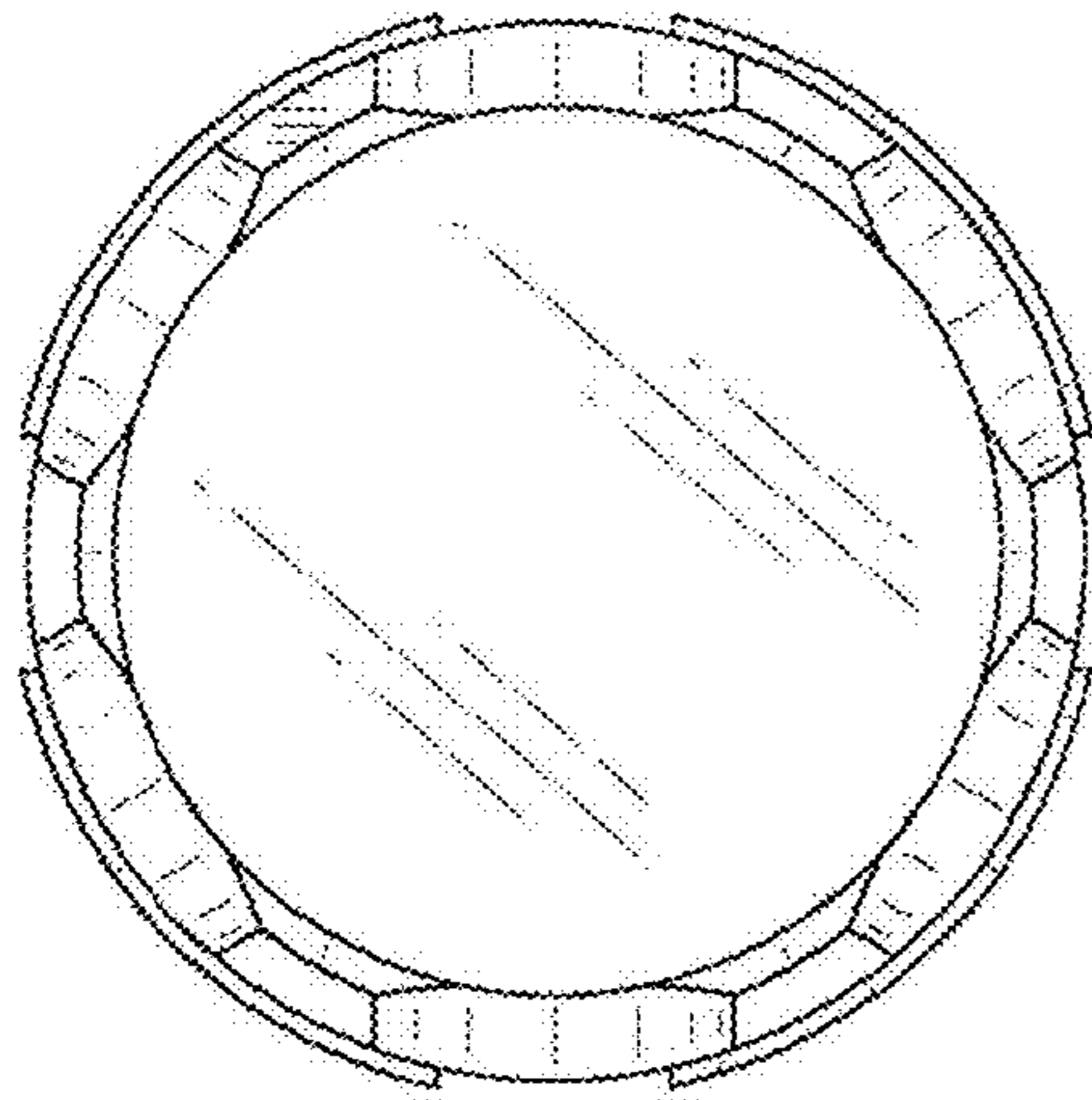


FIG. 3

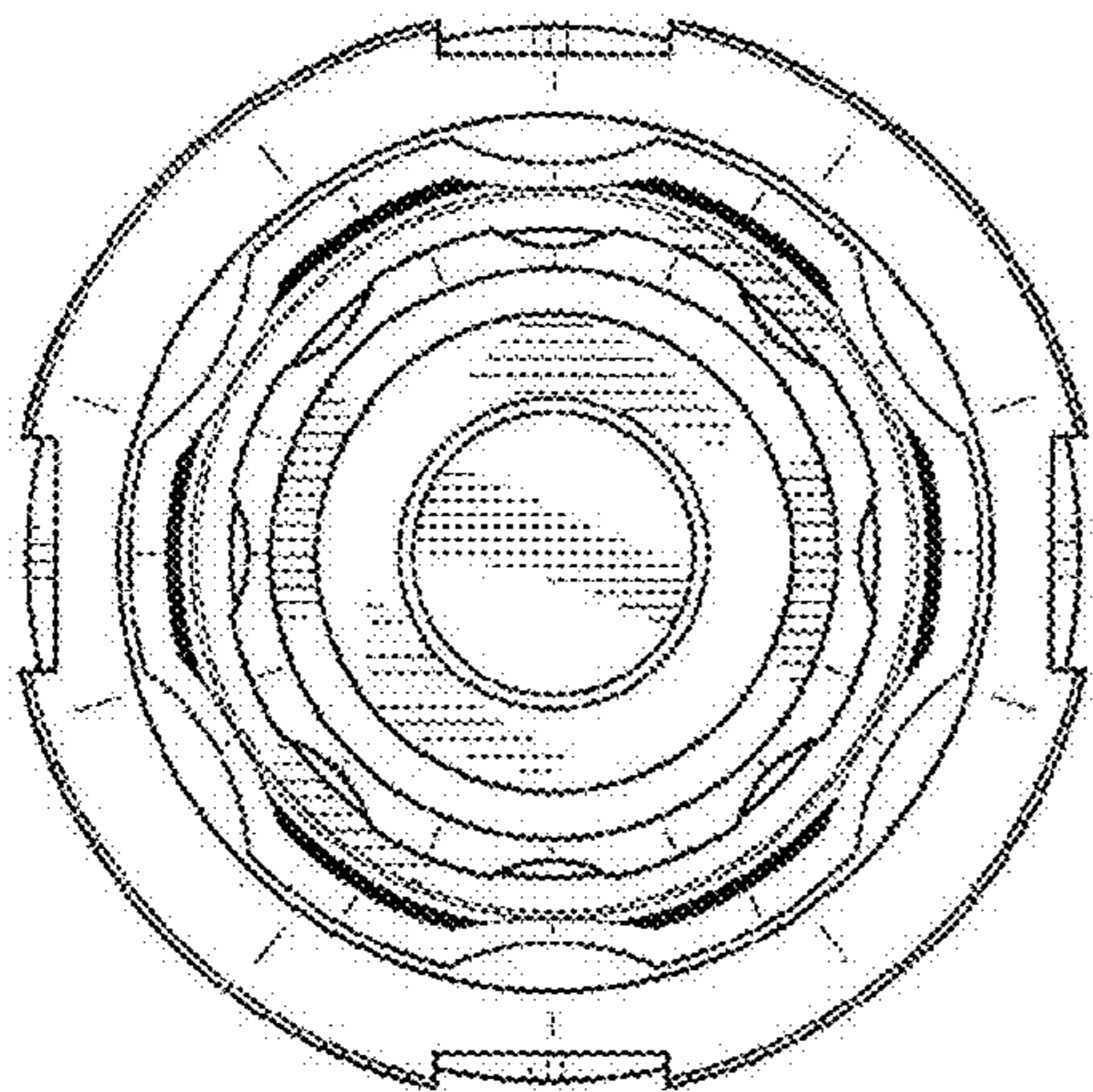


FIG. 4

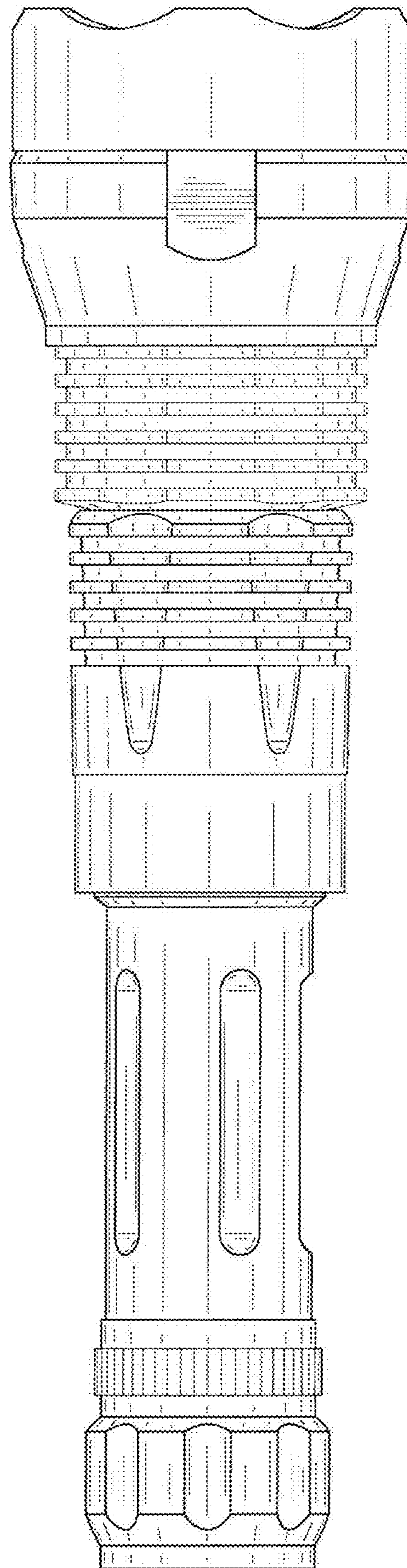


FIG. 5

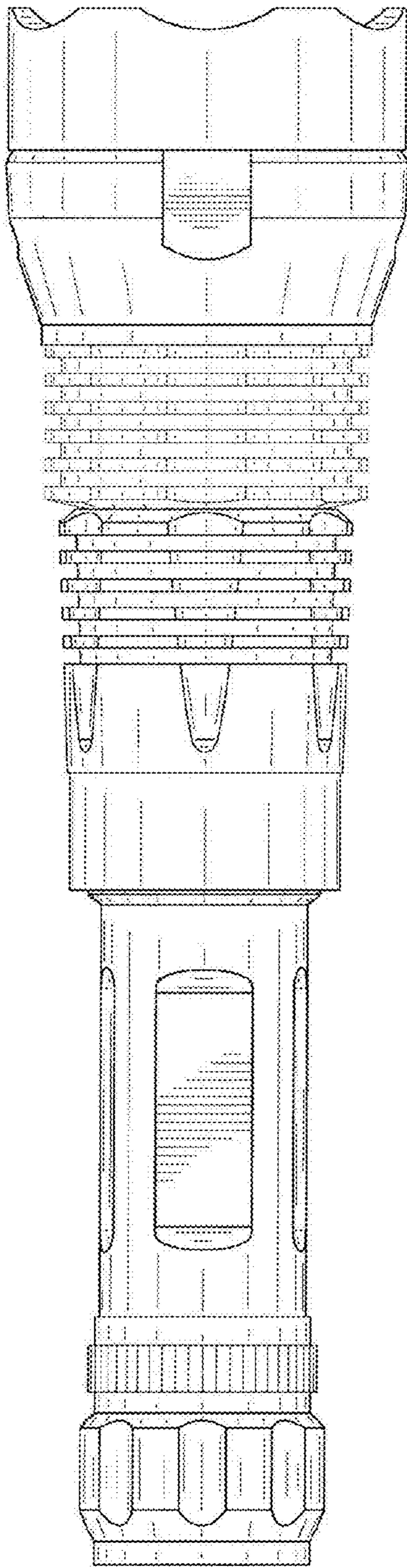


FIG. 6

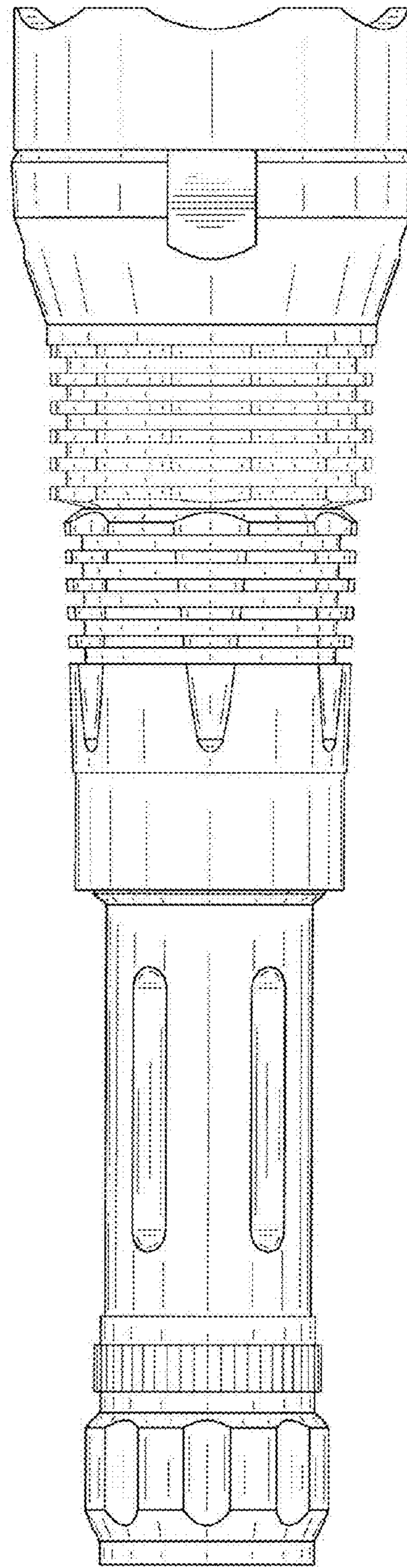


FIG. 7

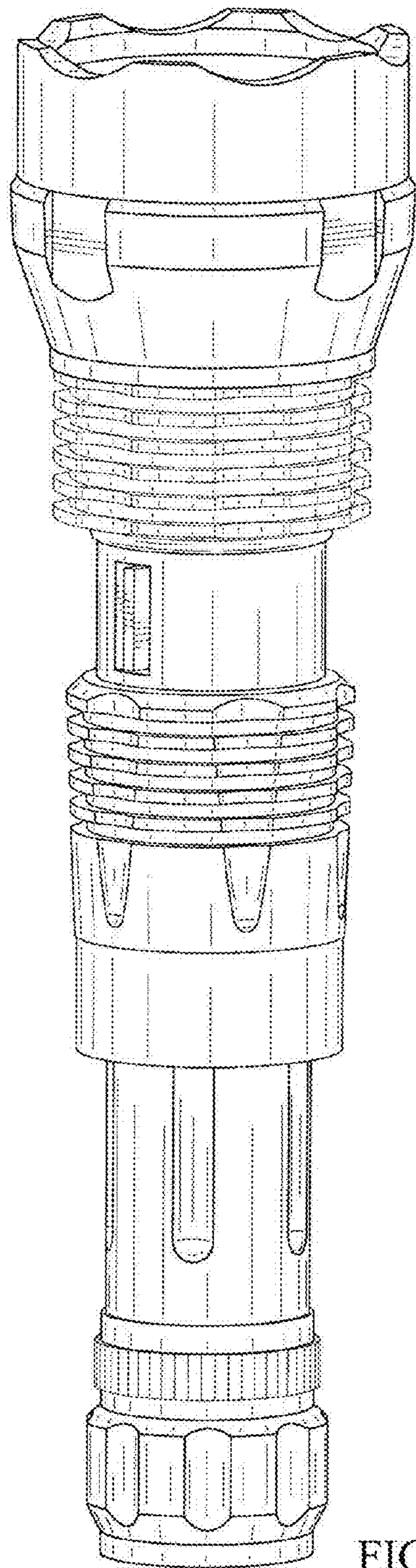


FIG. 8

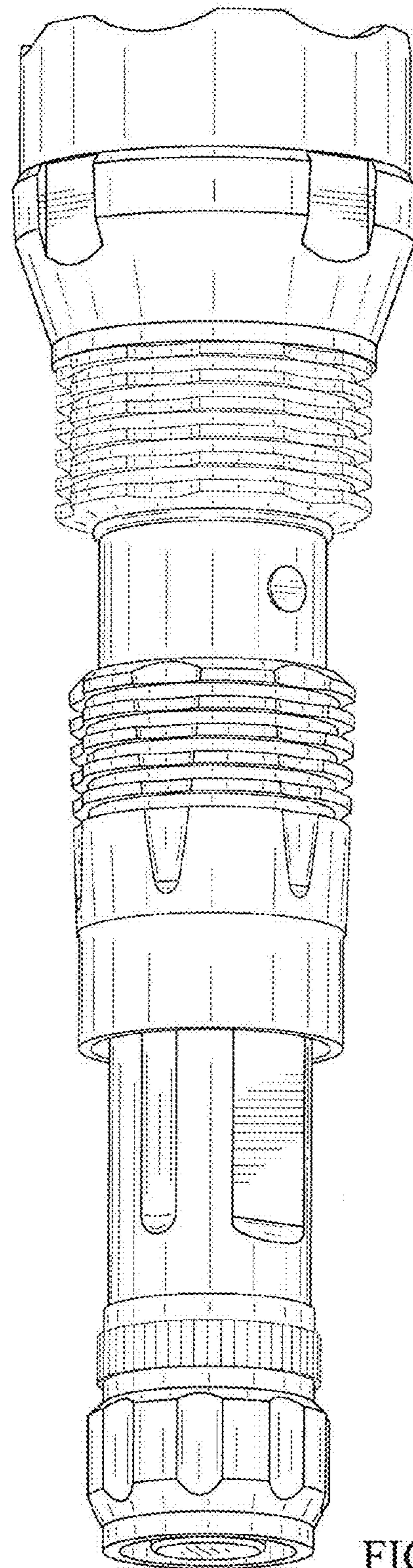


FIG. 9