



US00D745199S

(12) **United States Design Patent**  
**Murase**

(10) **Patent No.:** **US D745,199 S**  
(45) **Date of Patent:** **\*\* Dec. 8, 2015**

(54) **REAR COMBINATION LAMP FOR AN  
AUTOMOBILE**

(71) Applicant: **Fuji Jukogyo Kabushiki Kaisha**, Tokyo  
(JP)

(72) Inventor: **Shinya Murase**, Tokyo (JP)

(73) Assignee: **Fuji Jukogyo Kabushiki Kaisha**, Tokyo  
(JP)

(\*\*) Term: **14 Years**

(21) Appl. No.: **29/494,868**

(22) Filed: **Jun. 25, 2014**

(30) **Foreign Application Priority Data**

Dec. 25, 2013 (JP) ..... 2013-030324

(51) **LOC (10) Cl.** ..... **26-06**

(52) **U.S. Cl.**  
USPC ..... **D26/28**

(58) **Field of Classification Search**  
USPC ..... D26/28-36; 362/459-468, 475-478,  
362/485-487  
CPC ..... F21S 48/00; F21S 48/225; F21S 48/1233;  
F21S 48/1266; F21S 48/1388; F21S 48/2268;  
F21S 48/10; F21S 48/115; F21V 21/04  
See application file for complete search history.

(56) **References Cited**

U.S. PATENT DOCUMENTS

D498,013 S *	11/2004	Pfeiffer	.....	D26/28
D523,976 S *	6/2006	Pfeiffer et al.	.....	D26/28
D538,452 S *	3/2007	Pfeiffer	.....	D26/28
D539,450 S *	3/2007	Pfeiffer	.....	D26/28
D549,363 S *	8/2007	Pfeiffer	.....	D26/28

\* cited by examiner

*Primary Examiner* — Marcus Jackson

(74) *Attorney, Agent, or Firm* — Schiff Hardin LLP

(57) **CLAIM**

I claim the ornamental design for a rear combination lamp for an automobile thereof, as shown and described.

**DESCRIPTION**

The patent or application file contains at least one drawing executed in color. Copies of this patent or patent application publication with color drawing(s) will be provided by the Office upon request and payment of the necessary fee.

FIG. 1 is a front perspective view for a “rear combination lamp for an automobile” showing my new design, FIG. 2 is a rear perspective view thereof, FIG. 3 is a front view thereof, FIG. 4 is a rear view thereof, FIG. 5 is a left-side view thereof, FIG. 6 is a right-side view thereof, FIG. 7 is a top view thereof, FIG. 8 is a bottom view thereof; and, FIG. 9 is a perspective view of a second embodiment thereof, wherein the only difference resides in the translucent lens.

**1 Claim, 9 Drawing Sheets**  
**(1 of 9 Drawing Sheet(s) Filed in Color)**

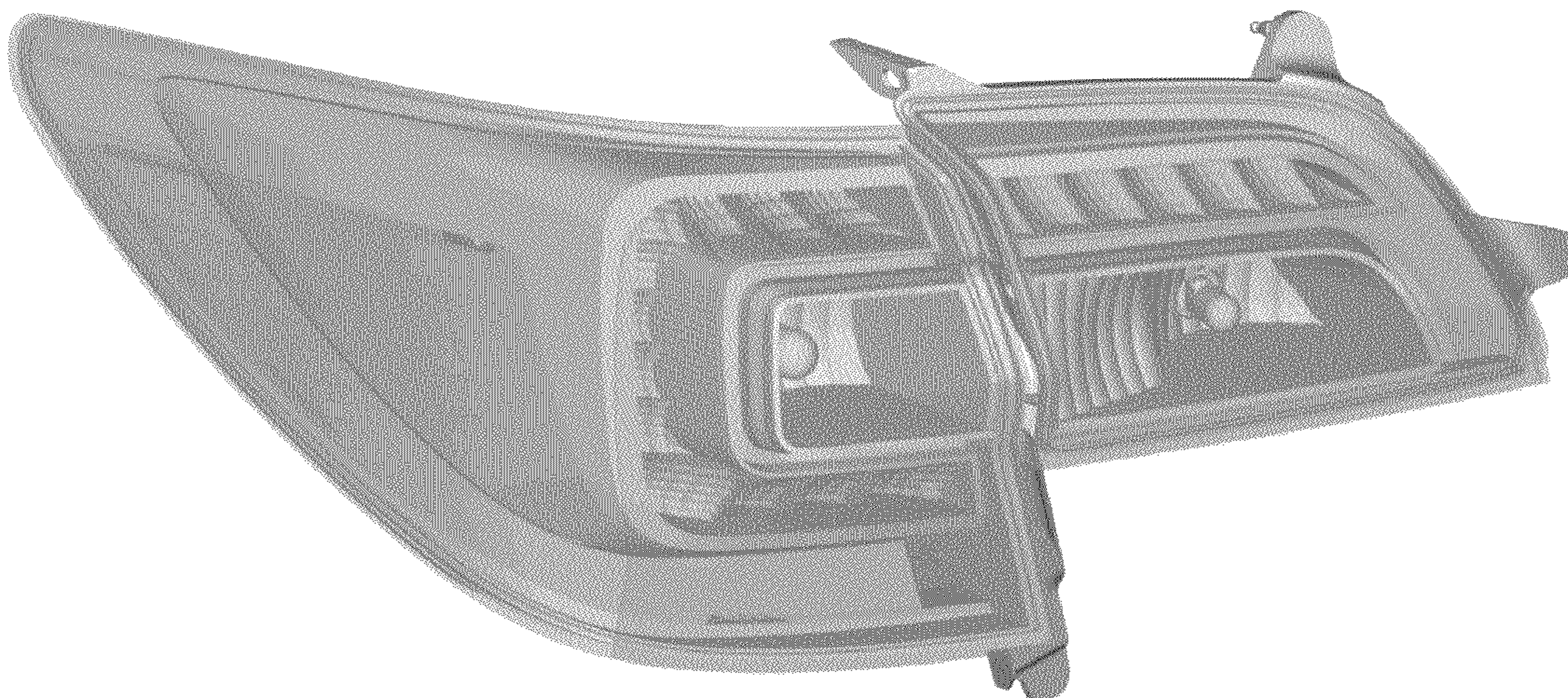




Fig. 1

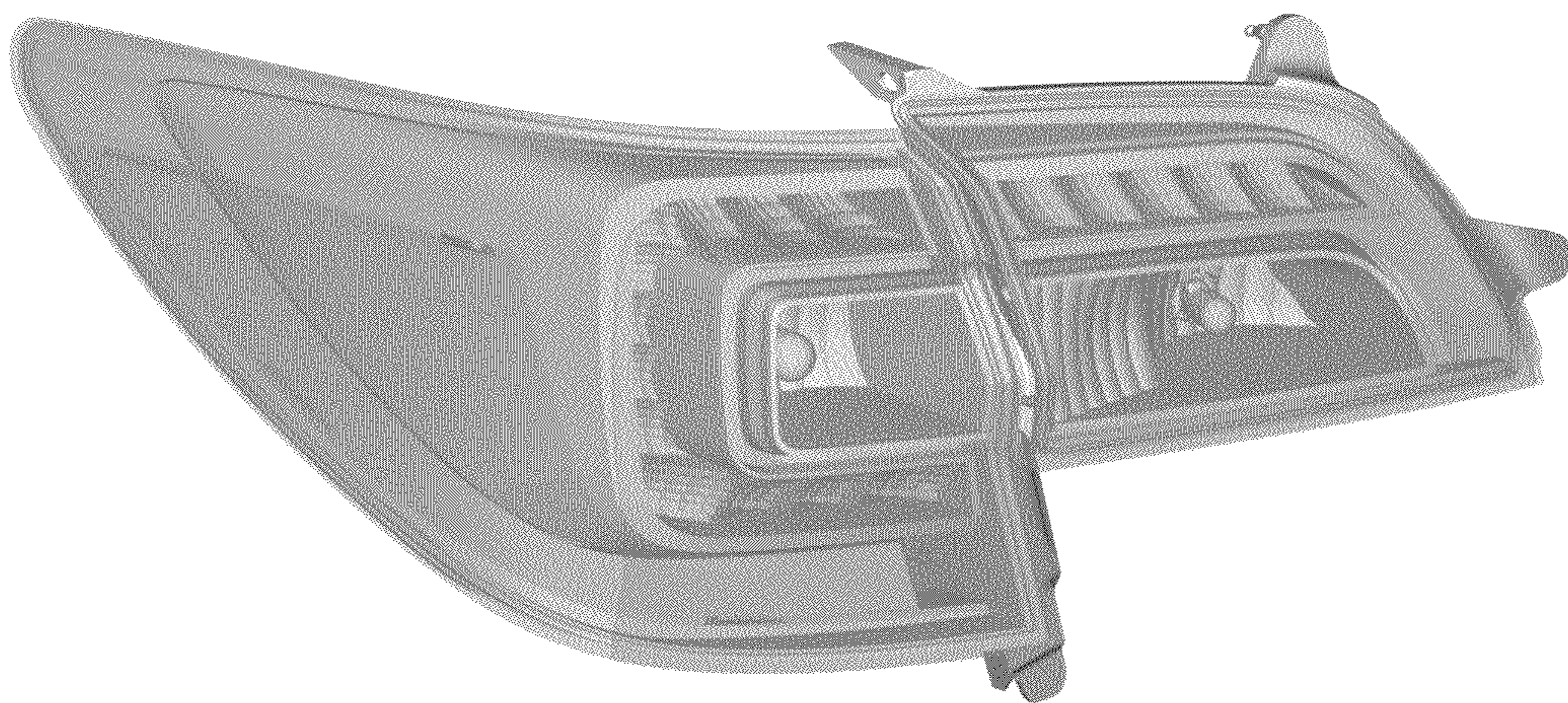




Fig. 2

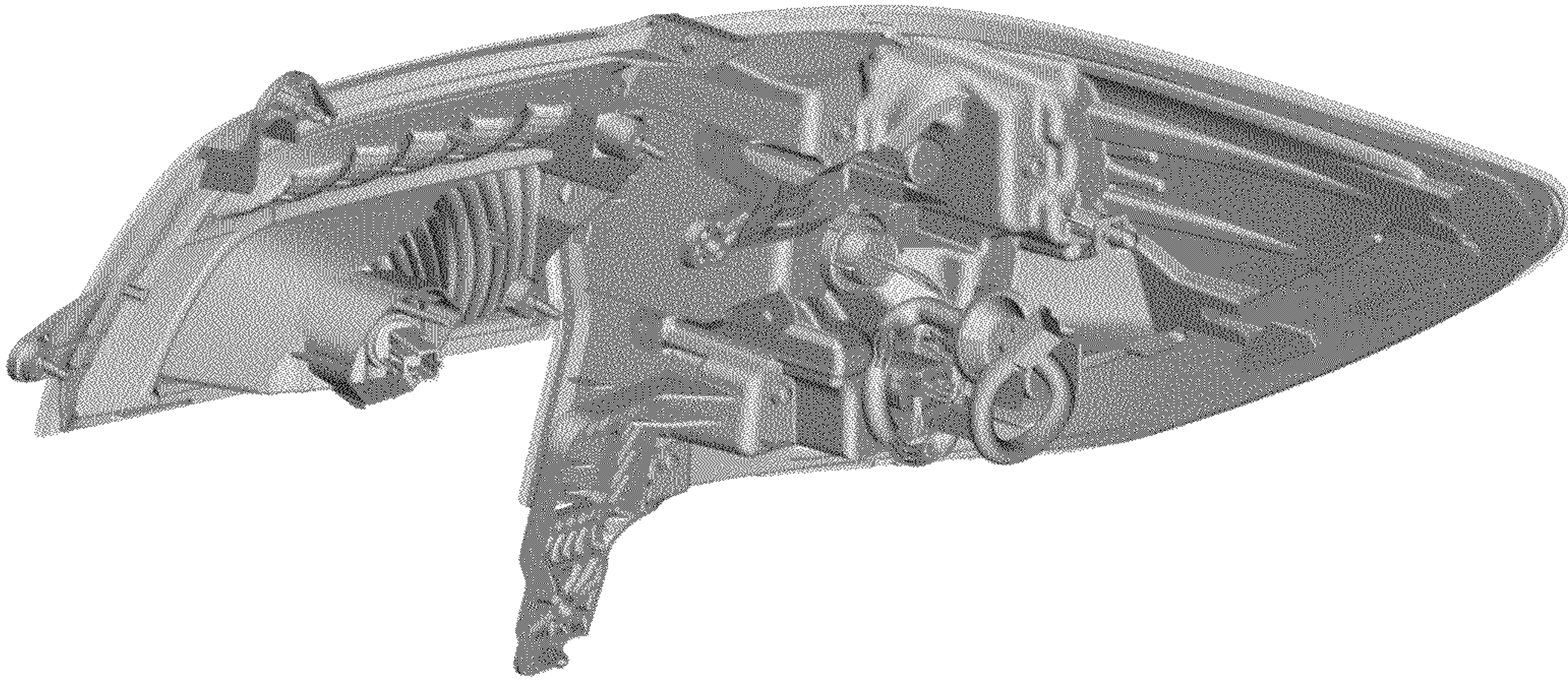




Fig. 3

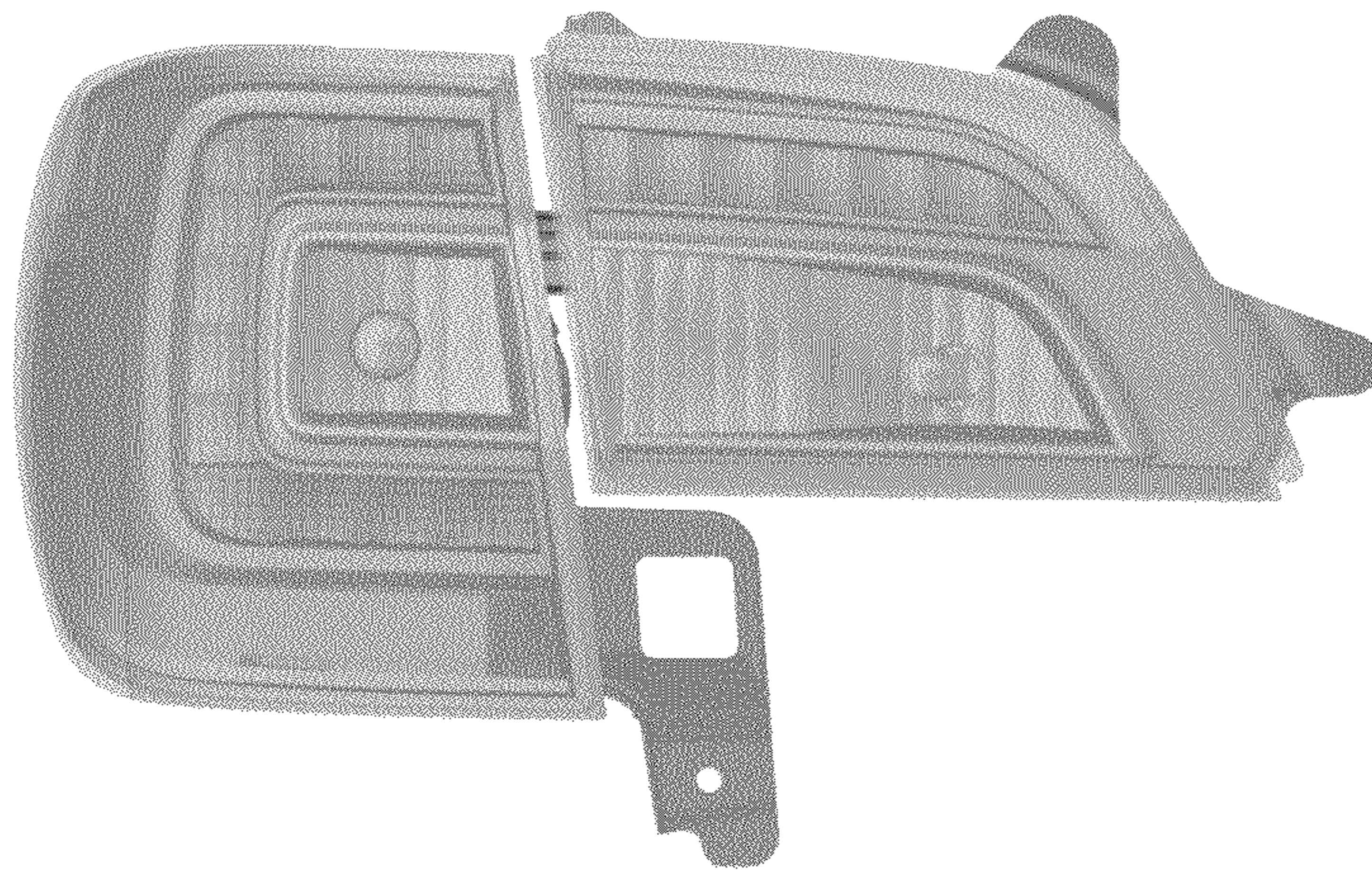


Fig. 4

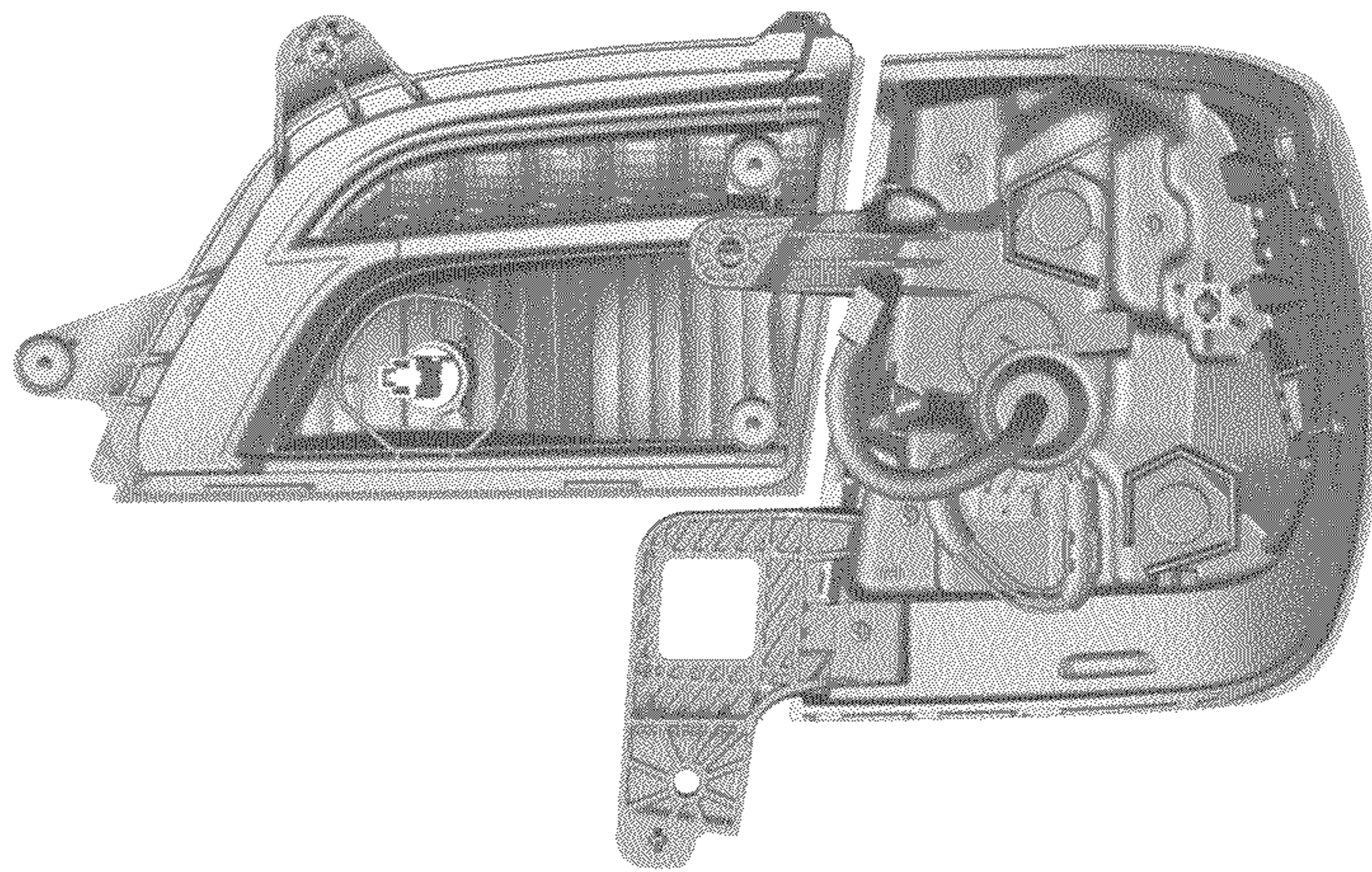




Fig. 5

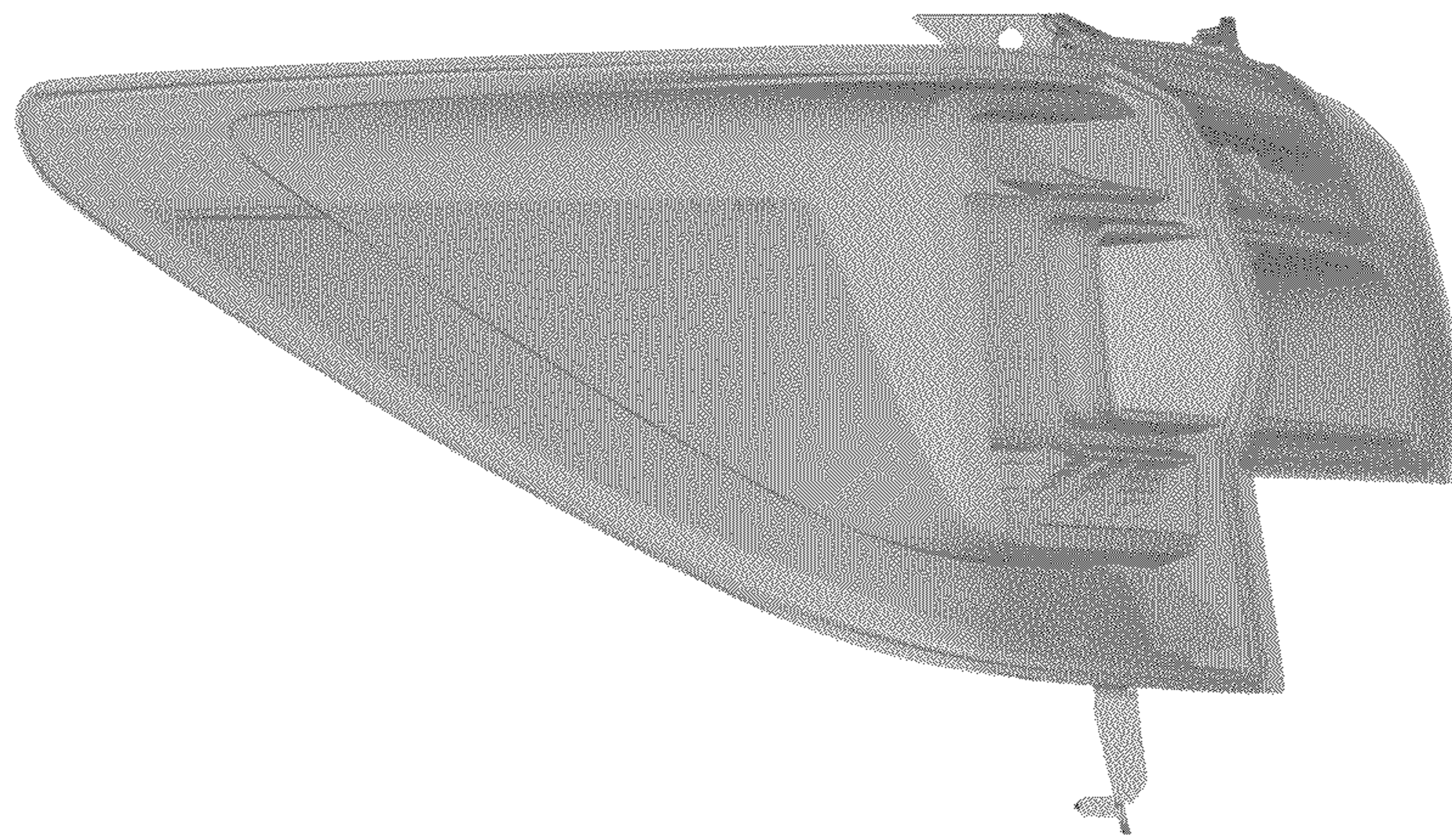


Fig. 6

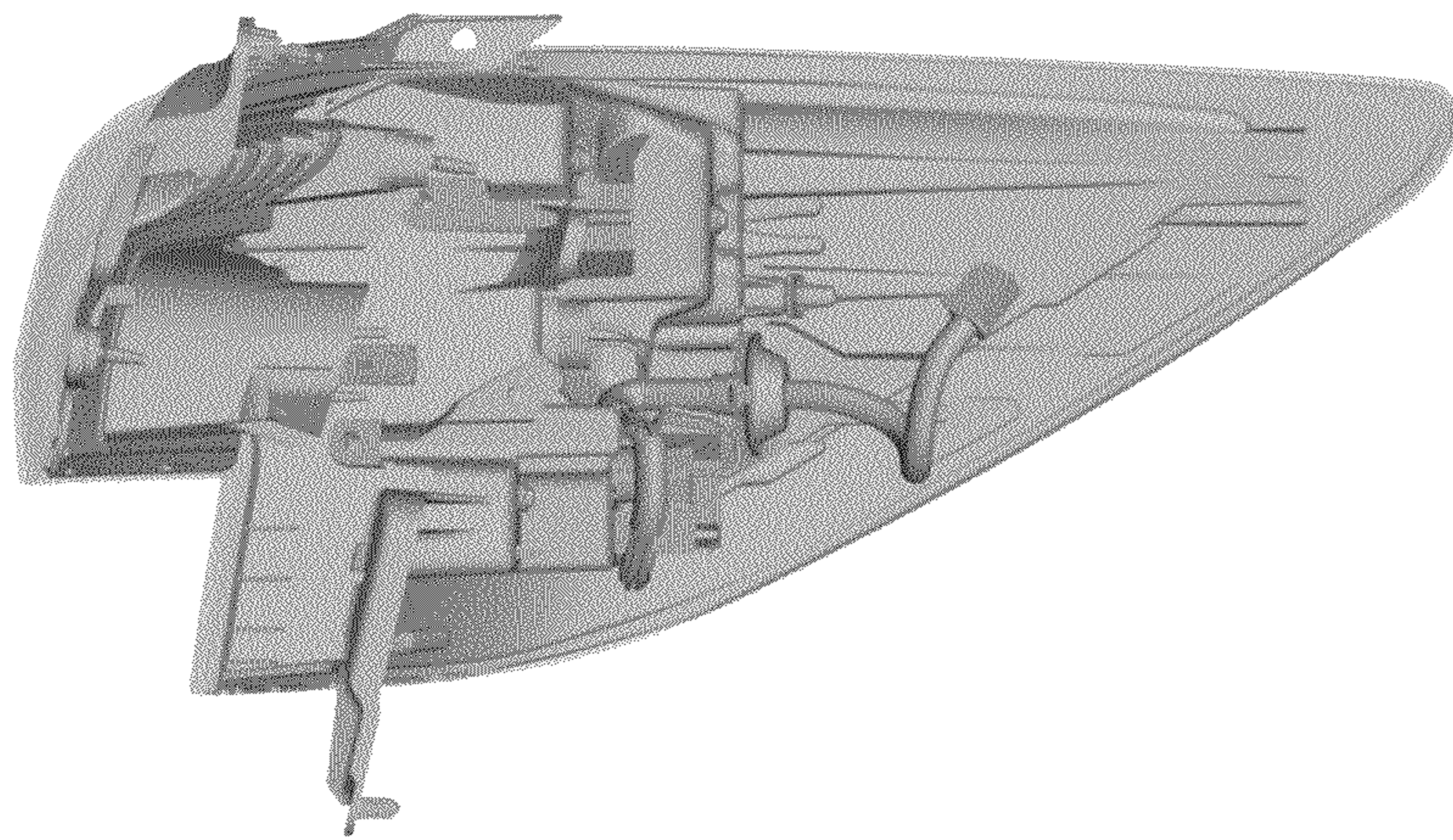




Fig. 7

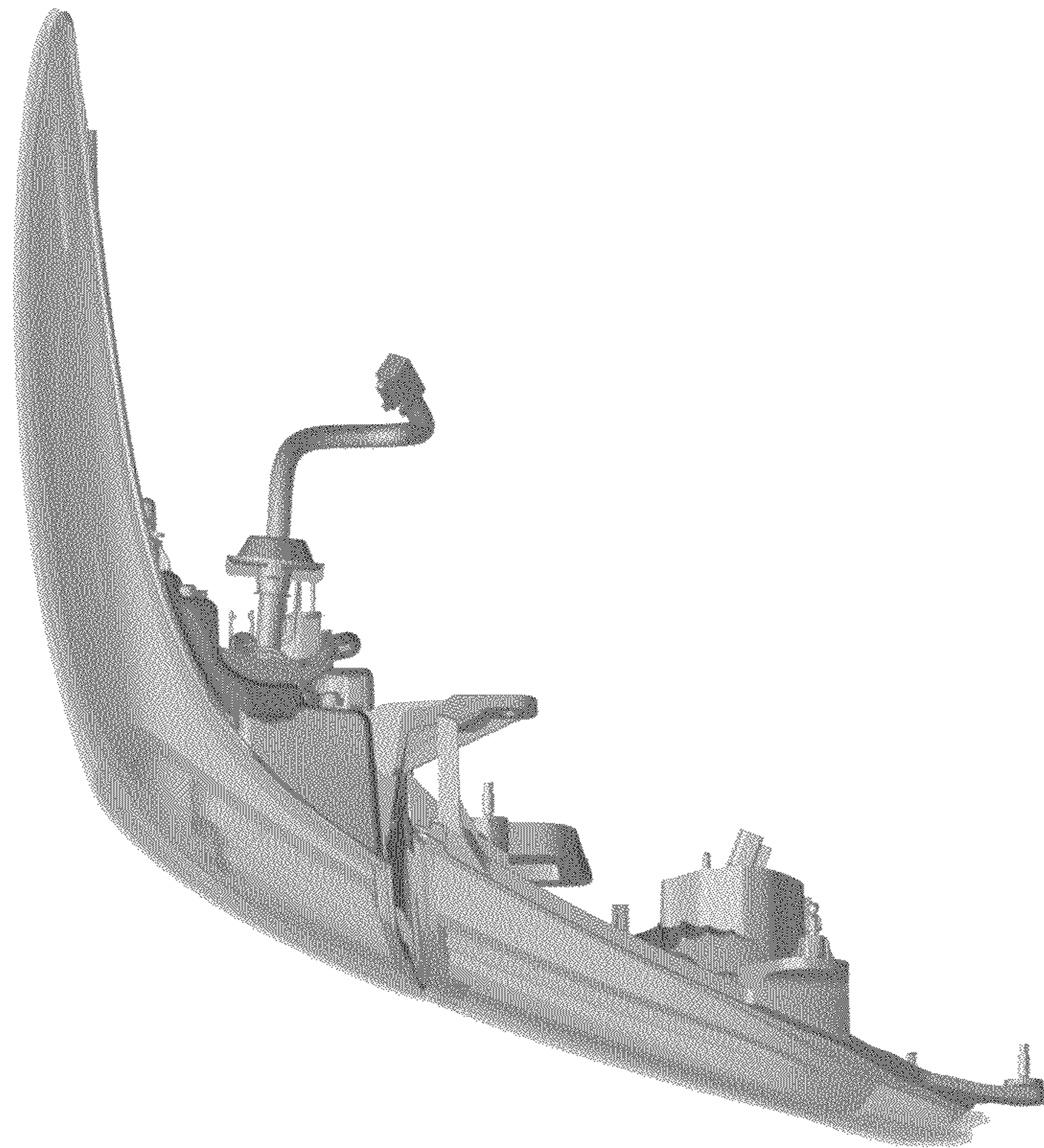




Fig. 8

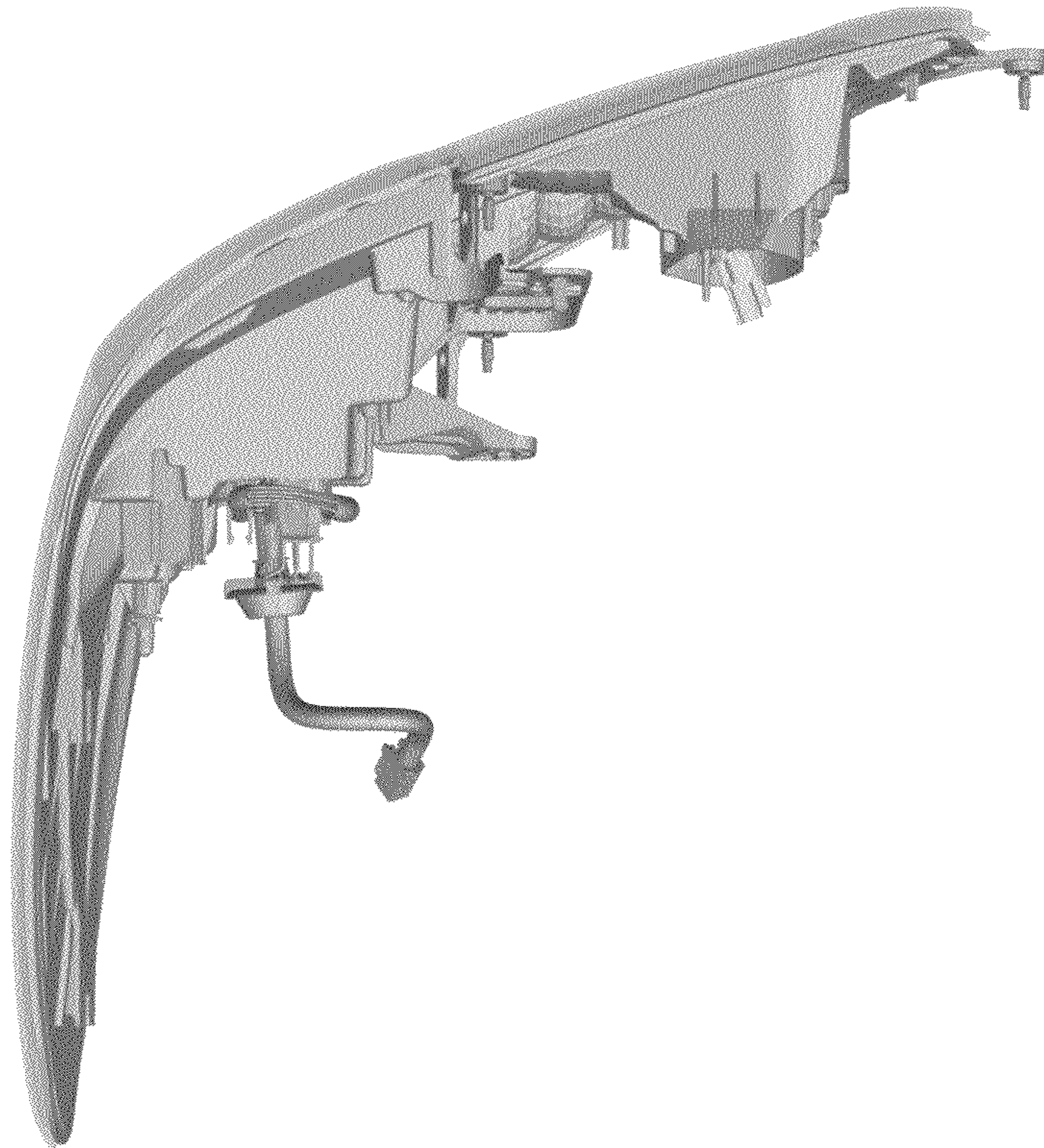




Fig. 9

