



US00D745198S

(12) **United States Design Patent**
Stopka

(10) **Patent No.:** **US D745,198 S**

(45) **Date of Patent:** **** Dec. 8, 2015**

(54) **LIGHTING DEVICE FOR A MOTOR VEHICLE**

(71) Applicant: **Dr. Ing. h.c. F. Porsche Aktiengesellschaft, Stuttgart (DE)**

(72) Inventor: **Thomas Stopka, Stuttgart (DE)**

(73) Assignee: **Dr. Ing. h.c. F. Porsche Aktiengesellschaft (DE)**

(**) Term: **14 Years**

(21) Appl. No.: **29/479,633**

(22) Filed: **Jan. 17, 2014**

(30) **Foreign Application Priority Data**

Jul. 19, 2013 (DE) 40 2013 100 704

(51) **LOC (10) Cl.** **26-06**

(52) **U.S. Cl.**
USPC **D26/28**

(58) **Field of Classification Search**
USPC D26/28-36; 362/459-476, 485-487, 362/543-549
CPC B60Q 1/18; B60Q 1/28; B60Q 1/32; B60Q 3/0203; F21S 48/00; F21S 48/225
See application file for complete search history.

(56) **References Cited**

U.S. PATENT DOCUMENTS

D507,363 S * 7/2005 Lai D26/28
D591,871 S * 5/2009 Saracoglu D26/28
D591,873 S * 5/2009 Larson D26/28
D591,875 S * 5/2009 Varga D26/28

D635,694 S * 4/2011 Yang et al. D26/28
D673,310 S 12/2012 Varga
D681,242 S * 4/2013 Tsai D26/28
D681,244 S * 4/2013 Tsai D26/28
D681,856 S * 5/2013 Tsai D26/28
D683,487 S * 5/2013 Scheinhutte et al. D26/28
D683,488 S * 5/2013 Scheinhutte et al. D26/28
D691,302 S * 10/2013 Lai D26/28
D692,167 S * 10/2013 Yamazaki et al. D26/28
D703,349 S * 4/2014 Borkert D26/28

* cited by examiner

Primary Examiner — Garth Rademaker

Assistant Examiner — Llorellys Martinez-Rivera

(74) *Attorney, Agent, or Firm* — Gerald E. Hespos; Michael J. Porco; Matthew T. Hespos

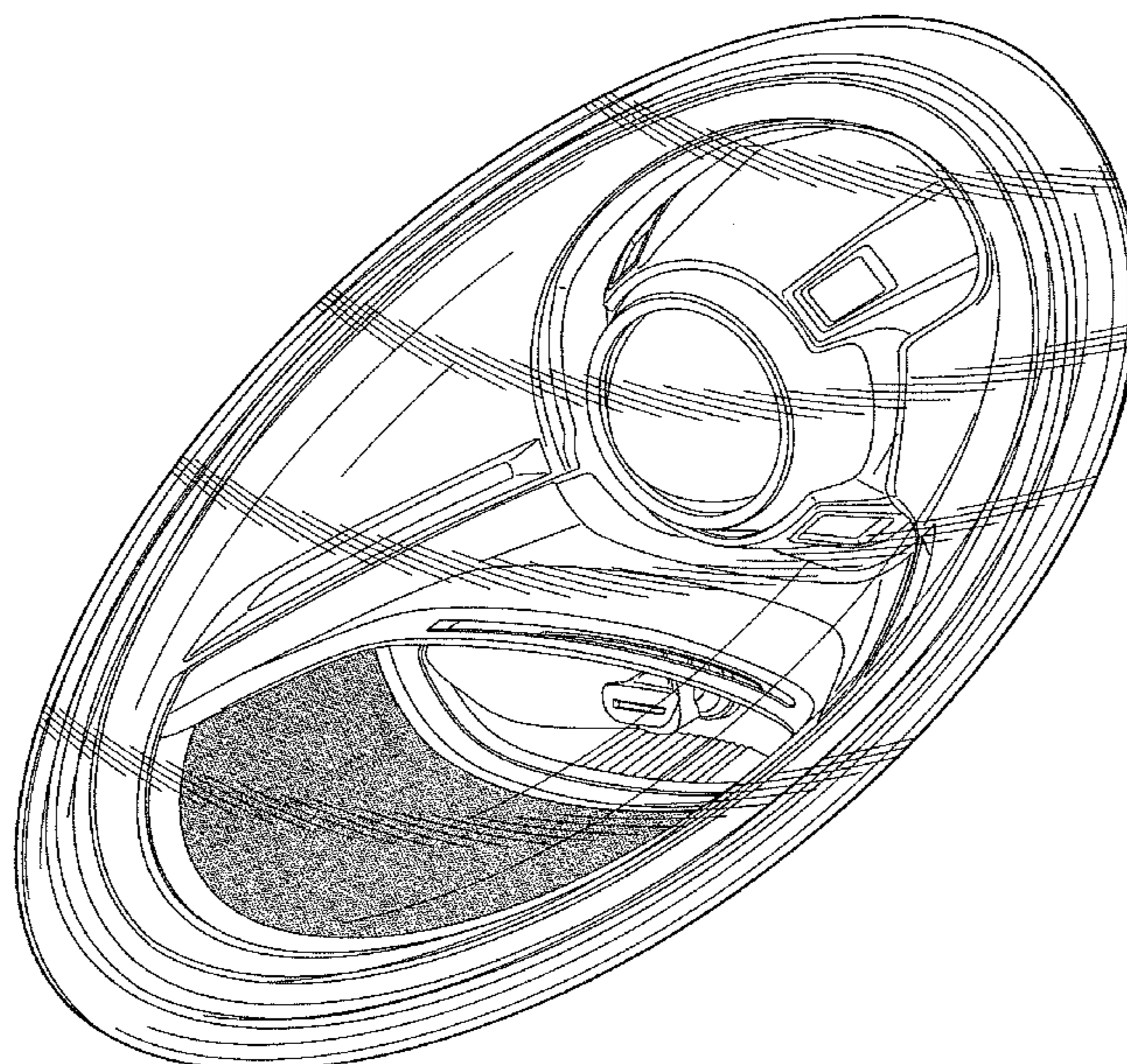
(57) **CLAIM**

The ornamental design of a lighting device for a motor vehicle, as shown and described.

DESCRIPTION

FIG. 1 is a front perspective view of a lighting device for a motor vehicle in accordance with my design;
FIG. 2 is a front elevational view thereof;
FIG. 3 is a rear elevational view thereof;
FIG. 4 is a side elevational view taken from the right side in FIG. 1;
FIG. 5 is a side elevational view taken from the left side in FIG. 1;
FIG. 6 is a top plan view thereof; and,
FIG. 7 is a bottom plan view thereof.
The broken line portions shown in FIGS. 3 through 5 and 7 illustrate environmental subject matter only and form no part of the claimed design.

1 Claim, 7 Drawing Sheets



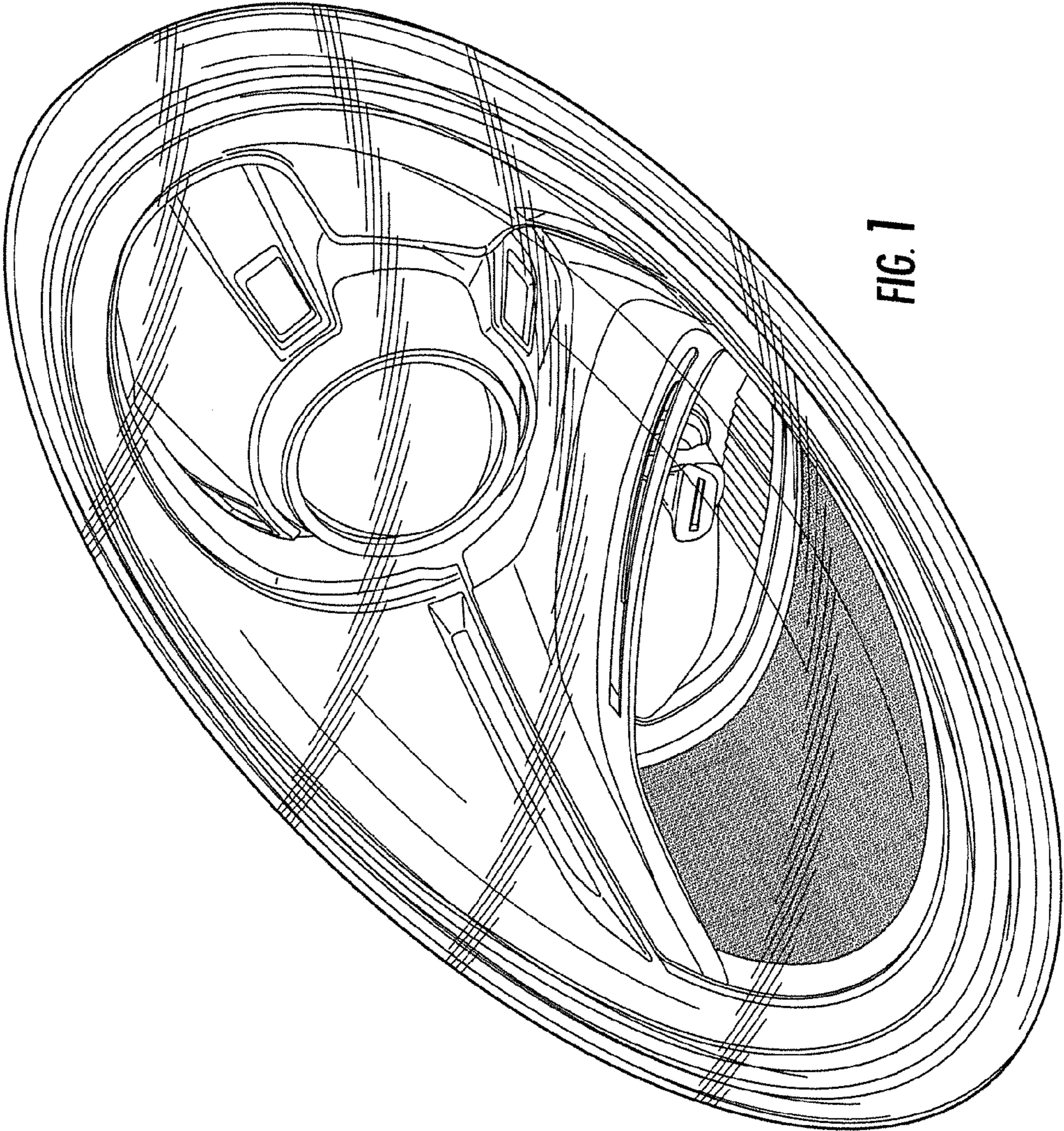


FIG. 1

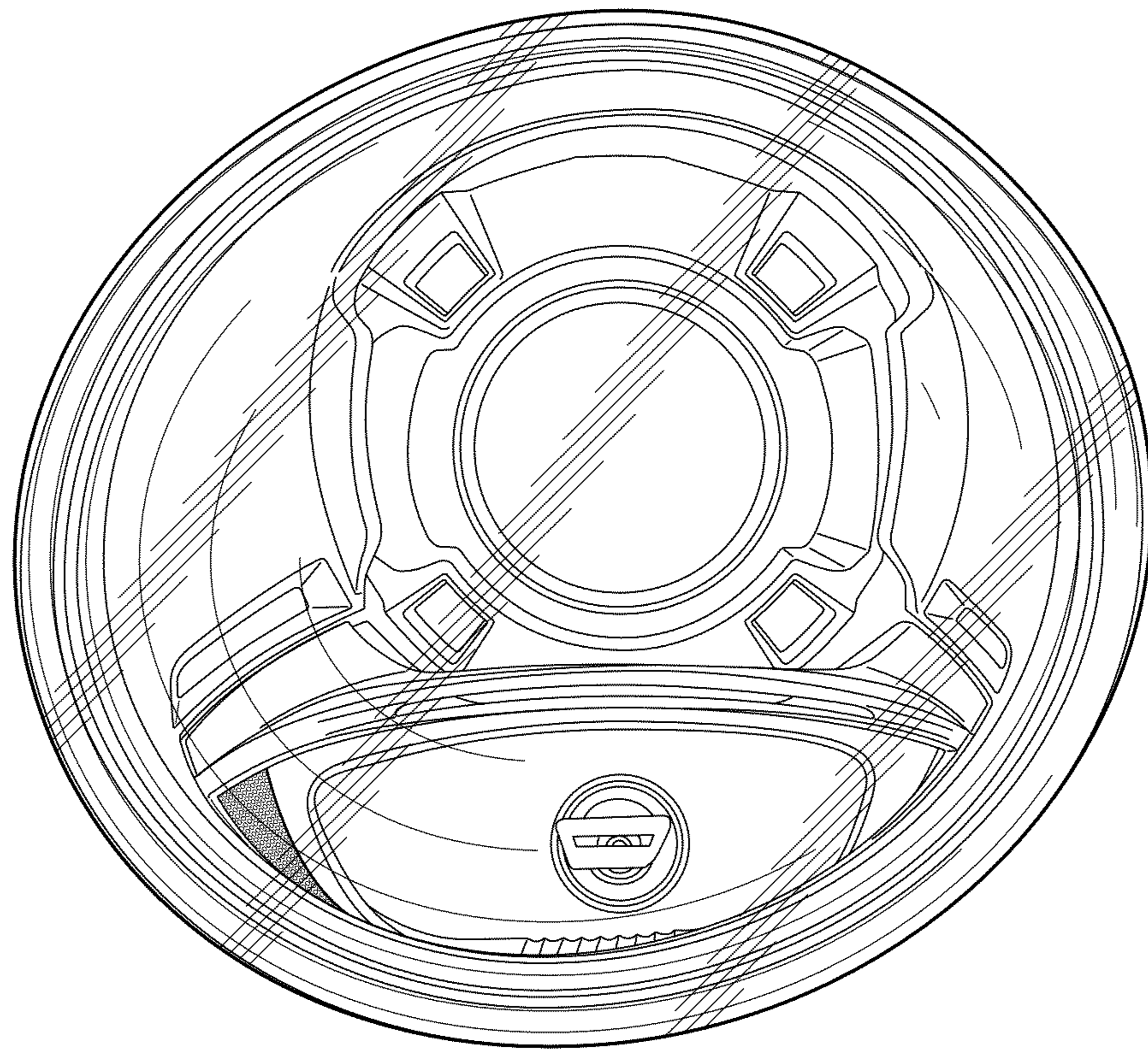


FIG. 2

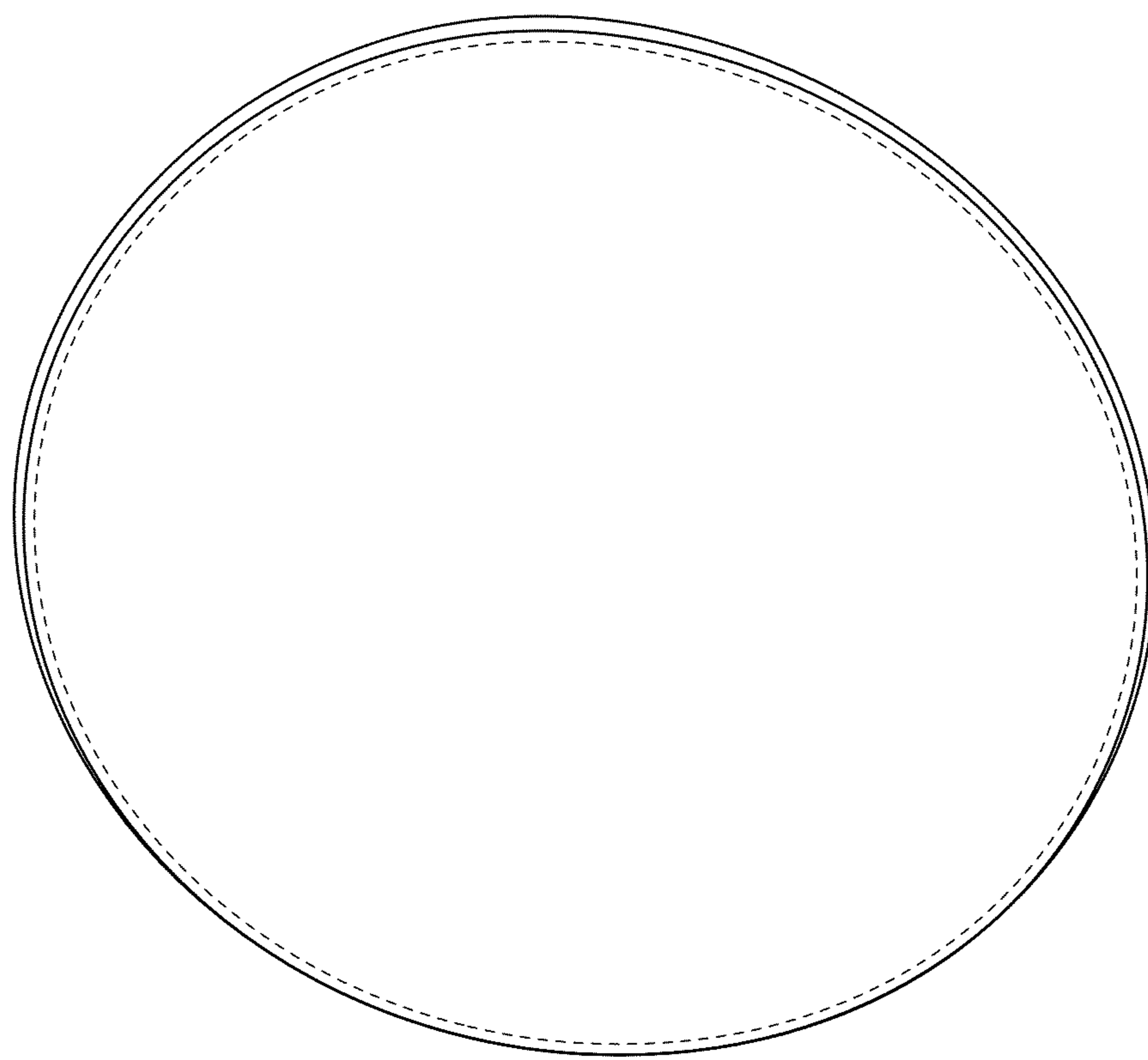


FIG. 3

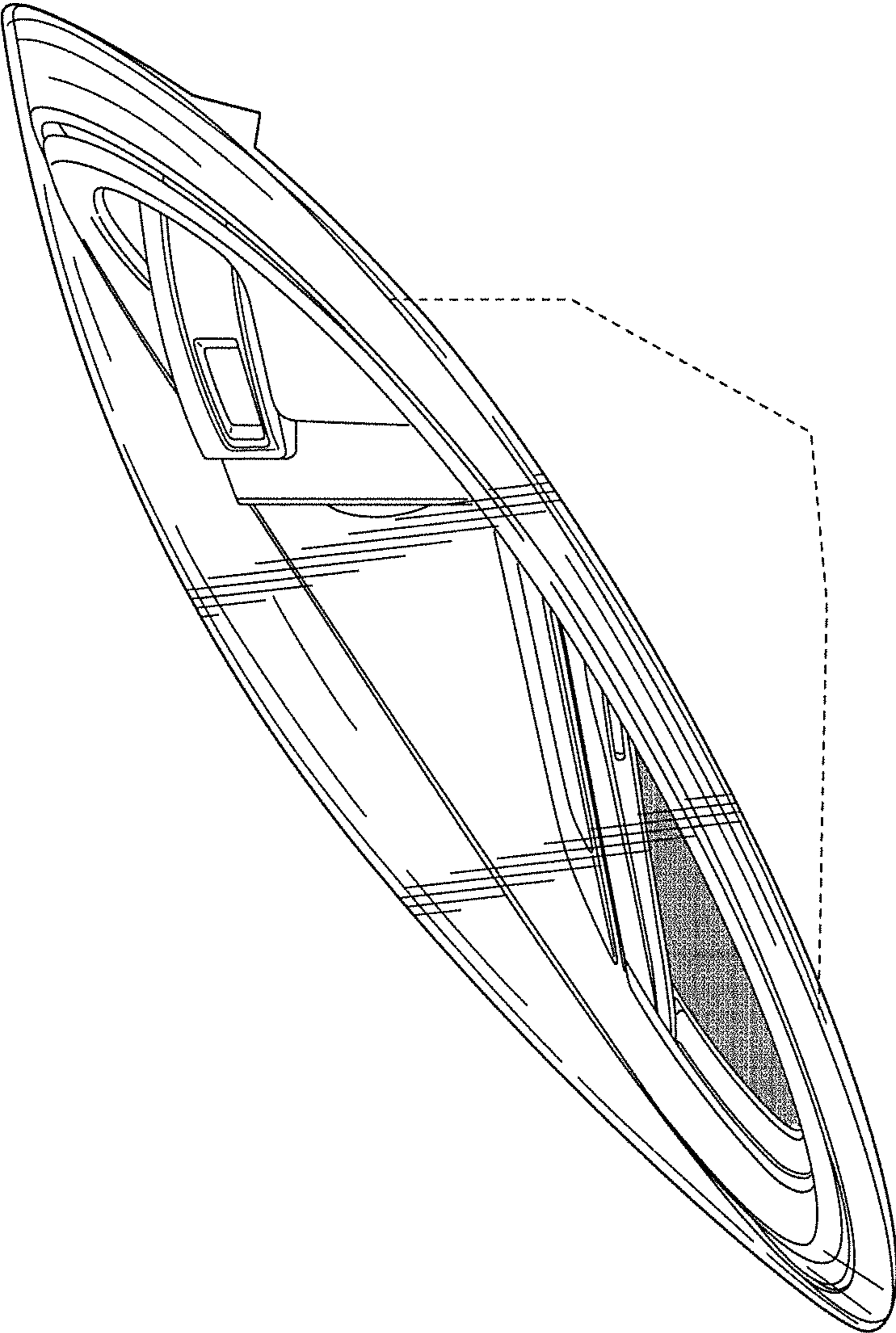


FIG. 4

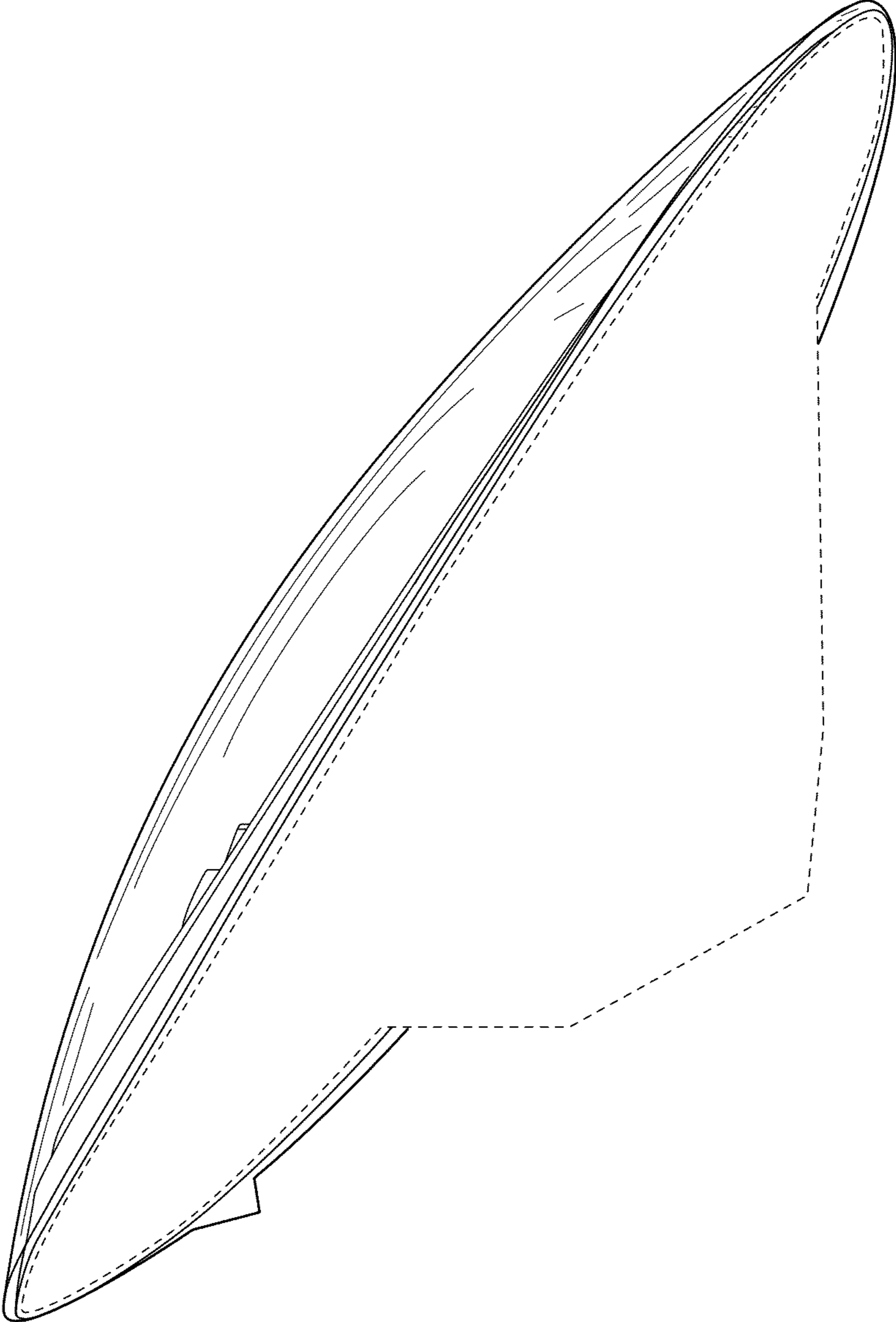


FIG. 5

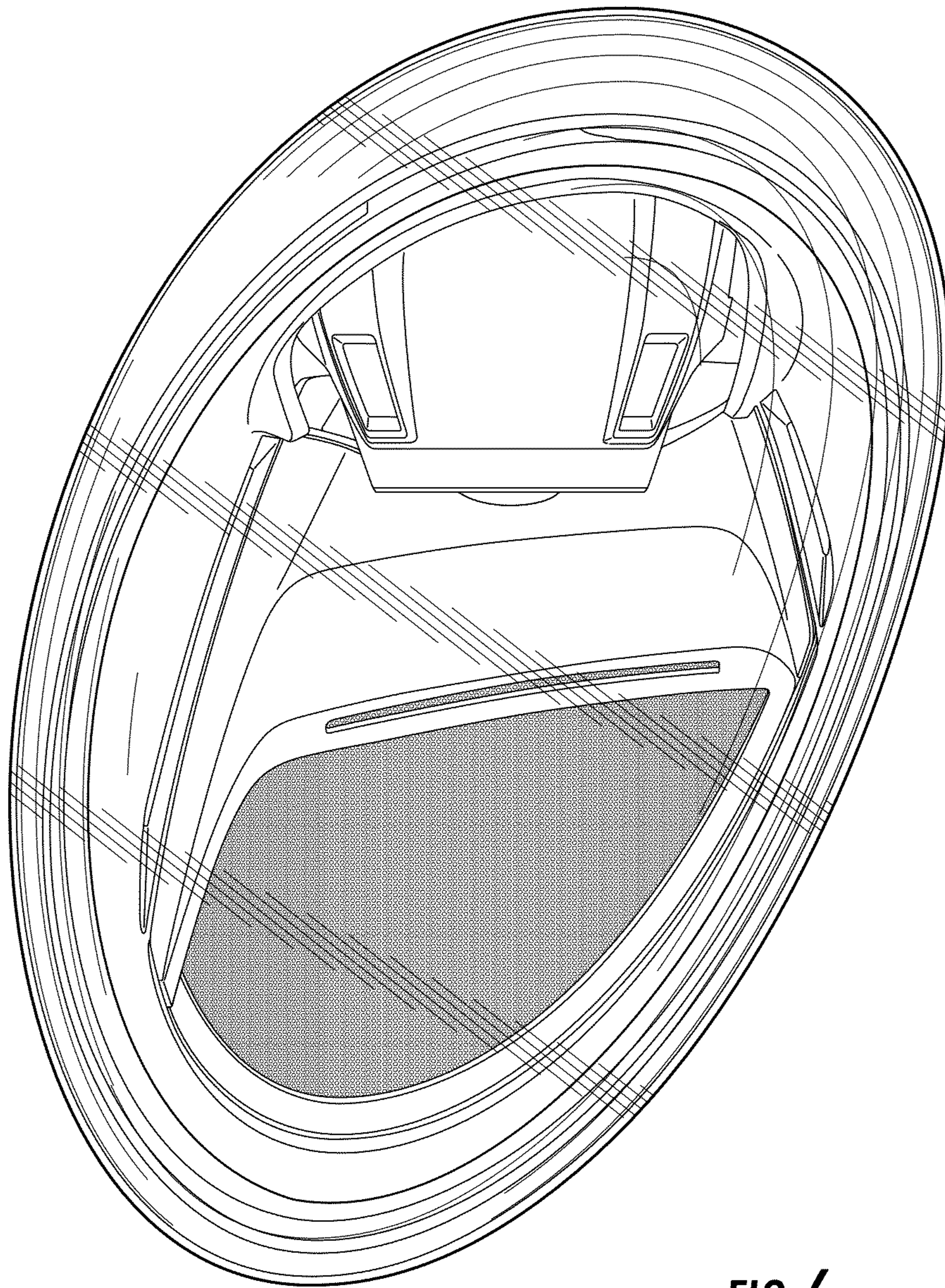


FIG. 6



FIG. 7