



US00D745194S

(12) **United States Design Patent**
Lee et al.

(10) **Patent No.:** **US D745,194 S**
(45) **Date of Patent:** **** Dec. 8, 2015**

(54) **BASE FOR A LIGHT EMITTING UNIT**

(71) Applicant: **Formosa Epitaxy Incorporation**,
Taoyuan County (TW)
(72) Inventors: **Chen-Hong Lee**, Taoyuan County (TW);
Chi-Chih Pu, Taoyuan County (TW);
Lung-Kuan Lai, Taoyuan County (TW);
Wei-Kang Cheng, Taoyuan County
(TW); **Shyi-Ming Pan**, Taoyuan County
(TW)

(73) Assignee: **Formosa Epitaxy Incorporation**,
Taoyuan (TW)

(**) Term: **14 Years**

(21) Appl. No.: **29/461,964**

(22) Filed: **Jul. 30, 2013**

(30) **Foreign Application Priority Data**

Feb. 1, 2013 (TW) 102300922

(51) **LOC (10) Cl.** **26-04**

(52) **U.S. Cl.**
USPC **D26/1**

(58) **Field of Classification Search**
USPC D26/1-4; D13/180; 257/79, 80, 81,
257/88-100; 313/313-318; 362/249.02,
362/555, 802

See application file for complete search history.

(56) **References Cited**

U.S. PATENT DOCUMENTS

7,585,090 B2 * 9/2009 Wu 362/249.02
8,083,375 B2 * 12/2011 Kong 362/249.02
D667,972 S * 9/2012 Sakamoto et al. D26/2
D668,365 S * 10/2012 Sakamoto et al. D26/2
8,282,240 B2 * 10/2012 Xiao et al. 362/249.02
D671,240 S * 11/2012 Sakamoto et al. D26/2
8,752,983 B2 * 6/2014 Hussell et al. 362/249.02

* cited by examiner

Primary Examiner — Marcus Jackson

(74) *Attorney, Agent, or Firm* — Jianq Chyun IP Office

(57) **CLAIM**

The ornamental design for a base for a light-emitting unit, as shown and described.

DESCRIPTION

FIG. 1 is a perspective view of a base for a light-emitting unit showing our new design;

FIG. 2 is a rear view thereof;

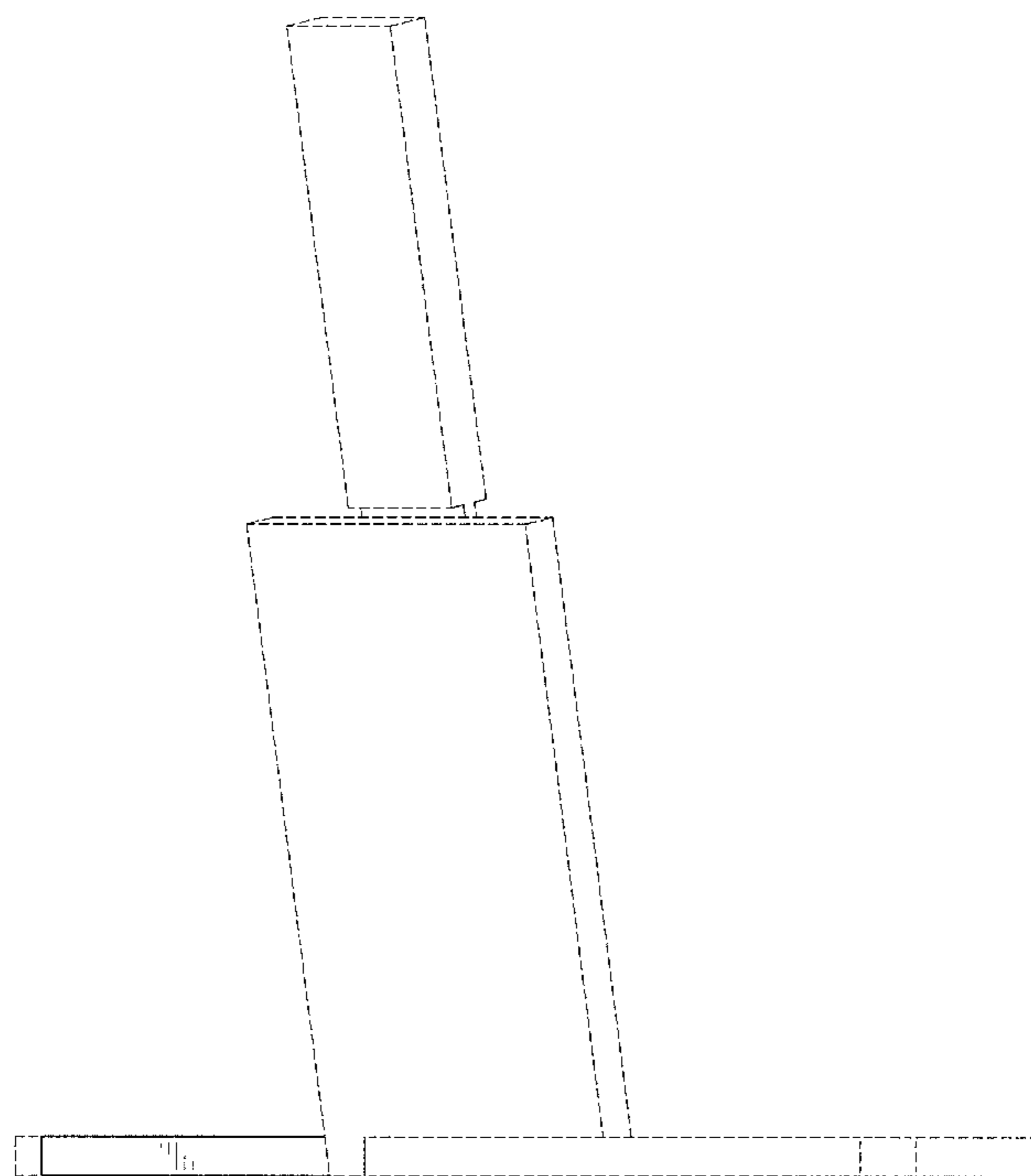
FIG. 3 is a left side view thereof;

FIG. 4 is a top view thereof; and,

FIG. 5 is a bottom view thereof.

The broken line portions of the base for the light-emitting unit in all views represent unclaimed portions of the claimed design and form no part thereof.

1 Claim, 5 Drawing Sheets



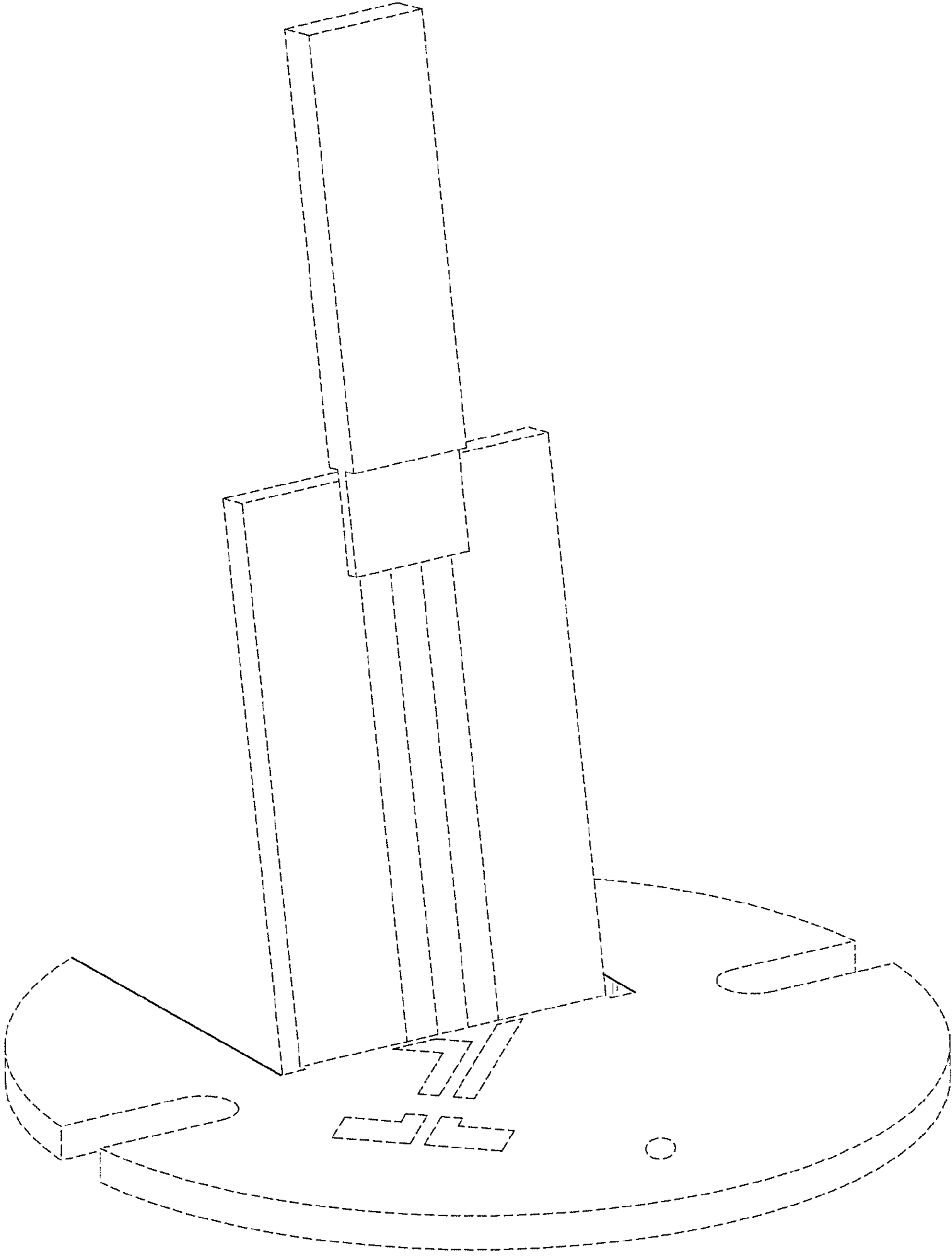


FIG. 1

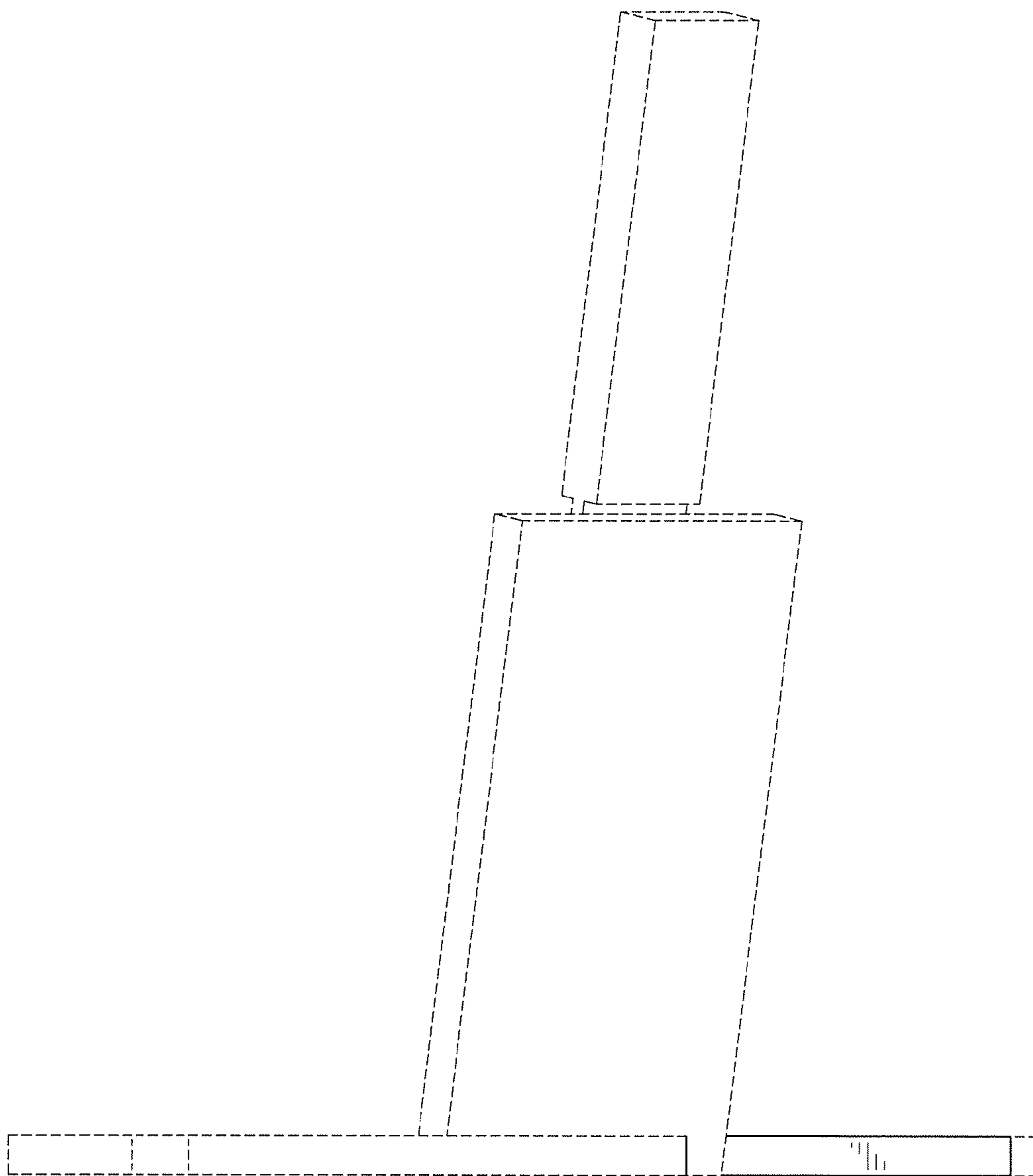


FIG. 2

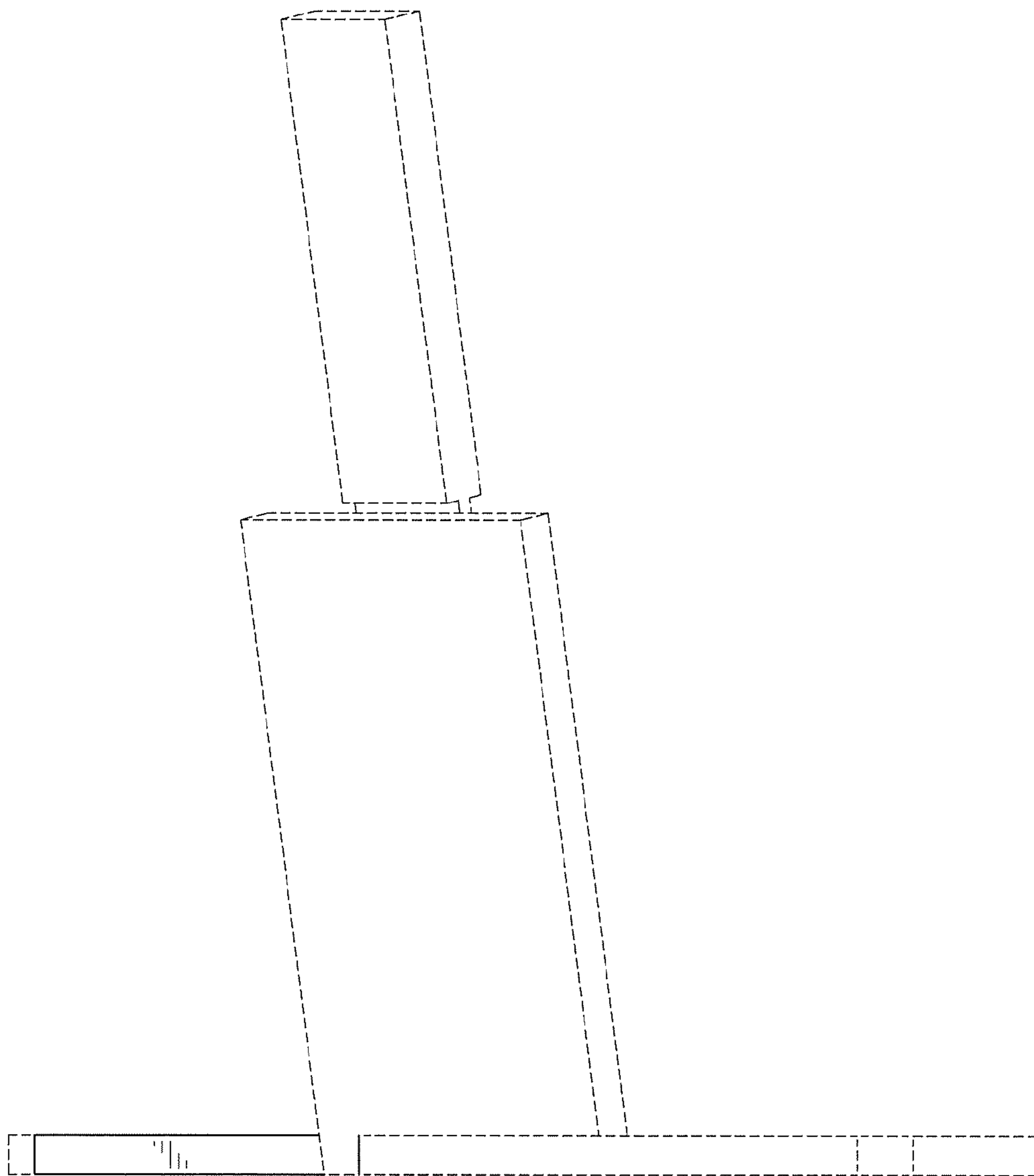


FIG. 3

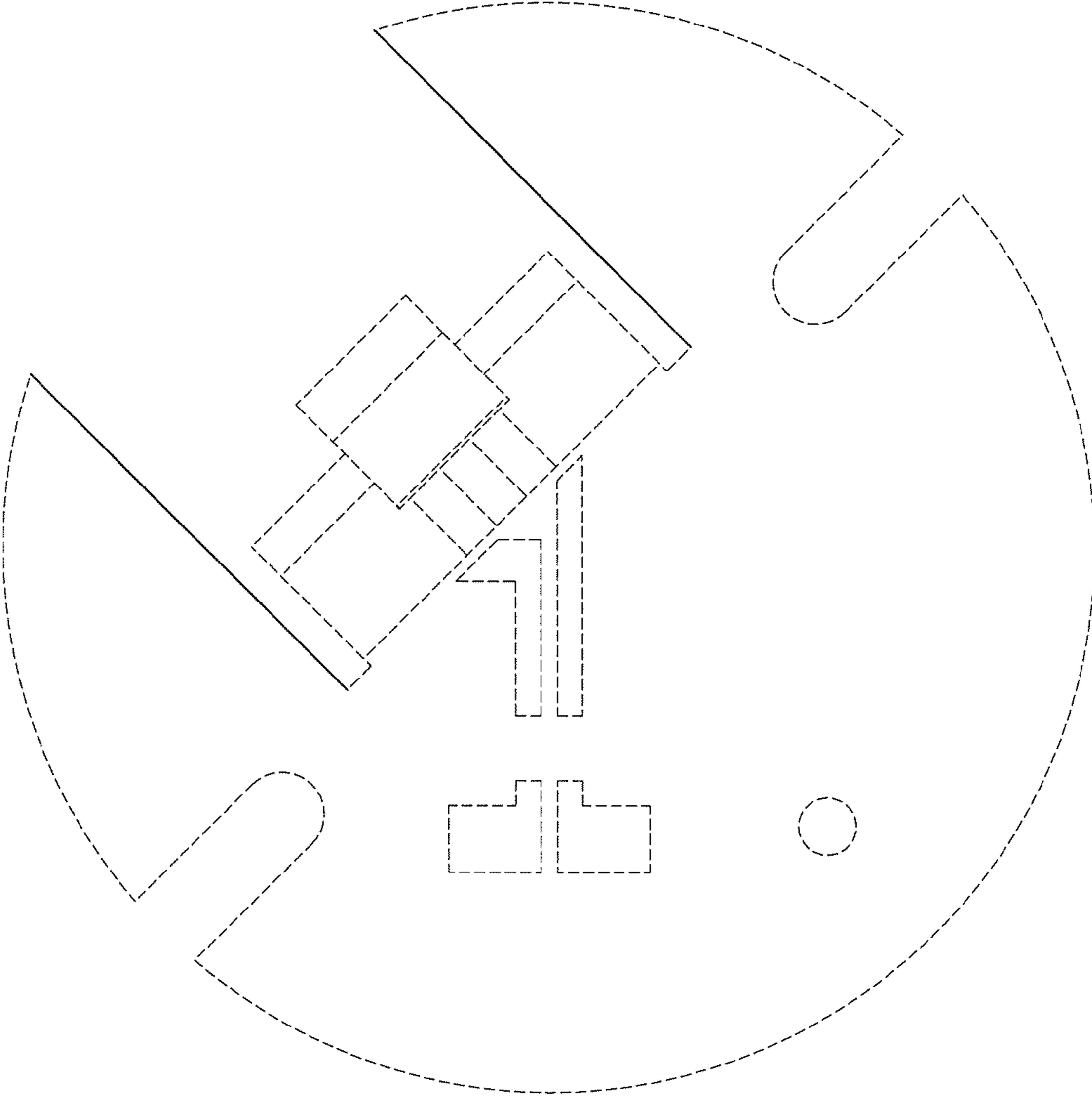


FIG. 4

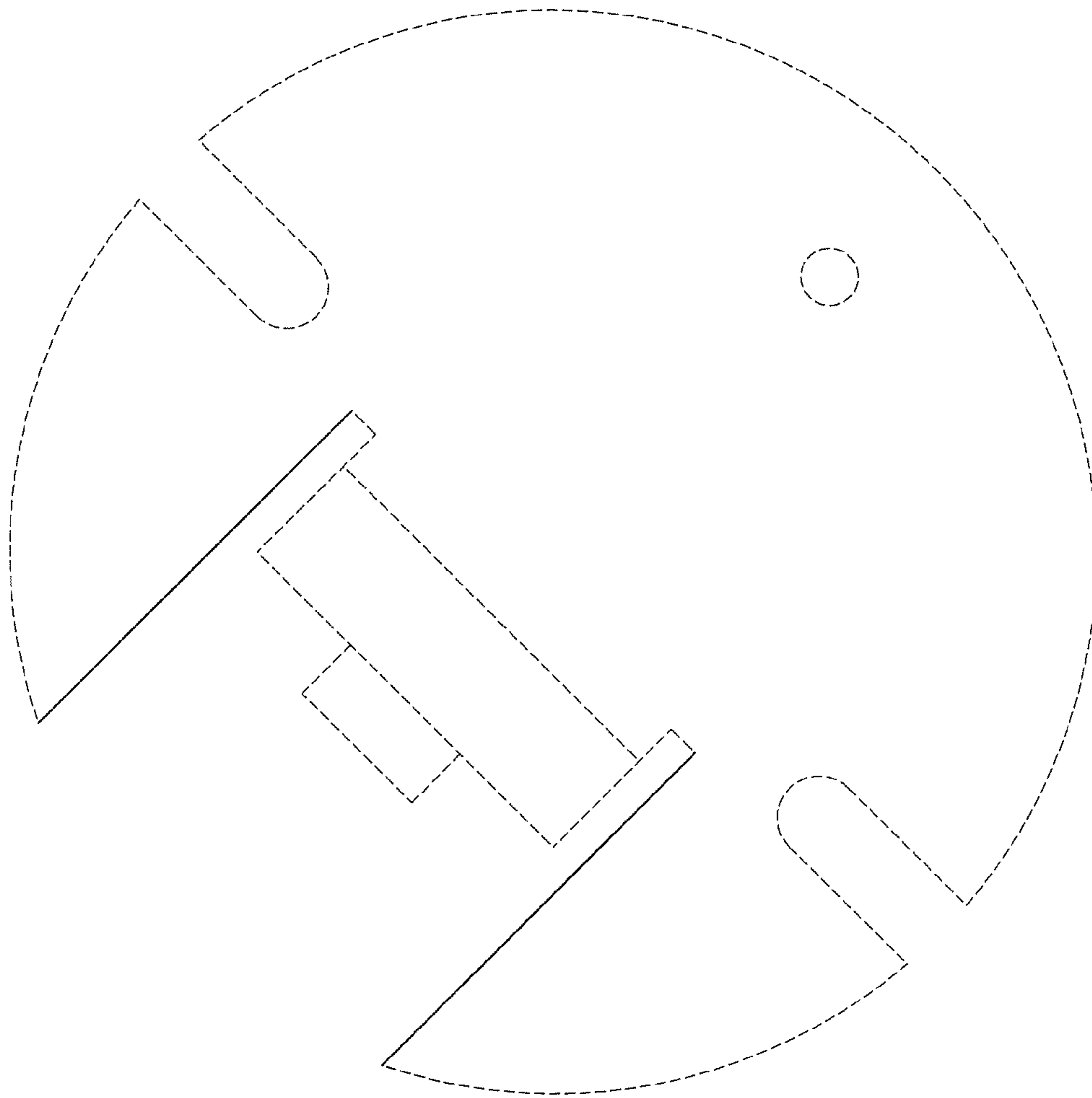


FIG. 5