



US00D745193S

(12) **United States Design Patent**
Ohshima et al.

(10) **Patent No.:** **US D745,193 S**

(45) **Date of Patent:** **** Dec. 8, 2015**

(54) **LID FOR OPENING PORTION OF FREE ACCESS FLOOR PANEL**

(56) **References Cited**

U.S. PATENT DOCUMENTS

(71) Applicants: **Hitachi Metals Techno, Ltd.**, Tokyo (JP); **Ishii Press Industries Co., Ltd.**, Koshigaya-shi, Saitama (JP)

D458,132	S	*	6/2002	Chang	D9/435
D503,225	S	*	3/2005	Rodolfo et al.	D23/393
D587,110	S	*	2/2009	Kronshage et al.	D9/759
7,537,119	B2	*	5/2009	Becklin	206/508
D597,653	S	*	8/2009	Calkins	D23/388
D636,098	S	*	4/2011	Reynolds et al.	D25/138
D659,201	S	*	5/2012	Glickman	D21/565
D714,637	S	*	10/2014	Cooper et al.	D9/424
D720,927	S	*	1/2015	Liao et al.	D3/273
D735,962	S	*	8/2015	Cruz et al.	D34/38
2013/0104464	A1	*	5/2013	Meyer	52/126.6
2015/0147135	A1	*	5/2015	Koch et al.	411/353

(72) Inventors: **Takashi Ohshima**, Kumagaya (JP); **Atsuhiko Kobayashi**, Tokyo (JP); **Tsukasa Matsuzaki**, Koshigaya (JP); **Yuichi Nakabo**, Koshigaya (JP)

* cited by examiner

(73) Assignee: **Hitachi Metals Techno, Ltd.**, Tokyo (JP)

Primary Examiner — Eric Goodman

Assistant Examiner — Amy Wierenga

(**) Term: **14 Years**

(74) *Attorney, Agent, or Firm* — Bacon & Thomas, PLLC

(21) Appl. No.: **29/484,837**

(57) **CLAIM**

The ornamental design for a lid for opening portion of free access floor panel, as shown and described.

(22) Filed: **Mar. 13, 2014**

DESCRIPTION

(30) **Foreign Application Priority Data**

Sep. 17, 2013 (JP) 2013-021507

(51) **LOC (10) Cl.** **25-01**

(52) **U.S. Cl.**
USPC **D25/138**

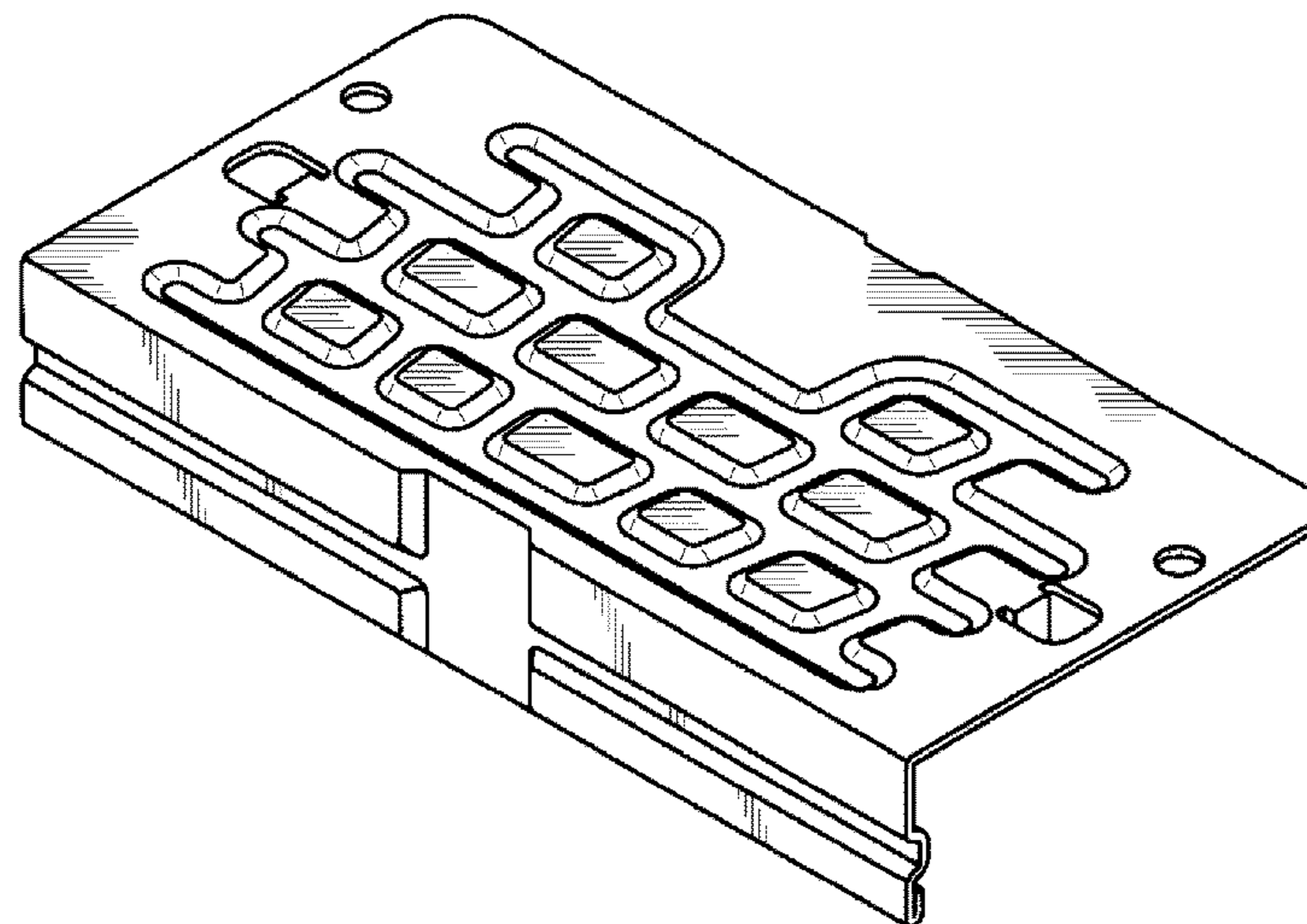
(58) **Field of Classification Search**
USPC D6/587; D9/420, 423, 435, 503, 780;
D25/48.1, 48.8, 119, 138, 139, 140,
D25/199

CPC E04B 5/48; E04C 2/00; E04C 2/38;
E04C 2/422; E04C 2/423; E04C 2/426;
E04F 15/02405; E04F 15/02458

See application file for complete search history.

FIG. 1 is a top perspective view of a lid for opening portion of free access floor panel, showing our new design;
FIG. 2 is a front elevational view thereof;
FIG. 3 is a rear elevational view thereof;
FIG. 4 is a left side elevational view thereof (right elevational view being a mirror image);
FIG. 5 is a top plan view thereof;
FIG. 6 is a bottom plan view thereof;
FIG. 7 is a sectional view taken along line 7-7 of FIG. 5;
FIG. 8 is a sectional view taken along line 8-8 of FIG. 5;
FIG. 9 is a top perspective view shown in the environment; and,
FIG. 10 is a top plan view shown in the environment.
The broken lines in the drawings depict environmental subject matter only and form no part of the claimed design.

1 Claim, 4 Drawing Sheets



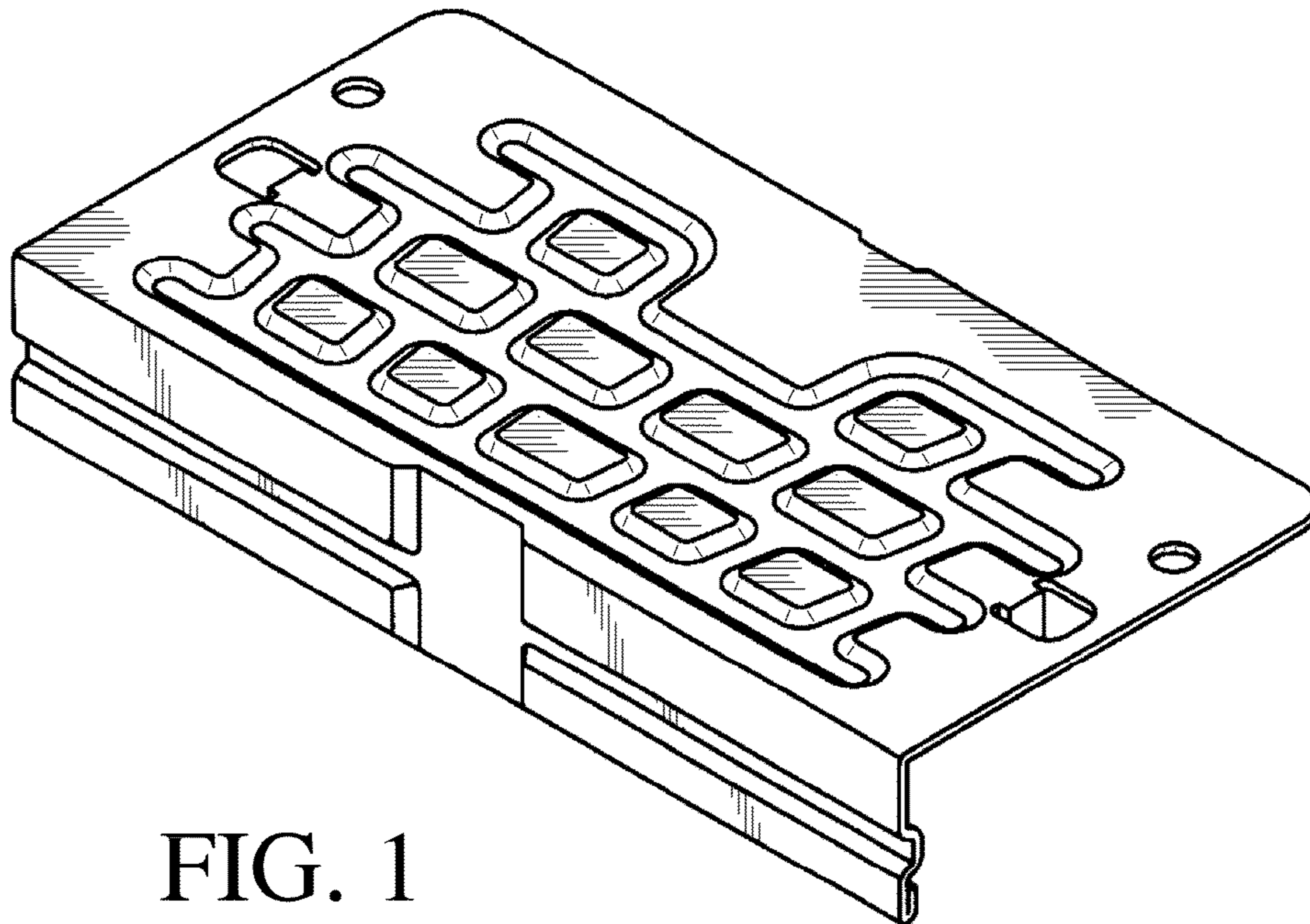


FIG. 1

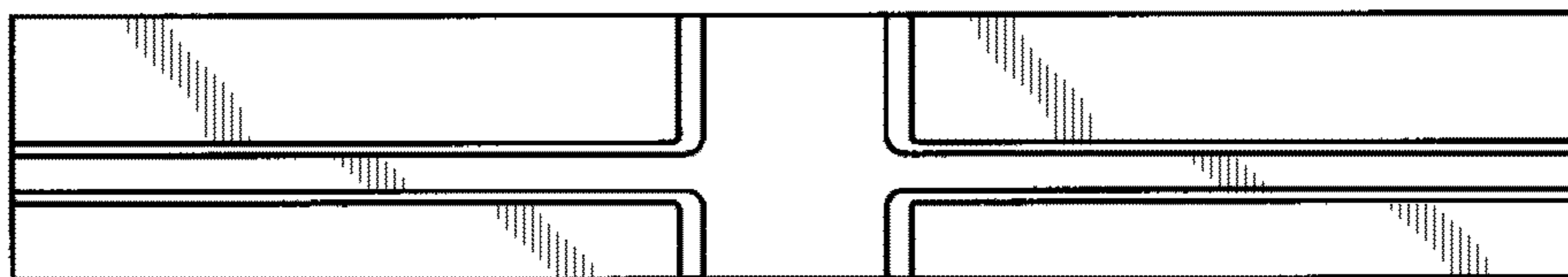


FIG. 2

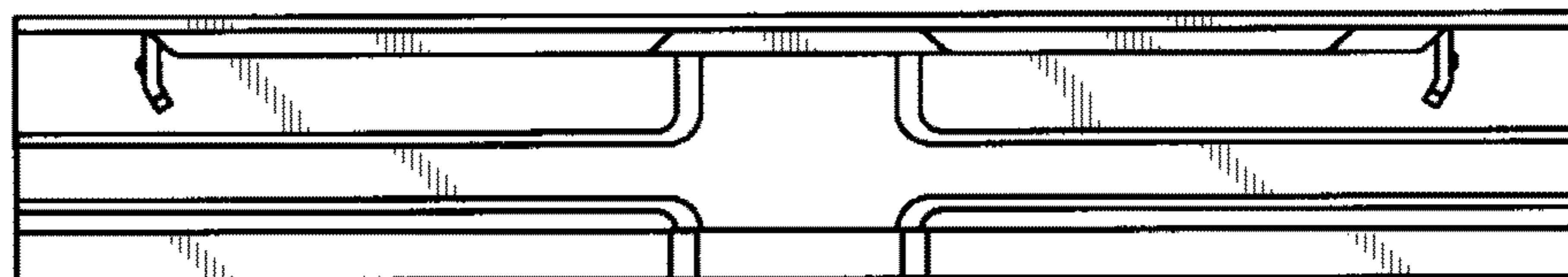


FIG. 3

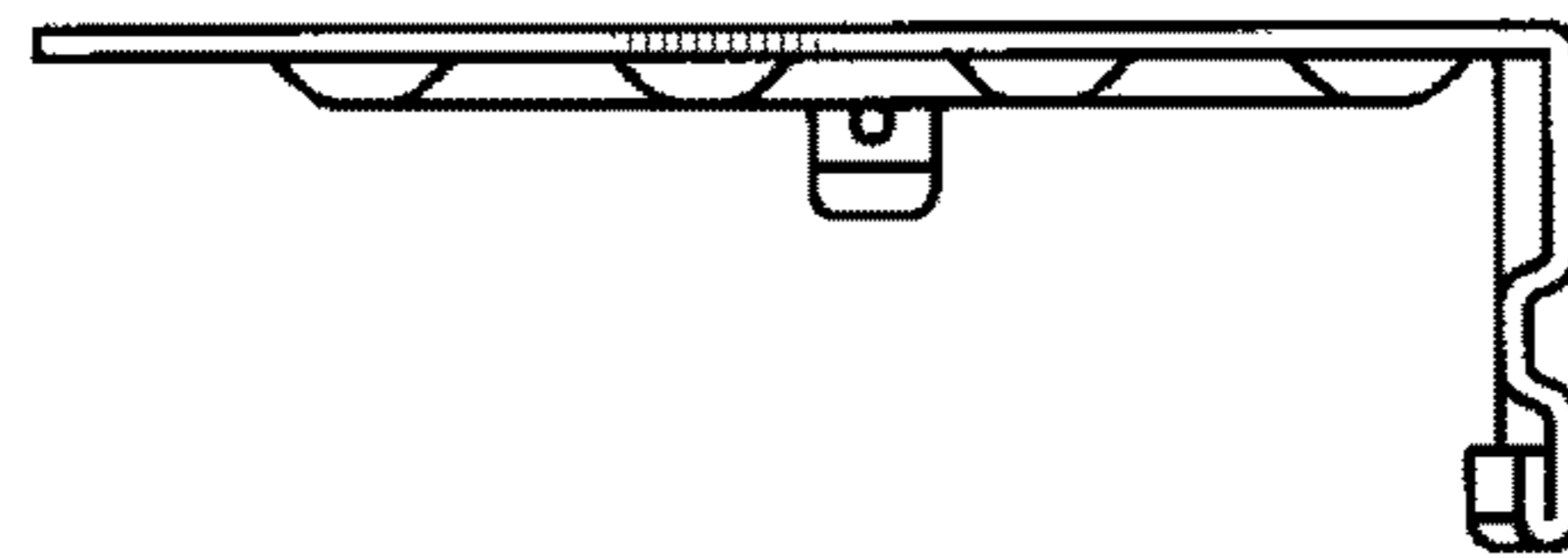


FIG. 4

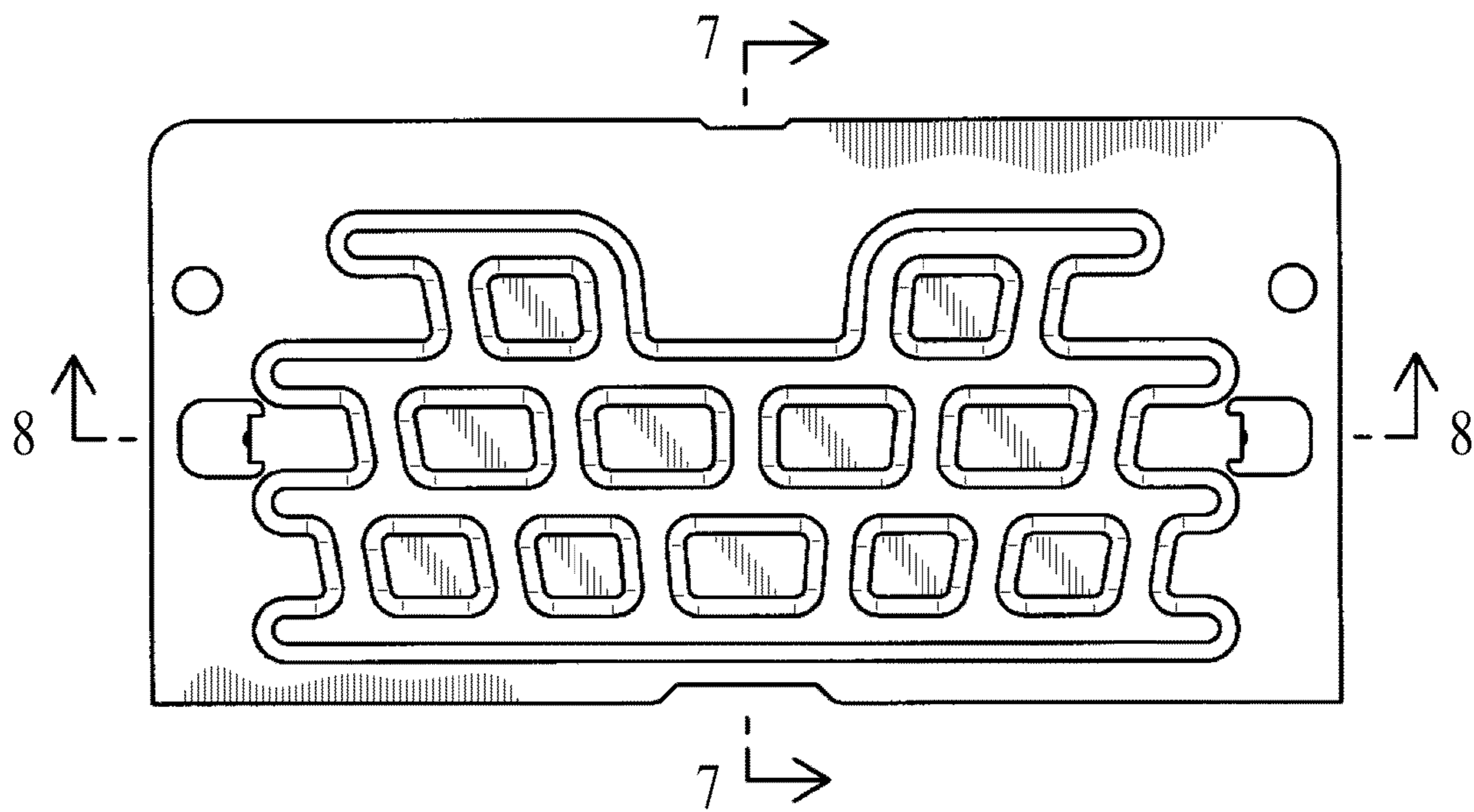


FIG. 5

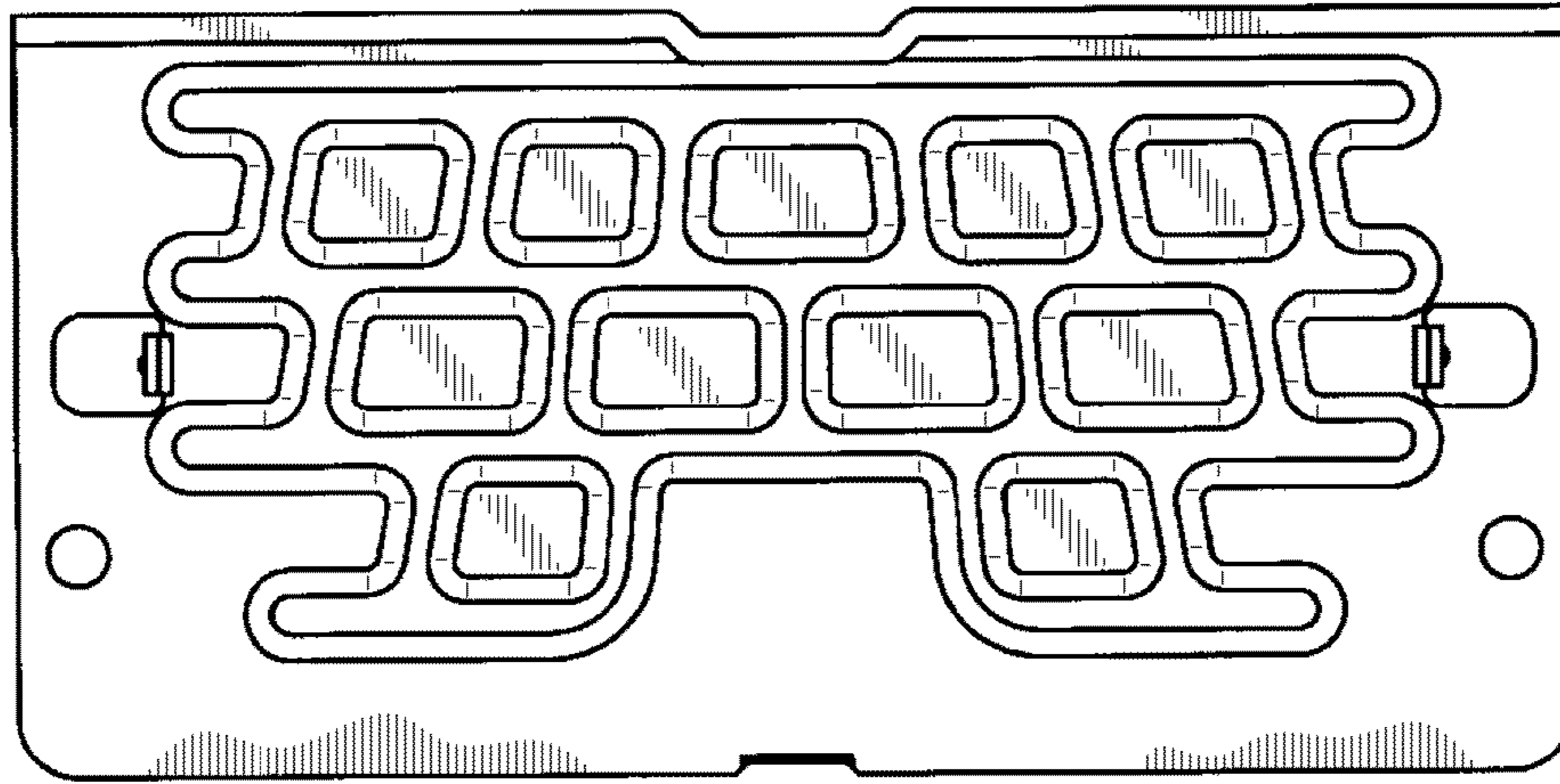


FIG. 6

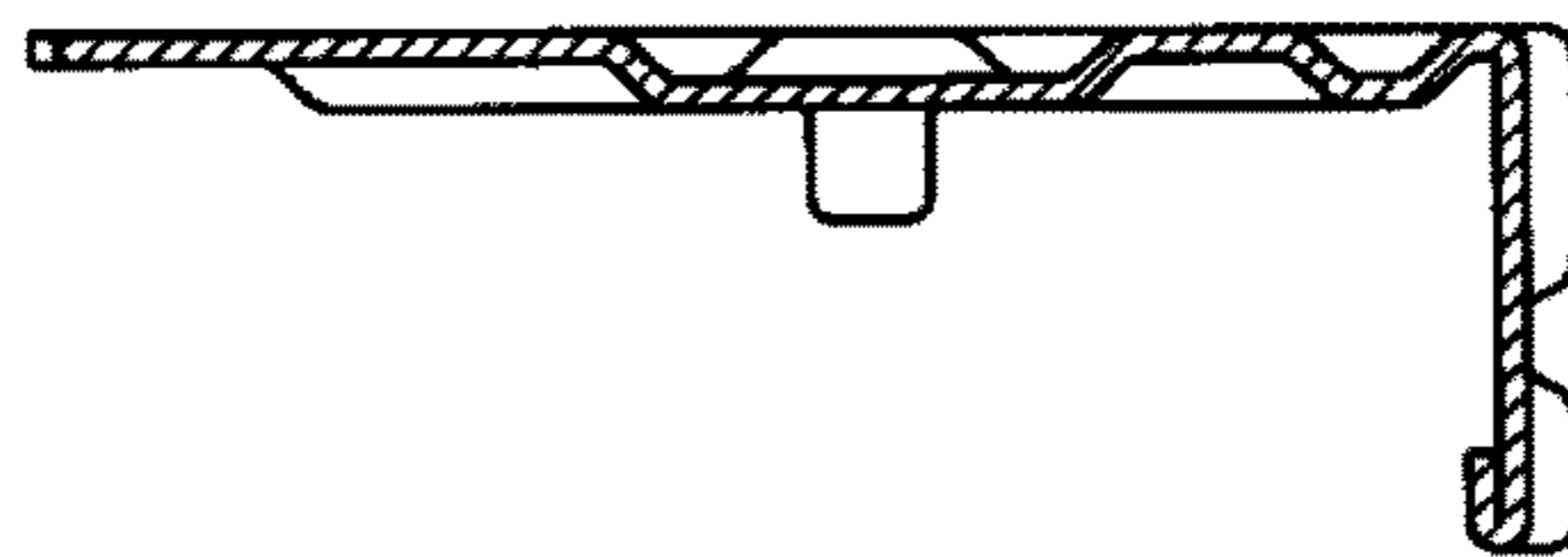


FIG. 7



FIG. 8

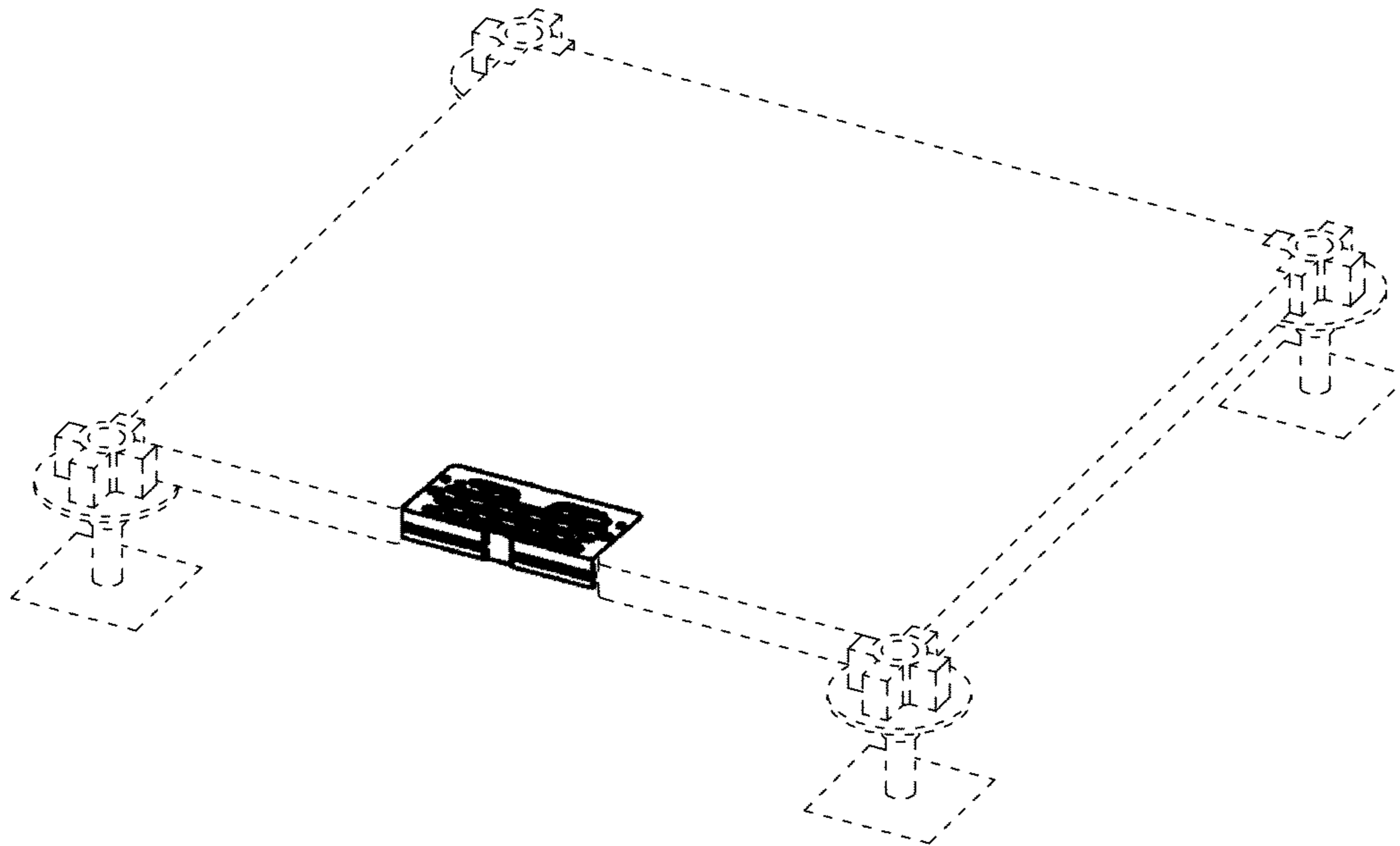


FIG. 9

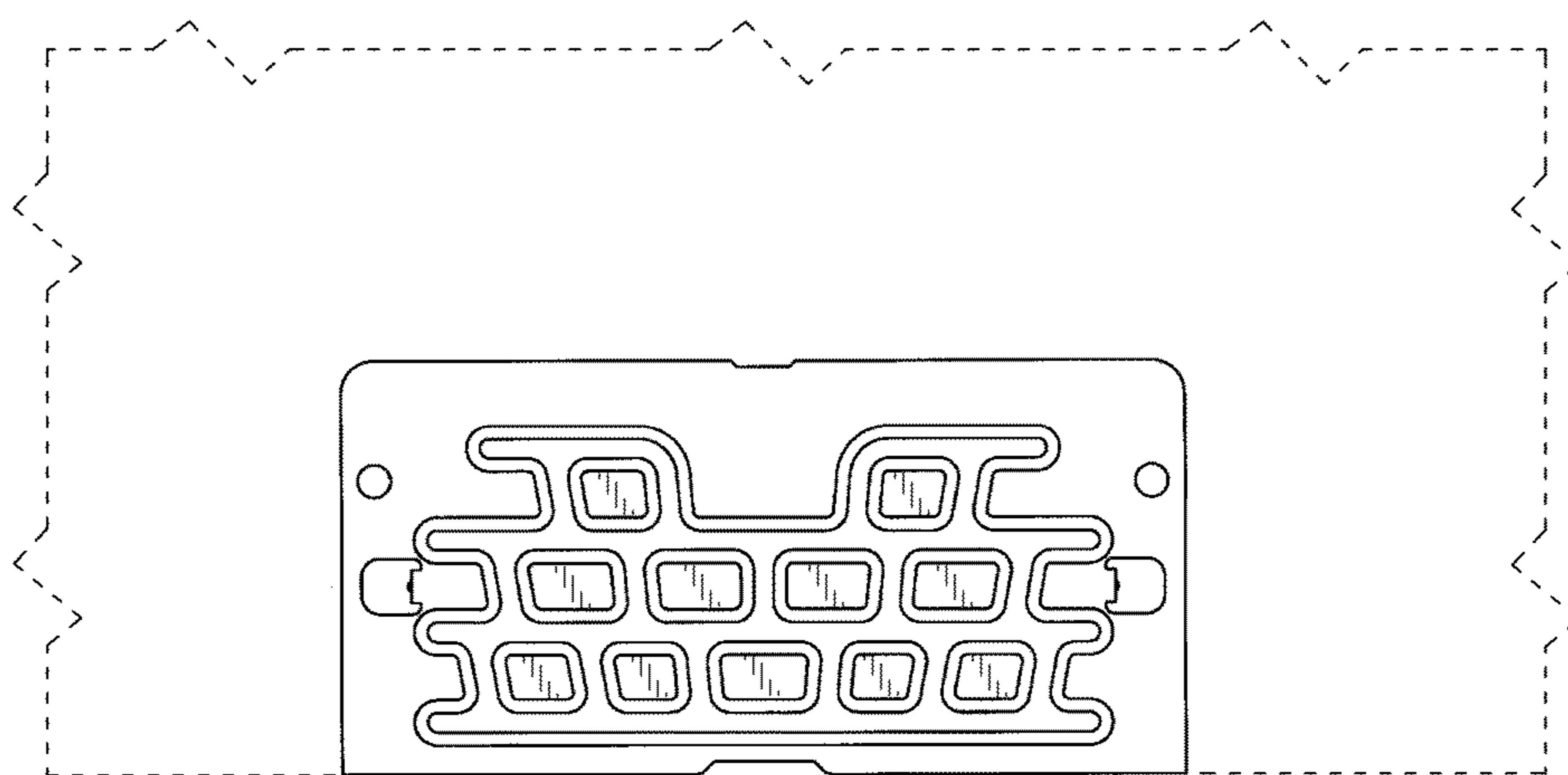


FIG. 10