



US00D745192S

(12) **United States Design Patent**
Suciu et al.

(10) **Patent No.:** **US D745,192 S**

(45) **Date of Patent:** **** Dec. 8, 2015**

(54) **FRAME TRIM EXTRUSION**

(56) **References Cited**

(71) Applicants: **Rebecca C. Suciu**, Lynn, MA (US);
Thomas P. Burrous, Haverhill, MA
(US); **Erik G. Zelbacher**, Lynn, MA
(US); **Alan L. Stenfors**, Scituate, MA
(US); **Paul P. Ellsworth**, Burlington,
MA (US); **Sidney Rose**, Marblehead,
MA (US)

U.S. PATENT DOCUMENTS

3,486,283	A *	12/1969	Arnett	52/255
4,857,670	A *	8/1989	Frank et al.	174/68.3
D304,619	S *	11/1989	Hockney	D25/119
D317,513	S *	6/1991	Miller et al.	D26/140
5,062,250	A *	11/1991	Buzzella	52/586.2
6,341,458	B1 *	1/2002	Burt	52/287.1
D466,233	S *	11/2002	Krieger	D25/136
6,588,155	B1 *	7/2003	Theune et al.	49/504
D525,371	S *	7/2006	Levi-Senigaglia	D25/119
D557,429	S *	12/2007	Bullock, Jr.	D25/119
D623,767	S *	9/2010	Antonic	D25/119
D679,419	S *	4/2013	Gori et al.	D25/119

(72) Inventors: **Rebecca C. Suciu**, Lynn, MA (US);
Thomas P. Burrous, Haverhill, MA
(US); **Erik G. Zelbacher**, Lynn, MA
(US); **Alan L. Stenfors**, Scituate, MA
(US); **Paul P. Ellsworth**, Burlington,
MA (US); **Sidney Rose**, Marblehead,
MA (US)

* cited by examiner

Primary Examiner — Prabhakar Deshmukh

(73) Assignee: **Rose Displays, Ltd**, Salem, MA (US)

(74) *Attorney, Agent, or Firm* — Don Halgren

(**) Term: **14 Years**

(57) **CLAIM**

The ornamental design for a frame trim extrusion, as shown and described.

(21) Appl. No.: **29/463,843**

DESCRIPTION

(22) Filed: **Mar. 17, 2014**

(51) **LOC (10) Cl.** **25-01**

(52) **U.S. Cl.**
USPC **D25/119**

(58) **Field of Classification Search**

USPC D25/119, 121, 56, 48.8, 120, 122;
52/507, 581, 579, 650.3, 656.8, 673,
52/674, 578, 87; 135/117, 906
CPC E04B 1/00; E04B 1/32; E04B 2/00;
E04B 7/00; E04B 9/00; E06B 1/04; E06B
1/12; E06B 1/20; E06B 5/00

FIG. 1 is a front elevational view of a frame trim extrusion showing our new design;

FIG. 2 is a rear elevational view thereof;

FIG. 3 is a right side elevational view thereof;

FIG. 4 is a top plan view thereof;

FIG. 5 is a left side elevational view thereof;

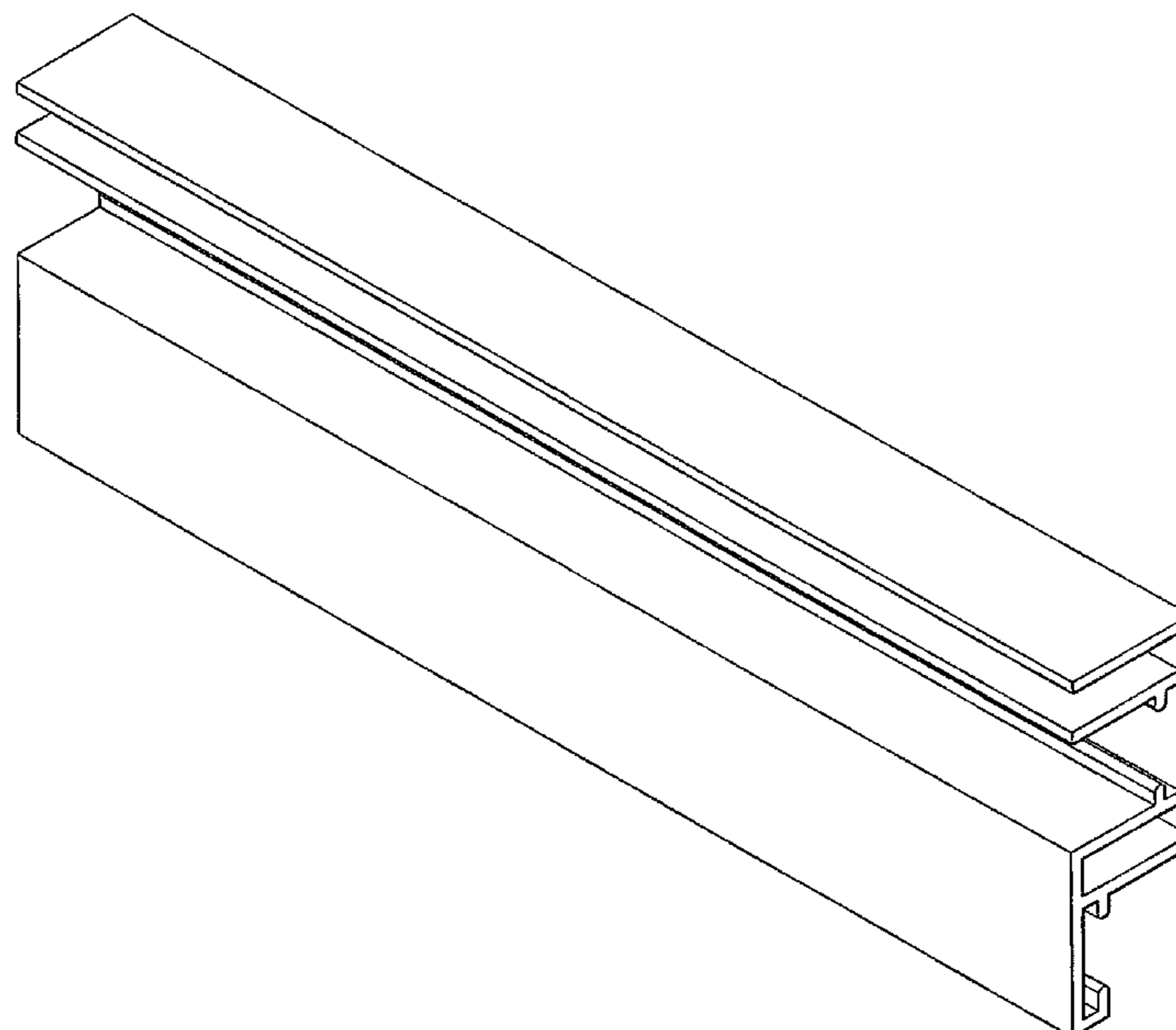
FIG. 6 is a bottom plan view thereof;

FIG. 7 is a top, front and left perspective view thereof; and,

FIG. 8 is a top, rear and right perspective view thereof.

See application file for complete search history.

1 Claim, 7 Drawing Sheets



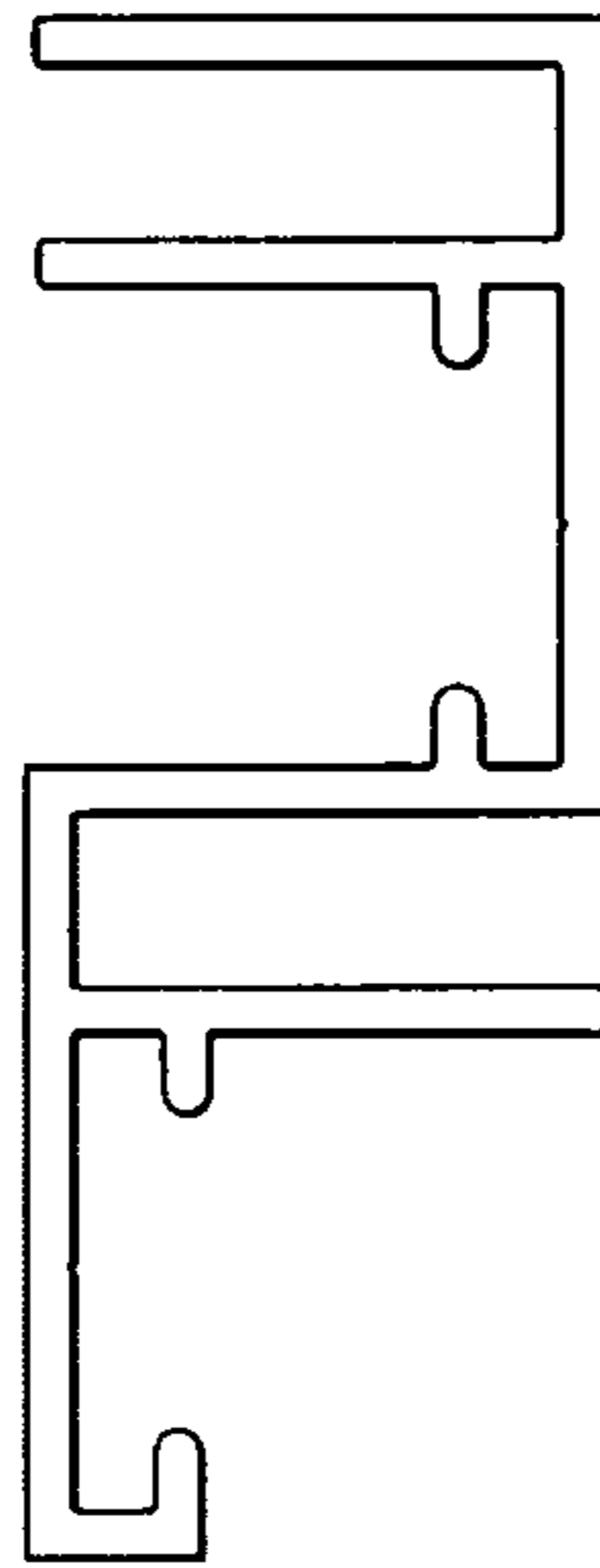


Fig. 1

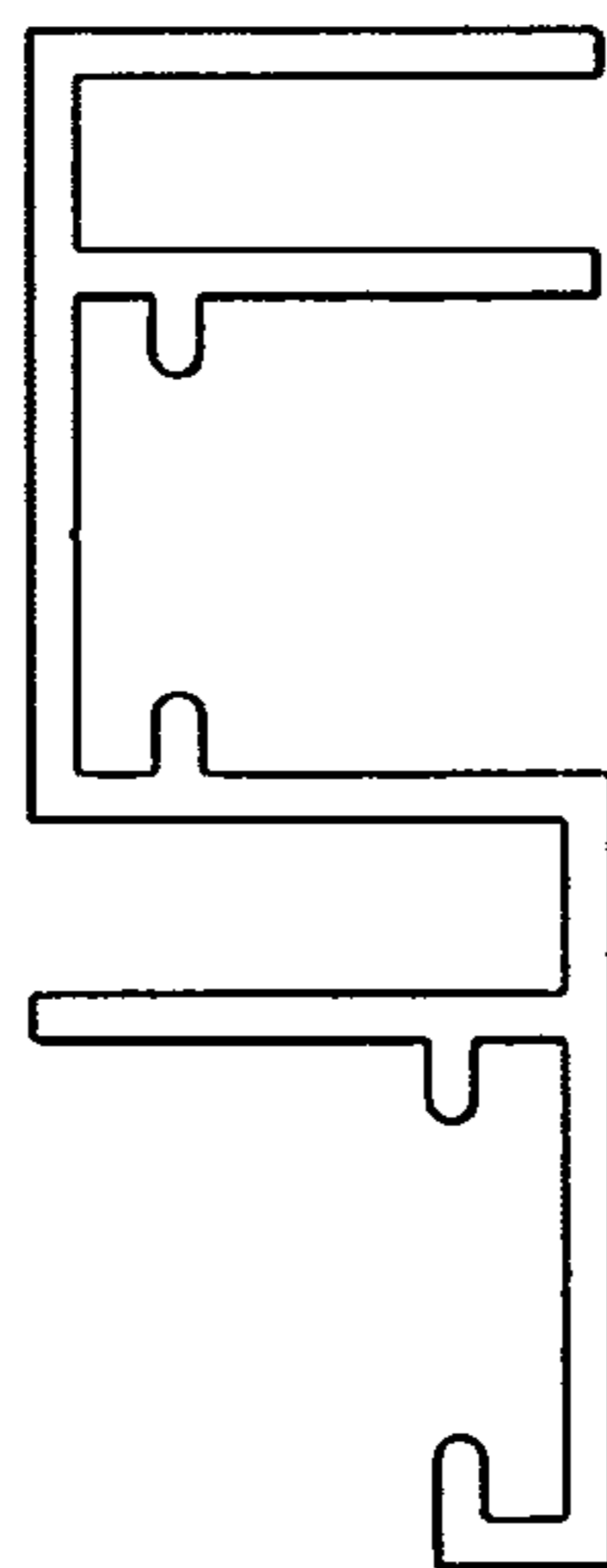


Fig. 2

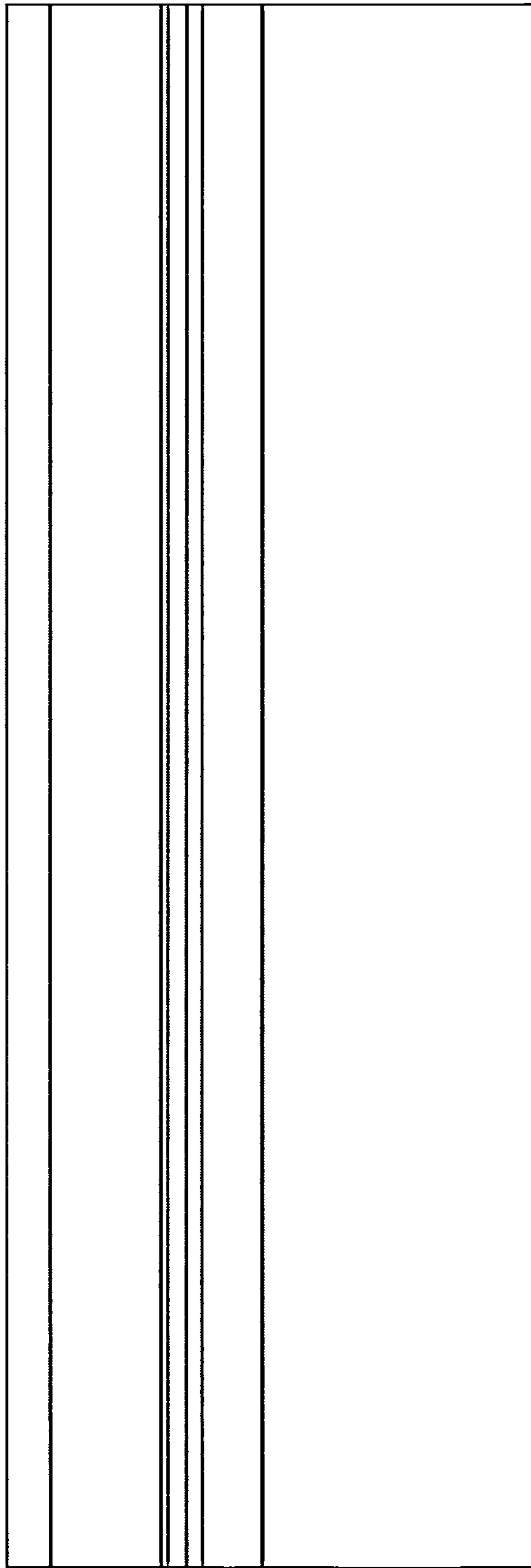


Fig. 3

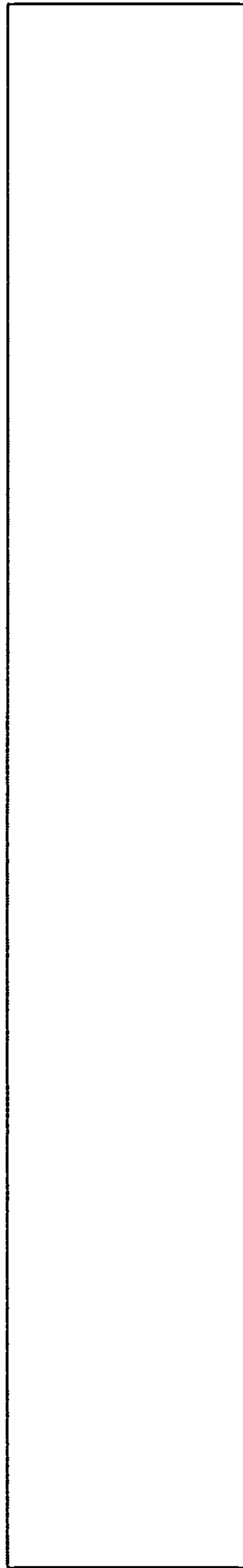


Fig. 4

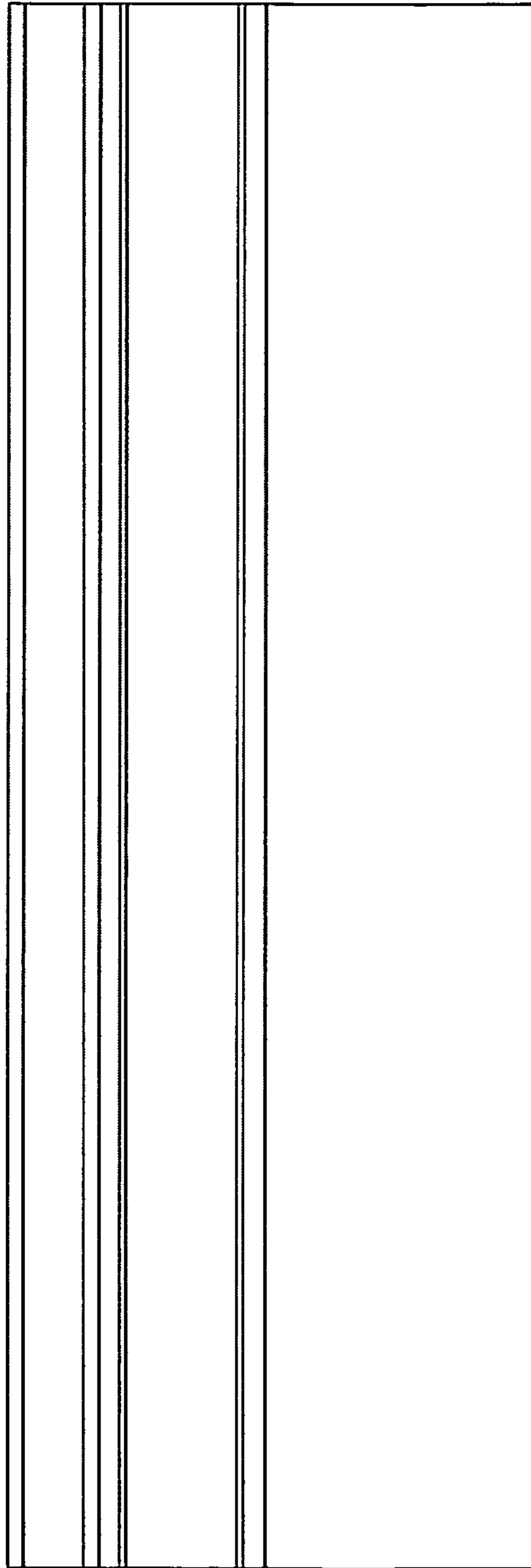


Fig. 5

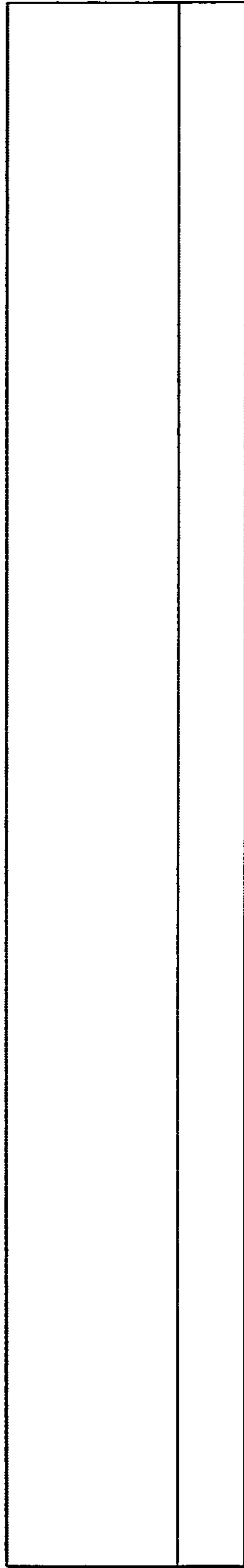


Fig. 6

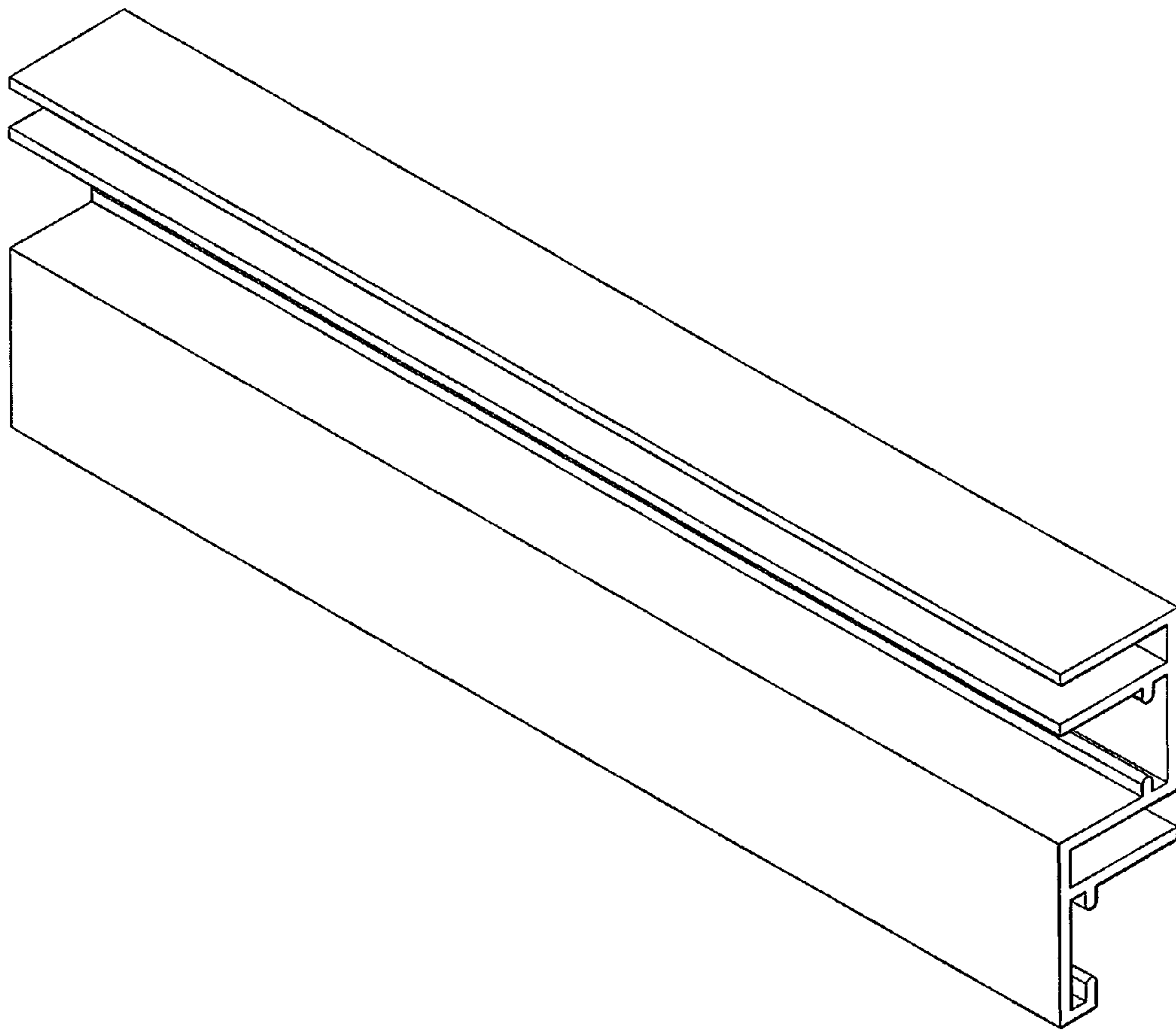


Fig. 7

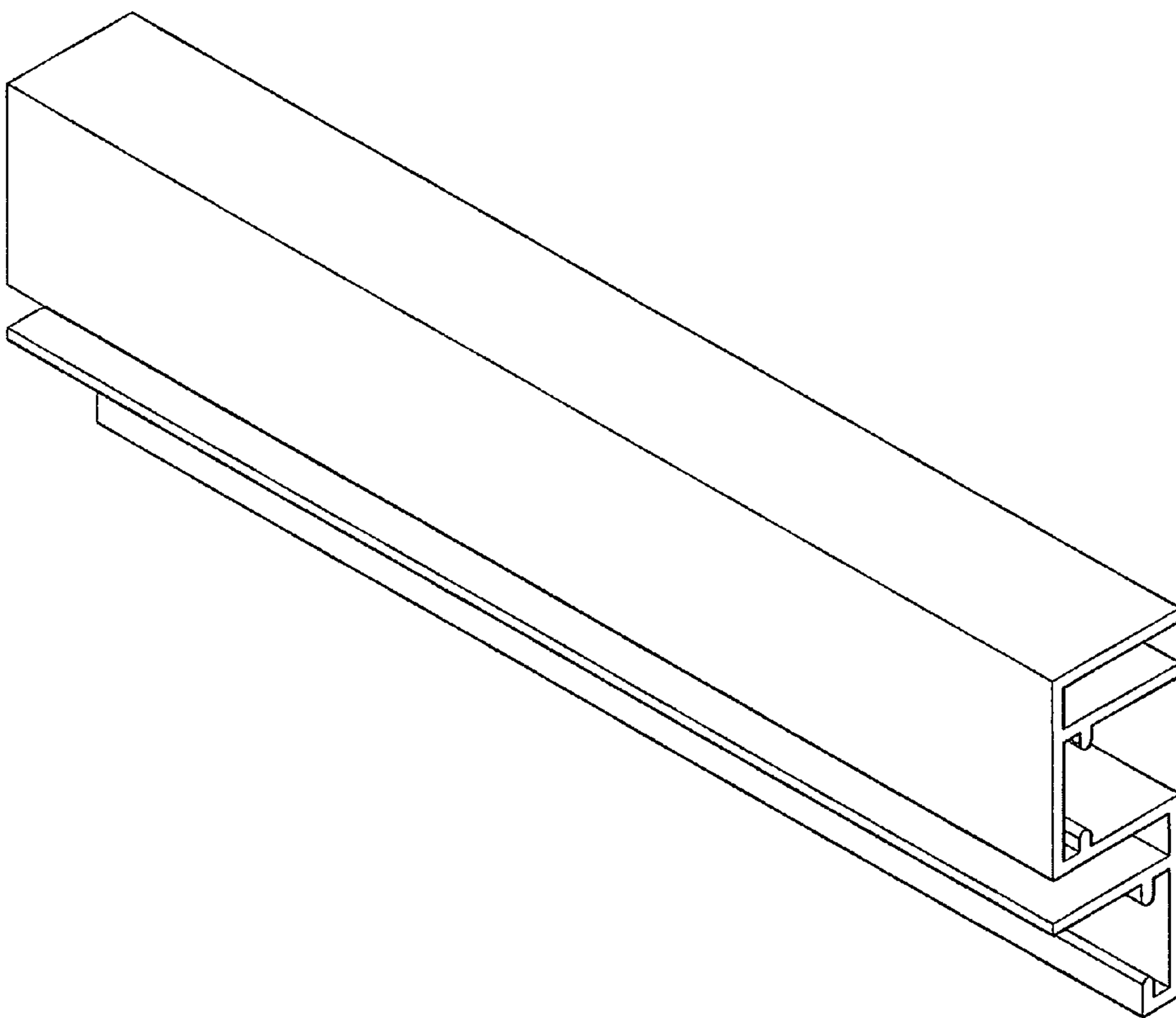


Fig. 8