



US00D745189S

(12) **United States Design Patent**  
**Stoesser et al.**

(10) **Patent No.:** **US D745,189 S**  
(45) **Date of Patent:** **\*\* Dec. 8, 2015**

- (54) **GARAGE DOOR SEAL**
- (71) Applicants: **James C. Stoesser**, Palatine, IL (US);  
**Fredy Cam-Koo**, Chicago, IL (US)
- (72) Inventors: **James C. Stoesser**, Palatine, IL (US);  
**Fredy Cam-Koo**, Chicago, IL (US)
- (\*\*) Term: **14 Years**
- (21) Appl. No.: **29/485,827**
- (22) Filed: **Mar. 24, 2014**
- (51) **LOC (10) Cl.** ..... **25-02**
- (52) **U.S. Cl.**  
USPC ..... **D25/48.2**; D25/125
- (58) **Field of Classification Search**  
USPC ..... D25/48.2, 125  
CPC ... E06B 3/88; E06B 7/098; E06B 2003/7044;  
E04B 1/68; E04B 7/16; E04B 7/205; E04B  
7/21; E04B 7/215; E04B 7/22; E04B 7/18;  
E04B 7/2309; E04B 7/26  
See application file for complete search history.

3,789,567 A \* 2/1974 Rae ..... E04B 1/68  
52/584.1  
D570,501 S \* 6/2008 Janesz ..... D25/119  
D697,640 S \* 1/2014 Ksiezopolski ..... D25/124  
D713,551 S \* 9/2014 Kelley ..... D25/48.2

**FOREIGN PATENT DOCUMENTS**

WO WO 2007081956 A2 \* 7/2007 ..... E05D 15/242

\* cited by examiner

*Primary Examiner* — Doris Clark

(57) **CLAIM**

The ornamental design for a garage door seal, as shown and described.

**DESCRIPTION**

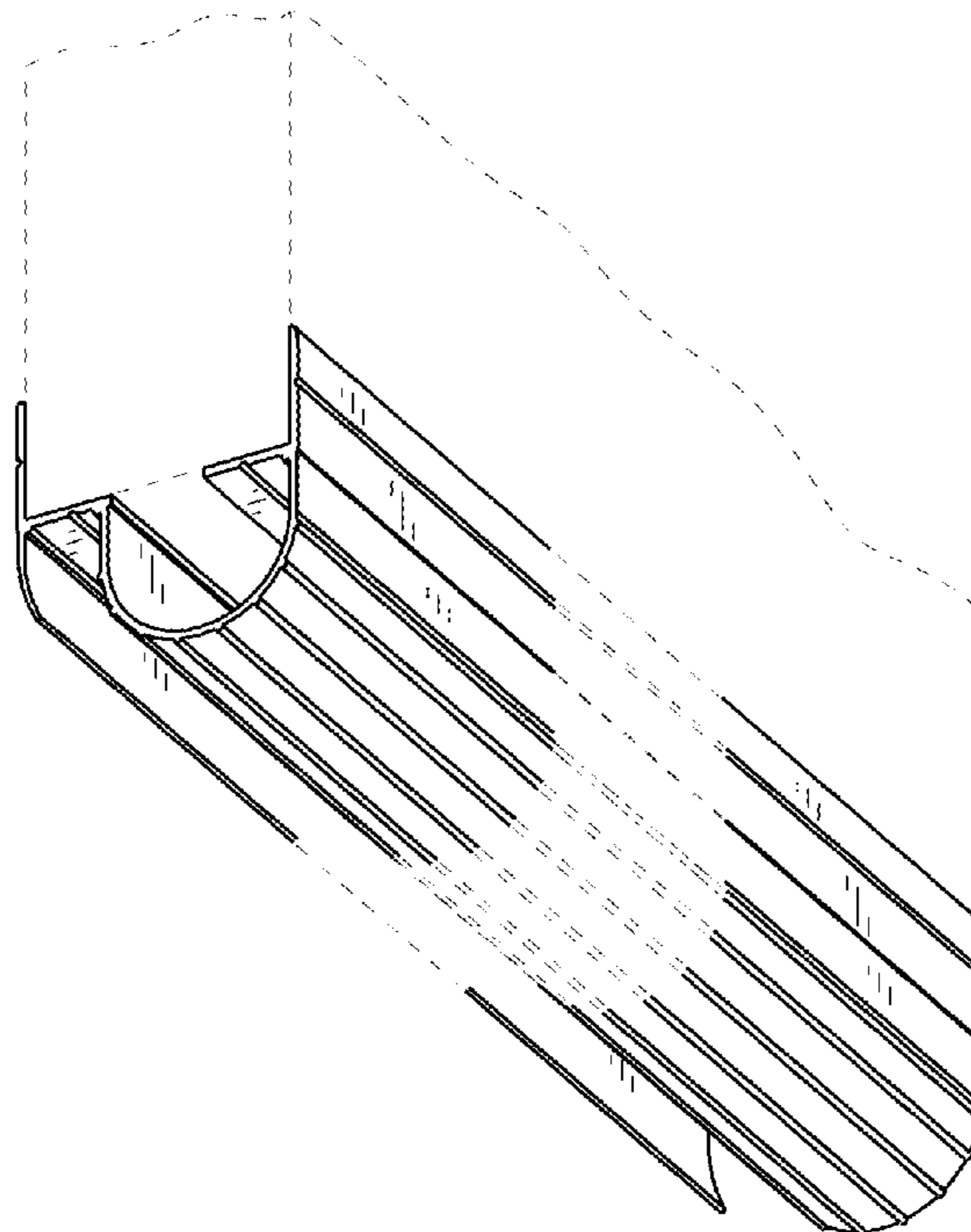
FIG. 1 is a perspective view of a garage door seal installed on an overhead door;  
 FIG. 2 is a perspective view of the garage door seal of FIG. 1, removed from the overhead door;  
 FIG. 3 is a front view of the garage door seal of FIG. 2;  
 FIG. 4 is a rear view of the garage door seal of FIG. 2;  
 FIG. 5 is a left side view of the garage door seal of FIG. 2, the right side view being a mirror image thereof;  
 FIG. 6 is a top view of the garage door seal of FIG. 2; and,  
 FIG. 7 is a bottom view of the garage door seal of FIG. 2.  
 The overhead door is shown in broken lines for illustrative purposes only and forms no part of the claimed design.

**1 Claim, 3 Drawing Sheets**

(56) **References Cited**

**U.S. PATENT DOCUMENTS**

- 2,738,559 A \* 3/1956 Edwards, Jr. .... E06B 7/2301  
49/470
- 3,597,788 A \* 8/1971 Eisenschenk ..... B29C 65/48  
118/264



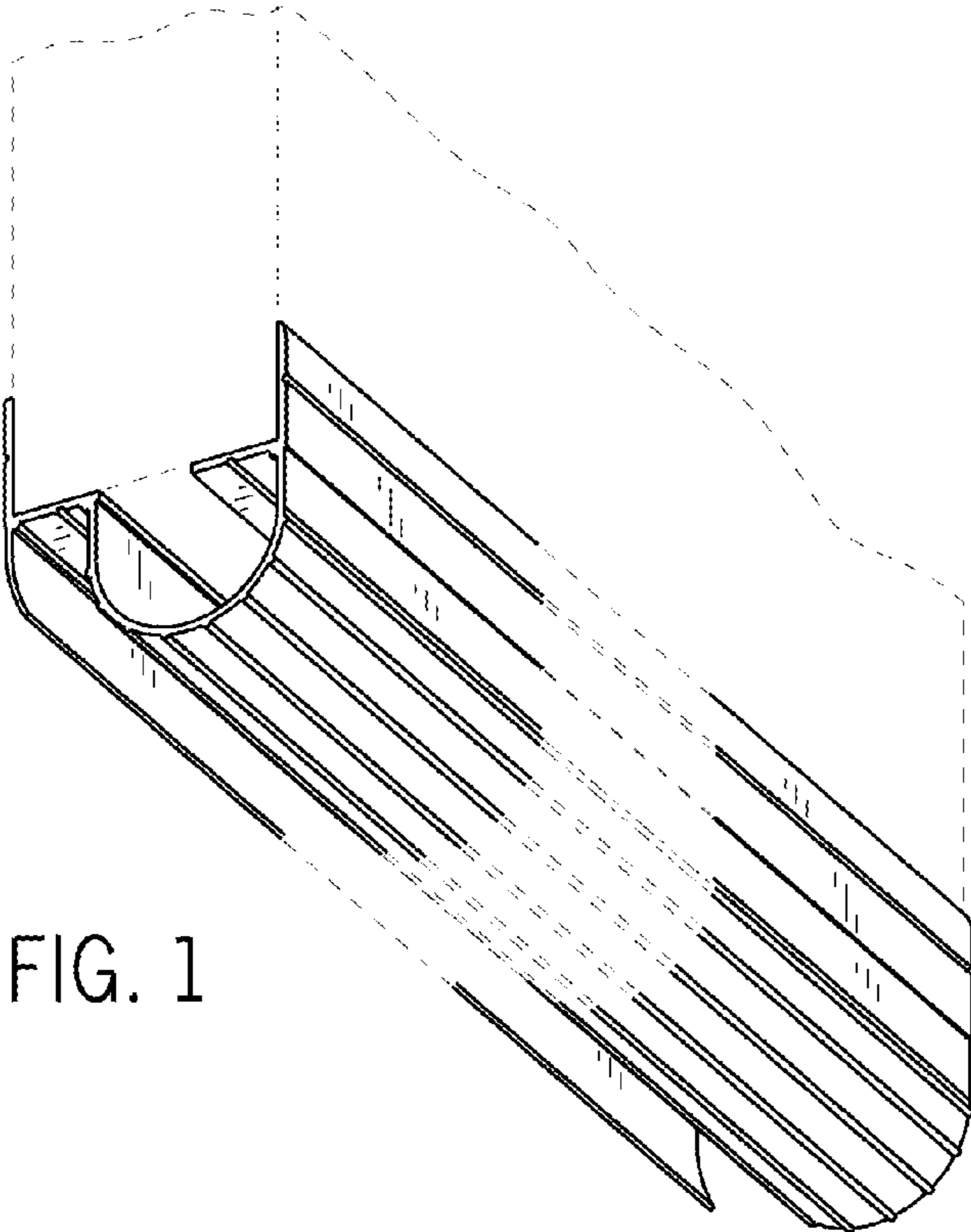


FIG. 1

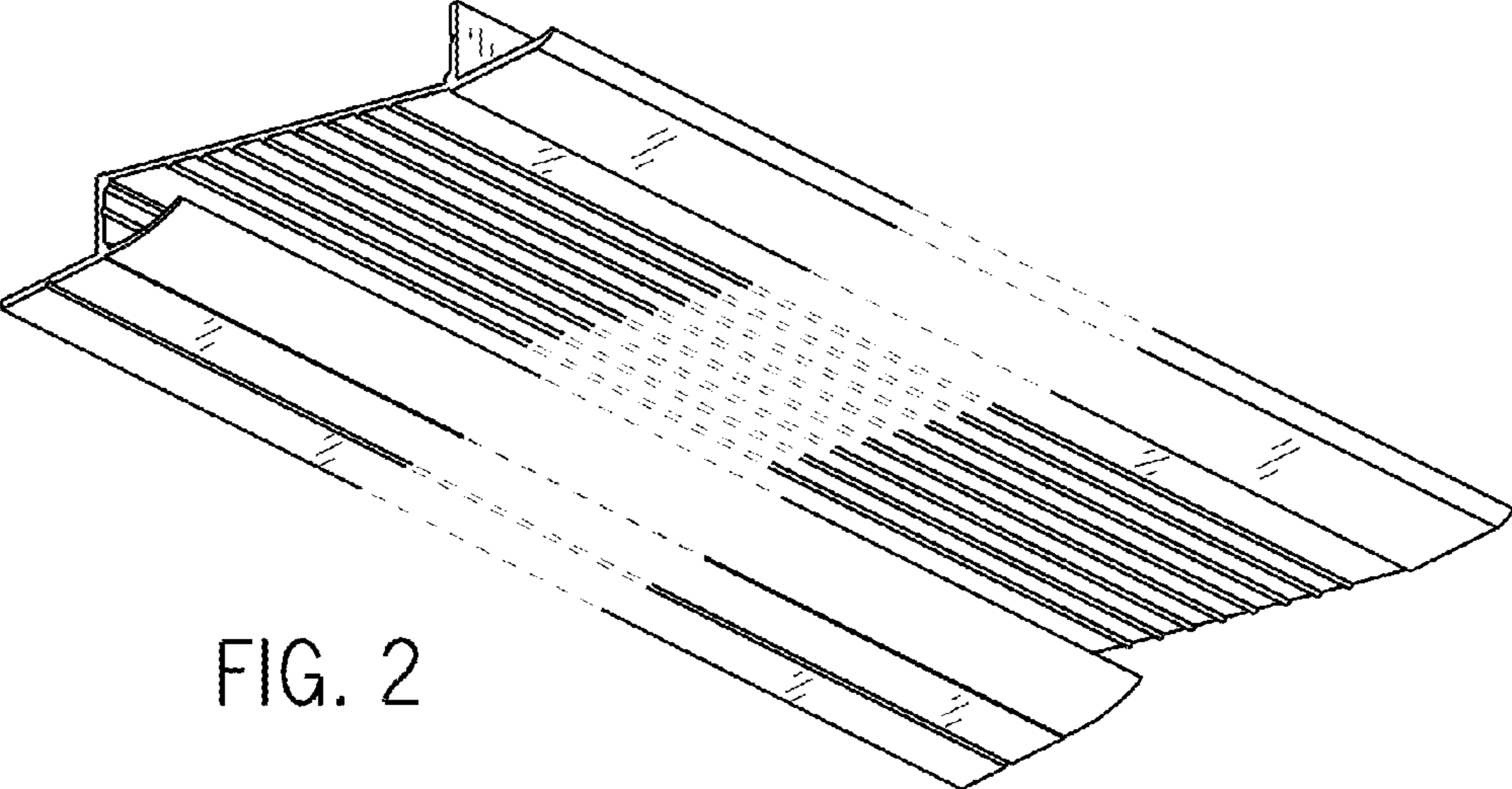


FIG. 2

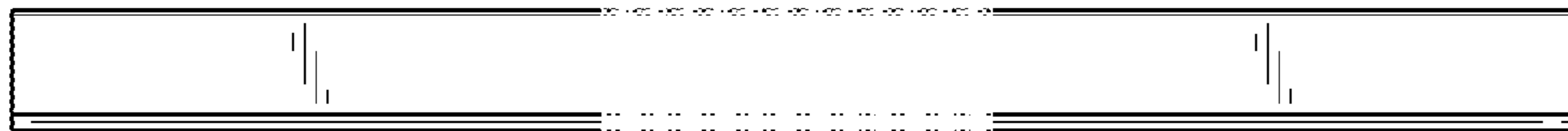


FIG. 3

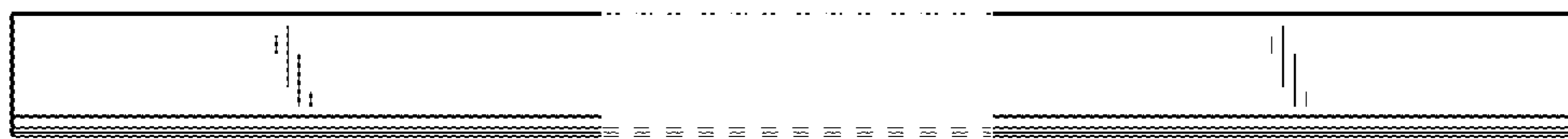


FIG. 4



FIG. 5

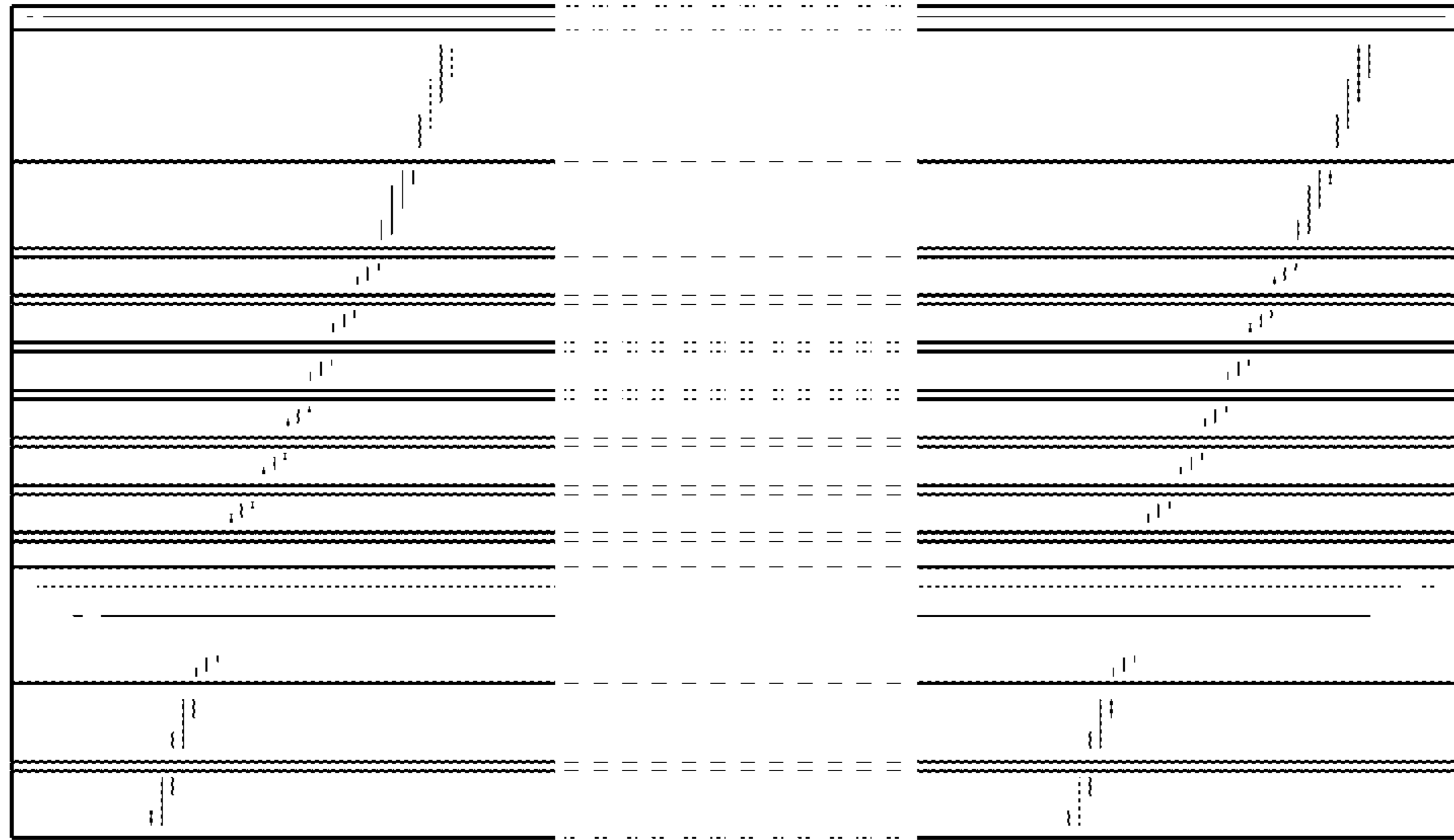


FIG. 6

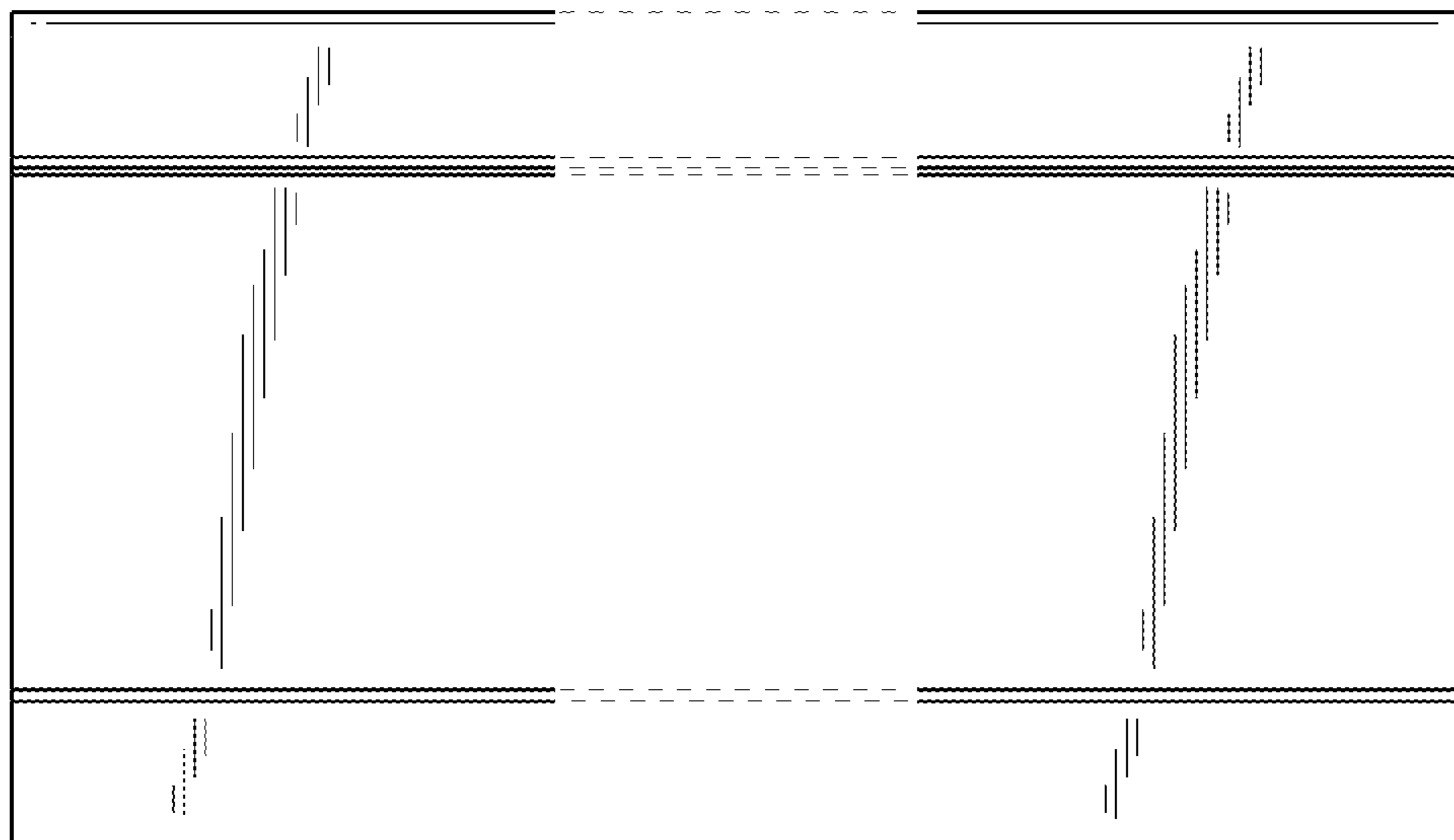


FIG. 7