



US00D745185S

(12) **United States Design Patent**
Kimura et al.

(10) **Patent No.:** **US D745,185 S**
(45) **Date of Patent:** **** Dec. 8, 2015**

(54) **SAMPLE FEEDER**

(71) Applicant: **SHIMADZU CORPORATION**, Kyoto
(JP)

(72) Inventors: **Jun Kimura**, Kyoto (JP); **Kosuke Shimizu**, Kyoto (JP)

(73) Assignee: **SHIMADZU CORPORATION**, Kyoto
(JP)

(**) Term: **14 Years**

(21) Appl. No.: **29/493,654**

(22) Filed: **Jun. 12, 2014**

(30) **Foreign Application Priority Data**

Apr. 15, 2014 (JP) 2014-008145

(51) **LOC (10) Cl.** **24-02**

(52) **U.S. Cl.**
USPC **D24/232; D10/81; D24/216**

(58) **Field of Classification Search**
USPC D24/232, 216, 231; D10/81; 210/198.2,
210/635, 656, 659, 101; 73/61.52, 61.55;
436/43, 45; 422/63, 67, 81, 70, 68.1,
422/500, 509
CPC G01N 1/18; G01N 1/36; G01N 1/38;
G01N 30/24; G01N 30/82; G01N 35/00;
G01N 35/00584

See application file for complete search history.

(56) **References Cited**

U.S. PATENT DOCUMENTS

D422,925 S *	4/2000	Glaser	D10/81
D424,458 S *	5/2000	Hanson	D10/81
D467,349 S *	12/2002	Niedbala	D24/232
D508,999 S *	8/2005	Fanning	D24/232
D599,234 S *	9/2009	Ito	D10/81
D637,931 S *	5/2011	Kimura	D10/81
7,988,914 B2 *	8/2011	Fukuju	B01L 9/06 422/68.1
D646,398 S *	10/2011	Oonuma	D24/232
D692,156 S *	10/2013	Matoba	D24/216
D692,157 S *	10/2013	Matoba	D24/216
D699,610 S *	2/2014	Noda	D10/81

* cited by examiner

Primary Examiner — Wan Laymon

(74) *Attorney, Agent, or Firm* — Jianq Chyun IP Office

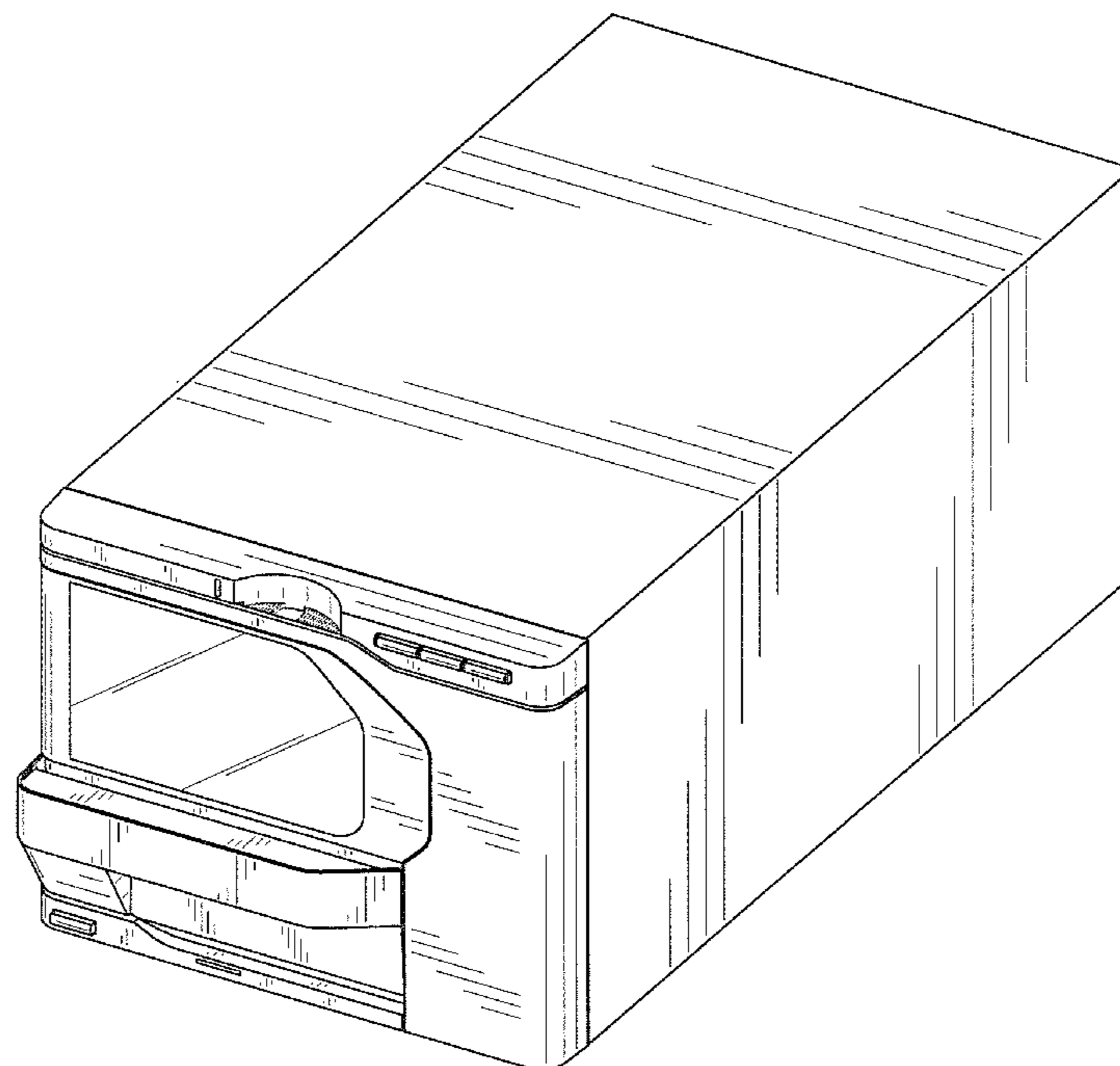
(57) **CLAIM**

The ornamental design for a sample feeder, as shown and described.

DESCRIPTION

FIG. 1 is a perspective view of a sample feeder showing our new design;
FIG. 2 is a front view thereof;
FIG. 3 is a rear view thereof;
FIG. 4 is a left side view thereof;
FIG. 5 is a right side view thereof;
FIG. 6 is a top view thereof; and,
FIG. 7 is a bottom view thereof.
The broken line portions of the sample feeder in FIGS. 1 and 6 represent unclaimed portions of the design and form no part thereof.

1 Claim, 5 Drawing Sheets



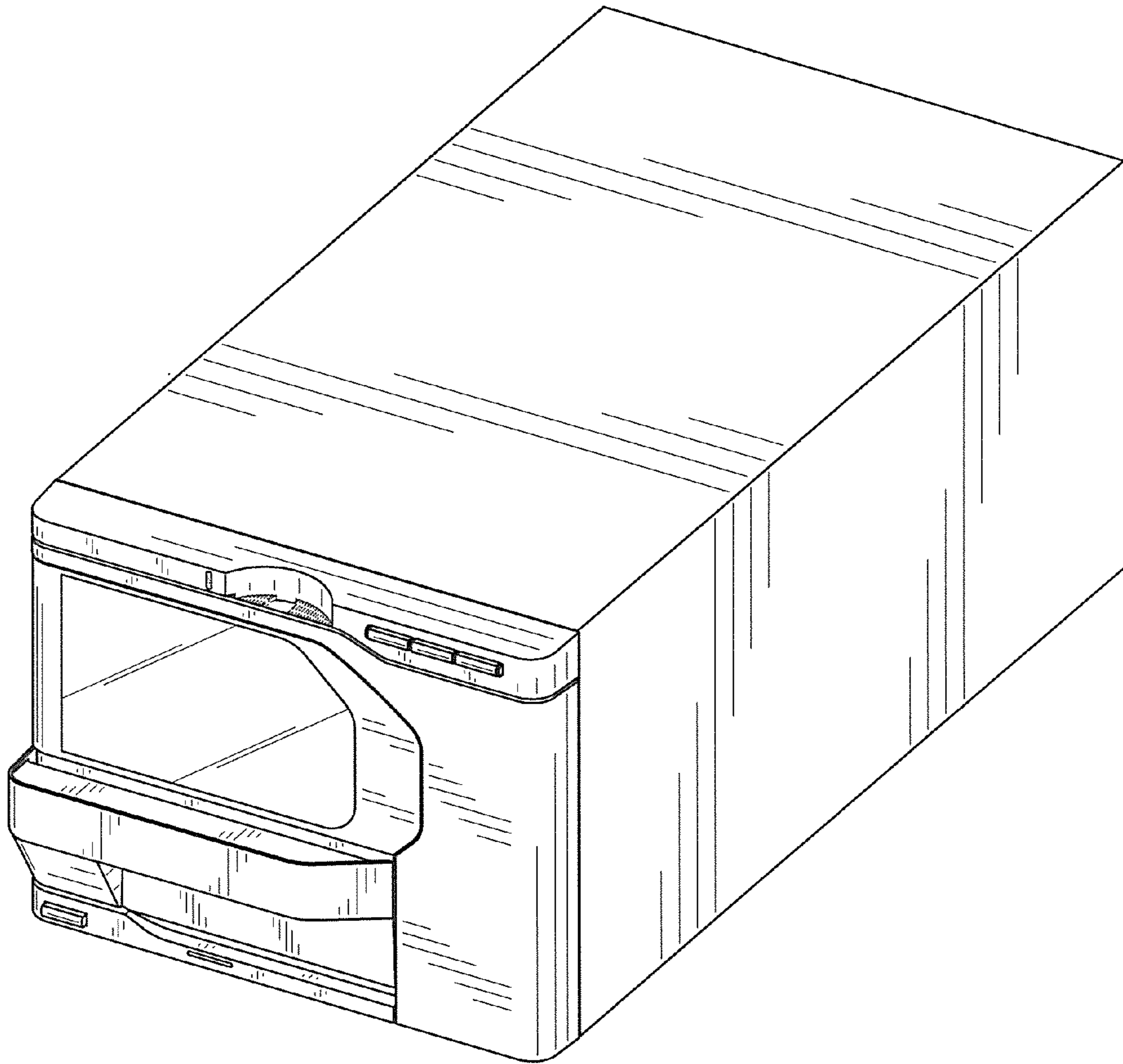


FIG. 1

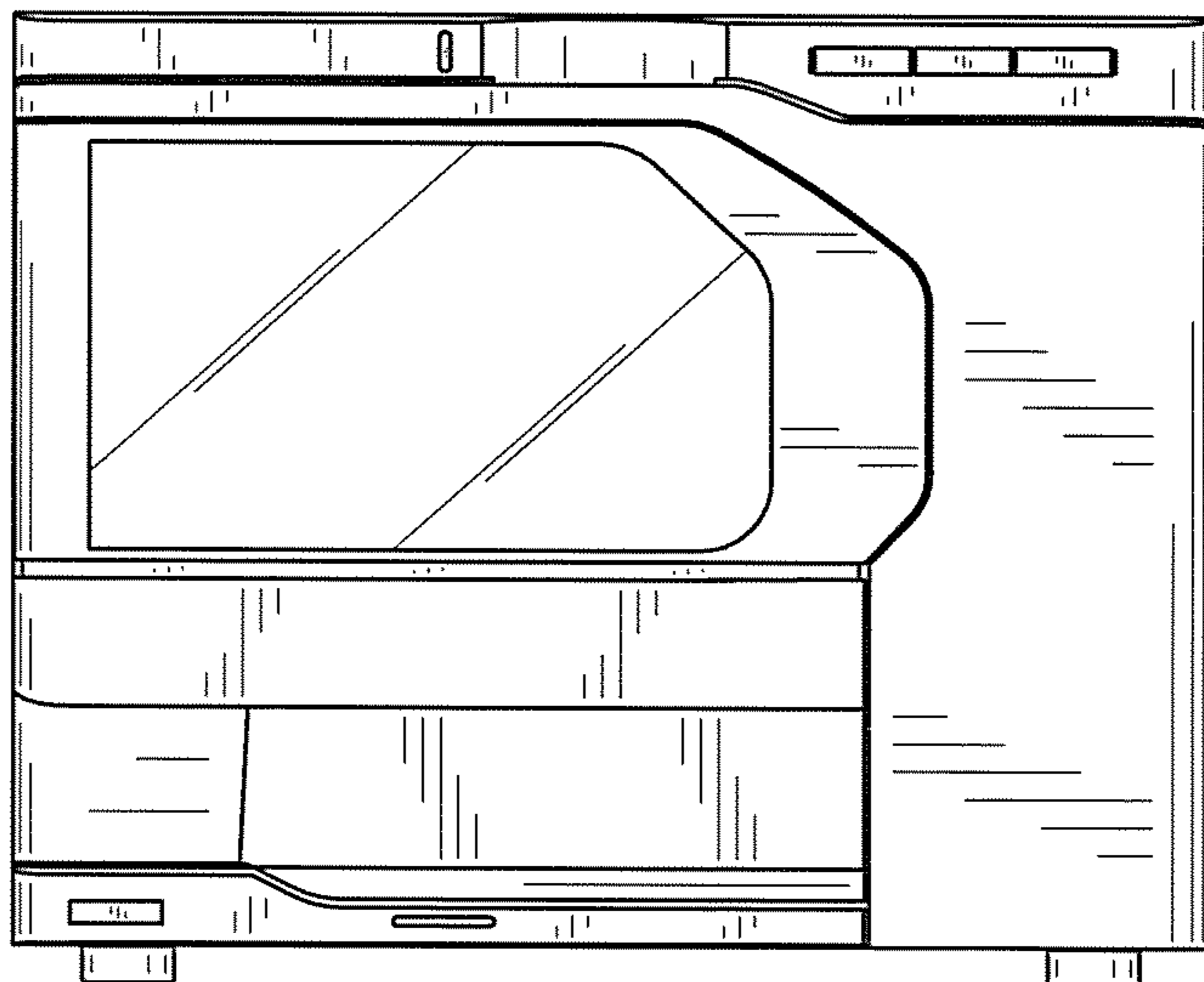


FIG. 2

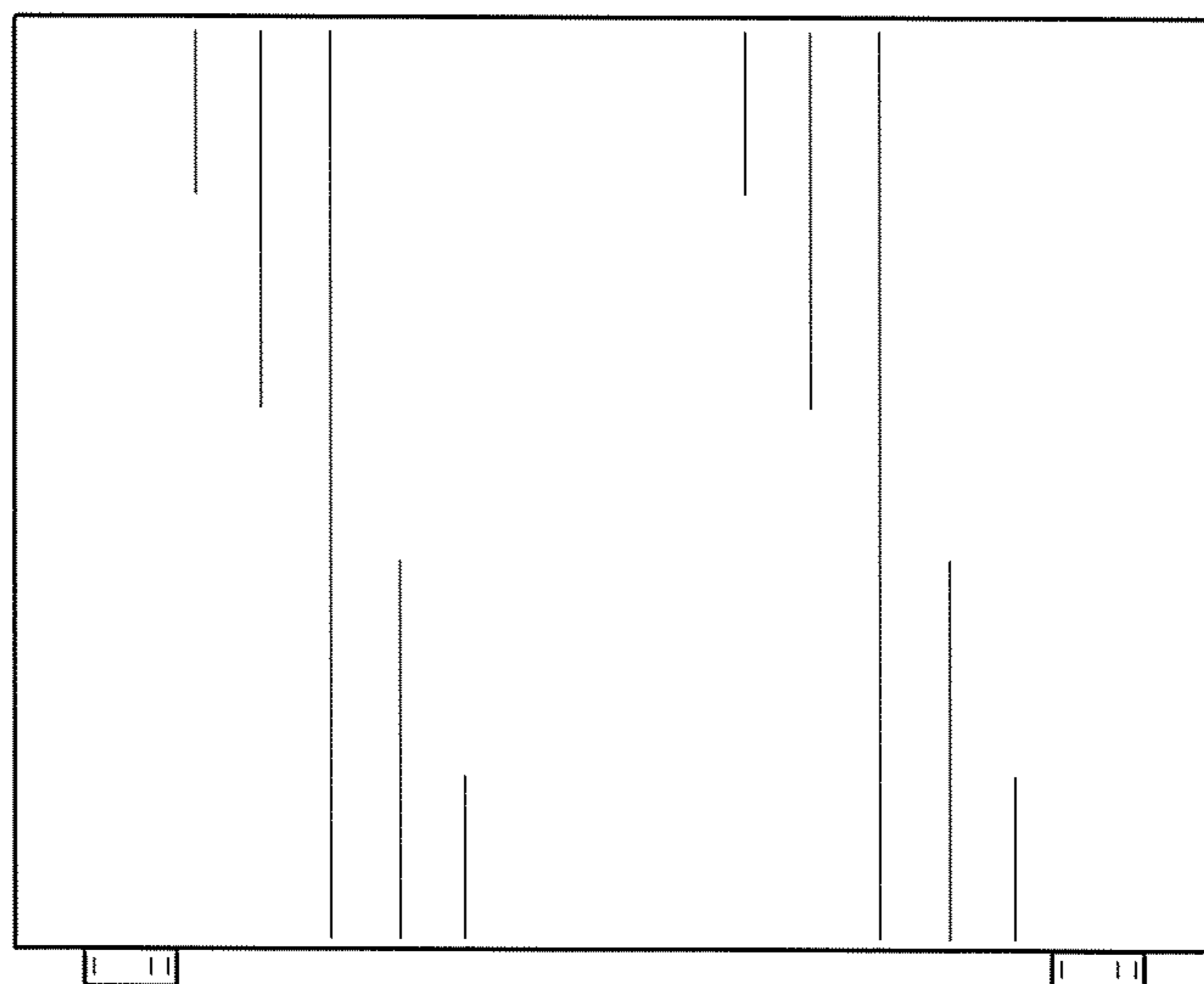


FIG. 3

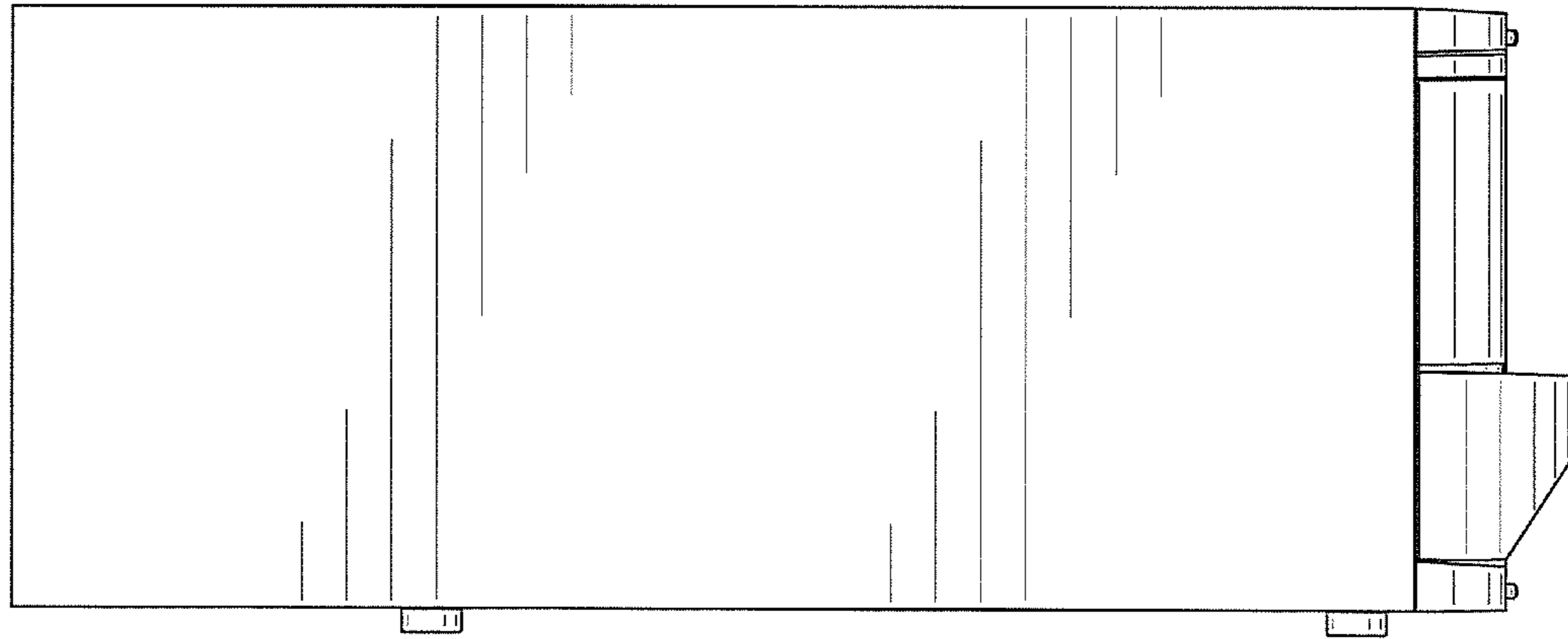


FIG. 4

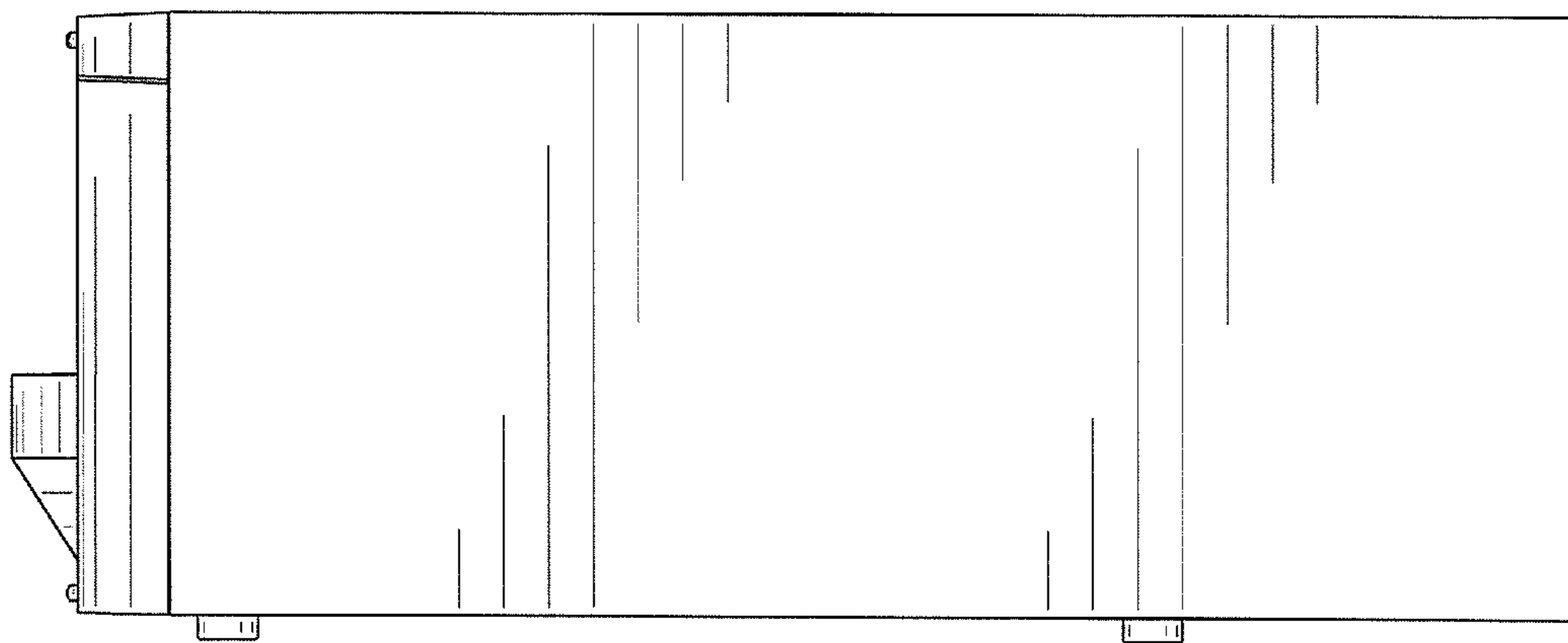


FIG. 5



FIG. 6

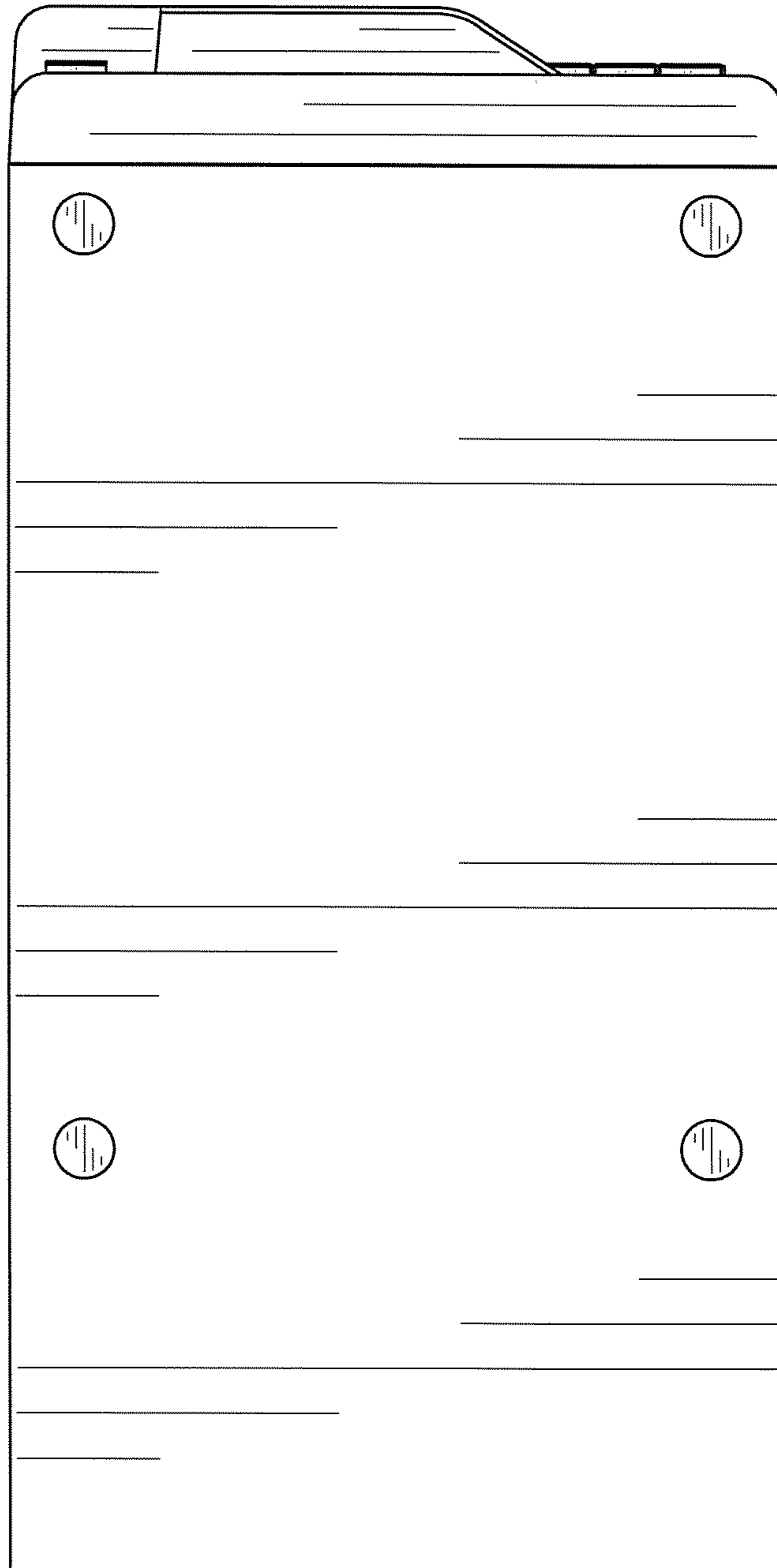


FIG. 7