



US00D745183S

(12) **United States Design Patent**
Parsons et al.

(10) **Patent No.:** **US D745,183 S**

(45) **Date of Patent:** **** Dec. 8, 2015**

(54) **OPTICAL ELEMENT FOR ASSAY DEVICE**

(71) Applicant: **Ellume Pty Ltd**, East Brisbane (AU)

(72) Inventors: **Sean Andrew Parsons**, East Brisbane (AU); **Michael Stuart Hazell**, Cambridge (GB); **David Lara**, Cambridge (GB)

(73) Assignee: **Ellume Pty Ltd**, East Brisbane (AU)

(**) Term: **14 Years**

(21) Appl. No.: **29/476,965**

(22) Filed: **Dec. 18, 2013**

(30) **Foreign Application Priority Data**

Jun. 19, 2013 (EM) 002258335-0001

(51) **LOC (10) Cl.** **24-00**

(52) **U.S. Cl.**
USPC **D24/231**

(58) **Field of Classification Search**

USPC D24/231, 224, 216, 225; 435/288.5; 356/446, 311, 317, 432, 369, 338, 440, 356/442, 72; 600/316; 211/60.1; 422/82.05
CPC . G01N 21/474; G01N 21/67; G01N 21/6428; G01N 21/1702; G01N 21/211; G01N 21/53; G01N 21/253; G01N 21/534; H01J 37/32935
See application file for complete search history.

(56) **References Cited**

U.S. PATENT DOCUMENTS

4,294,931 A * 10/1981 Levin et al. 435/288.5
4,791,461 A * 12/1988 Kishimoto et al. 356/446
5,029,583 A * 7/1991 Meserol et al. 600/316
D373,829 S * 9/1996 Pallender D24/224
D384,164 S * 9/1997 Leiva et al. D24/224
5,842,582 A * 12/1998 DeStefano, Jr. 211/60.1
6,043,880 A * 3/2000 Andrews et al. 356/311

6,285,454 B1 * 9/2001 Douglas et al. 356/446
D470,595 S * 2/2003 Crisanti et al. D24/216
6,597,450 B1 * 7/2003 Andrews et al. 356/317
D500,142 S * 12/2004 Crisanti et al. D24/224
D606,664 S * 12/2009 Jacono et al. D24/225
7,671,987 B2 * 3/2010 Padmanabhan et al. 356/338
7,796,266 B2 * 9/2010 Cohen et al. 356/440
7,859,672 B2 * 12/2010 Yamada et al. 356/442
D637,310 S * 5/2011 Barbieux et al. D24/216
D672,053 S * 12/2012 Chen et al. D24/225
2007/0121113 A1 * 5/2007 Cohen et al. 356/432
2009/0290157 A1 * 11/2009 Dultz et al. 356/369
2013/0162981 A1 * 6/2013 Emeric et al. 356/72
2014/0286826 A1 * 9/2014 Neijzen et al. 422/82.05

* cited by examiner

Primary Examiner — Holly Baynham

Assistant Examiner — Rhea Shields

(74) *Attorney, Agent, or Firm* — Wolf, Greenfield & Sacks, P.C.

(57) **CLAIM**

The ornamental design for an optical element for assay device, as shown and described.

DESCRIPTION

FIG. 1 is a top, left side perspective view of an optical element for assay device;

FIG. 2 is a bottom, left side perspective view of the OPTICAL element for assay device shown in FIG. 1;

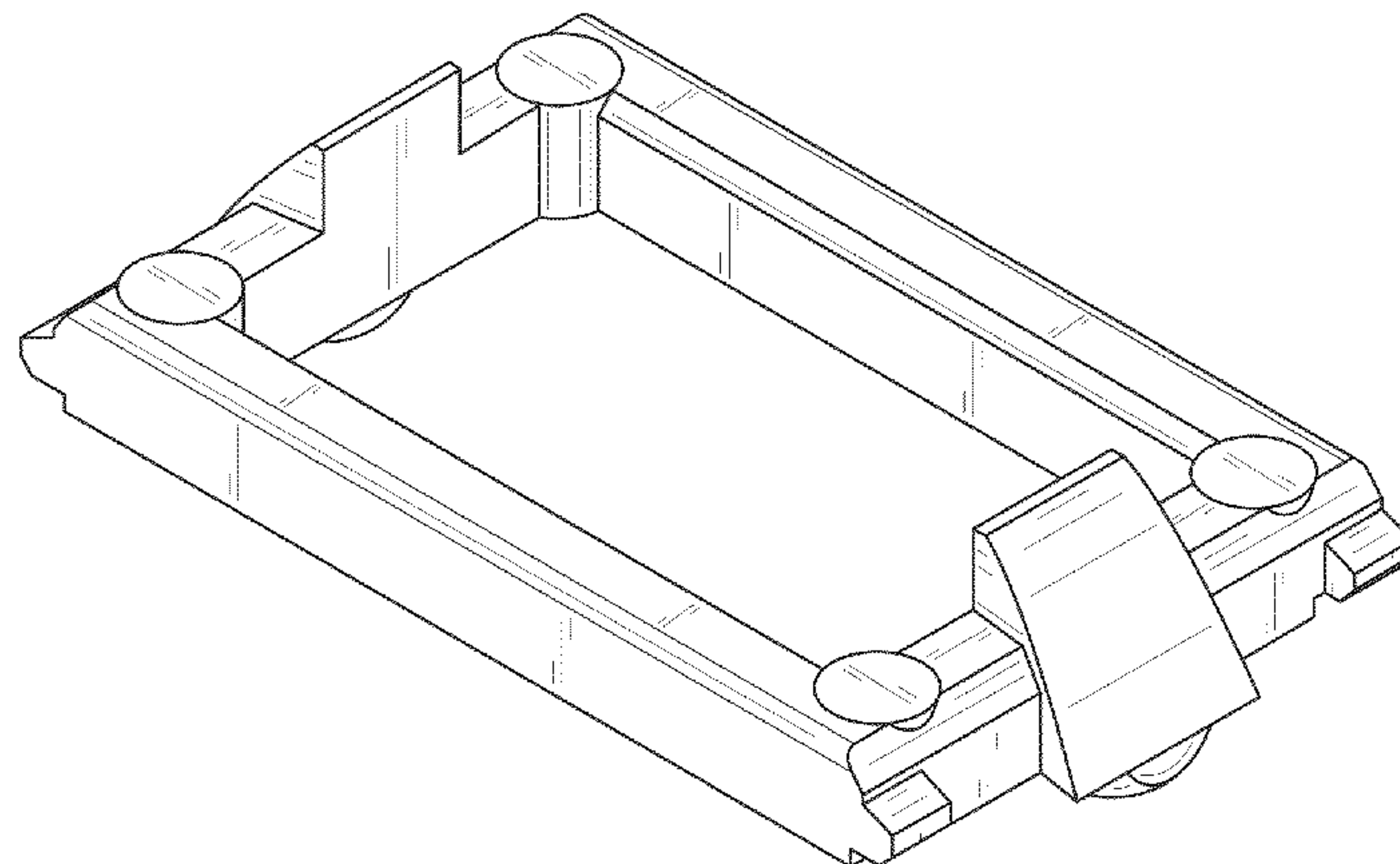
FIG. 3 is a front elevational view of the optical element for assay device shown in FIG. 1, the rear being a minor image thereof;

FIG. 4 is a left side elevational view of the optical element for assay device shown in FIG. 1, the right side being a mirror image thereof;

FIG. 5 is a top plan view of the optical element for assay device shown in FIG. 1; and,

FIG. 6 is a bottom plan view of the optical element for assay device shown in FIG. 1.

1 Claim, 6 Drawing Sheets



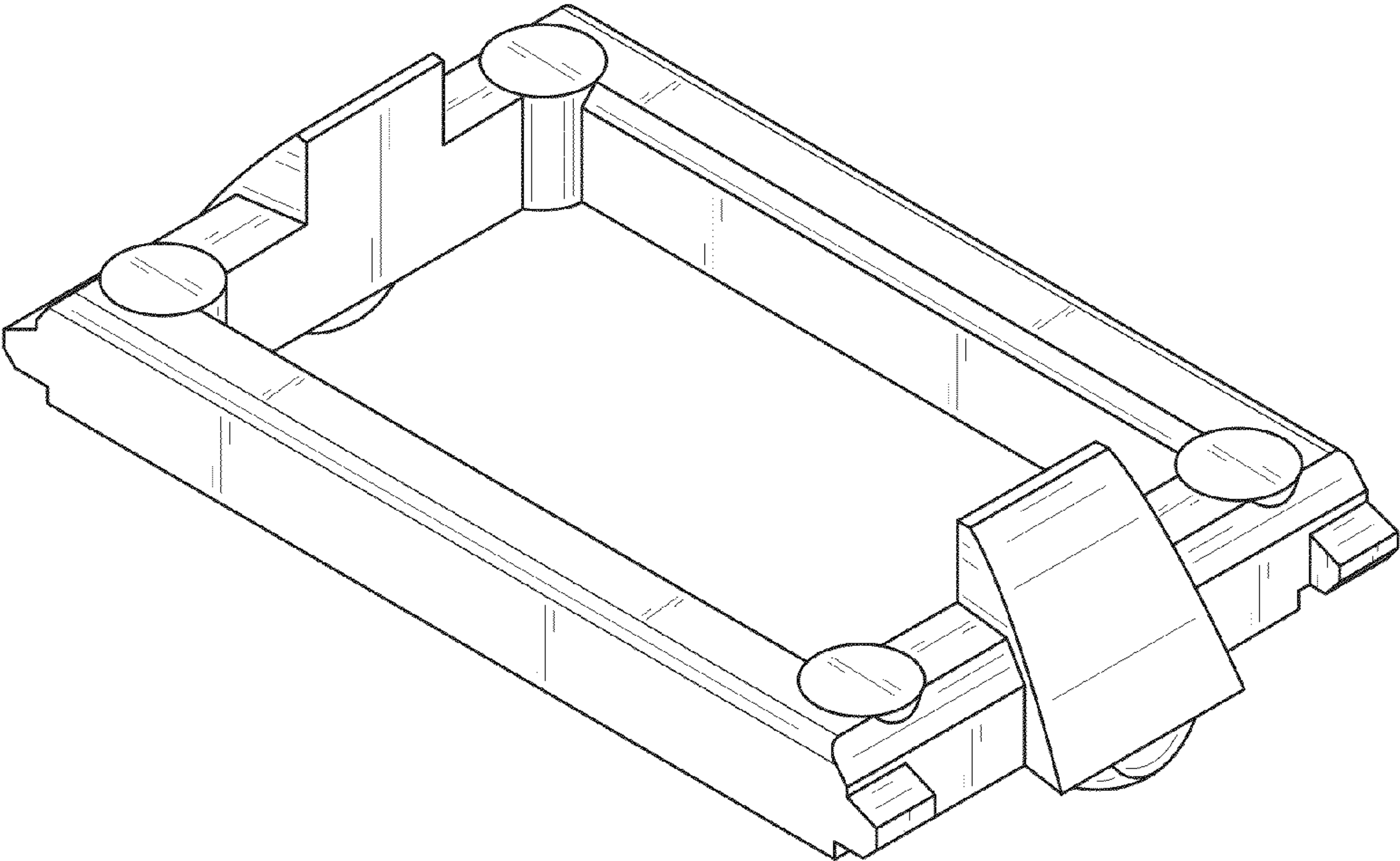


FIG. 1

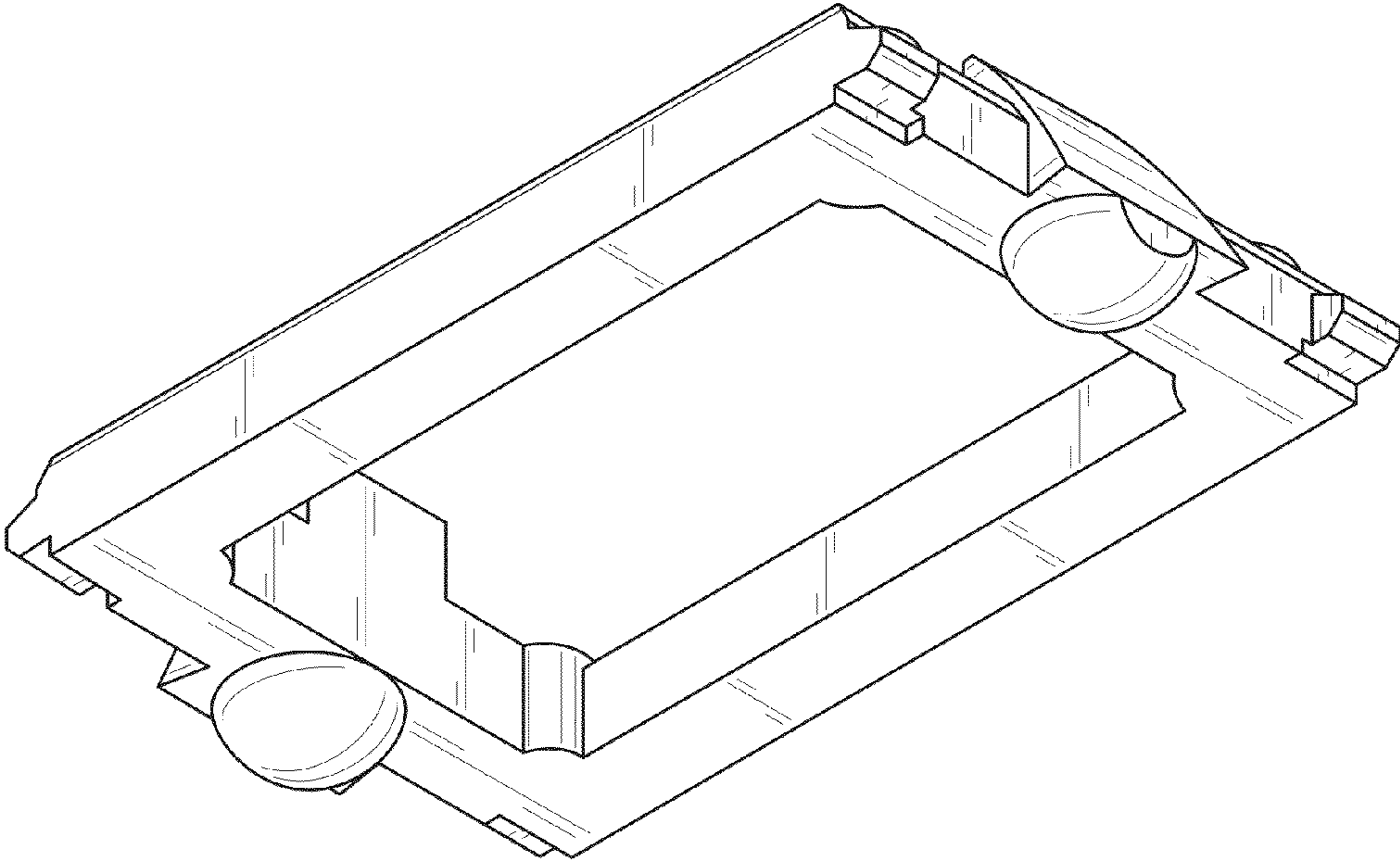


FIG. 2

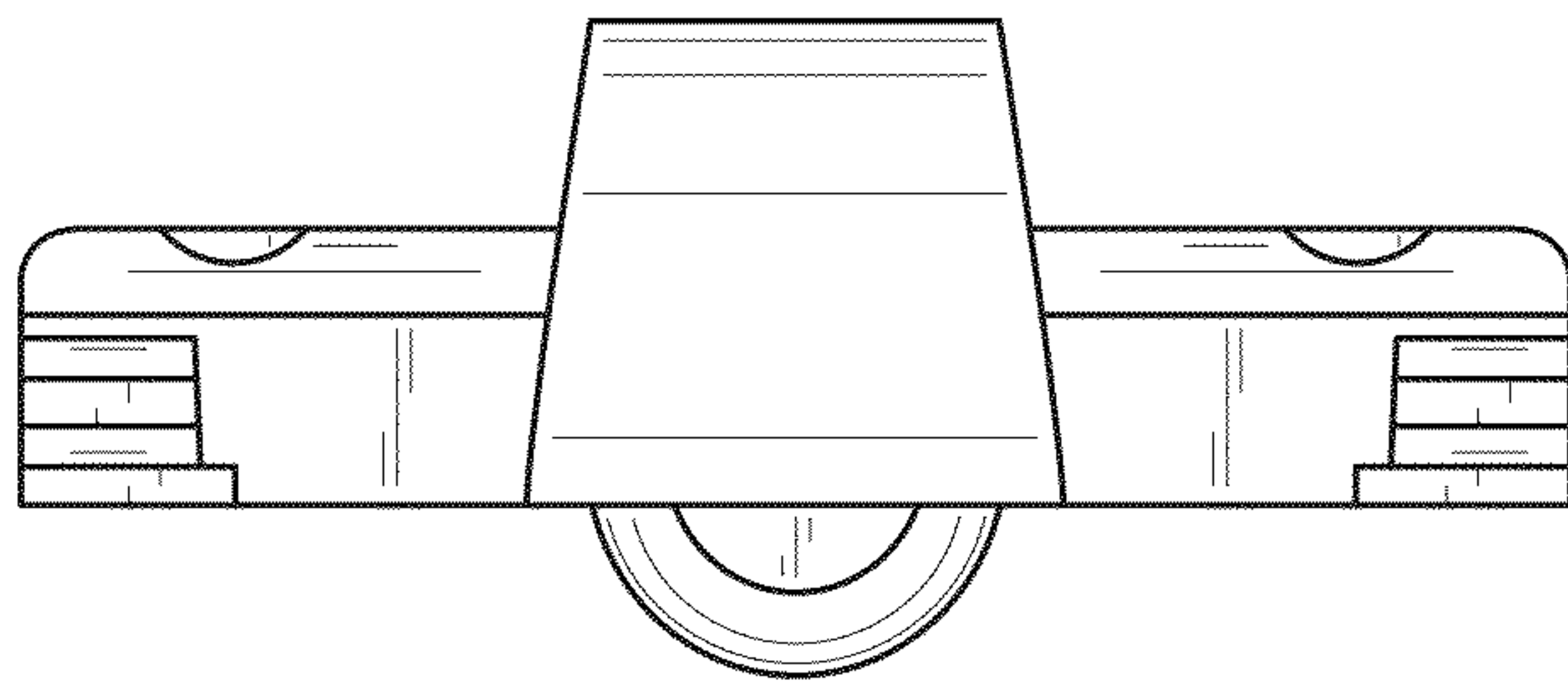


FIG. 3

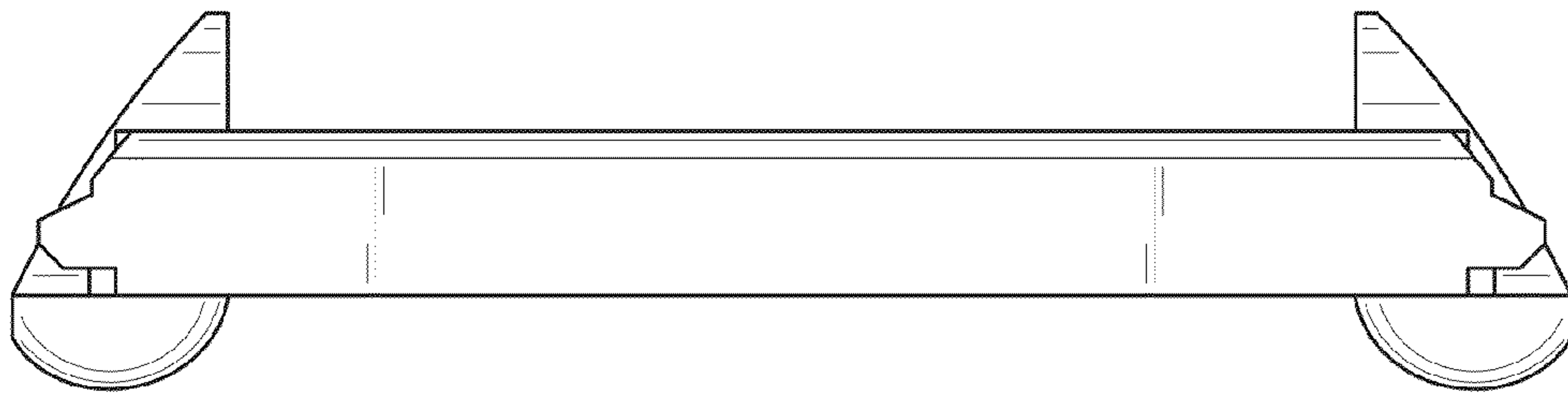


FIG. 4

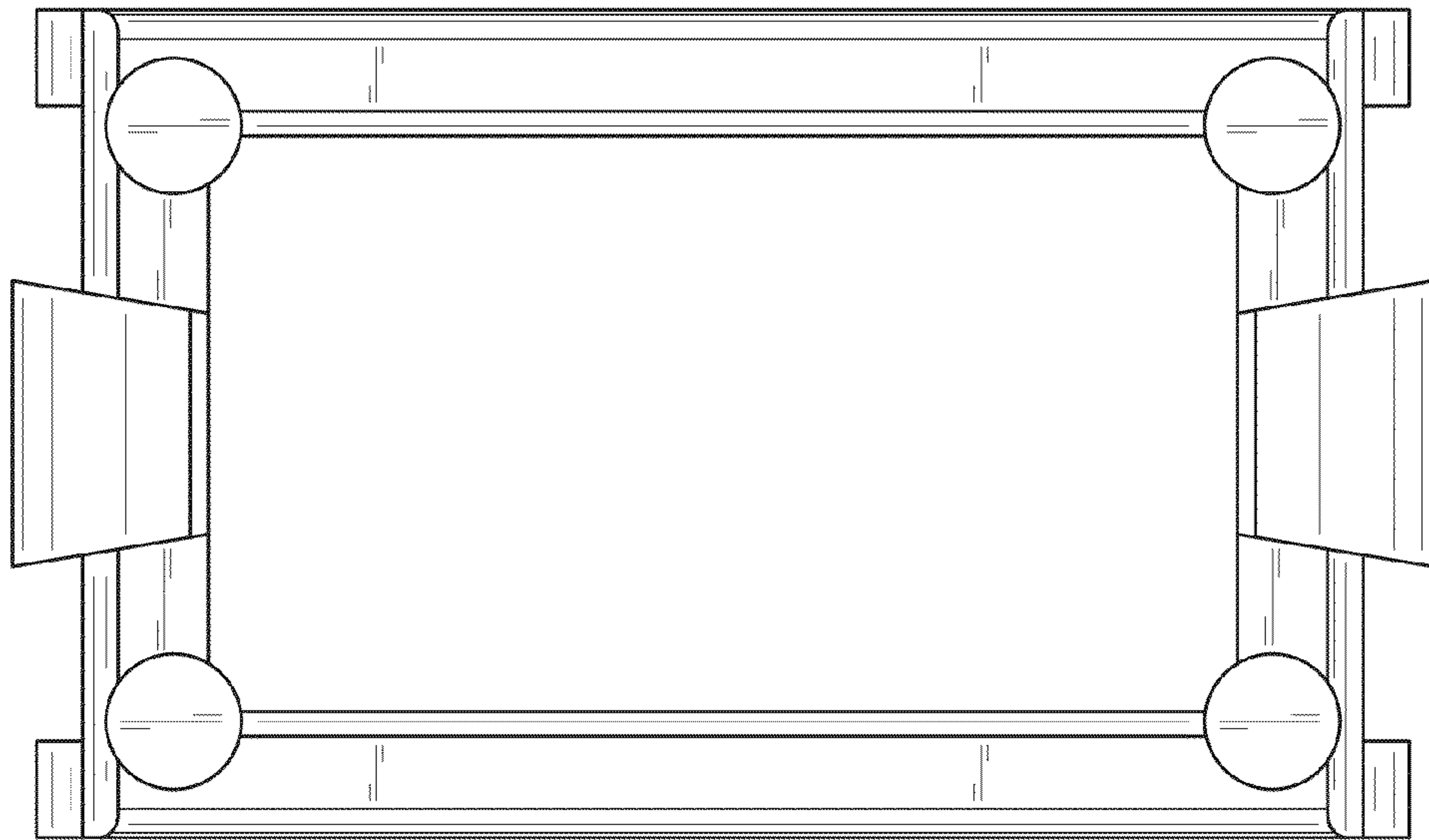


FIG. 5

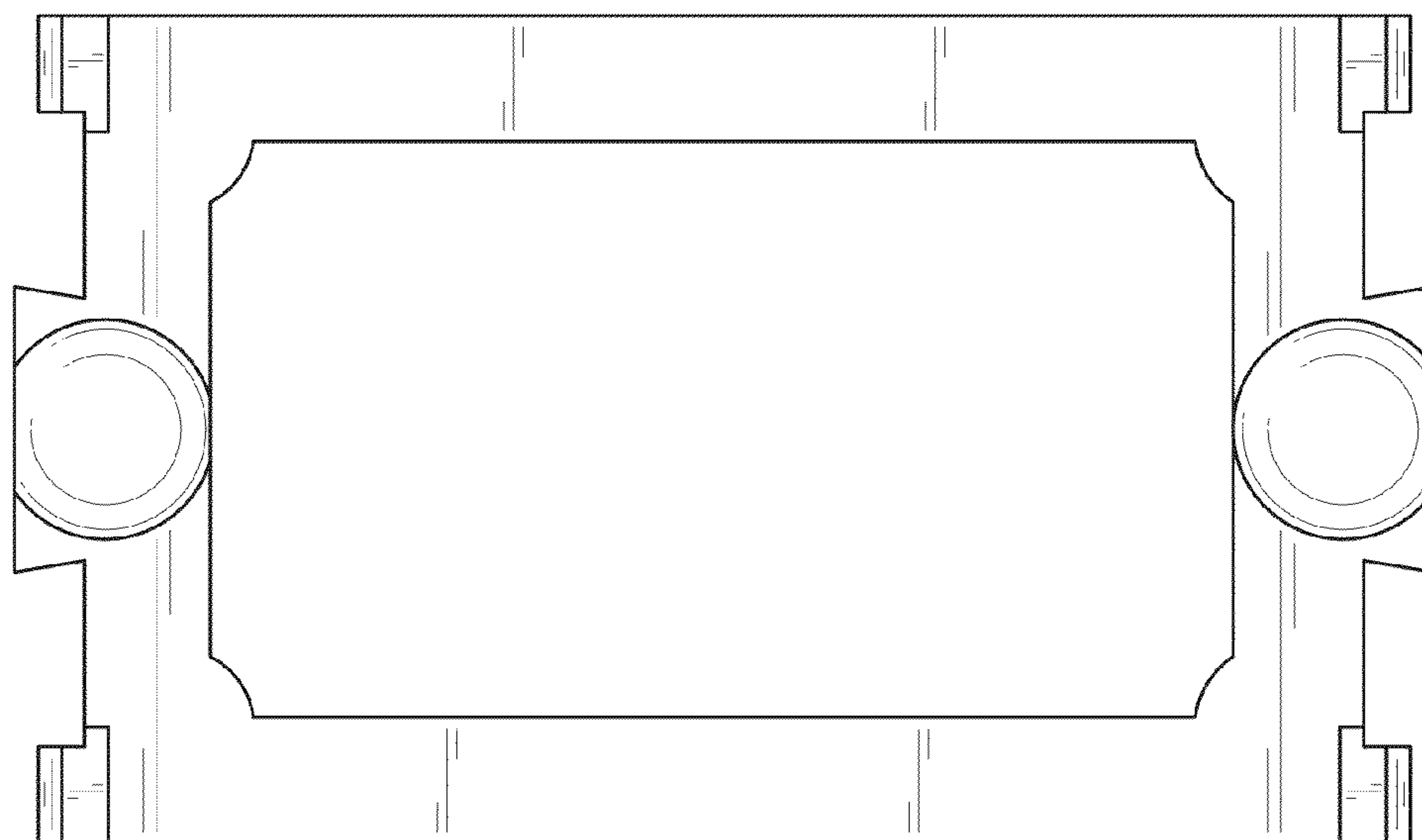


FIG. 6