



US00D745182S

(12) **United States Design Patent**  
**Parsons et al.**

(10) **Patent No.:** **US D745,182 S**  
(45) **Date of Patent:** **\*\* Dec. 8, 2015**

(54) **OPTICAL ELEMENT FOR ASSAY DEVICE**

(71) Applicant: **Ellume Pty Ltd**, East Brisbane (AU)

(72) Inventors: **Sean Andrew Parsons**, East Brisbane (AU); **Michael Stuart Hazell**, Cambridge (GB); **David Lara**, Cambridge (GB)

(73) Assignee: **Ellume Pty Ltd**, East Brisbane (AU)

(\*\*) Term: **14 Years**

(21) Appl. No.: **29/476,963**

(22) Filed: **Dec. 18, 2013**

(30) **Foreign Application Priority Data**

Jun. 19, 2013 (EM) ..... 002258335-0002

(51) **LOC (10) Cl.** ..... **24-00**

(52) **U.S. Cl.**  
USPC ..... **D24/231**

(58) **Field of Classification Search**

USPC ..... D24/231, 224, 216, 225; 435/288.5;  
356/446, 311, 317, 432, 369, 338, 440,  
356/442, 72; 600/316; 211/60.1; 422/82.05  
CPC . G01N 21/474; G01N 21/67; G01N 21/6428;  
G01N 21/1702; G01N 21/211; G01N 21/53;  
G01N 21/253; G01N 21/534; H01J 37/32935  
See application file for complete search history.

(56) **References Cited**

**U.S. PATENT DOCUMENTS**

4,294,931 A \* 10/1981 Levin et al. .... 435/288.5  
4,791,461 A \* 12/1988 Kishimoto et al. .... 356/446  
5,029,583 A \* 7/1991 Meserol et al. .... 600/316  
D373,829 S \* 9/1996 Pallender ..... D24/224  
D384,164 S \* 9/1997 Leiva et al. .... D24/224  
5,842,582 A \* 12/1998 DeStefano, Jr. .... 211/60.1  
6,043,880 A \* 3/2000 Andrews et al. .... 356/311

6,285,454 B1 \* 9/2001 Douglas et al. .... 356/446  
D470,595 S \* 2/2003 Crisanti et al. .... D24/216  
6,597,450 B1 \* 7/2003 Andrews et al. .... 356/317  
D500,142 S \* 12/2004 Crisanti et al. .... D24/224  
D606,664 S \* 12/2009 Jacono et al. .... D24/225  
7,671,987 B2 \* 3/2010 Padmanabhan et al. .... 356/338  
7,796,266 B2 \* 9/2010 Cohen et al. .... 356/440  
7,859,672 B2 \* 12/2010 Yamada et al. .... 356/442  
D637,310 S \* 5/2011 Barbieux et al. .... D24/216  
D672,053 S \* 12/2012 Chen et al. .... D24/225  
2007/0121113 A1 \* 5/2007 Cohen et al. .... 356/432  
2009/0290157 A1 \* 11/2009 Dultz et al. .... 356/369  
2013/0162981 A1 \* 6/2013 Emeric et al. .... 356/72  
2014/0286826 A1 \* 9/2014 Neijzen et al. .... 422/82.05

\* cited by examiner

*Primary Examiner* — Holly Baynham

*Assistant Examiner* — Rhea Shields

(74) *Attorney, Agent, or Firm* — Wolf, Greenfield & Sacks, P.C.

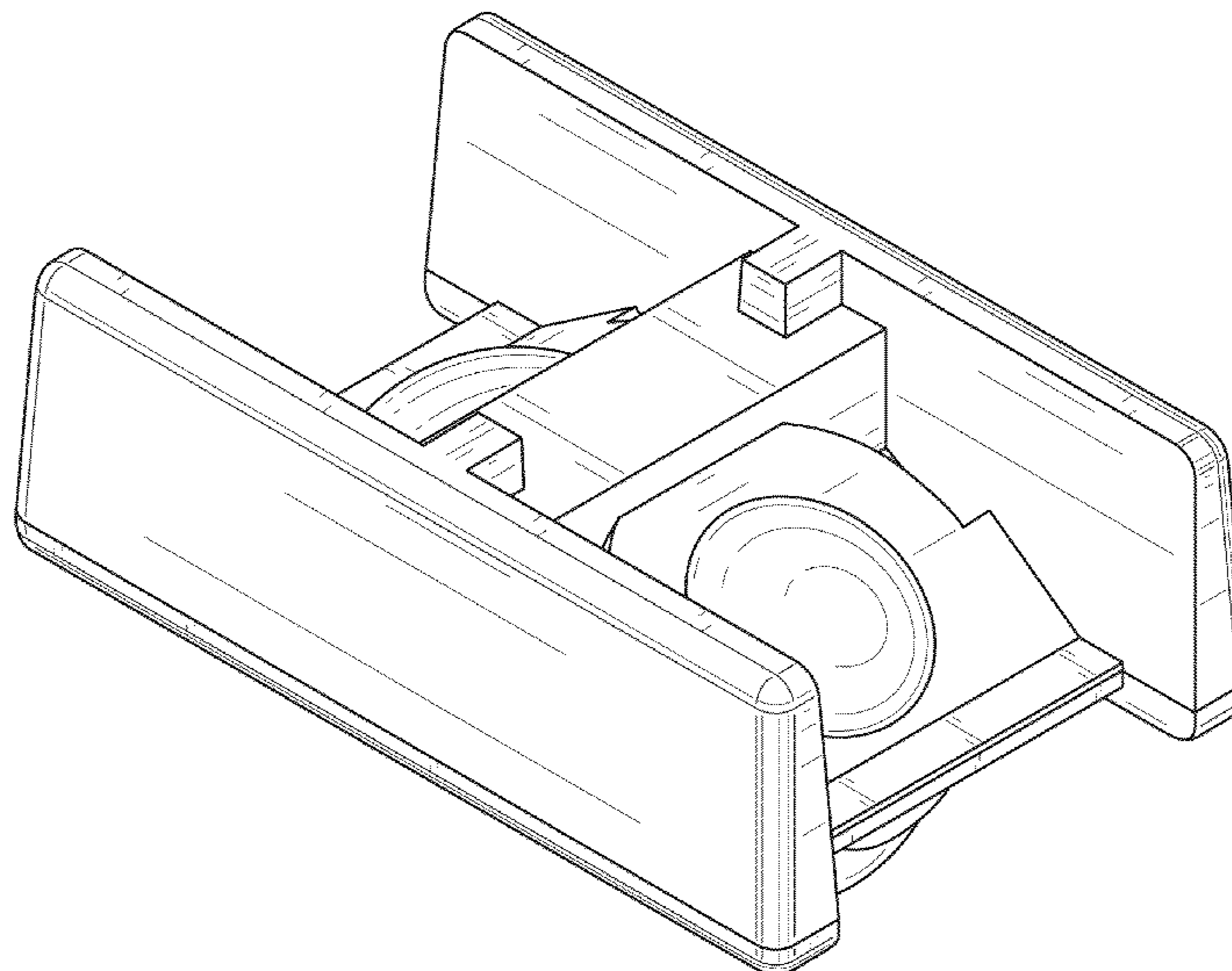
(57) **CLAIM**

The ornamental design for an optical element for assay device, as shown and described.

**DESCRIPTION**

FIG. 1 is a top, left side perspective view of an optical element for assay device;  
FIG. 2 is a bottom, left side perspective view of the optical element for assay device shown in FIG. 1;  
FIG. 3 is a front elevational view of the optical element for assay device shown in FIG. 1, the rear being a mirror image thereof;  
FIG. 4 is a left side elevational view of the optical element for assay device shown in FIG. 1, the right side being a mirror image thereof;  
FIG. 5 is a top plan view of the optical element for assay device shown in FIG. 1; and,  
FIG. 6 is a bottom plan view of the optical element for assay device shown in FIG. 1.

**1 Claim, 6 Drawing Sheets**



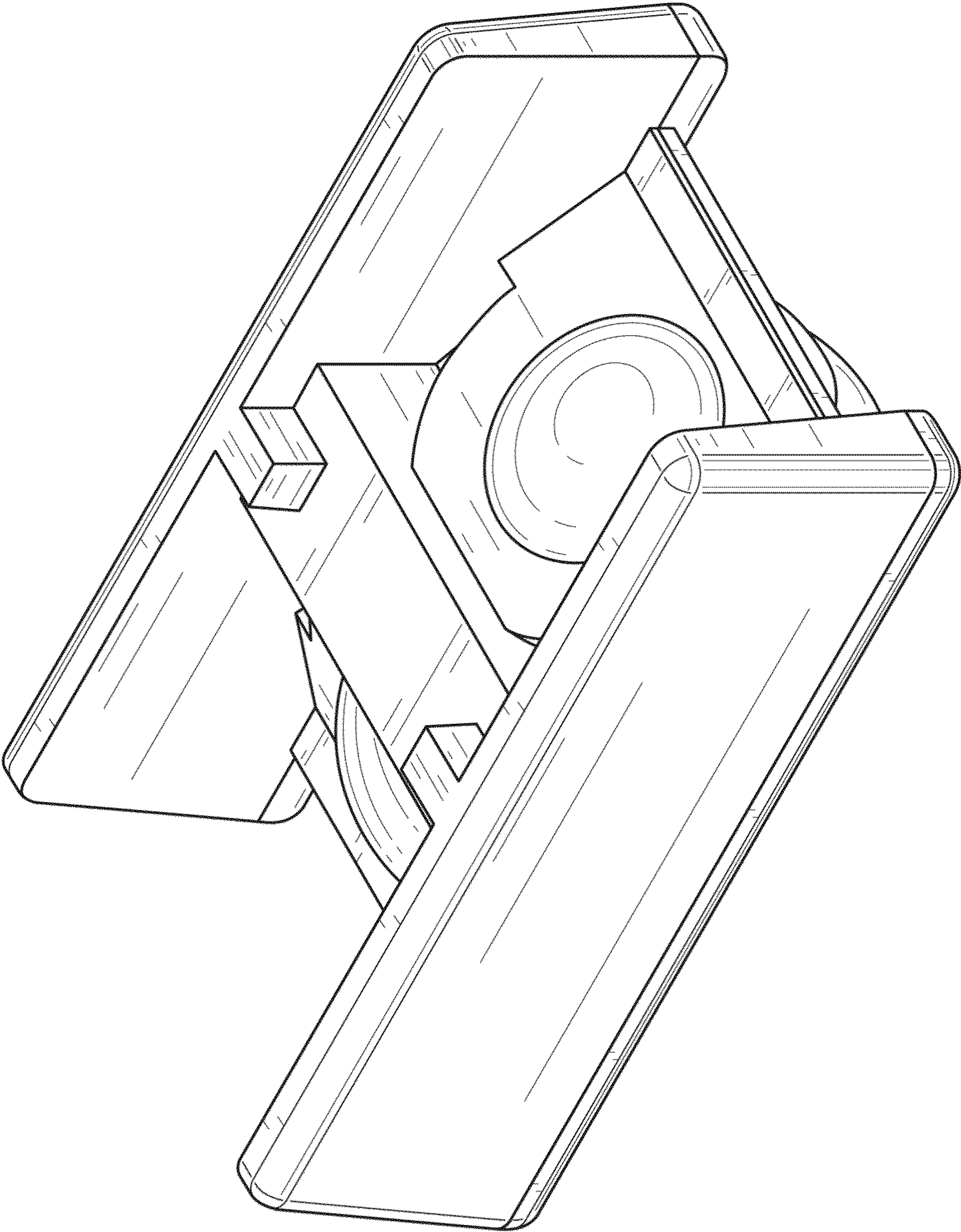


FIG. 1



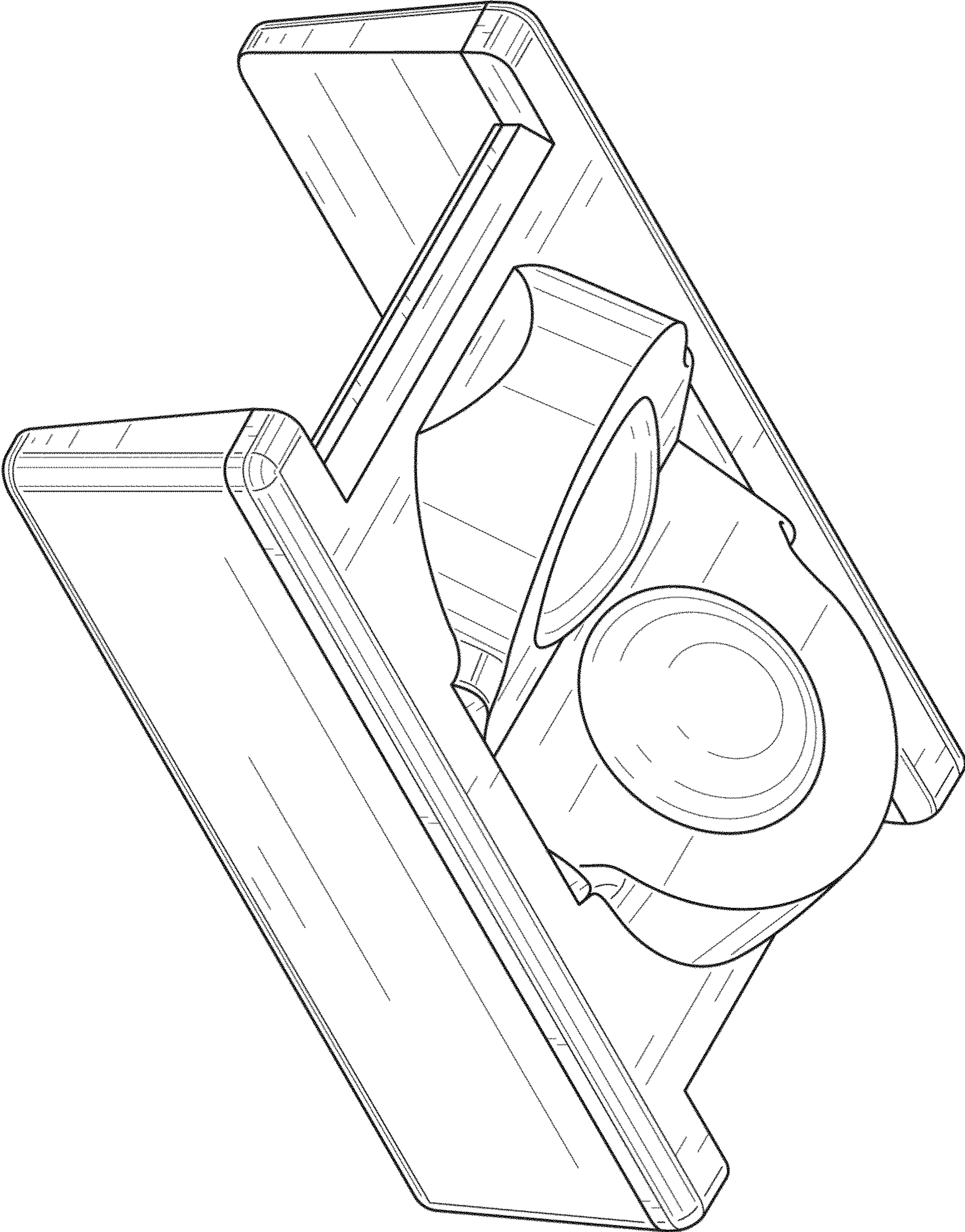


FIG. 2

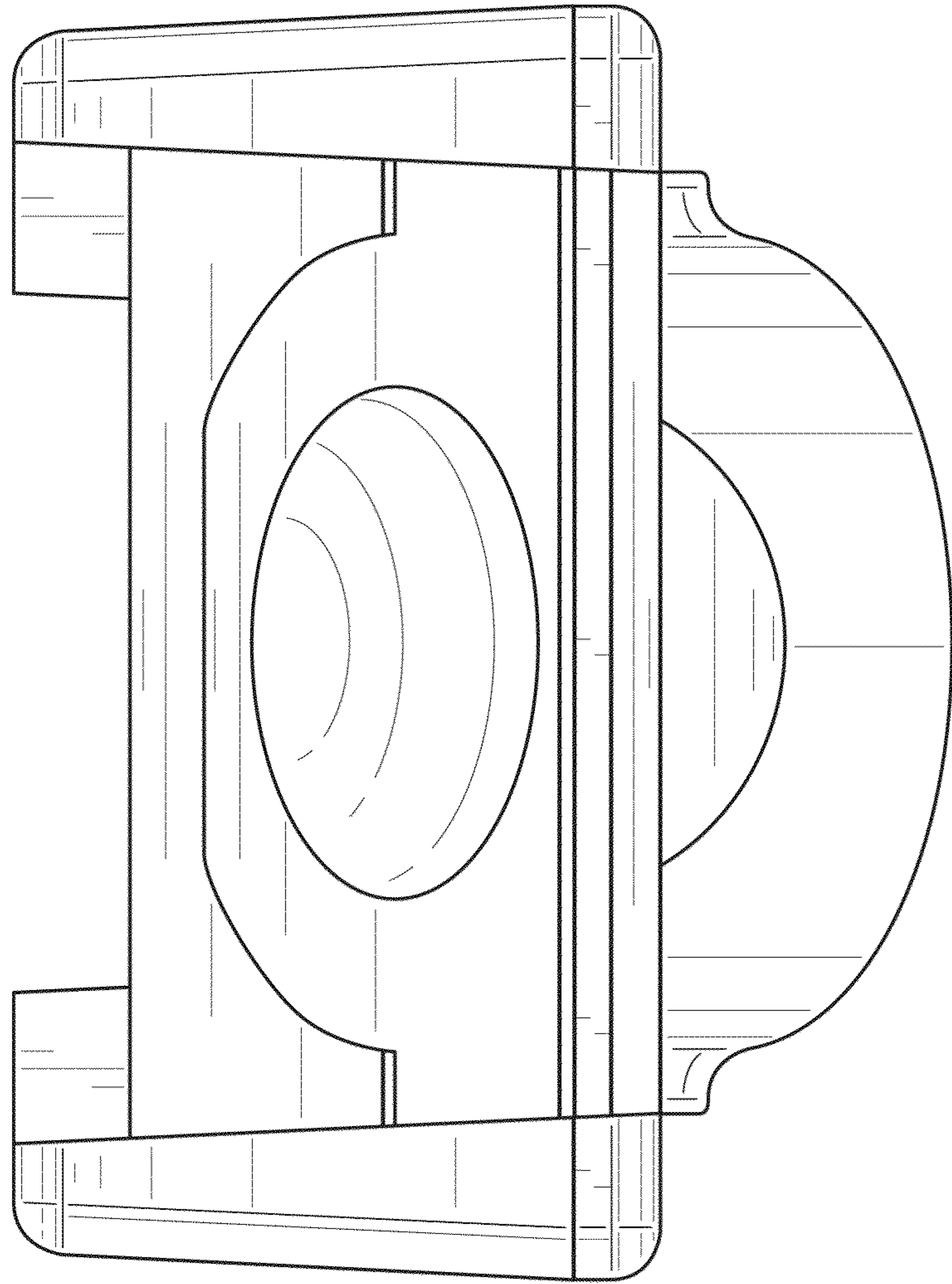


FIG. 3

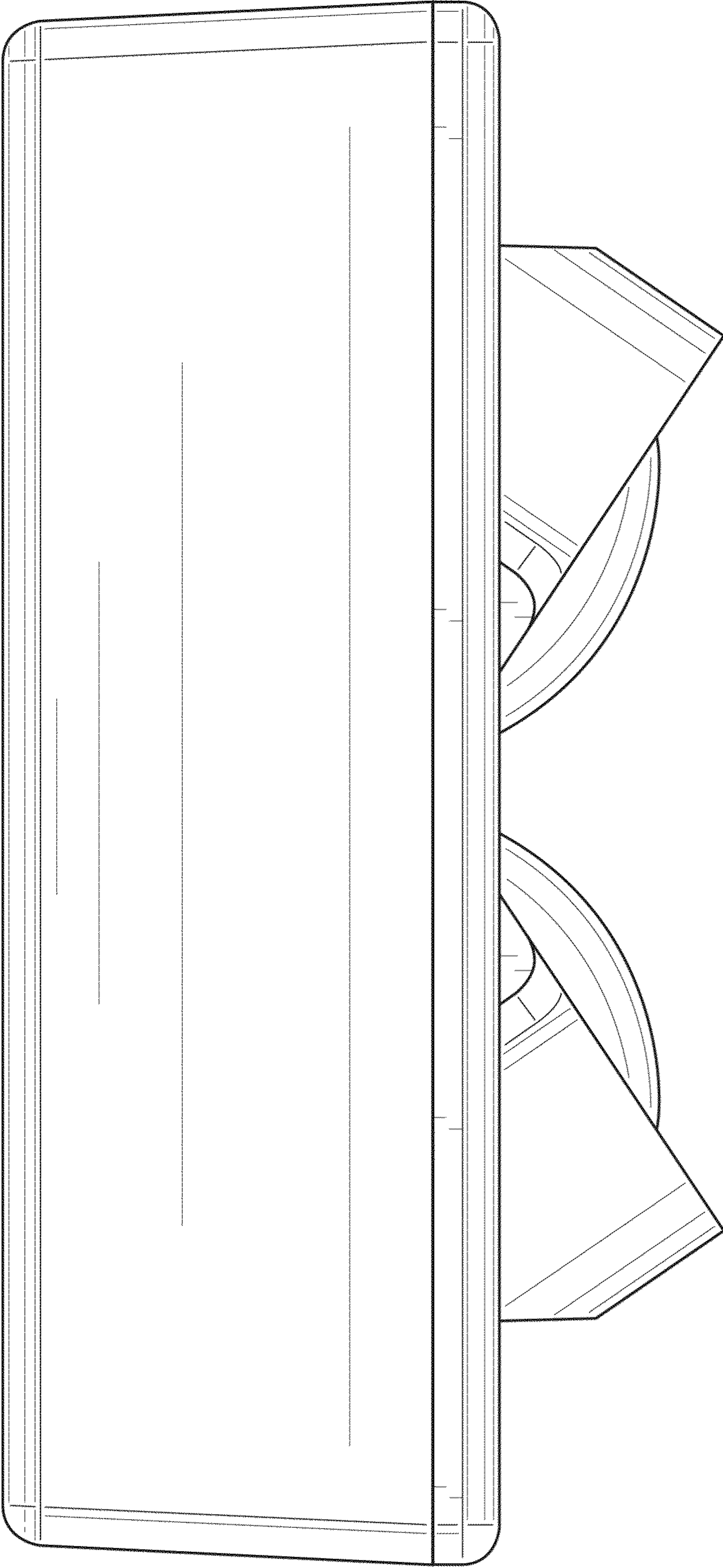


FIG. 4



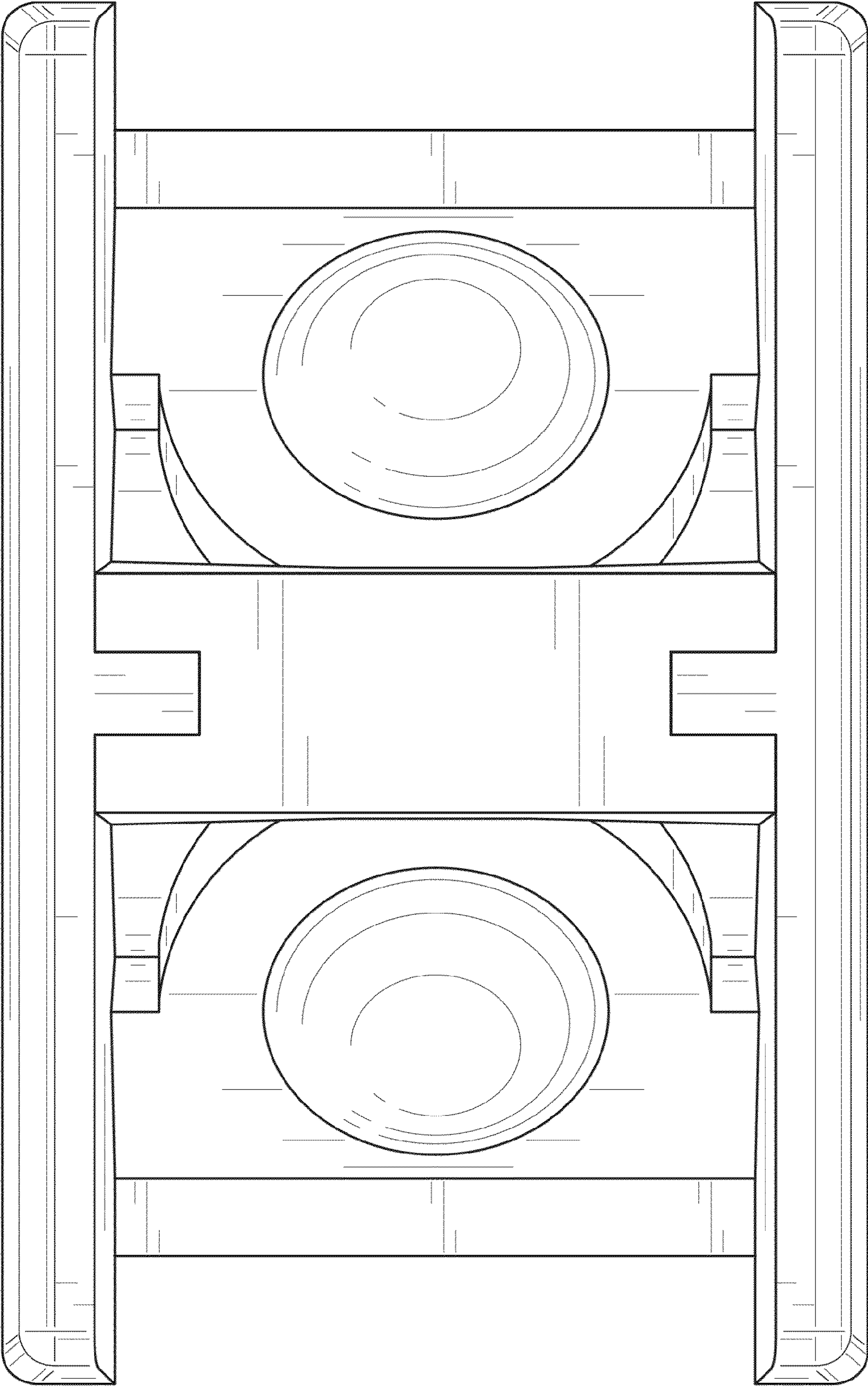


FIG. 5

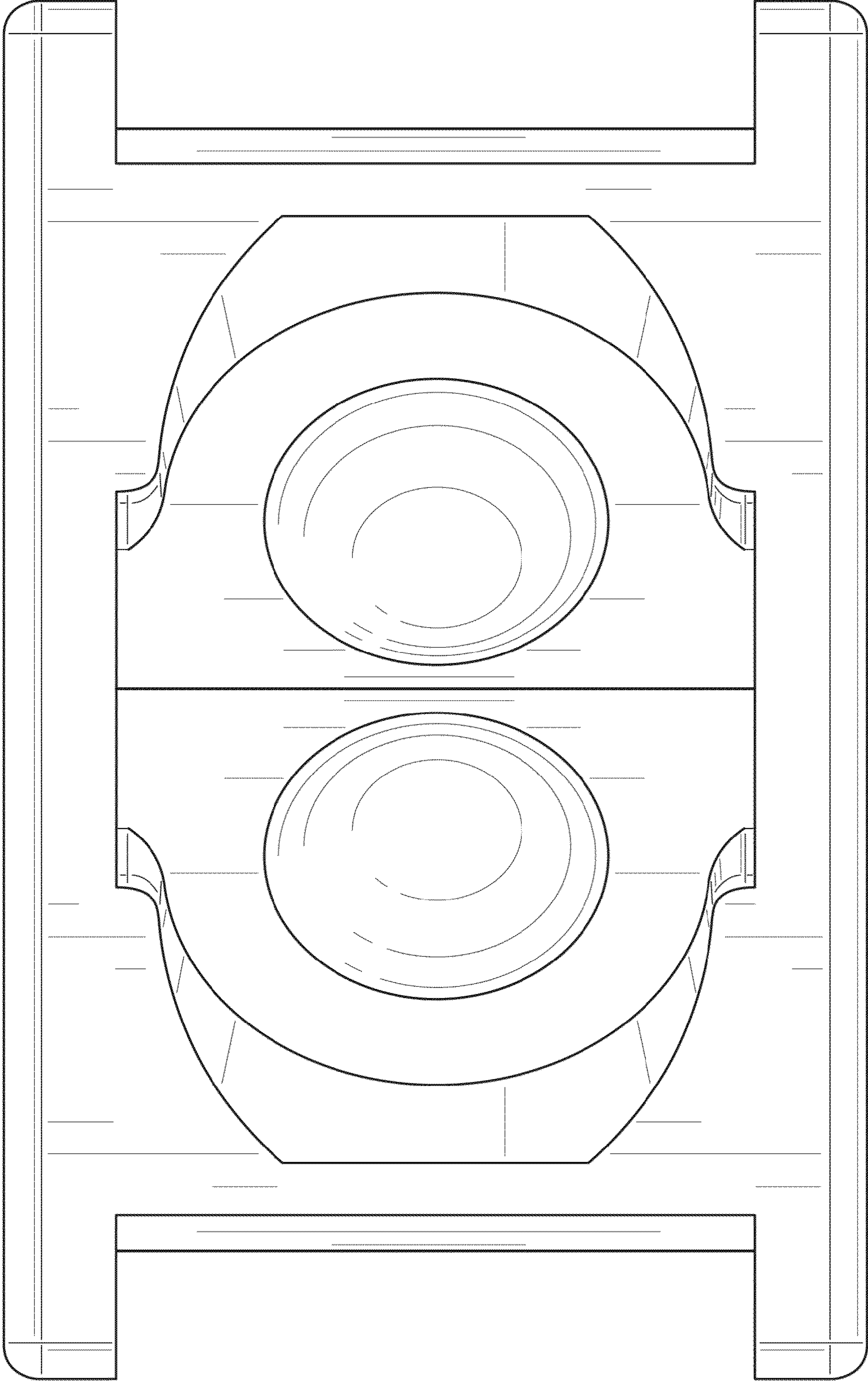


FIG. 6