



US00D745181S

(12) **United States Design Patent**  
**Schroer et al.**

(10) **Patent No.:** **US D745,181 S**  
(45) **Date of Patent:** **\*\* Dec. 8, 2015**

(54) **MAGNETIC STIRRER**

(71) Applicant: **IKA - Werke GmbH & Co. KG**, Staufen (DE)

(72) Inventors: **Erhard Schroer**, Ulm (DE); **Sebastian Wiegert**, Freiburg (DE)

(73) Assignee: **IKA—Werke GmbH & Co. KG**, Staufen (DE)

(\*\*) Term: **14 Years**

(21) Appl. No.: **29/507,348**

(22) Filed: **Oct. 27, 2014**

**Related U.S. Application Data**

(62) Division of application No. 29/480,836, filed on Jan. 30, 2014, now Pat. No. Des. 718,464, which is a division of application No. 29/420,236, filed on May 7, 2012, now Pat. No. Des. 701,616.

**Foreign Application Priority Data**

Feb. 17, 2012 (WO) ..... DM/077 723

(51) **LOC (10) Cl.** ..... **24-00**

(52) **U.S. Cl.**  
USPC ..... **D24/220**

(58) **Field of Classification Search**

USPC ..... D24/220, 221, 216, 224, 231, 232, 197, D24/110, 133; D23/209, 365; D7/679, 682, D7/372–374, 383, 384, 597, 400, 191, 545, D7/509, 316, 565, 667, 317, 587; 241/168, 241/169, 169.1–169.2, 199.11, 273.2, 286, 241/262, 136, 30; D15/5; 604/708; 134/158

See application file for complete search history.

(56) **References Cited**

**U.S. PATENT DOCUMENTS**

D205,416 S	8/1966	Gulotta	
D244,379 S *	5/1977	Moon .....	D24/221
D258,085 S *	1/1981	Porteous .....	D24/221
D270,371 S	8/1983	Lee et al.	
D364,249 S	11/1995	Cannata-Nowell	
D426,312 S *	6/2000	Gomes .....	D24/220
D511,367 S	11/2005	Bowling	
D569,988 S *	5/2008	Koop .....	D24/220
D596,309 S *	7/2009	Tien et al. ....	D24/220
D660,453 S *	5/2012	Jani et al. ....	D24/220
2011/0103175 A1 *	5/2011	Waldmann et al. ....	366/141
2011/0165023 A1 *	7/2011	Eble .....	422/68.1

**OTHER PUBLICATIONS**

[http://www.fisherbiotec.com.au/shop/product/magnetic\\_stirrer/228](http://www.fisherbiotec.com.au/shop/product/magnetic_stirrer/228)  
searched RMS Jul. 9, 2013.

(Continued)

*Primary Examiner* — Holly Baynham

*Assistant Examiner* — Rhea Shields

(74) *Attorney, Agent, or Firm* — Volpe and Koenig, P.C.

(57) **CLAIM**

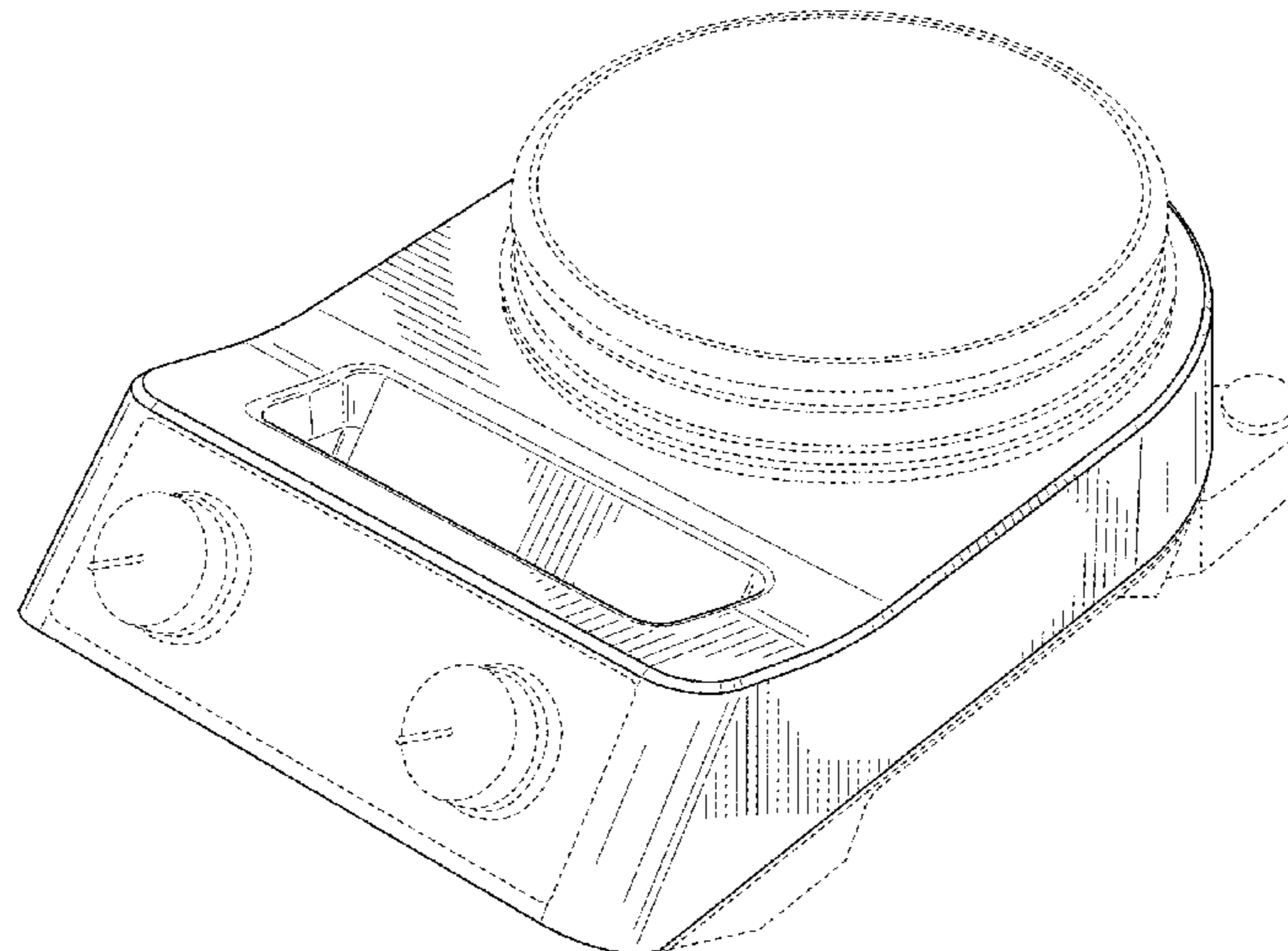
The ornamental design for a magnetic stirrer, as shown and described.

**DESCRIPTION**

FIG. 1 is a top, front, right perspective view of a magnetic stirrer in accordance with our design;  
FIG. 2 is a front elevational view thereof;  
FIG. 3 is a rear elevational view thereof;  
FIG. 4 is a right side elevational view thereof;  
FIG. 5 is a left side elevational view thereof;  
FIG. 6 is a top plan view thereof; and,  
FIG. 7 is a bottom view thereof.

The broken lines shown form no part of the claimed design.

**1 Claim, 6 Drawing Sheets**



(56)

**References Cited**

OTHER PUBLICATIONS

<http://www.velp.com/en/products/lines/3/family/38/> searched RMS  
Jul. 9, 2013/.

<http://www.dhgate.com/product/vortexers-vortex-mixer-/133025270.html> searched RMS Jul. 8, 2013.

[http://www.labunlimited.com/Online-Shop/Laboratory/Stirring-Shaking-Mixing/Magnetic . . .](http://www.labunlimited.com/Online-Shop/Laboratory/Stirring-Shaking-Mixing/Magnetic...) searched RMS Jul. 9, 2013.

\* cited by examiner

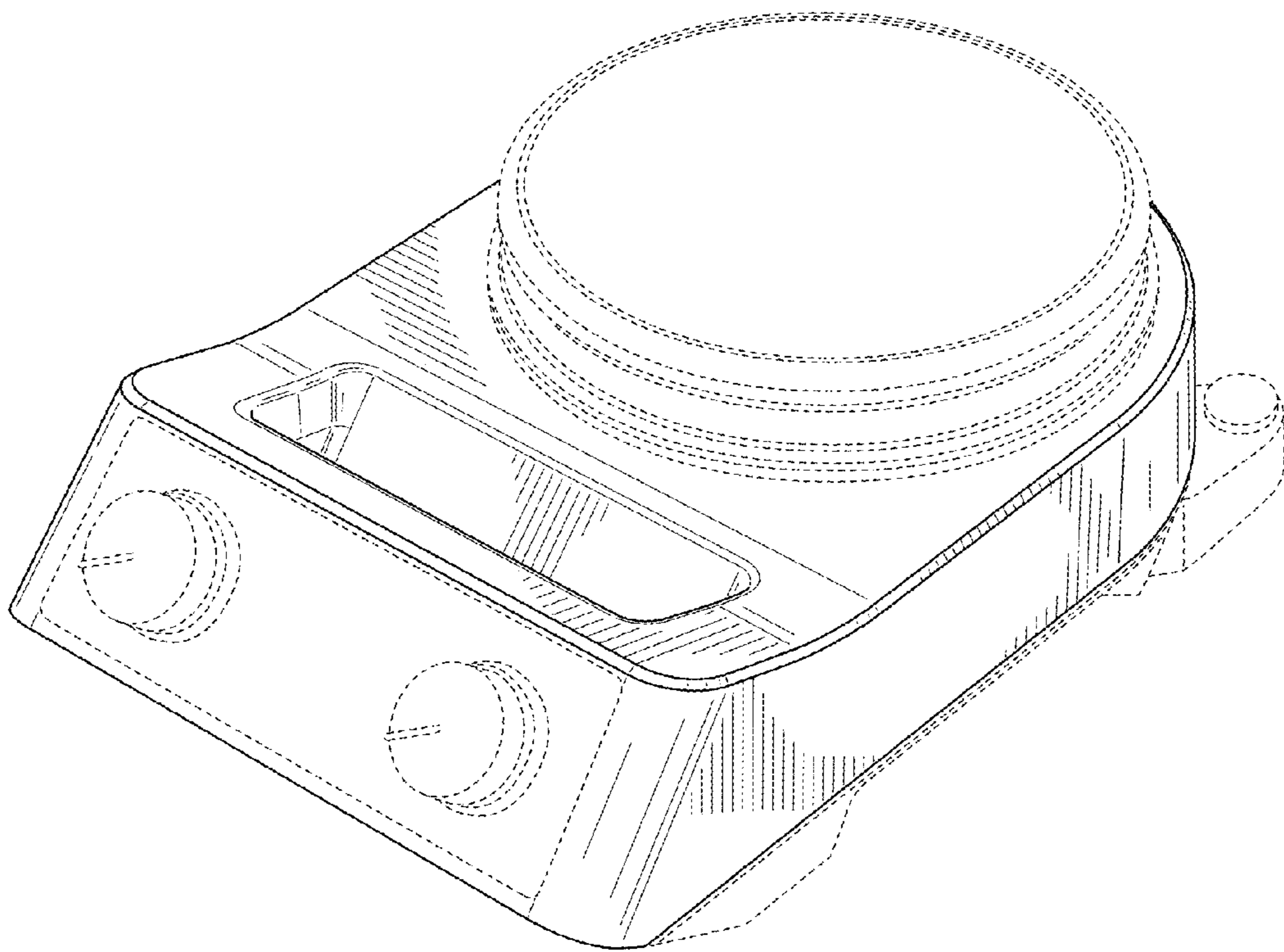
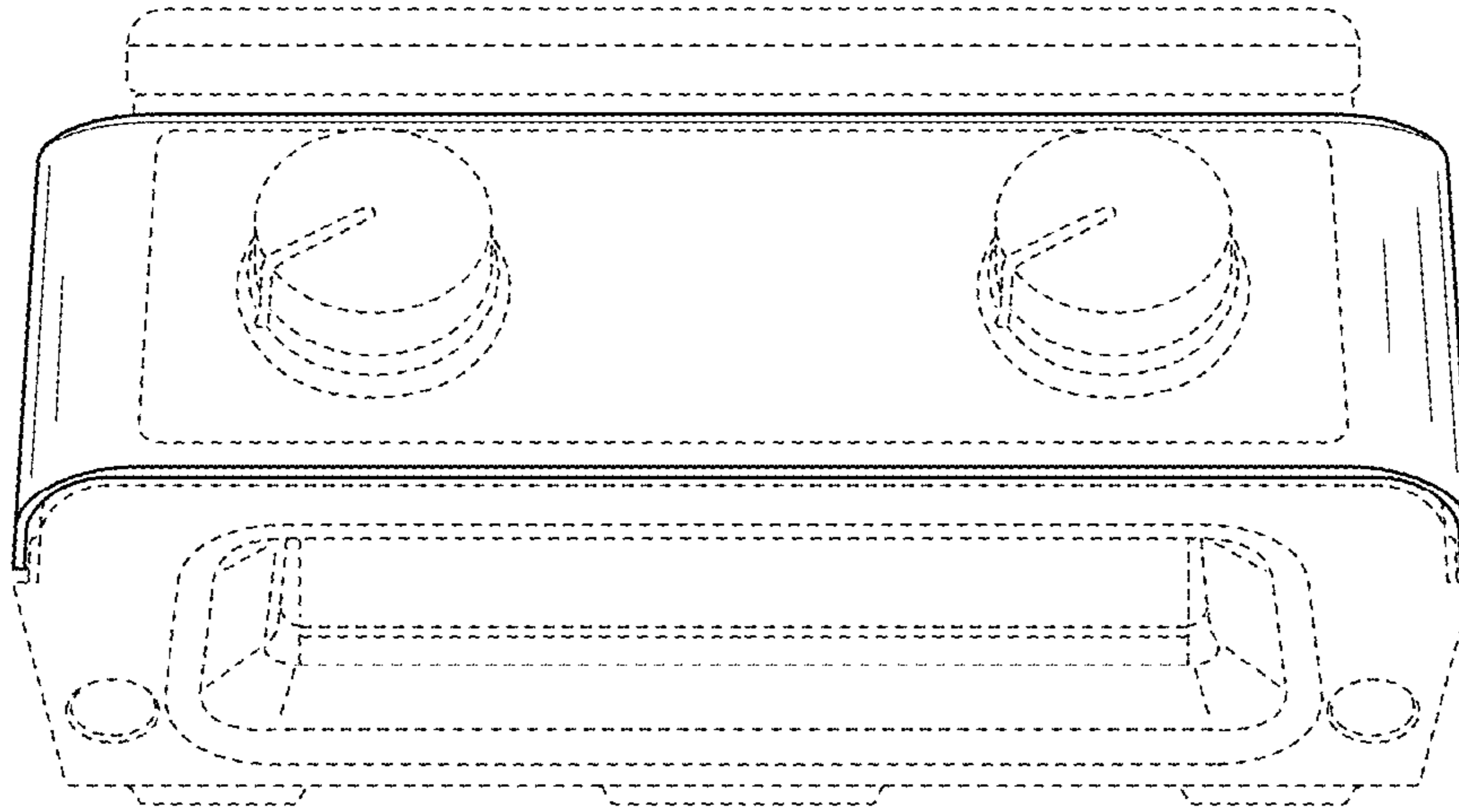
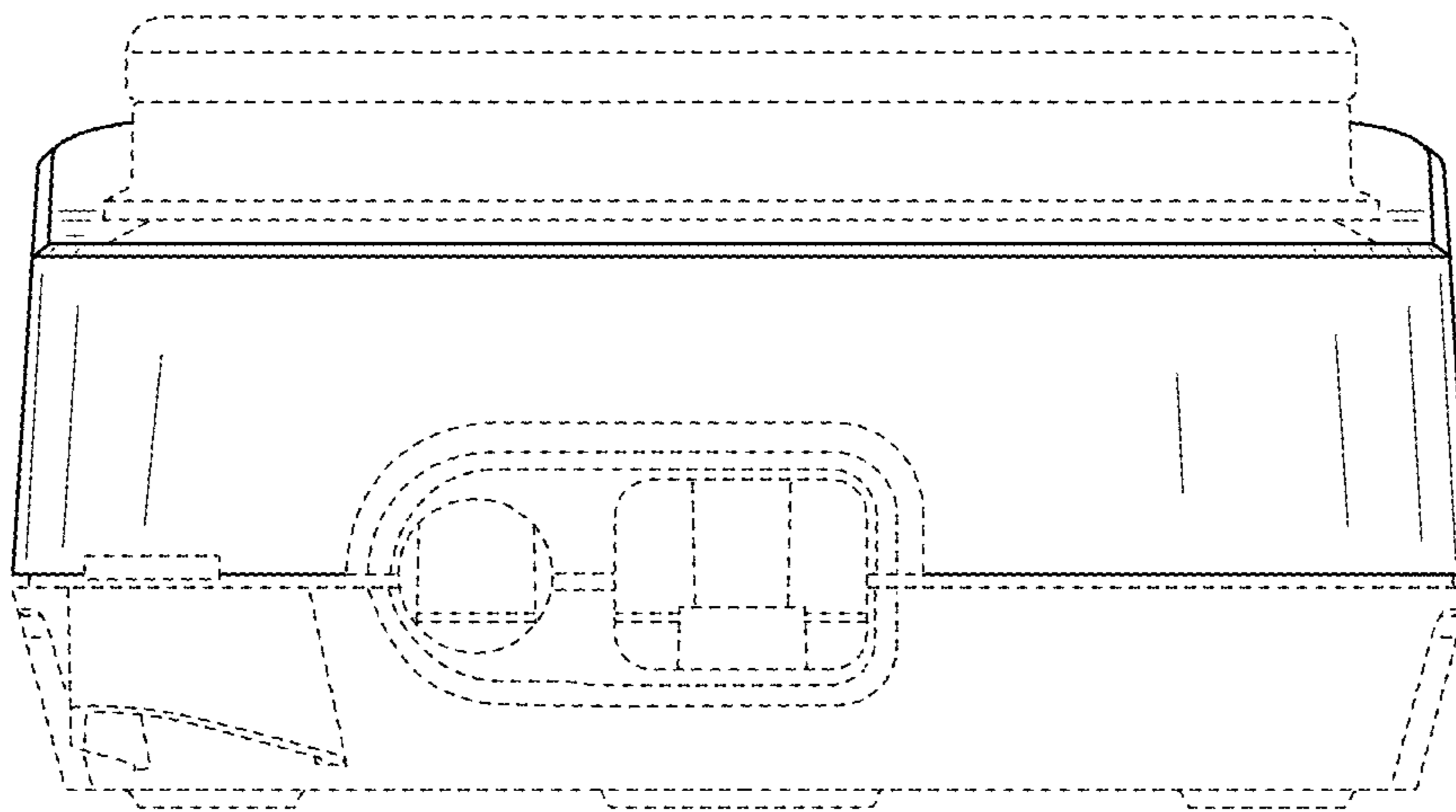


Fig. 1



**FIG. 2**



**FIG. 3**

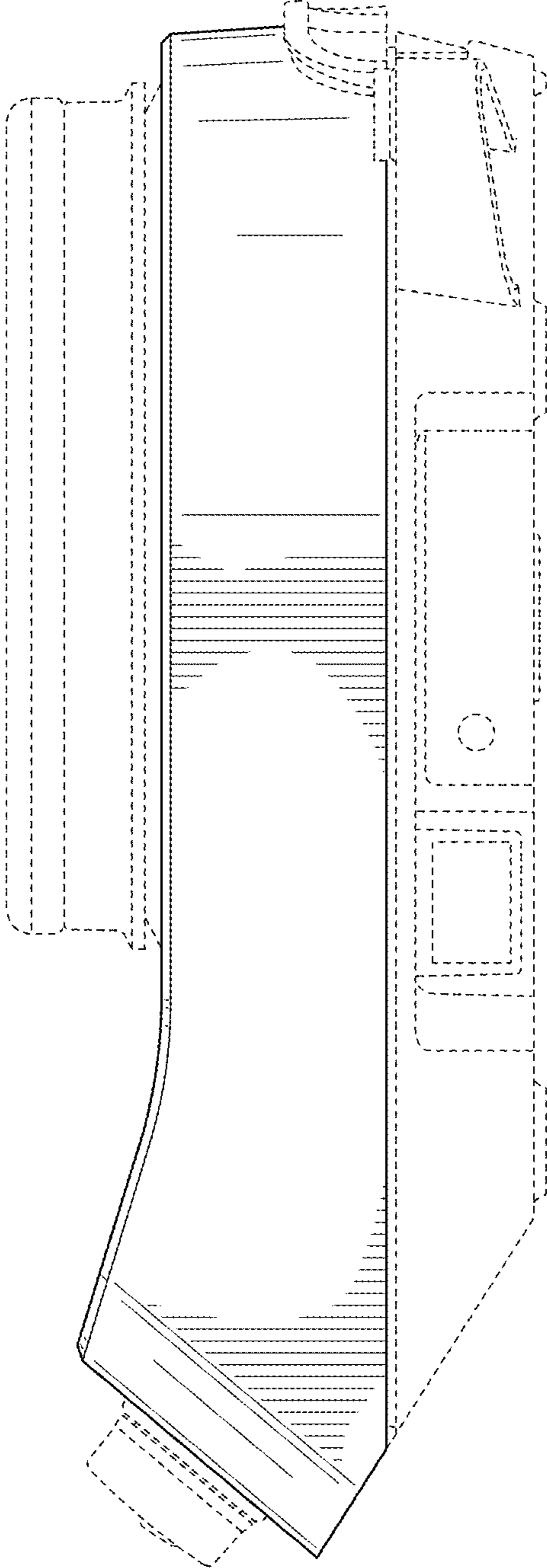


Fig. 4

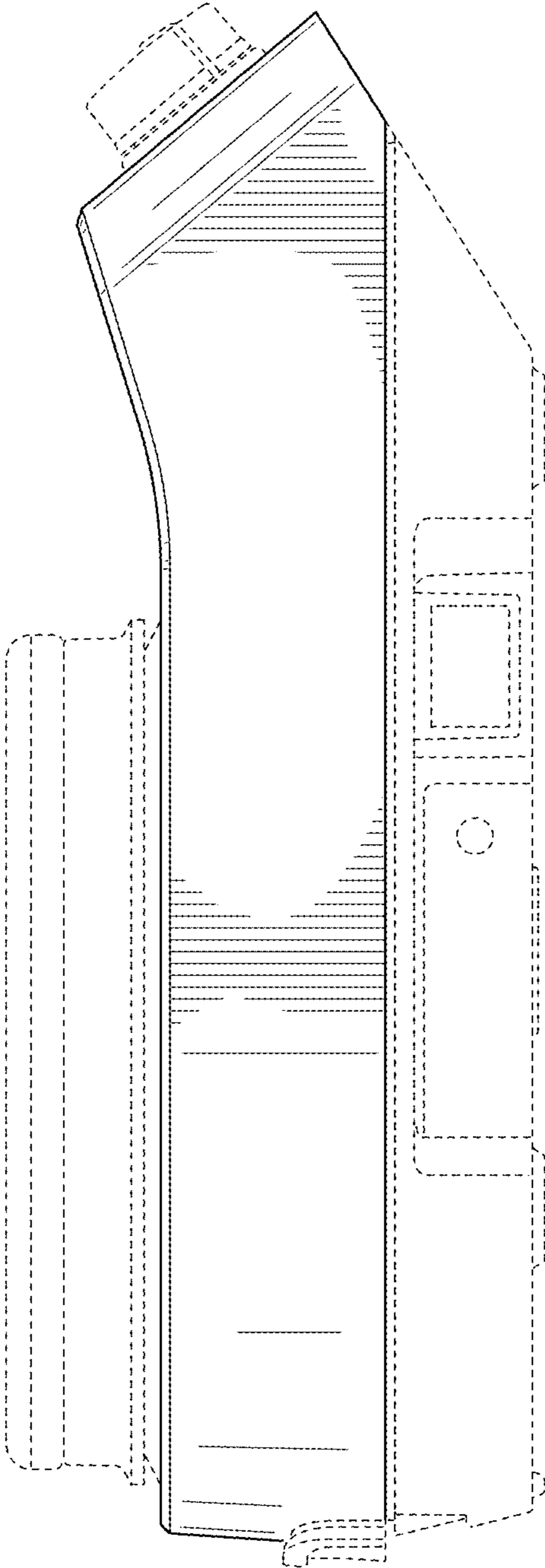


Fig. 5

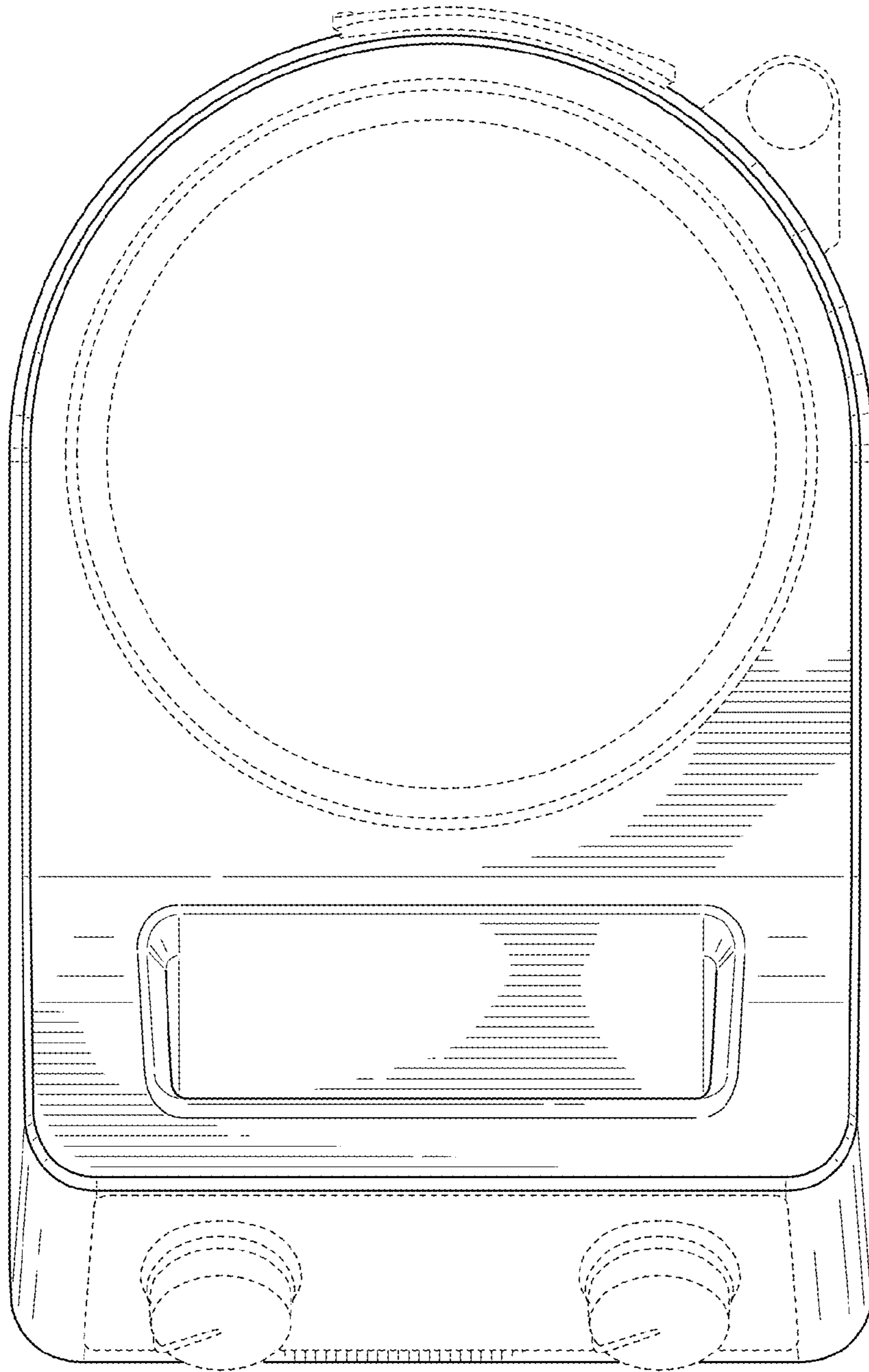


Fig. 6

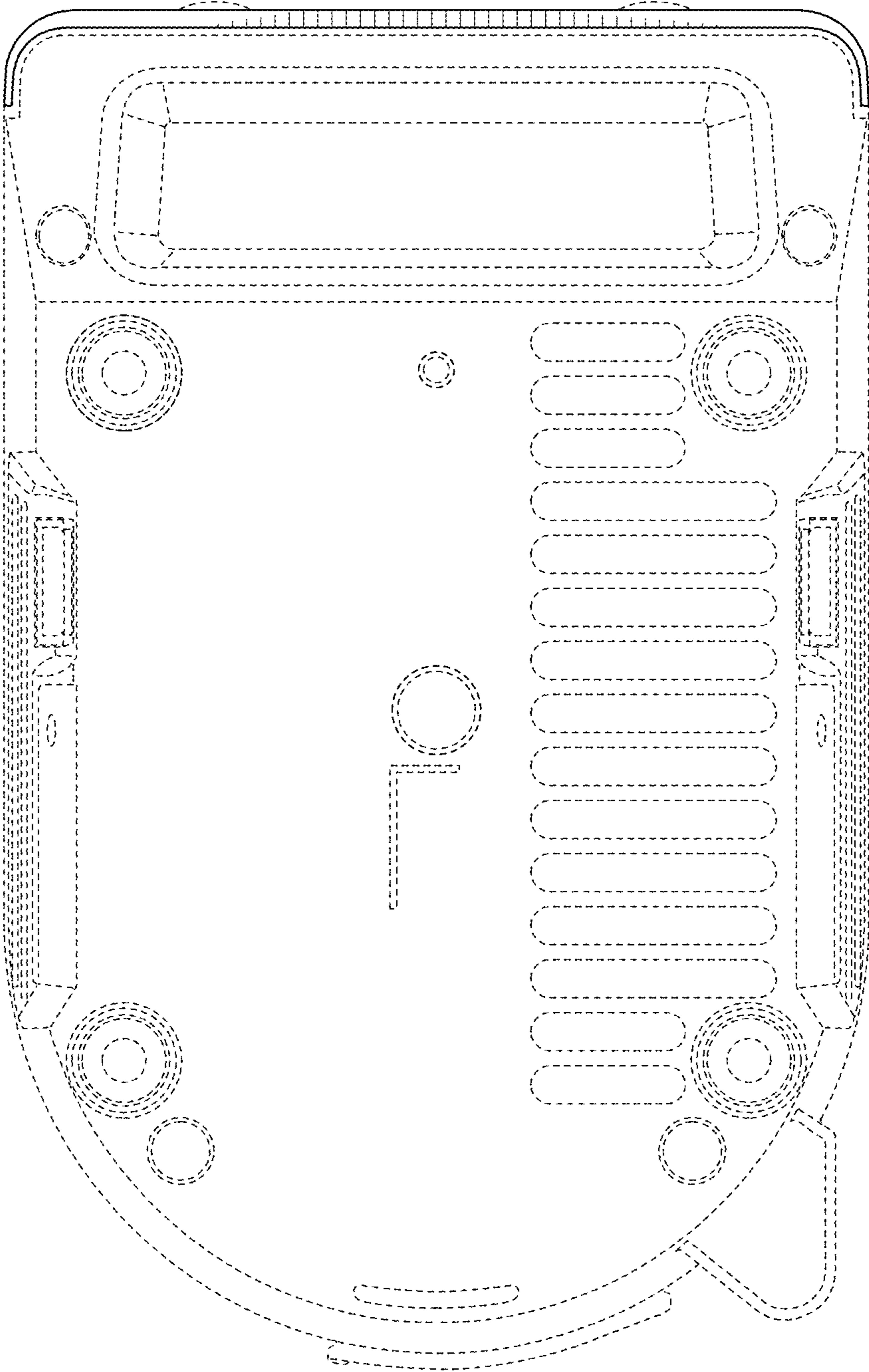


FIG. 7