



US00D745180S

(12) **United States Design Patent**
Stanbridge et al.

(10) **Patent No.:** **US D745,180 S**

(45) **Date of Patent:** **** Dec. 8, 2015**

(54) **MASSAGER HEAD**

(71) Applicant: **Rapid Release Technology, LLC**, Santa Ana, CA (US)

(72) Inventors: **Stanley Robert Stanbridge**, Costa Mesa, CA (US); **David Jeffrey Maier**, Irvine, CA (US)

(73) Assignee: **Rapid Release Technology, LLC**, Santa Ana, CA (US)

(**) Term: **14 Years**

(21) Appl. No.: **29/512,745**

(22) Filed: **Dec. 22, 2014**

(51) **LOC (10) Cl.** **28-03**

(52) **U.S. Cl.**
USPC **D24/215**

(58) **Field of Classification Search**
USPC D24/200, 211, 212, 213, 214, 215;
601/19, 27-32, 46, 49, 52, DIG. 12,
601/DIG. 14, DIG. 15, DIG. 16, DIG. 17, 48
CPC A61H 2201/0153; A61H 2201/0207;
A61H 2201/0263; A61H 2201/0111; A61H
2201/1253; A61H 2205/082; A61H 2205/085;
A61H 15/0085; A61H 19/00; A61H 19/30;
A61H 19/32; A61H 19/40; A61H 19/44;
A61H 19/50

See application file for complete search history.

(56) **References Cited**

U.S. PATENT DOCUMENTS

6,241,694 B1 * 6/2001 Goulding-Thompson
et al. 601/135

D542,926 S *	5/2007	Louis	D24/214
D558,886 S *	1/2008	Chen	D24/214
7,431,706 B2 *	10/2008	Louis	601/135
D630,760 S *	1/2011	Imboden	D24/211
D669,593 S *	10/2012	Elder	D24/215
D711,546 S *	8/2014	Babiarz et al.	D24/211
D718,870 S *	12/2014	Hildebrand	D24/211
D729,940 S *	5/2015	Zeng et al.	D24/215
2014/0358045 A1 *	12/2014	Toto	601/18

* cited by examiner

Primary Examiner — Sandra Snapp

(74) *Attorney, Agent, or Firm* — Novel IP

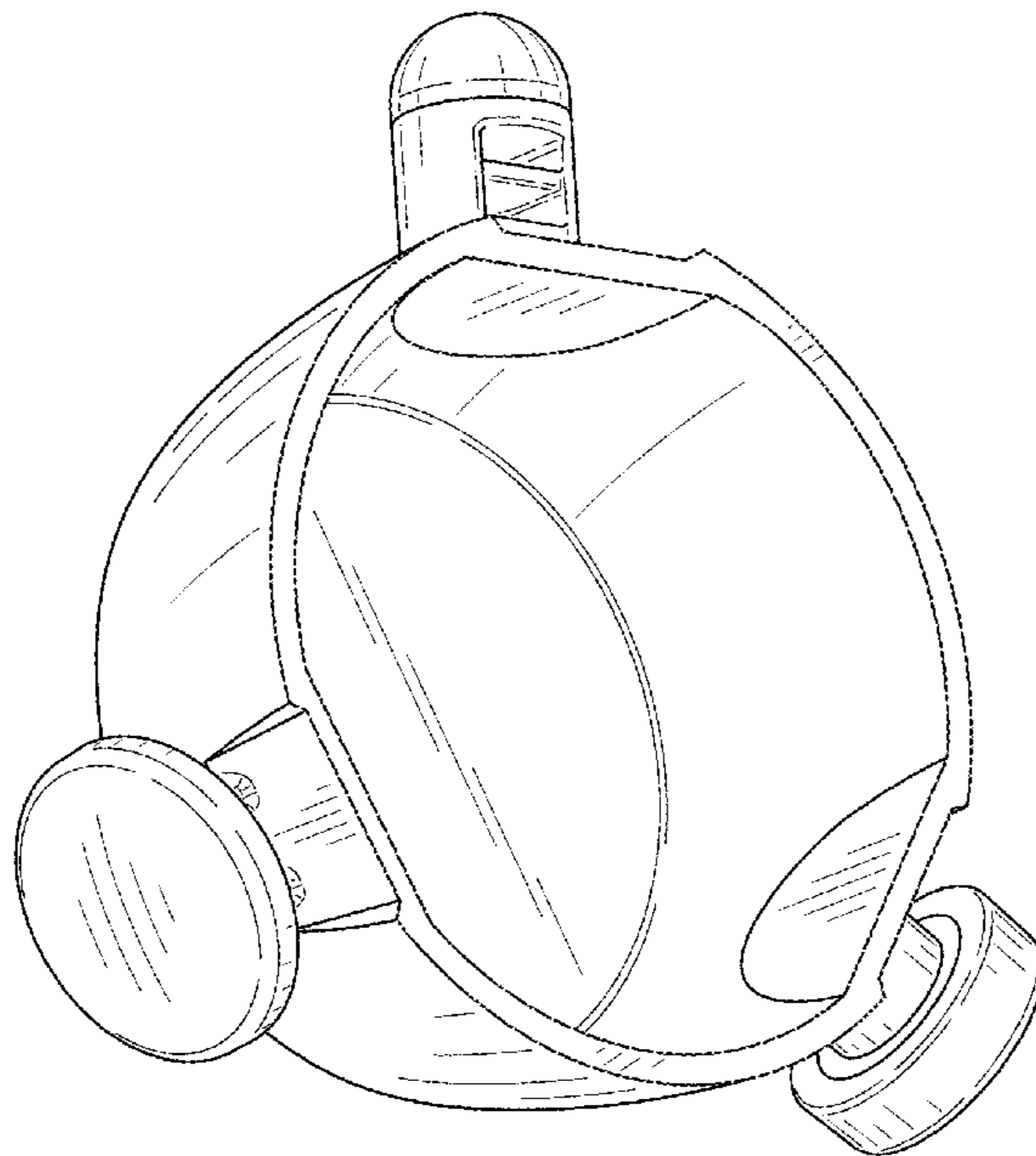
(57) **CLAIM**

The ornamental design for a massager head, as shown and described.

DESCRIPTION

FIG. 1 is a perspective view of a massager head;
FIG. 2 is a top plan view thereof;
FIG. 3 is a bottom plan view thereof;
FIG. 4 is a side view thereof;
FIG. 5 is a side view thereof;
FIG. 6 is a side view thereof;
FIG. 7 is a side view thereof; and,
FIG. 8 is a perspective view thereof.
The short broken lines in FIGS. 1 to 8 illustrate environmental features, such as shading, that form no part of the claimed design. The concentric circles on the center surface of the massager head, as shown in FIGS. 1 and 2, illustrate a massaging applicator surface and form part of the claimed design. The article in which the design is embodied is intended to be used as an applicator head of a massager device.

1 Claim, 5 Drawing Sheets



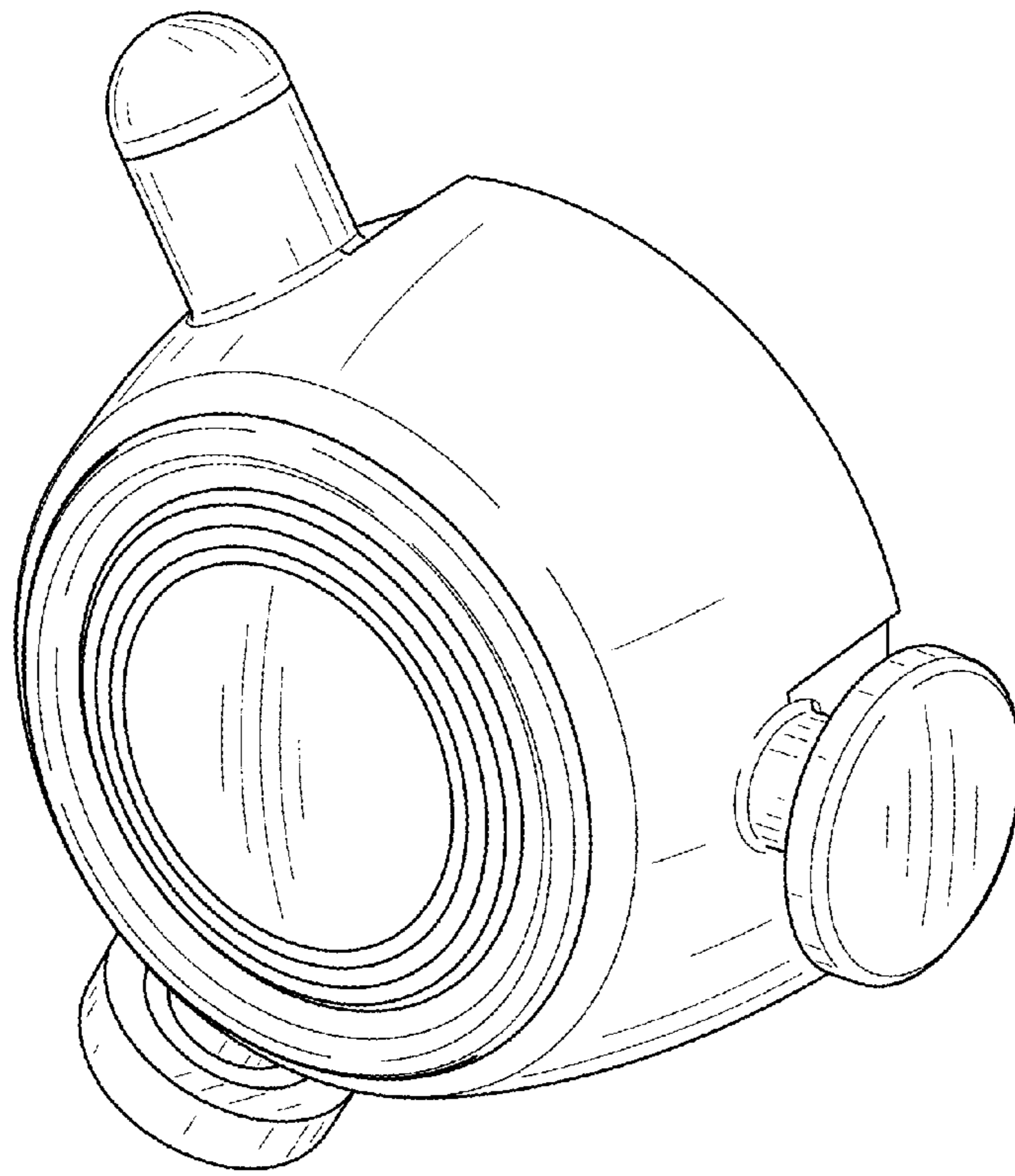


FIG. 1

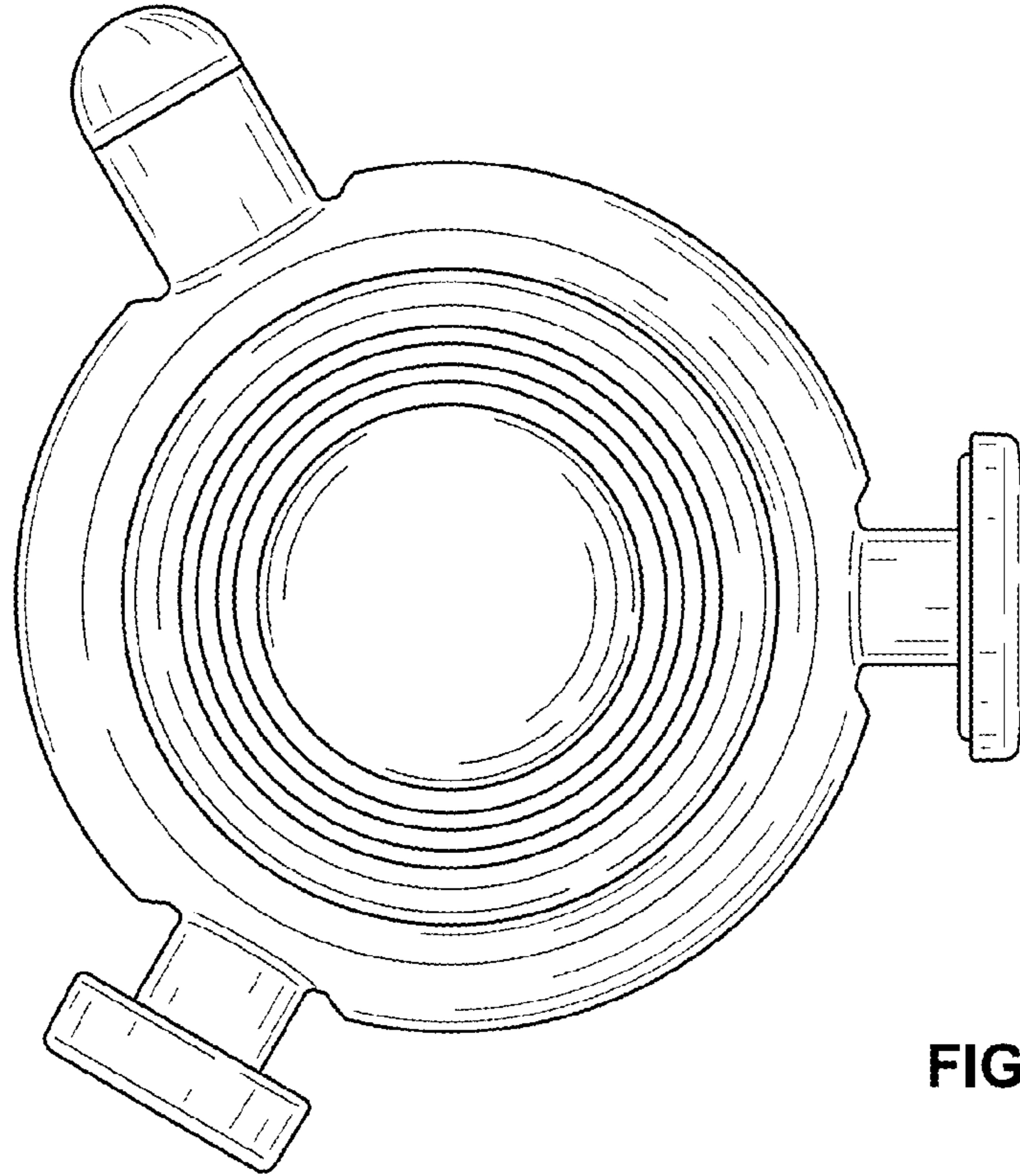


FIG. 2

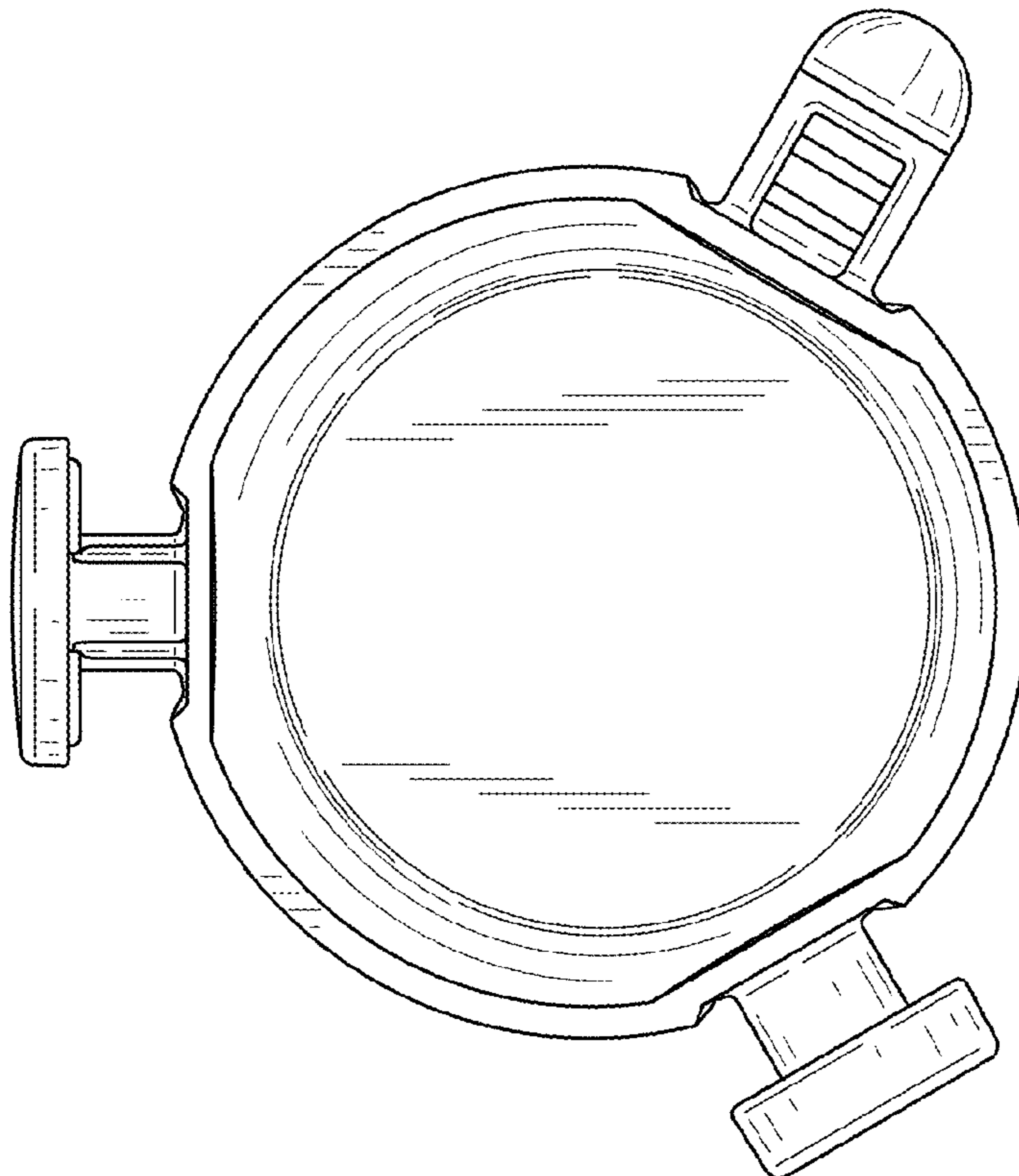


FIG. 3

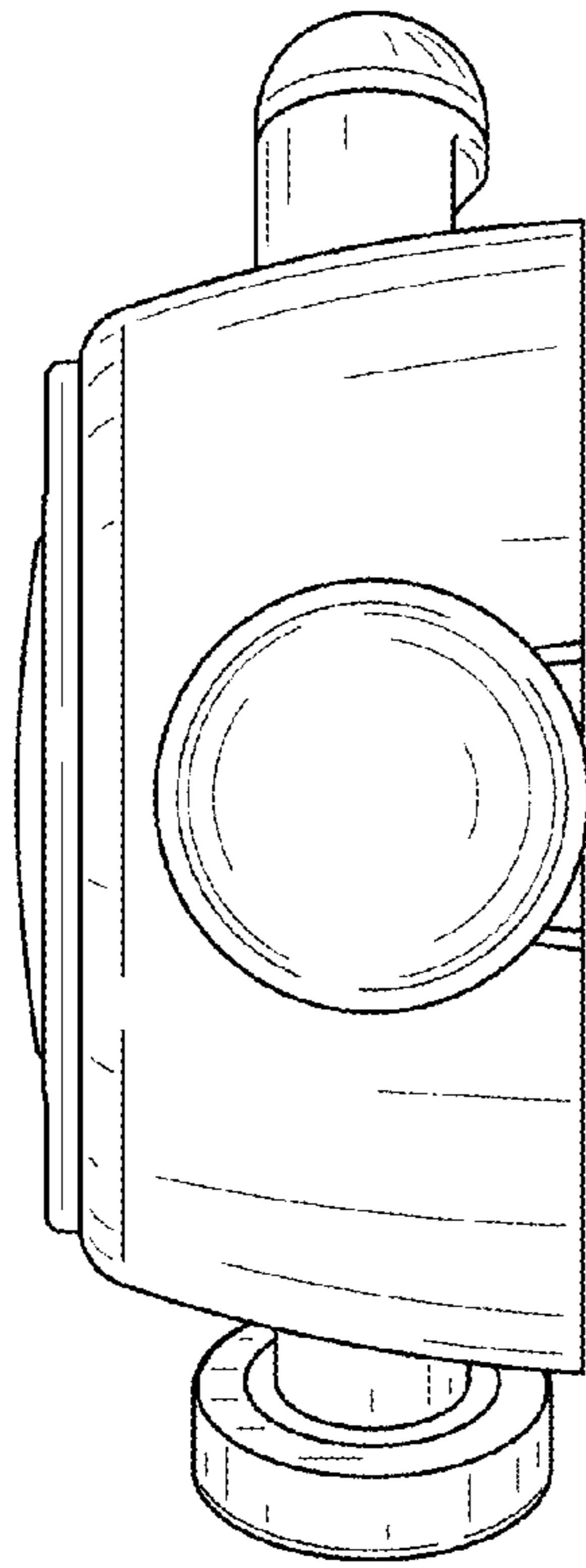


FIG. 4

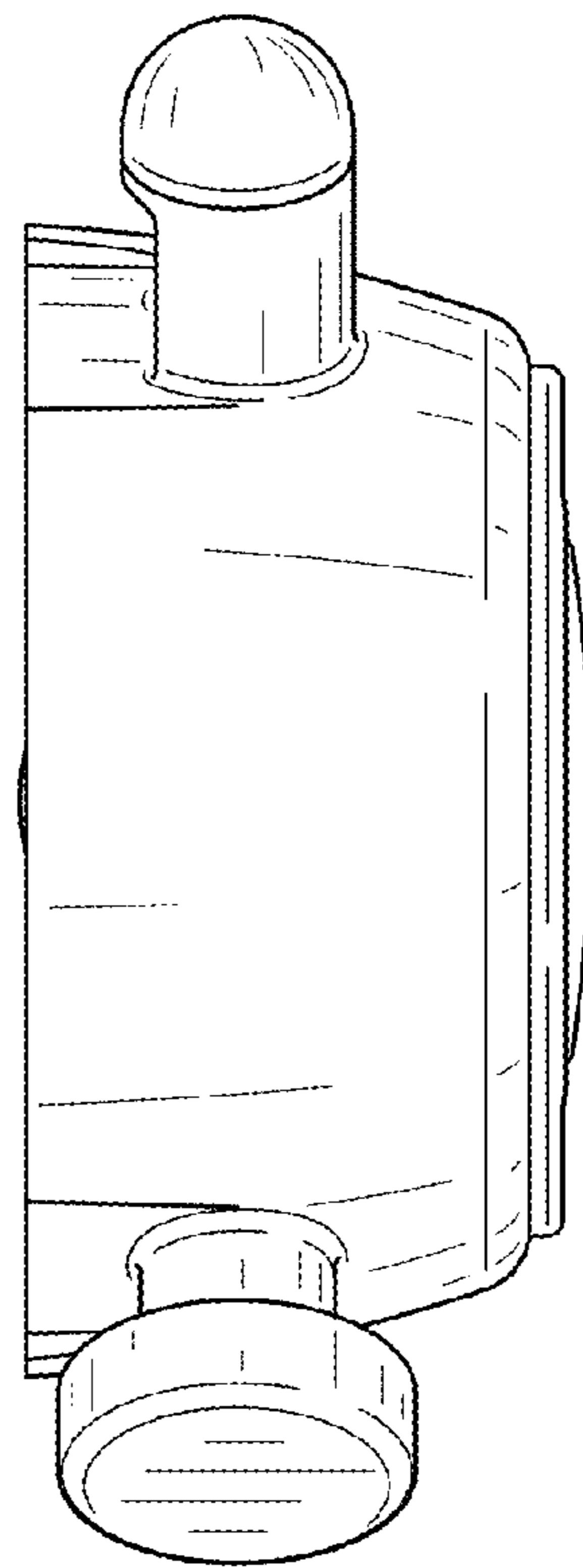


FIG. 5

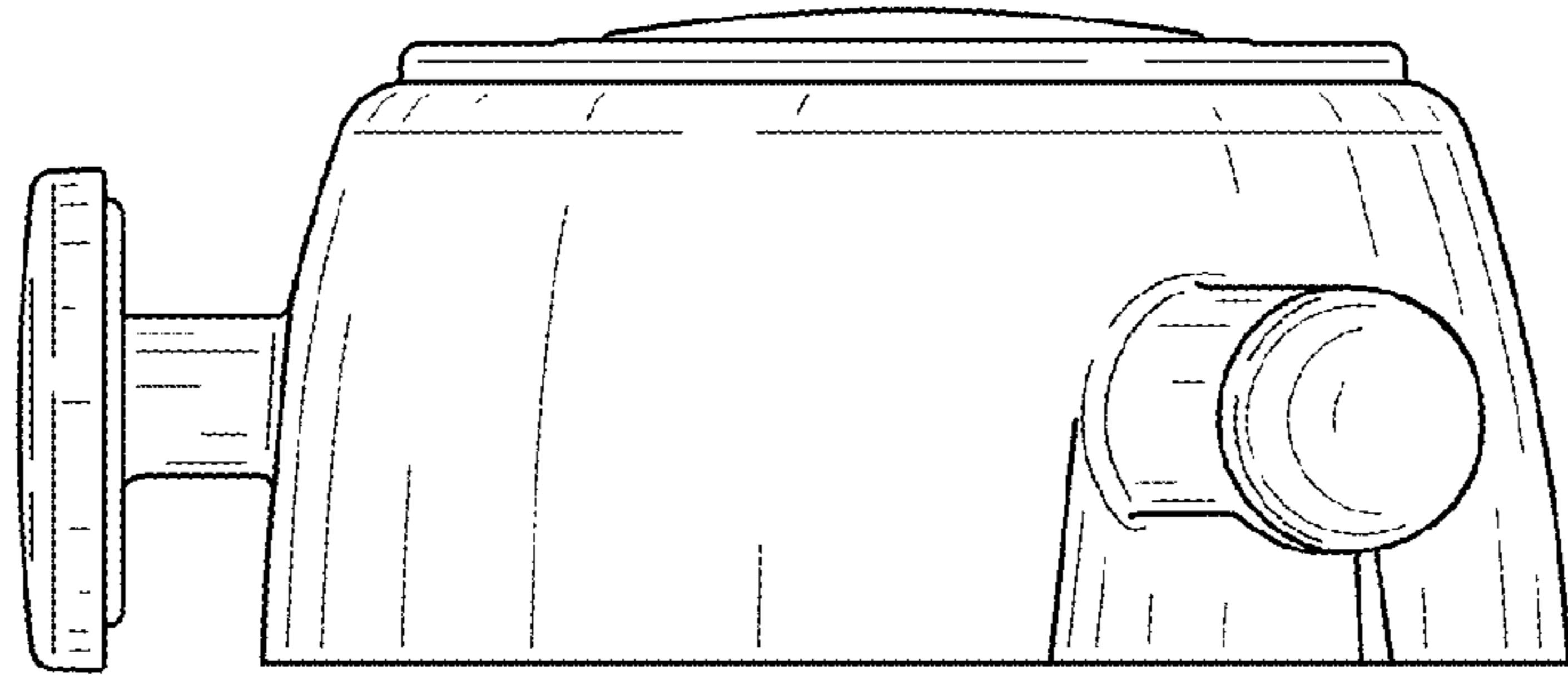


FIG. 6

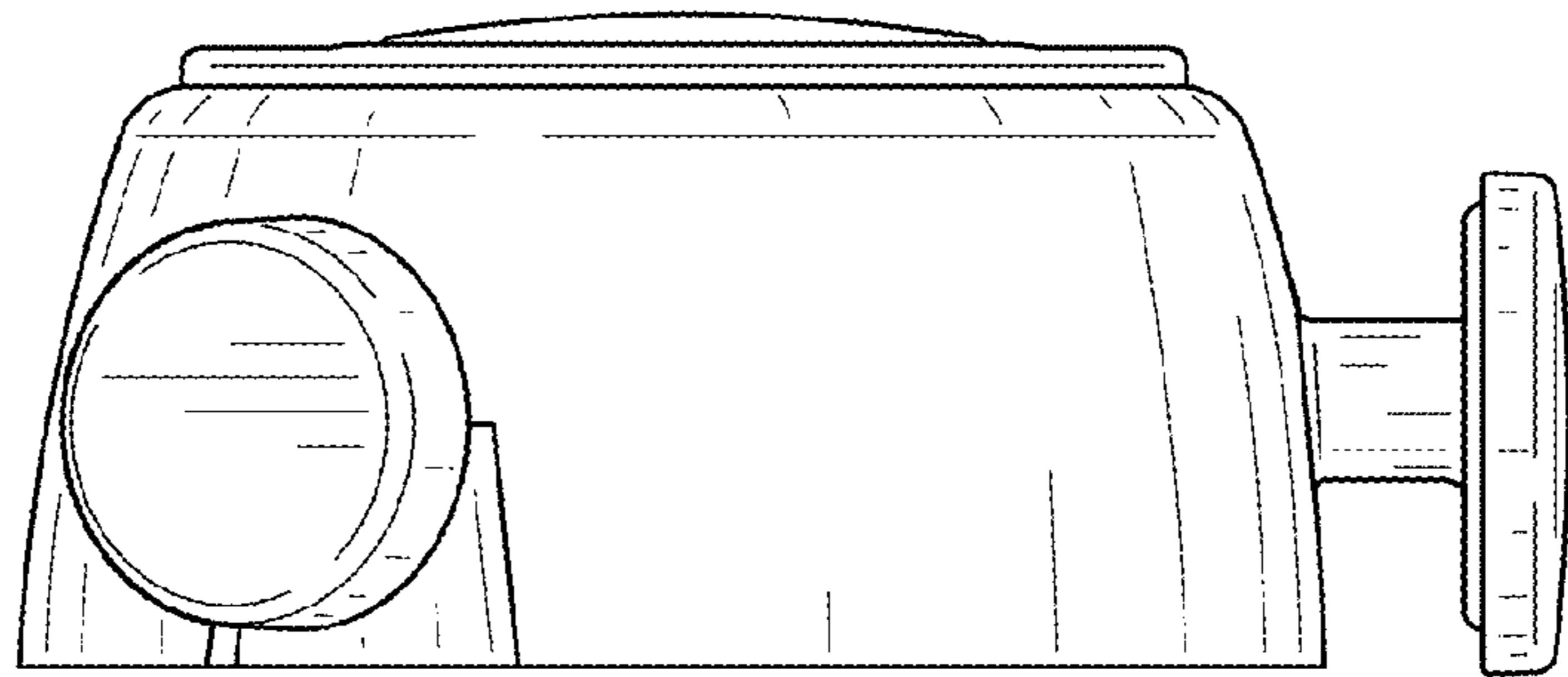


FIG. 7

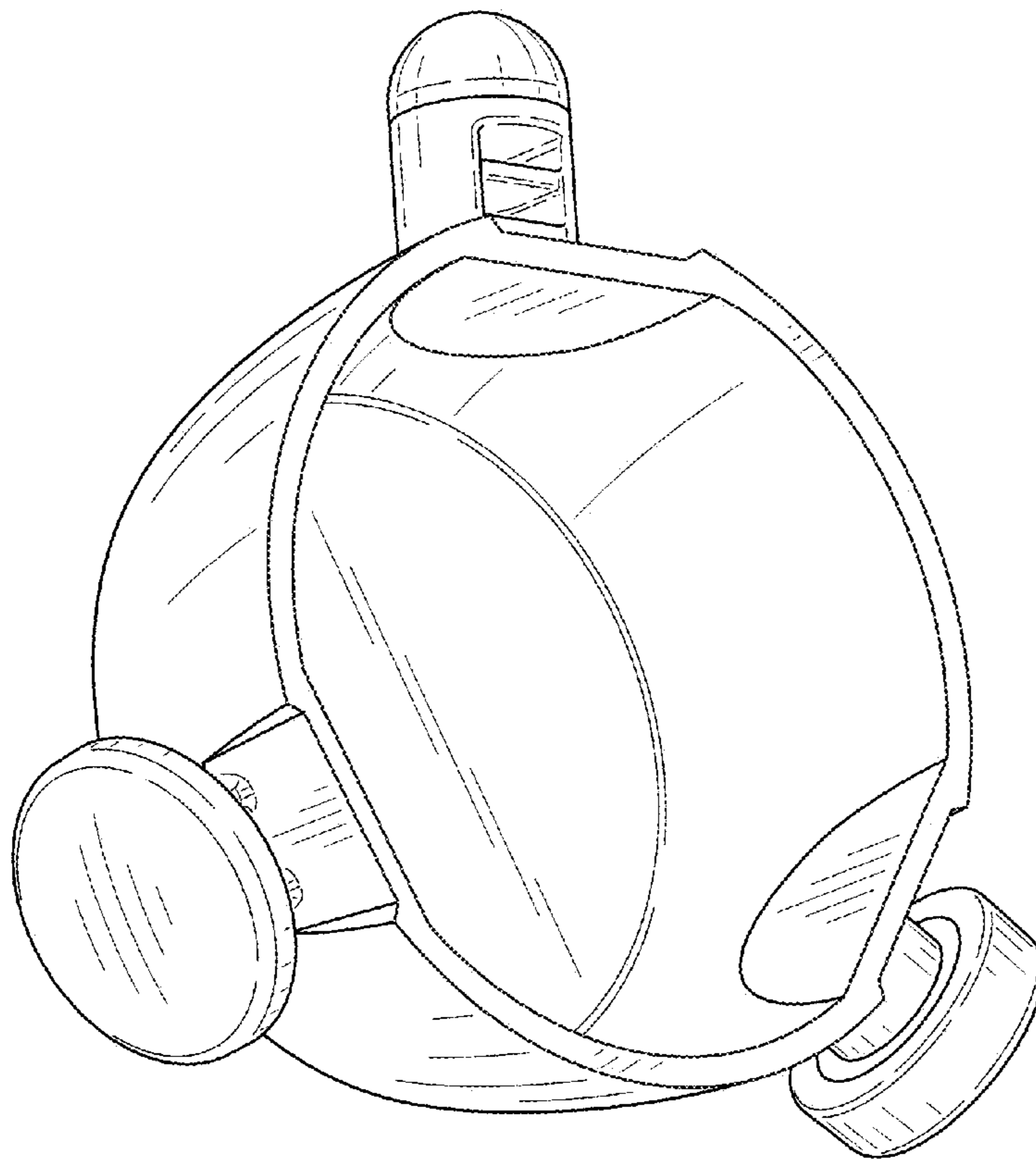


FIG. 8