



US00D745174S

(12) **United States Design Patent**
Gaw

(10) **Patent No.:** **US D745,174 S**

(45) **Date of Patent:** **** Dec. 8, 2015**

(54) **ELECTRODE PAD**

(71) Applicant: **Impedimed Limited**, Pinkenba,
Queensland (AU)

(72) Inventor: **Richelle Leanne Gaw**, Munich (DE)

(73) Assignee: **Impedimed Limited**, Pinkenba (AU)

(**) Term: **14 Years**

(21) Appl. No.: **29/456,877**

(22) Filed: **Jun. 5, 2013**

(51) **LOC (10) Cl.** **24-01**

(52) **U.S. Cl.**
USPC **D24/187**

(58) **Field of Classification Search**
USPC D24/166, 186-187, 200, 231; D10/75;
600/372-397; 601/21
See application file for complete search history.

(56) **References Cited**

U.S. PATENT DOCUMENTS

D232,589 S	8/1974	Hinnenkamp	
D232,590 S	8/1974	Moore et al.	
D425,203 S	5/2000	Sheehan et al.	
D443,063 S	5/2001	Pisani et al.	
D501,558 S	2/2005	Chastain et al.	
D505,206 S	5/2005	Chastain et al.	
D519,636 S	4/2006	Okuda et al.	
D524,943 S	7/2006	Faller et al.	
D541,421 S	4/2007	Metzger et al.	
D557,809 S *	12/2007	Neverov et al. D24/168
D565,183 S	3/2008	Cheng et al.	
D598,110 S	8/2009	Phillips et al.	
D598,111 S	8/2009	Phillips et al.	
D598,114 S	8/2009	Cryan	
D600,351 S	9/2009	Phillips et al.	
D600,352 S	9/2009	Cryan	
D603,051 S *	10/2009	Causevic et al. D24/187
D605,774 S	12/2009	Phillips et al.	
D606,660 S	12/2009	Phillips et al.	

D607,570 S	1/2010	Phillips et al.
D609,353 S	2/2010	Cryan
D613,413 S	4/2010	Gonopolskiy et al.
D615,657 S	5/2010	Anderson et al.
D615,658 S	5/2010	Anderson et al.
D615,659 S	5/2010	Anderson et al.

(Continued)

Primary Examiner — T. Chase Nelson

Assistant Examiner — Mark Cavanna

(74) *Attorney, Agent, or Firm* — Hahn & Voight PLLC;
Roger C. Hahn

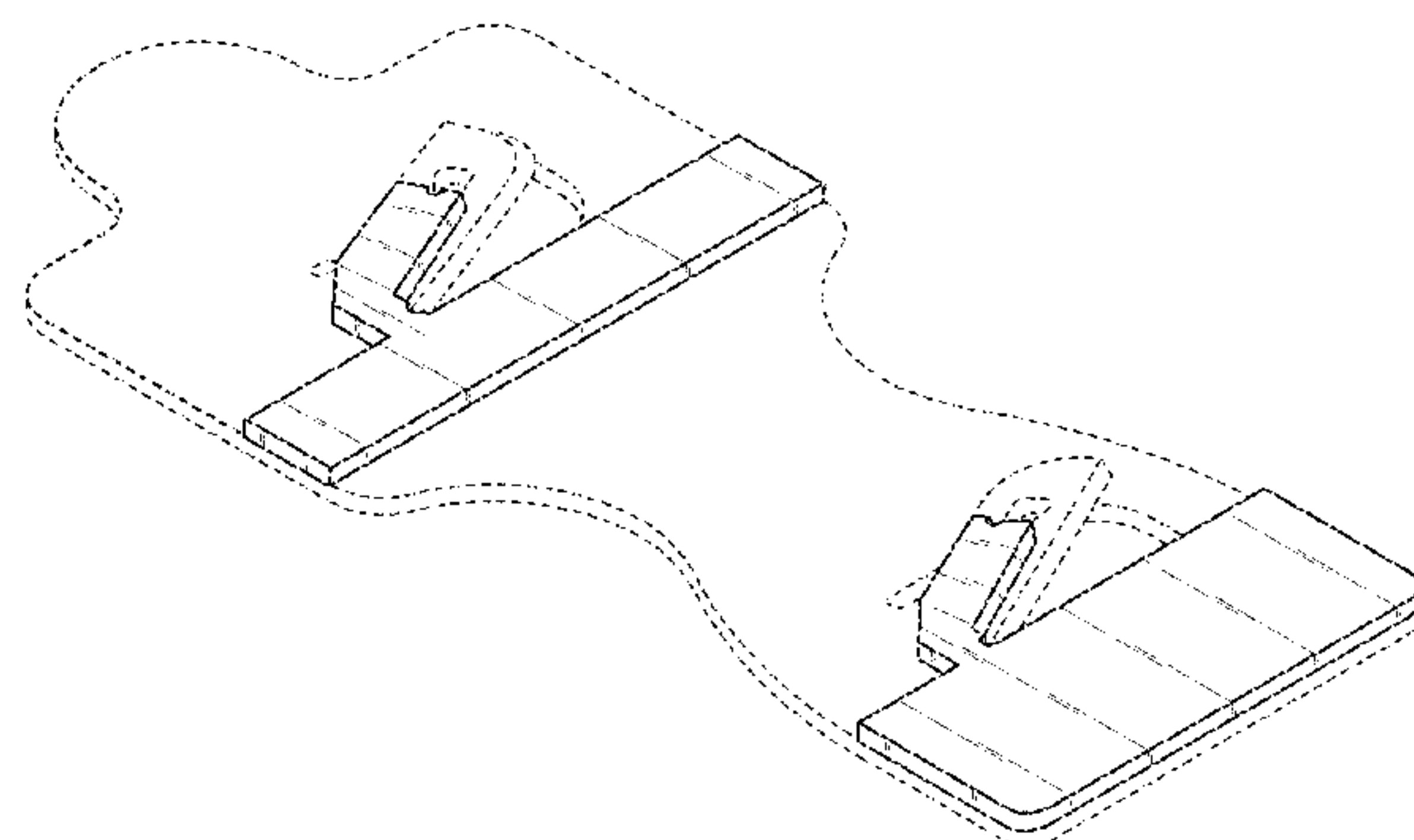
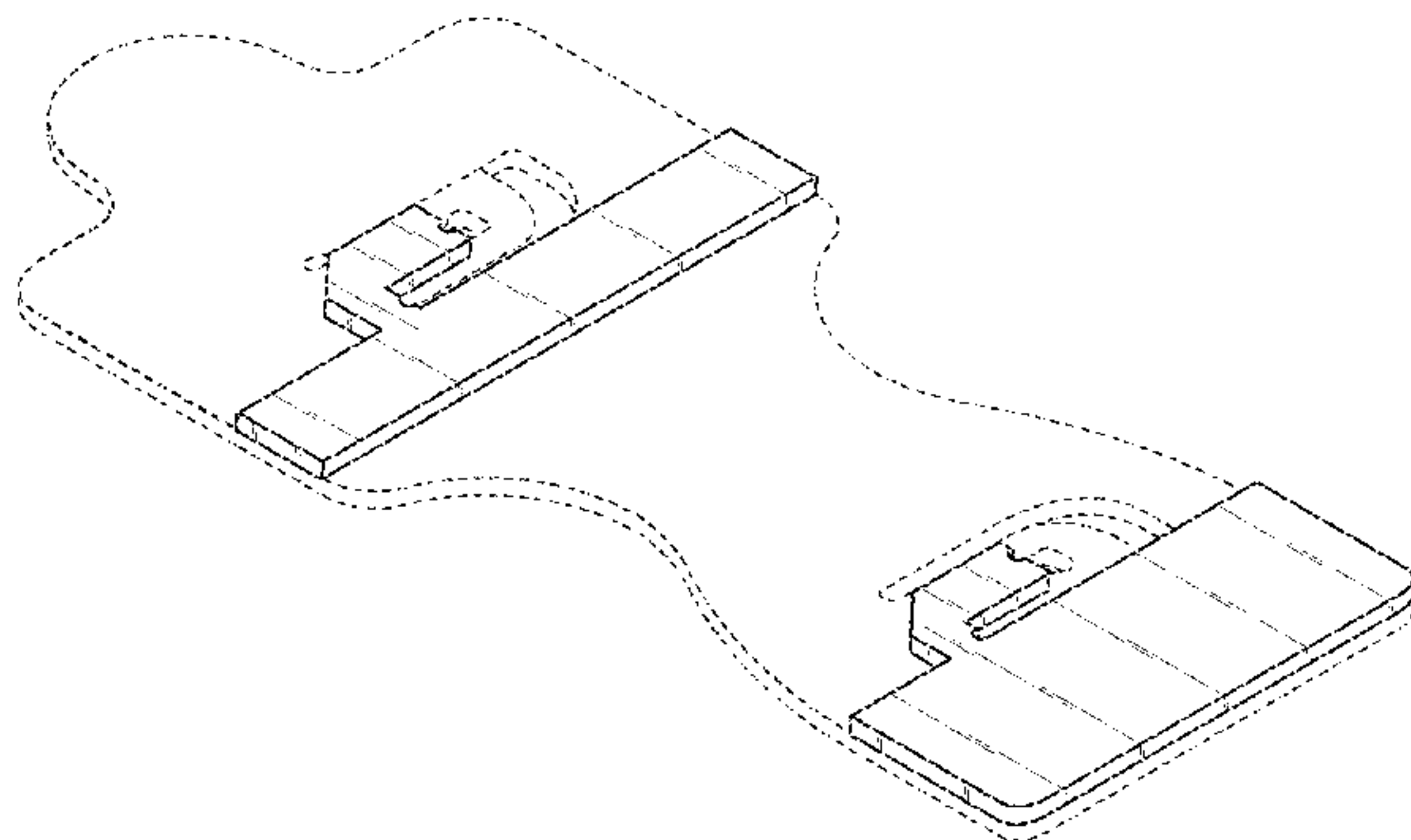
(57) **CLAIM**

I claim the ornamental design for an electrode pad, as shown and described.

DESCRIPTION

FIG. 1 is a perspective view of an electrode pad with the tab portions shown flat, showing my new design; FIG. 2 is a top view of the electrode pad referenced in FIG. 1; FIG. 3 is a bottom view of the electrode pad referenced in FIG. 1; FIG. 4 is a left side view of the electrode pad referenced in FIG. 1; FIG. 5 is a right side view of the electrode pad referenced in FIG. 1; FIG. 6 is a rear view of the electrode pad referenced in FIG. 1; FIG. 7 is a front view of the electrode pad referenced in FIG. 1; FIG. 8 is an exploded view of the central section of the electrode pad referenced in FIG. 1; FIG. 9 is an exploded view of an off-center section of the electrode pad referenced in FIG. 1; FIG. 10 is a perspective view of the electrode pad referenced in FIG. 1 with the tab portions rotated upward; and, FIG. 11 is a perspective view of the electrode pad referenced in FIG. 1 with the tab portions rotated downward. The elements shown in broken lines are for illustrative purposes only and form no part of the claimed design.

1 Claim, 6 Drawing Sheets



(56)

References Cited

U.S. PATENT DOCUMENTS

D615,660 S 5/2010 Anderson et al.
D625,823 S 10/2010 Schneider et al.
D641,886 S * 7/2011 Causevic et al. D24/187
D647,208 S * 10/2011 Rothman et al. D24/187

D669,186 S * 10/2012 Gozani D24/187
D669,187 S * 10/2012 Gozani D24/187
D674,096 S * 1/2013 Gaw et al. D24/187
D718,458 S * 11/2014 Vosch et al. D24/187
D719,660 S * 12/2014 Vosch et al. D24/187
D728,801 S * 5/2015 Machon et al. D24/187

* cited by examiner

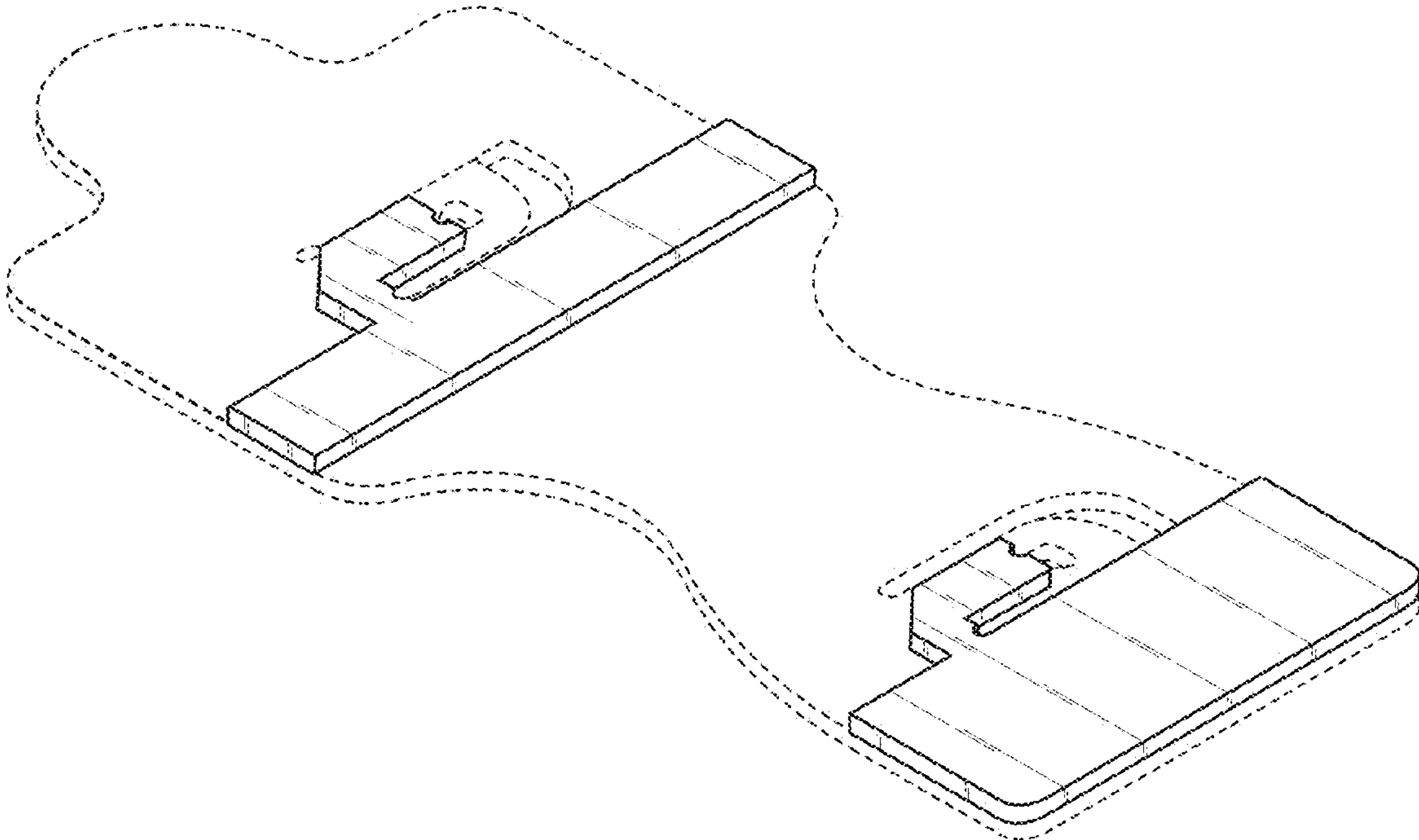


FIG. 1

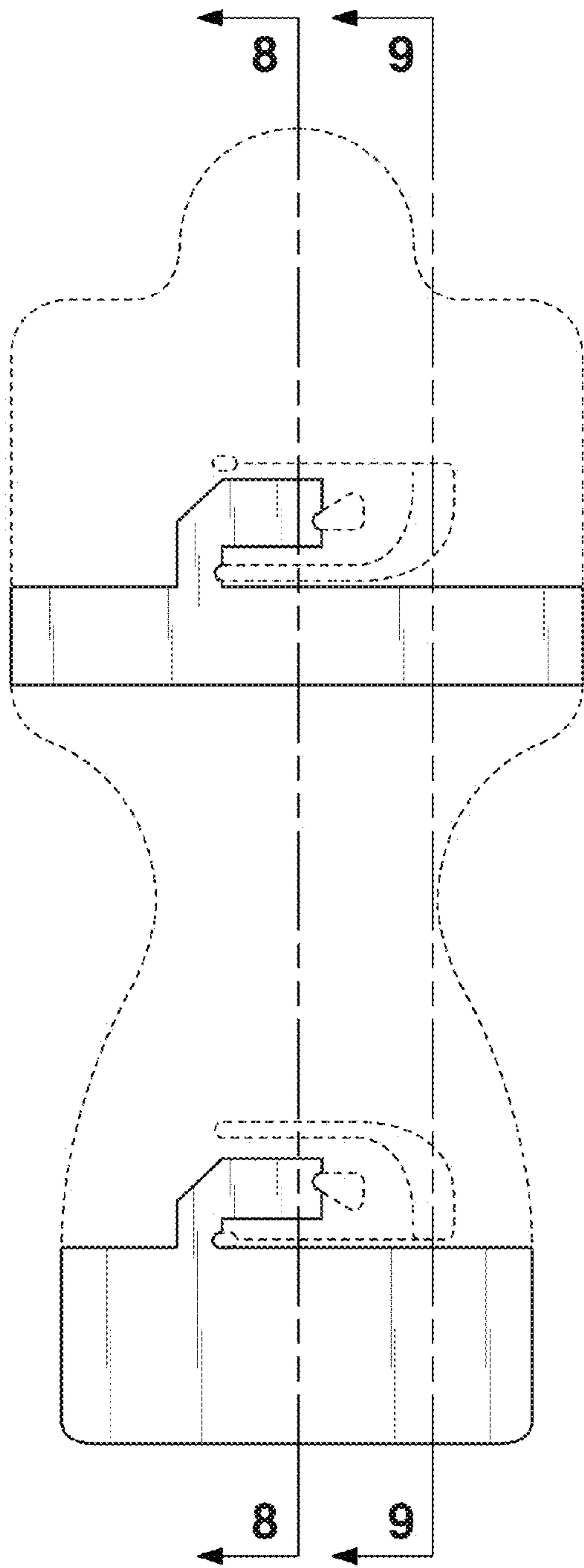


FIG. 2

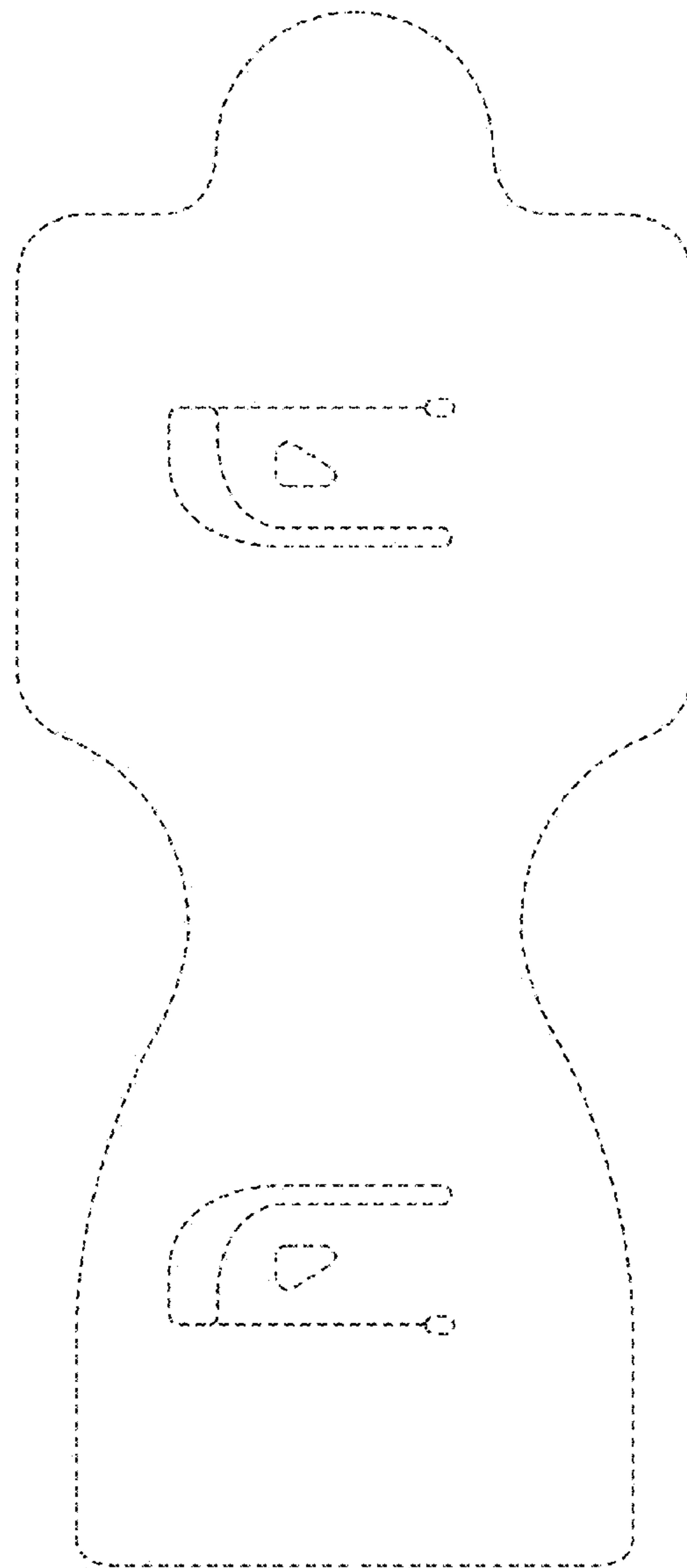


FIG. 3



FIG. 4



FIG. 5

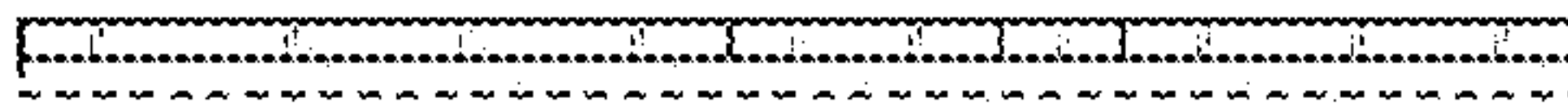


FIG. 6

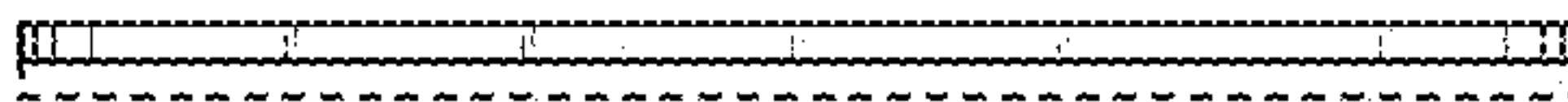


FIG. 7

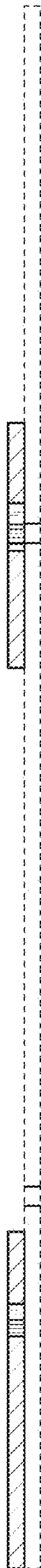


FIG. 8

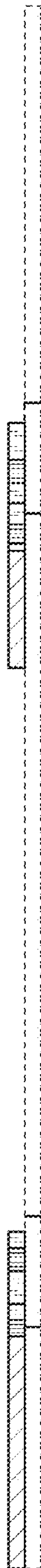


FIG. 9

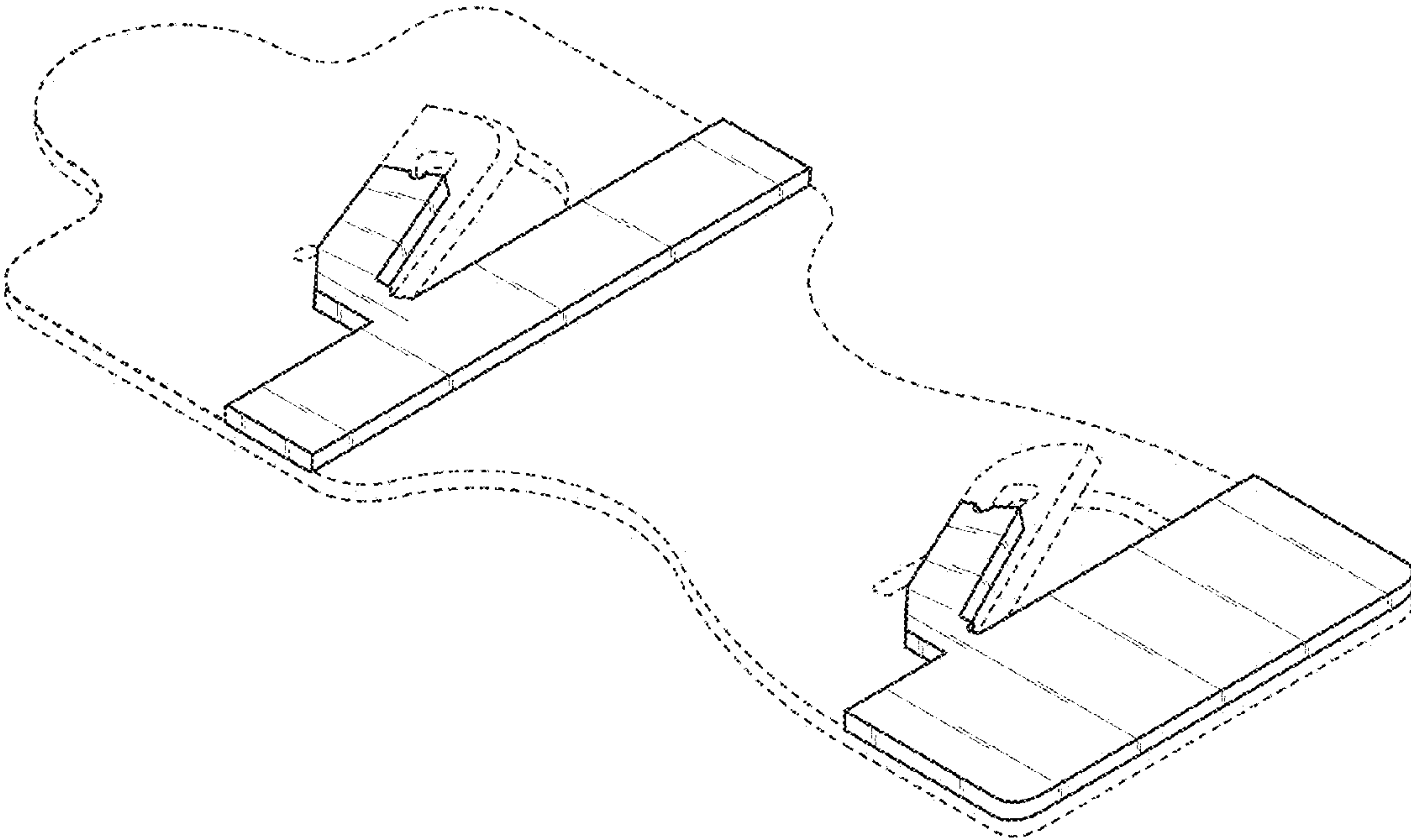


FIG. 10

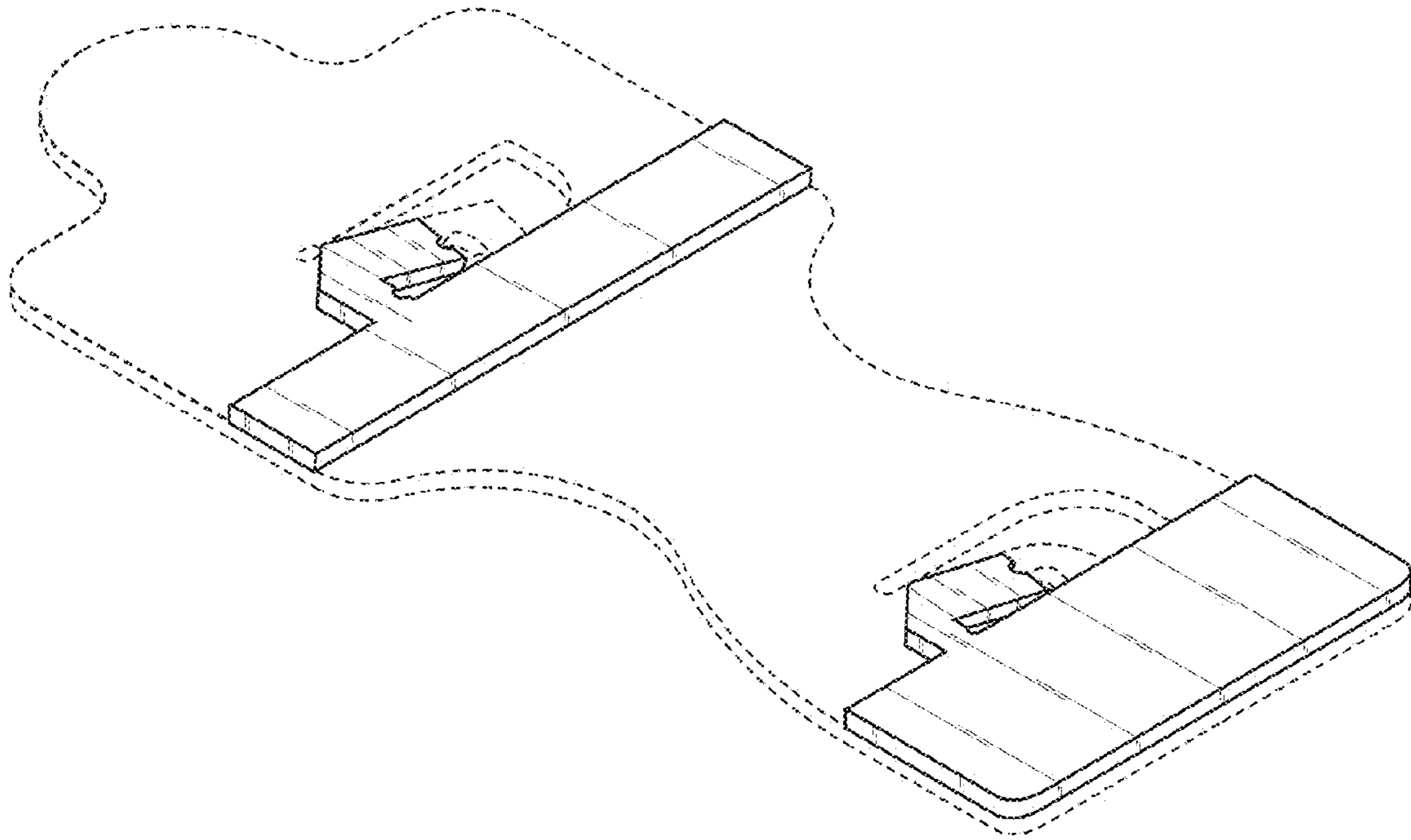


FIG. 11