



US00D745173S

(12) **United States Design Patent**
Marzynski

(10) **Patent No.:** **US D745,173 S**
(45) **Date of Patent:** **** Dec. 8, 2015**

- (54) **BIOMEDICAL MULTIFUNCTION TESTER**
- (71) Applicant: **Fluke Corporation**, Everett, WA (US)
- (72) Inventor: **Matthew Marzynski**, Seattle, WA (US)
- (73) Assignee: **Fluke Corporation**, Everett, WA (US)
- (**) Term: **14 Years**
- (21) Appl. No.: **29/472,442**
- (22) Filed: **Nov. 12, 2013**

D447,569 S	9/2001	Baily	
D535,031 S *	1/2007	Barrett et al.	D24/186
D554,266 S	10/2007	Striepe	
D573,496 S *	7/2008	Wakamatsu et al.	D10/81
D584,812 S *	1/2009	Ries	D24/111
D584,975 S	1/2009	Haberstroh	
D597,216 S *	7/2009	McGuigan et al.	D24/216
D598,098 S *	8/2009	Tanaka	D24/138
D598,100 S *	8/2009	Tanaka	D24/144
D608,452 S	1/2010	Huang	
D652,522 S	1/2012	Koester	
D664,257 S *	7/2012	Patil	D24/186
D678,531 S	3/2013	Patil	

* cited by examiner

Related U.S. Application Data

- (62) Division of application No. 29/409,501, filed on Dec. 23, 2011, now Pat. No. Des. 698,925.
- (51) **LOC (10) Cl.** **07-02**
- (52) **U.S. Cl.**
USPC **D24/186**
- (58) **Field of Classification Search**
USPC D24/107, 111, 144, 164, 170, 186, 216,
D24/231-232, 138; D10/50, 75, 76, 78, 81;
600/132, 300-301, 481, 178, 180, 182;
128/897-898; 324/158 F, 115, 151,
324/156, 110-114
See application file for complete search history.

Primary Examiner — T. Chase Nelson

Assistant Examiner — Mark Cavanna

(74) *Attorney, Agent, or Firm* — Seed IP Law Group PLLC

(57) **CLAIM**

The ornamental design for a biomedical multifunction tester, as shown and described.

DESCRIPTION

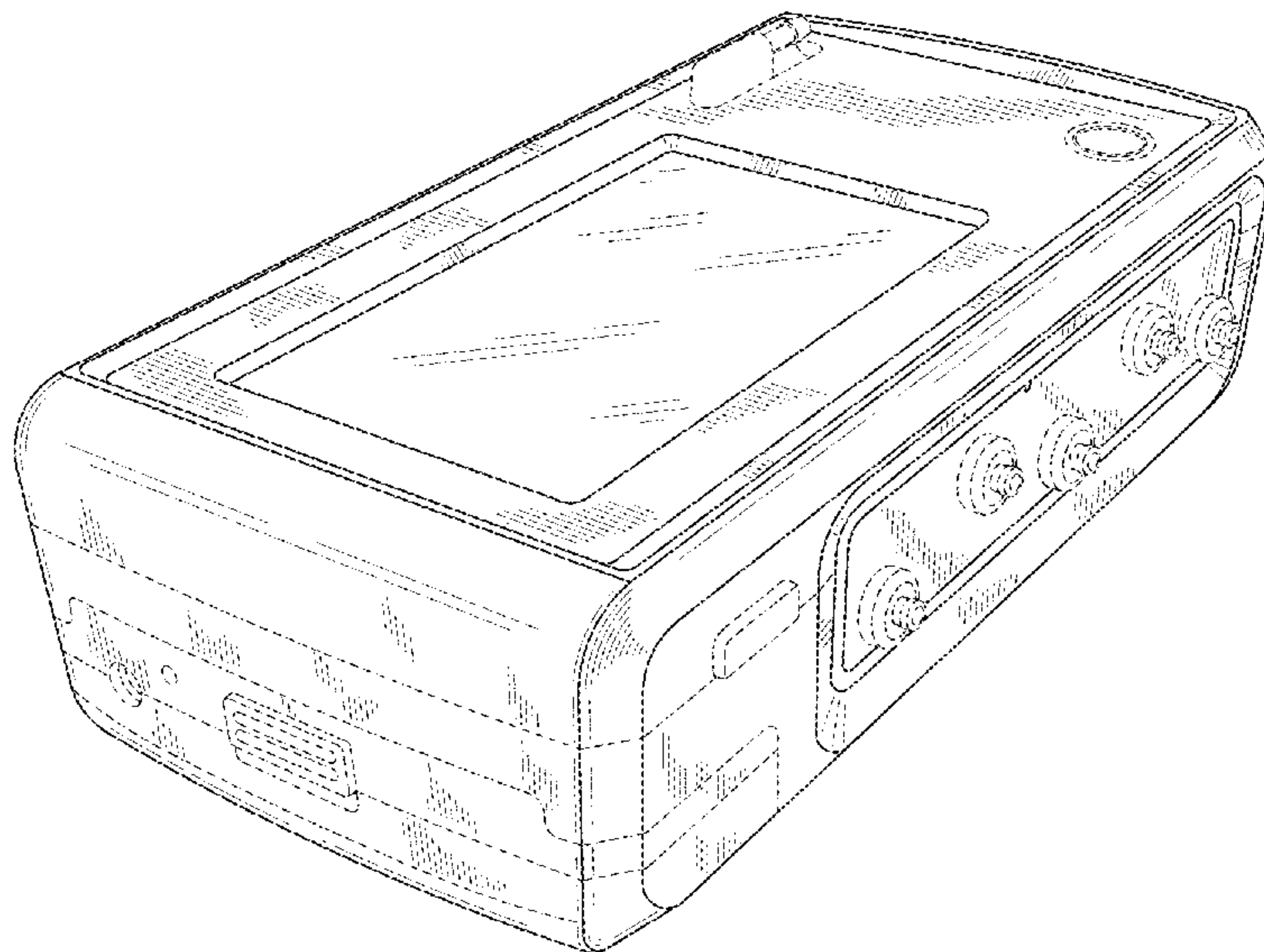
FIG. 1 is a front elevation view of a biomedical multifunction tester showing my new design;
 FIG. 2 is a top plan view thereof;
 FIG. 3 is a bottom plan view thereof;
 FIG. 4 is a rear elevation view thereof;
 FIG. 5 is a left side elevation view thereof;
 FIG. 6 is a right side elevation view thereof;
 FIG. 7 is an upper front left perspective view thereof;
 FIG. 8 is an upper front right perspective view thereof;
 FIG. 9 is a lower front left perspective view thereof; and,
 FIG. 10 is a lower front right perspective view thereof.
 The broken lines shown in the figures illustrate environmental subject matter and form no part of the claimed design.

(56) **References Cited**

U.S. PATENT DOCUMENTS

D258,727 S *	3/1981	Swinstead	D10/78
D311,700 S *	10/1990	Nelson	D10/78
D332,833 S	1/1993	Lauks	
D369,563 S *	5/1996	Meehan	D10/76
D390,666 S *	2/1998	Lagerlof	D24/186
D392,043 S	3/1998	Cooper	
D400,255 S	10/1998	Myers	

1 Claim, 8 Drawing Sheets



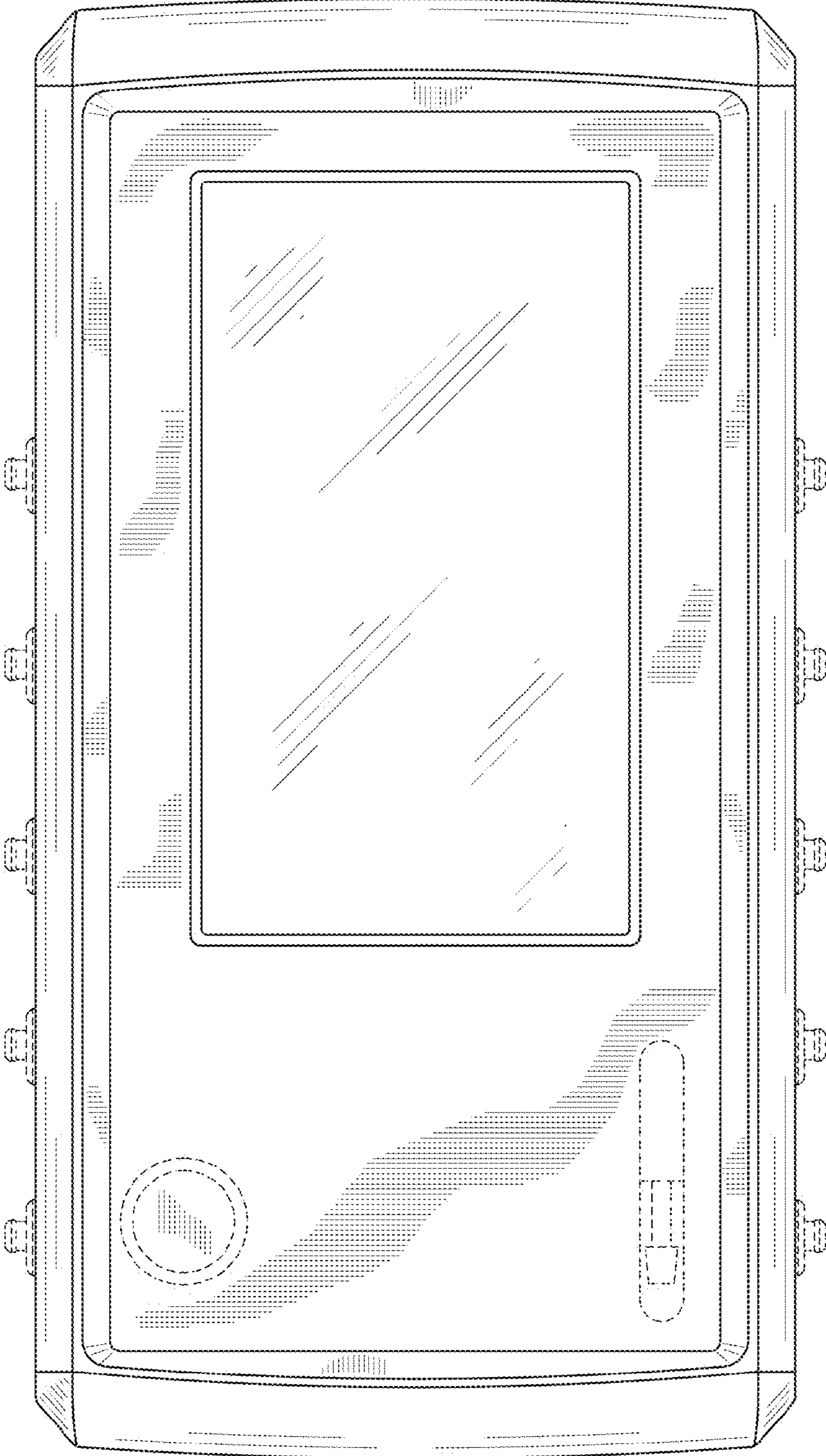


FIG. 1

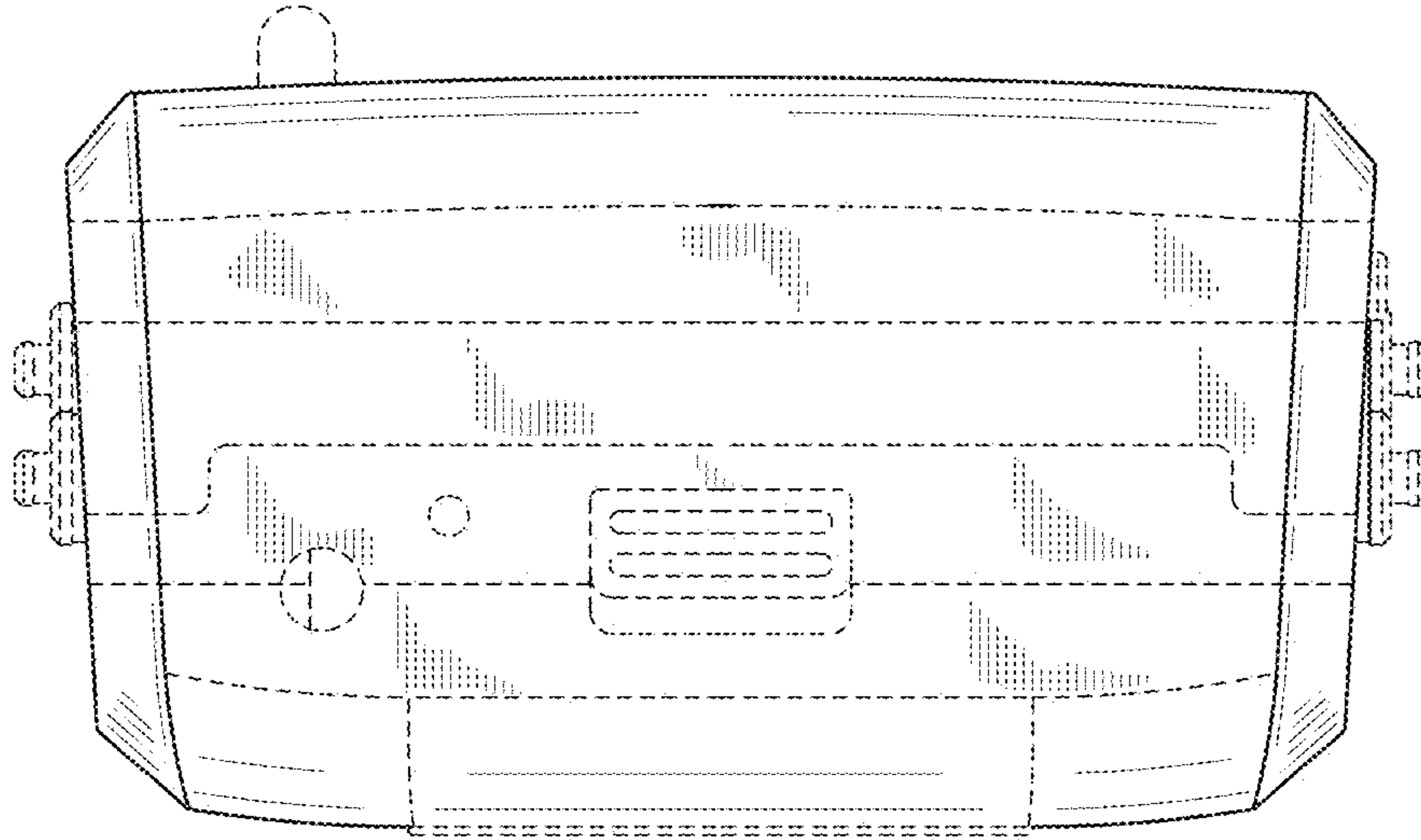


FIG. 2

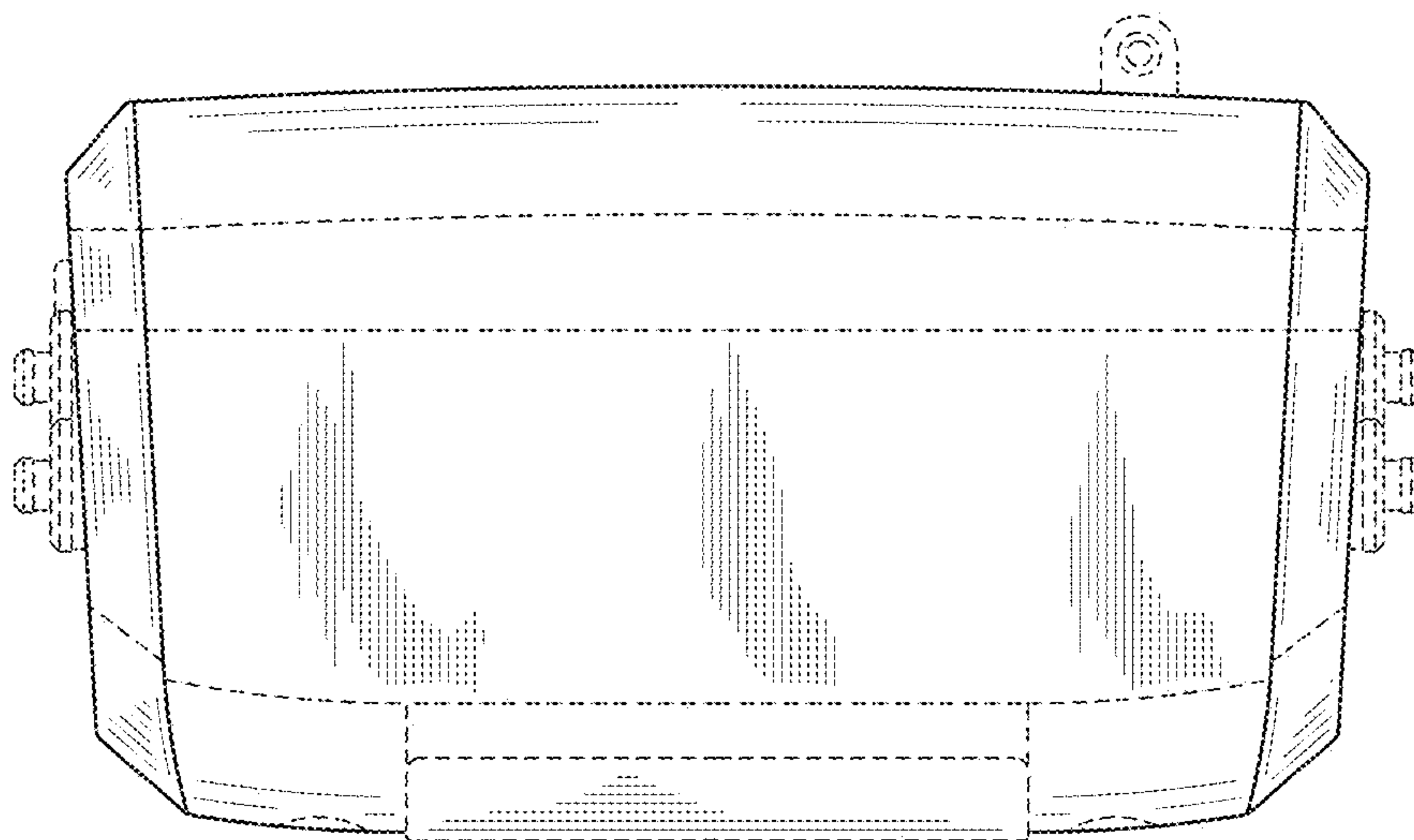


FIG. 3

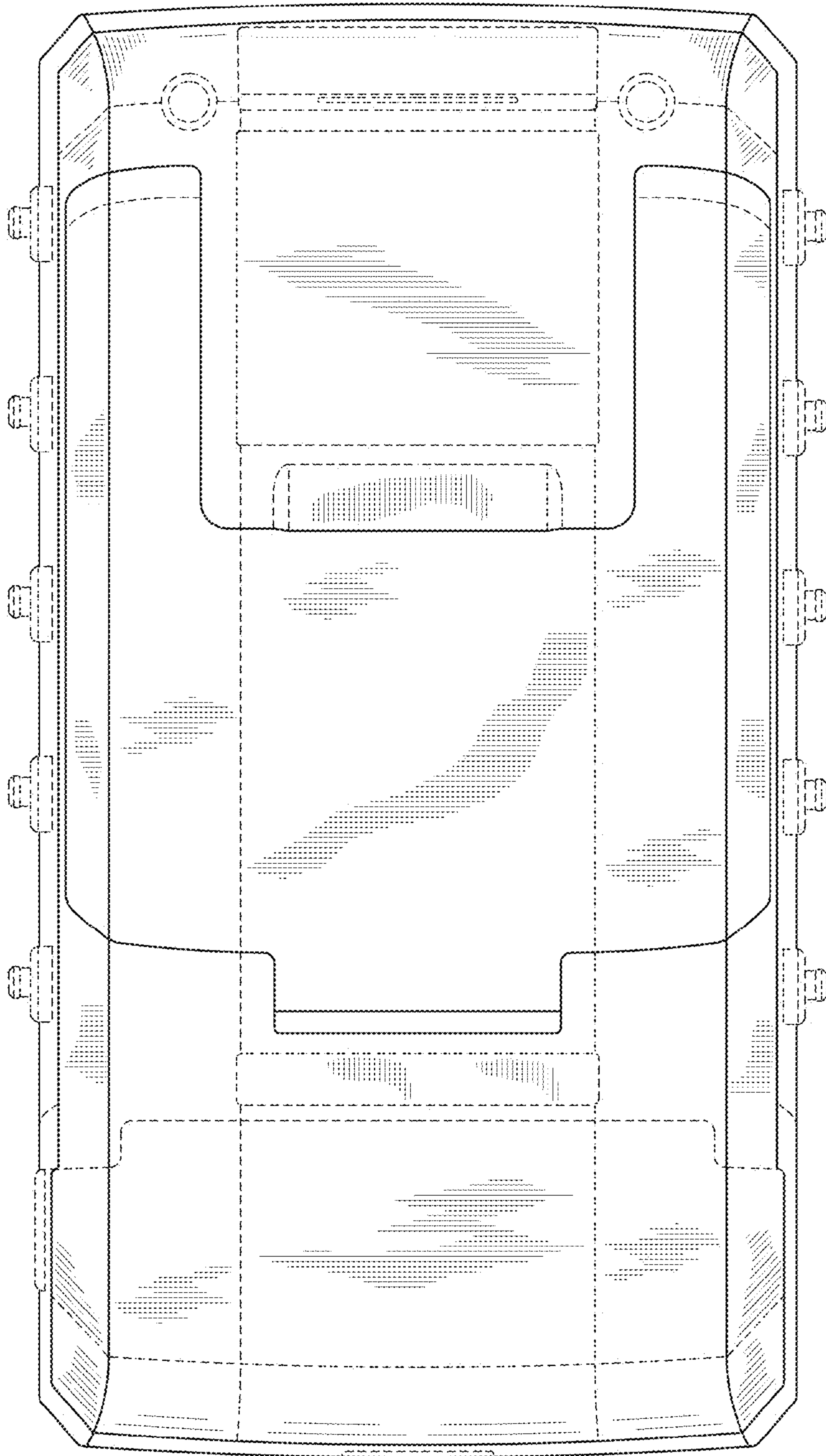


FIG. 4

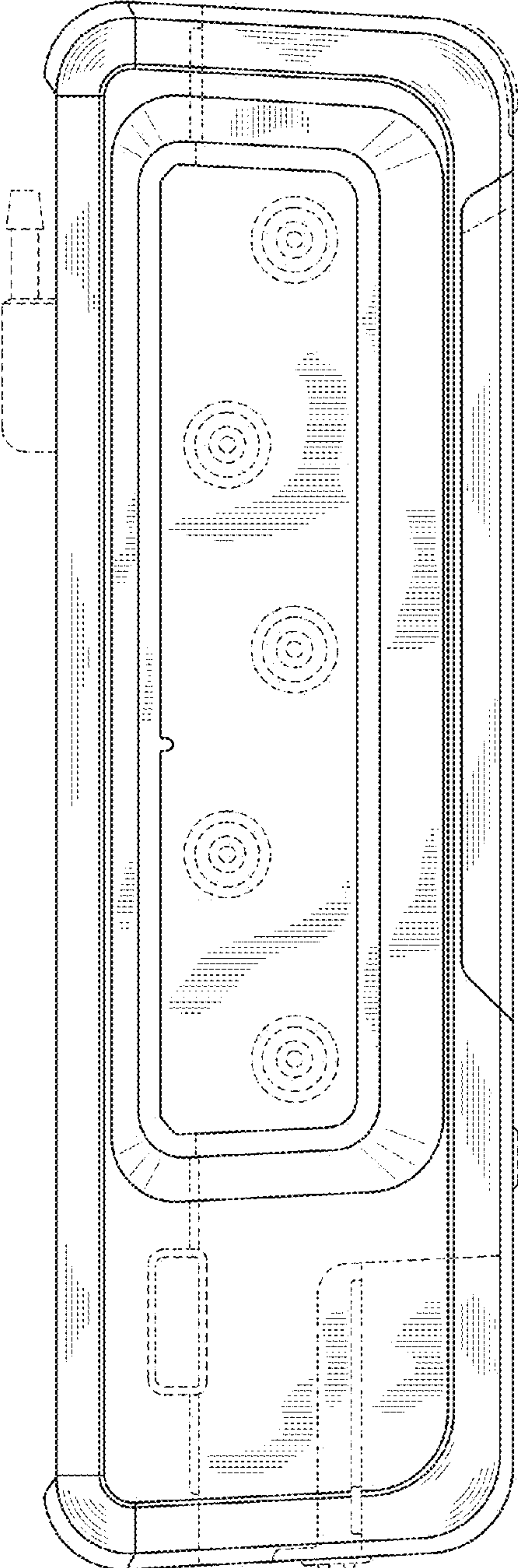


FIG. 5

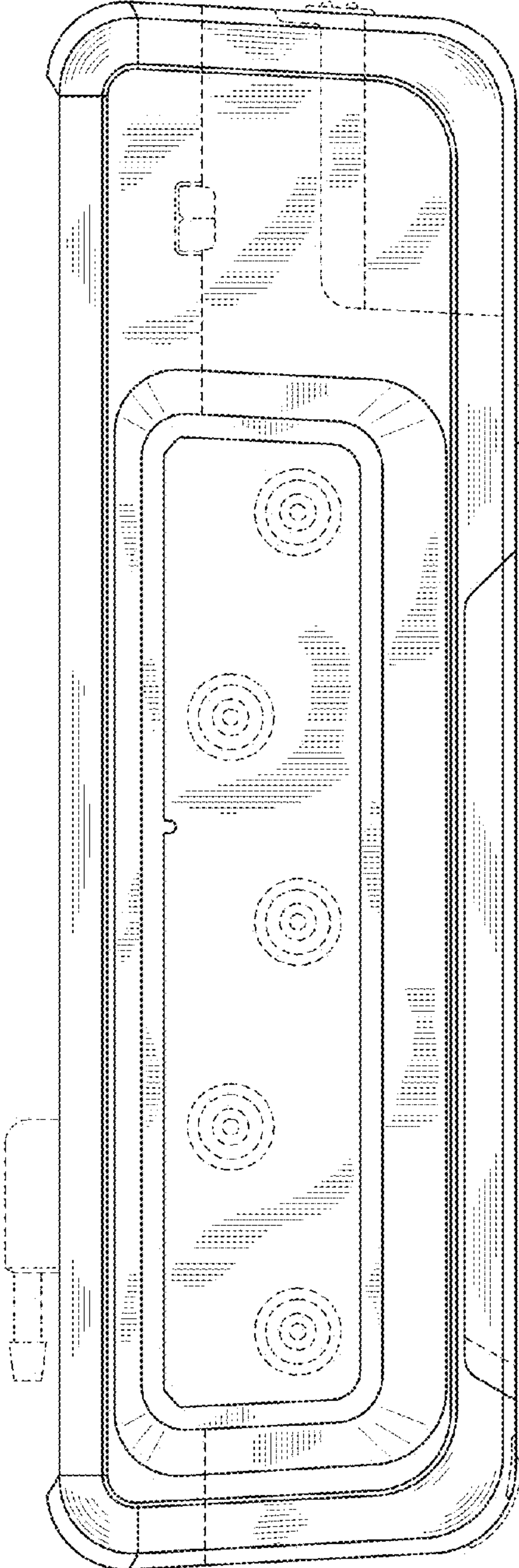


FIG. 6

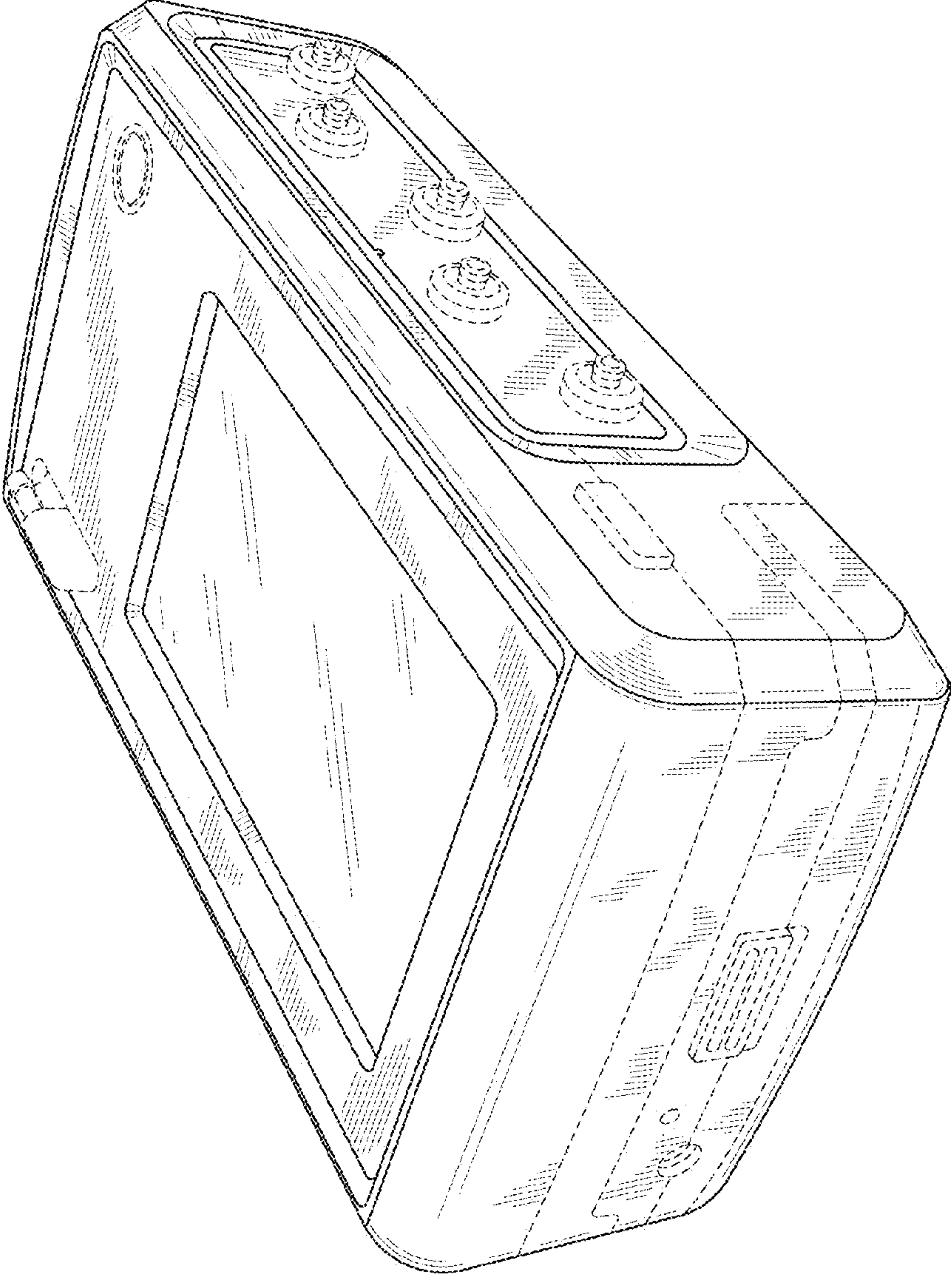


FIG. 7

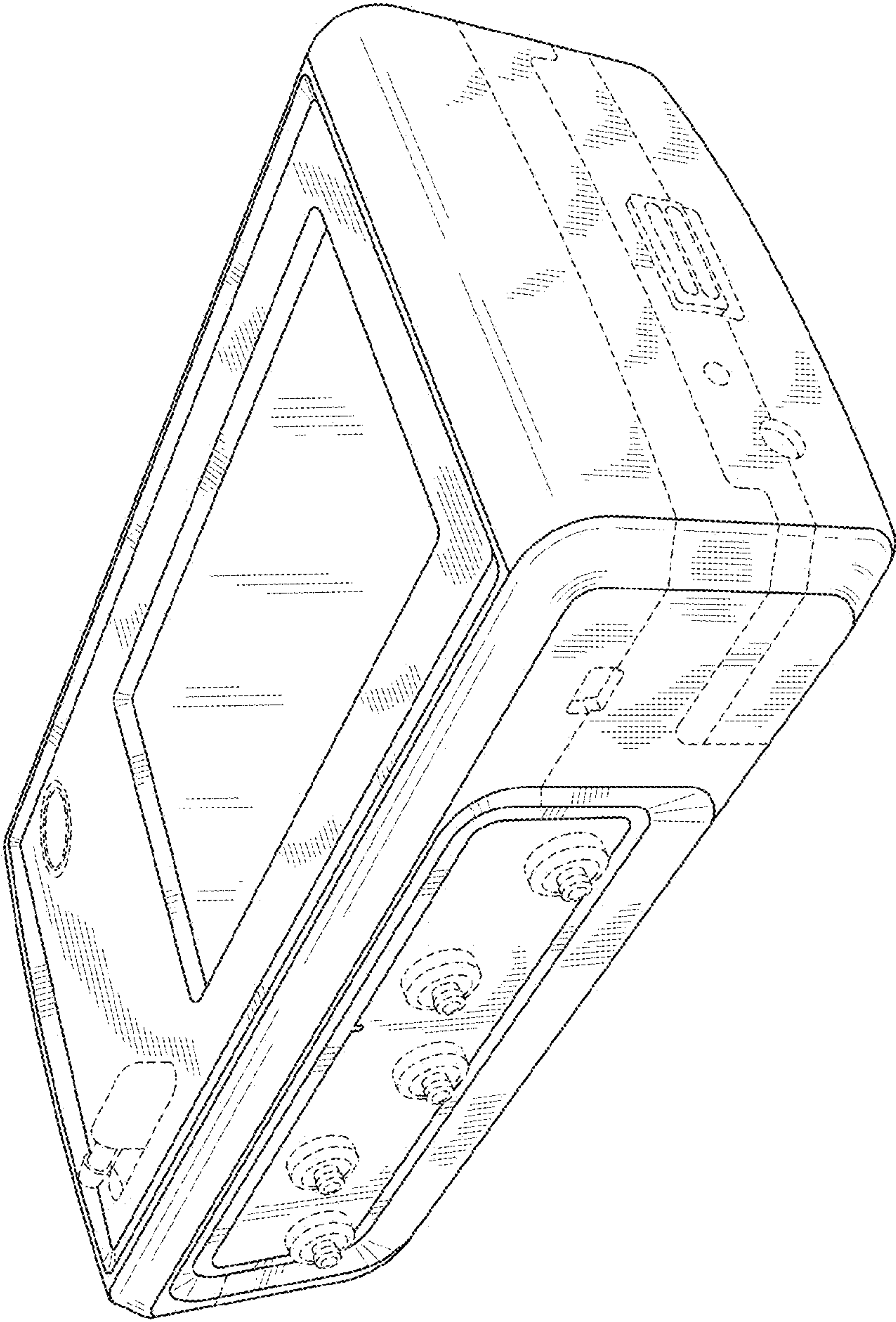


FIG. 8

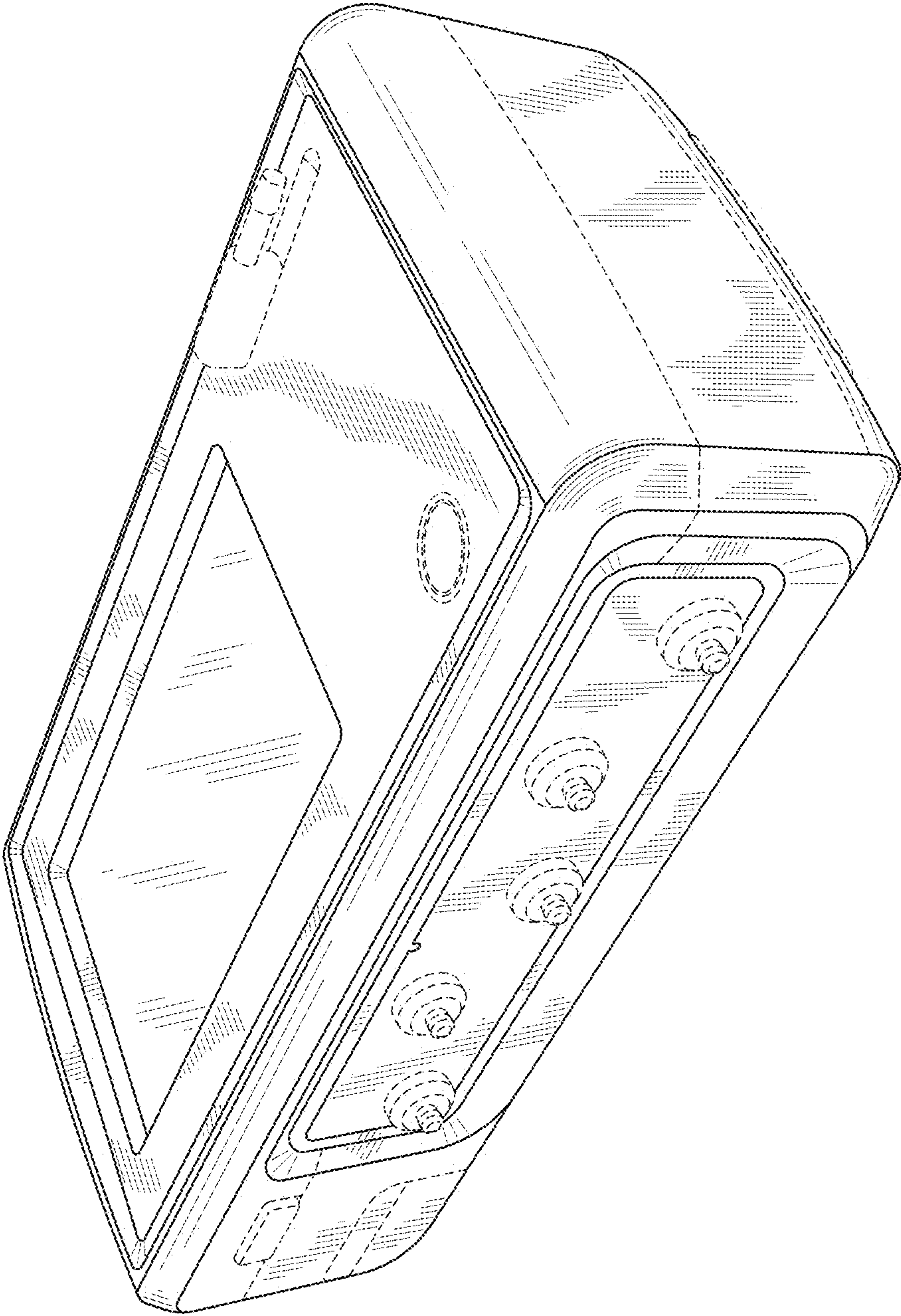


FIG. 9

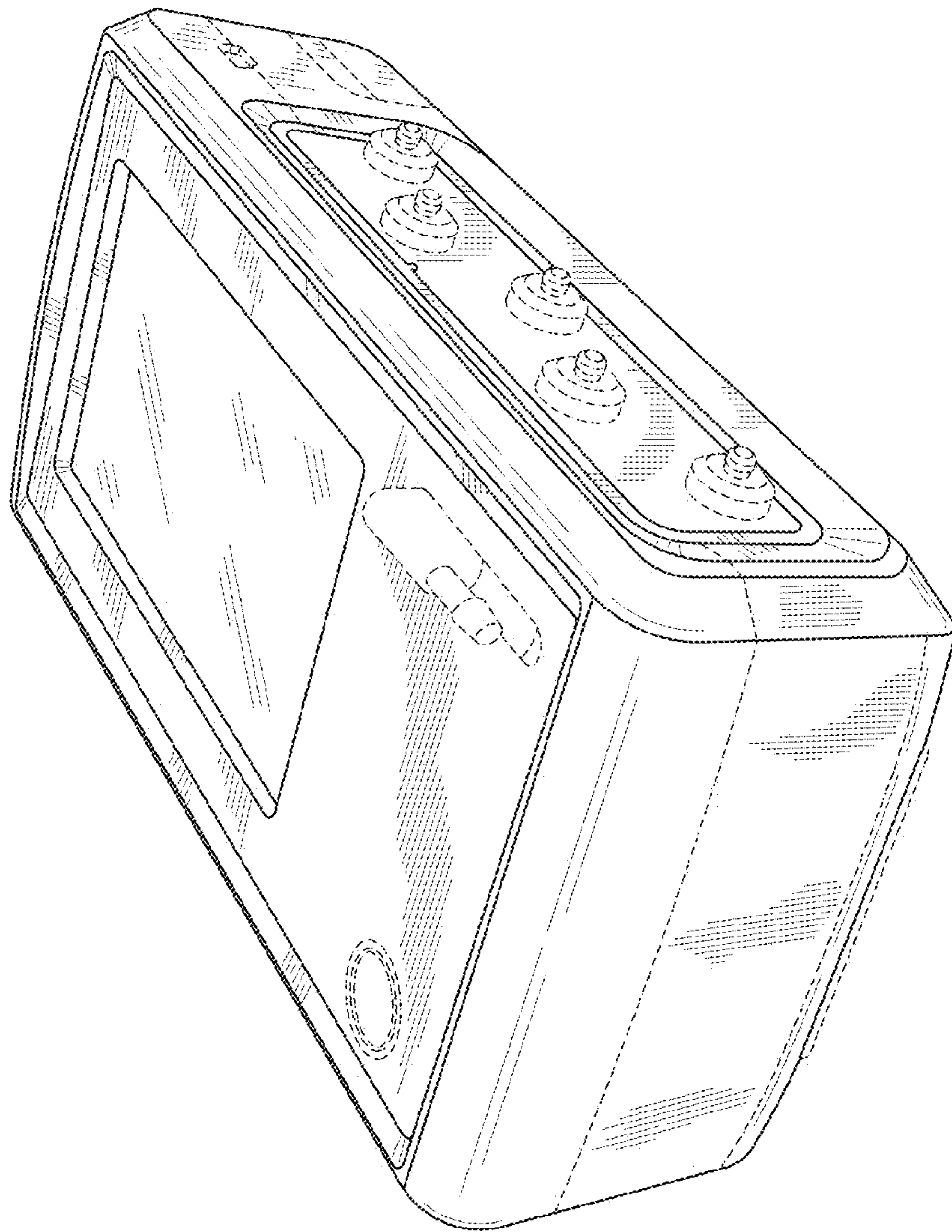


FIG. 10