



US00D745172S

(12) **United States Design Patent**
Marzynski

(10) **Patent No.:** **US D745,172 S**
(45) **Date of Patent:** **** Dec. 8, 2015**

- (54) **BIOMEDICAL MULTIFUNCTION TESTER**
- (71) Applicant: **Fluke Corporation**, Everett, WA (US)
- (72) Inventor: **Matthew Marzynski**, Seattle, WA (US)
- (73) Assignee: **Fluke Corporation**, Everett, WA (US)
- (**) Term: **14 Years**
- (21) Appl. No.: **29/472,330**
- (22) Filed: **Nov. 11, 2013**

- D390,666 S * 2/1998 Lagerlof D24/186
- D396,108 S 7/1998 Garito
- D412,991 S 8/1999 DiVito
- D447,569 S * 9/2001 Baily et al. D24/186
- D494,077 S 8/2004 Melenotte
- D535,031 S * 1/2007 Barrett et al. D24/186
- D548,841 S 8/2007 Brownell
- D571,472 S 6/2008 Forlenza
- D573,496 S 7/2008 Wakamatsu
- D582,044 S 12/2008 Hacker
- D584,812 S 1/2009 Ries
- D597,216 S 7/2009 McGuigan
- D598,098 S 8/2009 Tanaka
- D598,100 S 8/2009 Tanaka
- D600,814 S 9/2009 Lathrop
- D626,224 S 10/2010 Amano
- D638,545 S 5/2011 Okawa
- D640,378 S 6/2011 Okawa
- D647,412 S 10/2011 Rha
- D678,531 S 3/2013 Patil

Related U.S. Application Data

(62) Division of application No. 29/406,934, filed on Nov. 21, 2011, now Pat. No. Des. 698,447.

- (51) **LOC (10) Cl.** **07-02**
- (52) **U.S. Cl.**
USPC **D24/186**
- (58) **Field of Classification Search**
USPC D24/107, 111, 144, 164, 170, 186, 216,
D24/231-232; D10/50, 75, 76, 78, 81;
600/132, 300-301, 481, 178, 180, 182;
128/897-898; 324/158 F, 115, 151,
324/156, 110-114

See application file for complete search history.

* cited by examiner

Primary Examiner — T. Chase Nelson

Assistant Examiner — Mark Cavanna

(74) *Attorney, Agent, or Firm* — Seed IP Law Group PLLC

(57) **CLAIM**

The ornamental design for a biomedical multifunction tester, as shown and described.

DESCRIPTION

FIG. 1 is a front elevation view of a biomedical multifunction tester showing my new design;

FIG. 2 is a lower front right perspective view thereof;

FIG. 3 is a lower rear perspective view thereof; and,

FIG. 4 is a lower rear right perspective view thereof.

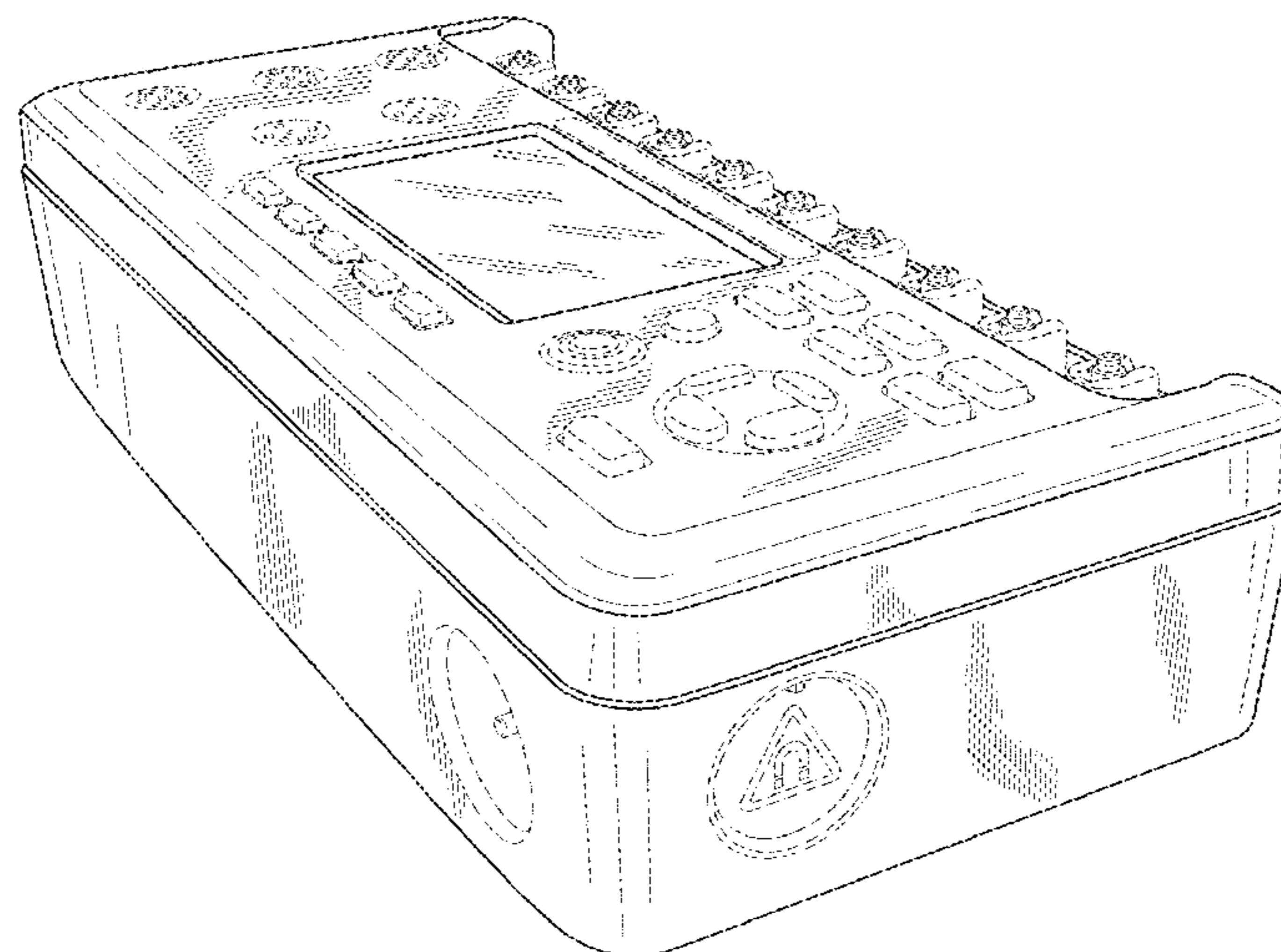
The broken lines shown in the figures illustrate environmental subject matter and form no part of the claimed design.

1 Claim, 4 Drawing Sheets

(56) **References Cited**

U.S. PATENT DOCUMENTS

- D258,727 S 3/1981 Swinstead
- D274,043 S 5/1984 Paine
- D289,504 S 4/1987 McCain
- D311,700 S 10/1990 Nelson
- D332,833 S * 1/1993 Lauks et al. D24/186
- D343,799 S 2/1994 Spinks
- D369,563 S * 5/1996 Meehan D10/76



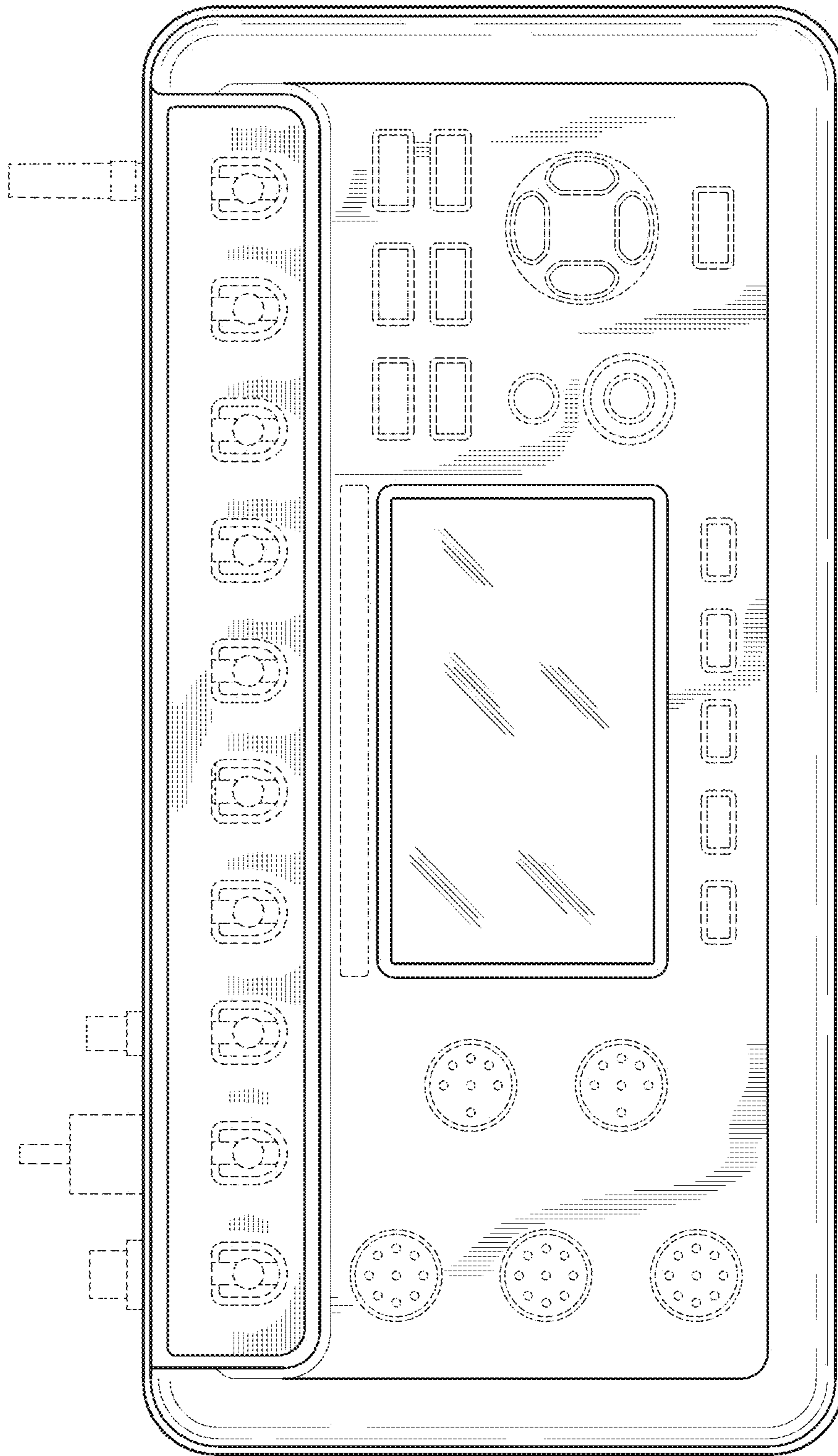


FIG. 1

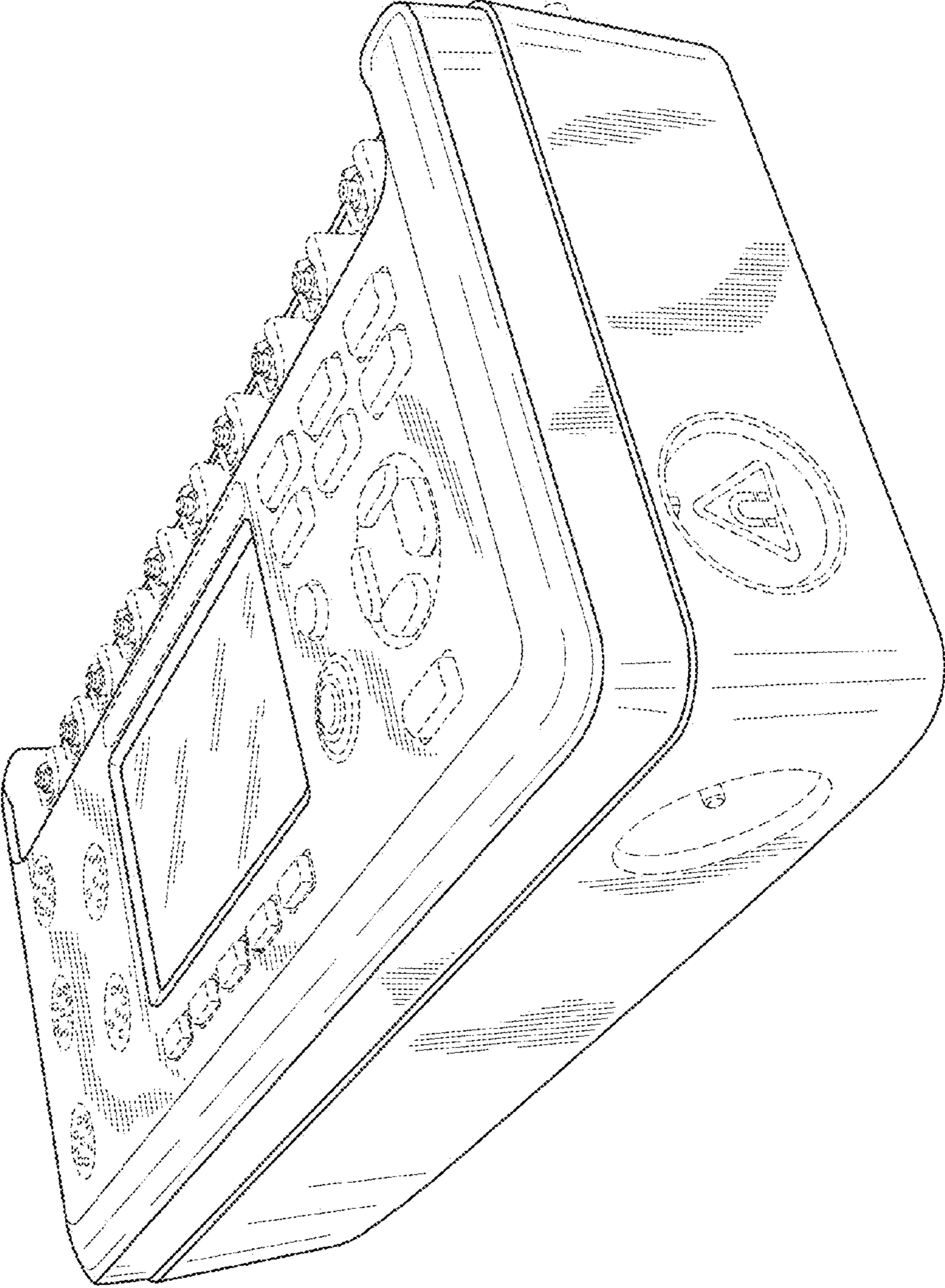


FIG. 2

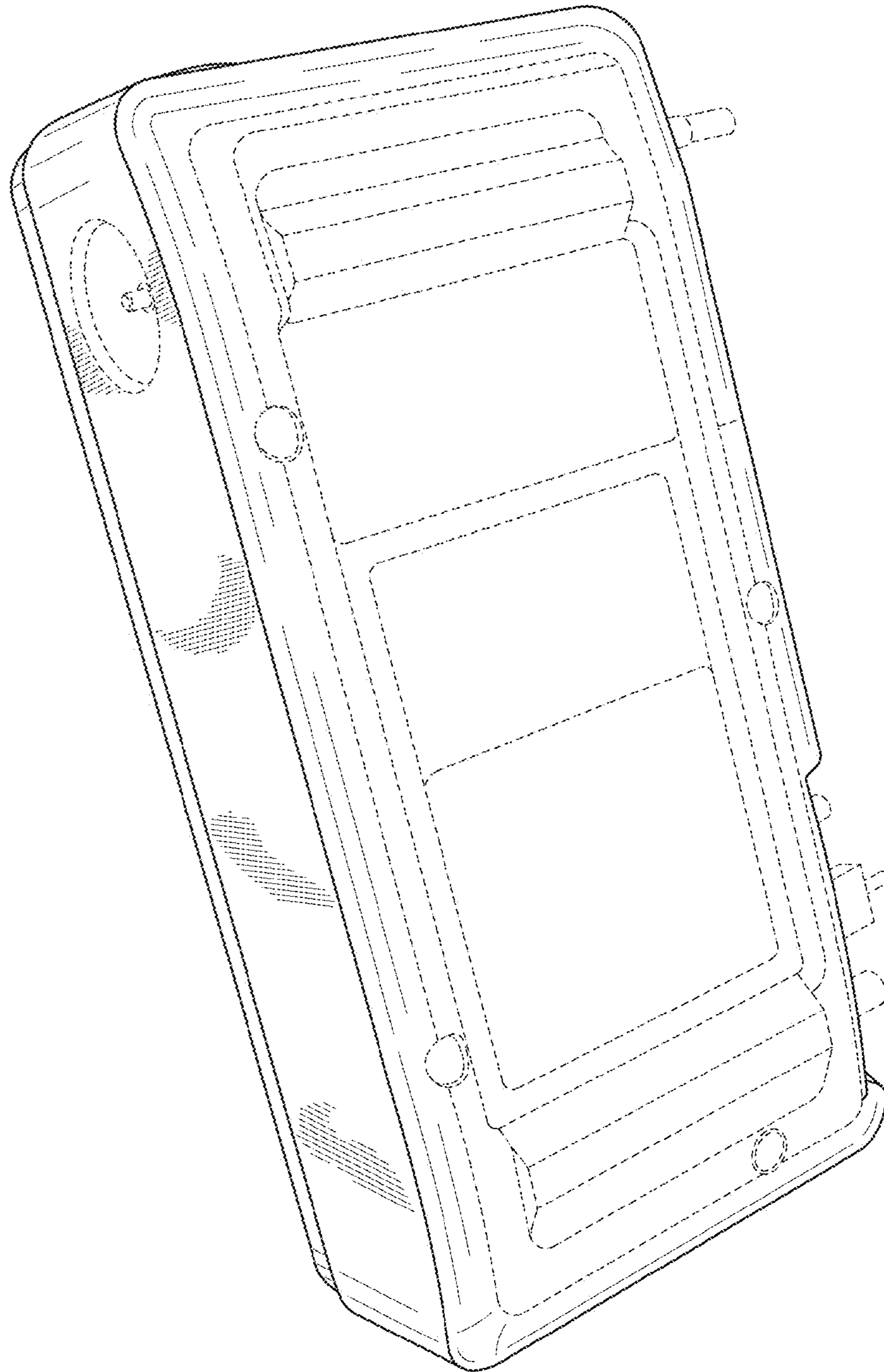


FIG. 3

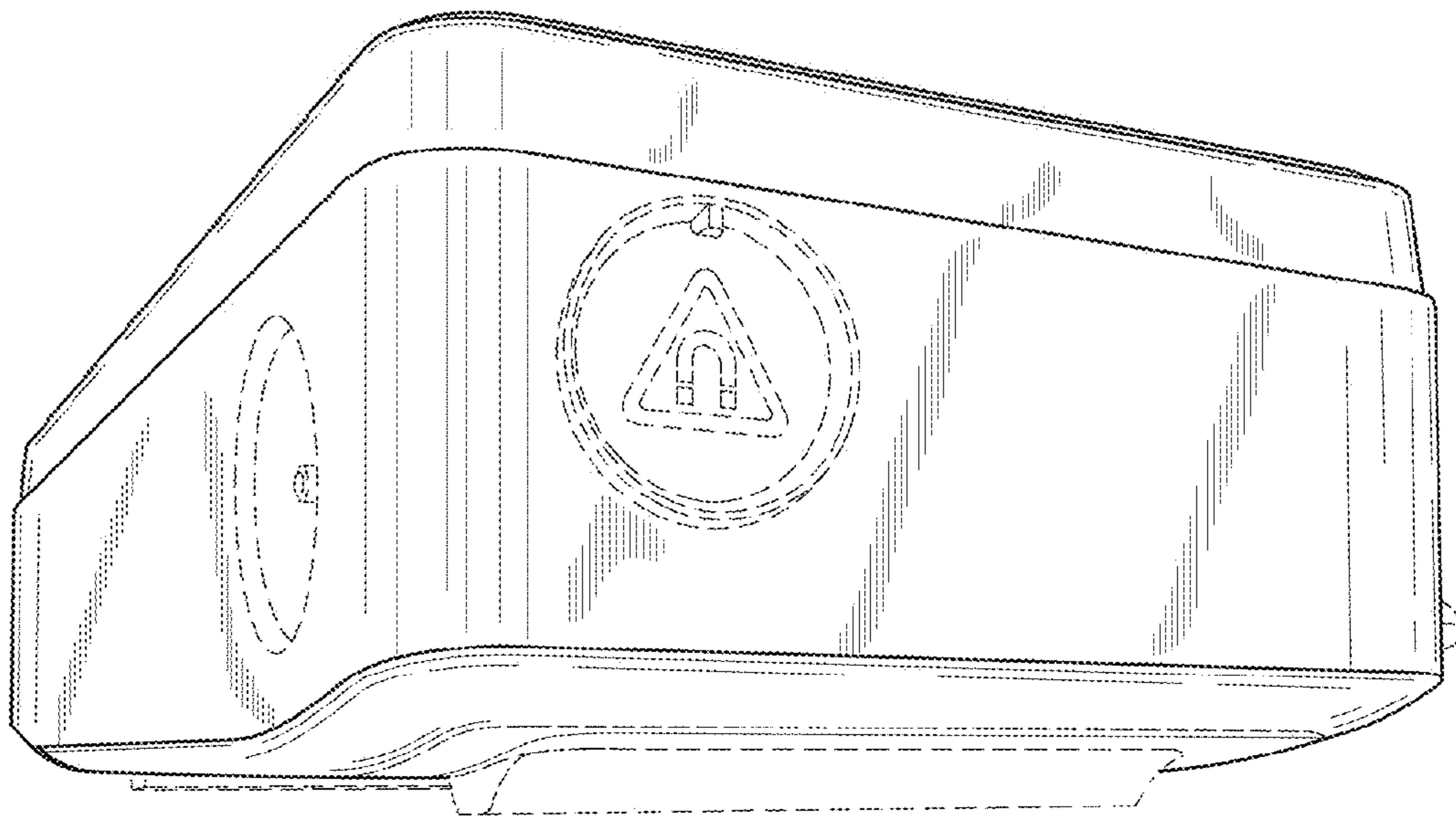


FIG. 4