



US00D745171S

(12) **United States Design Patent**
Gomez

(10) **Patent No.:** **US D745,171 S**
(45) **Date of Patent:** **** Dec. 8, 2015**

(54) **ARM TUCKING DEVICE**

(71) Applicant: **David Julian Gomez**, Raleigh, NC (US)

(72) Inventor: **David Julian Gomez**, Raleigh, NC (US)

(**) Term: **14 Years**

(21) Appl. No.: **29/466,202**

(22) Filed: **Sep. 5, 2013**

(51) **LOC (10) Cl.** **24-01**

(52) **U.S. Cl.**
USPC **D24/184**

(58) **Field of Classification Search**
USPC D24/183–184, 188, 190, 192, 165, 140,
D24/172, 128, 206–207; 248/118.1, 118.5;
5/632, 648, 636, 630; 601/34; 602/20,
602/16, 23, 33, 36, 38, 40; 128/845, 877;
D6/601, 597, 501, 418; 378/208;
D14/452, 460–461; D29/120.1
CPC .. A47B 21/0371; A47C 20/023; A61G 7/075;
A61G 13/12; A61H 1/0259; A61H 1/0218;
A61F 5/0118; A61F 5/0123; A61F 5/0111;
A61M 5/52
See application file for complete search history.

7,452,032 B1 * 11/2008 Roleder A47C 7/54
297/411.33
D608,446 S * 1/2010 Shibata D24/165
7,832,035 B2 * 11/2010 Walczyk A61G 13/12
5/646
D647,207 S * 10/2011 Buck D24/185
D655,418 S * 3/2012 Hancock D24/183
8,302,228 B2 * 11/2012 Aboujaoude A61F 5/3761
128/882
8,322,342 B2 * 12/2012 Soto A61G 13/12
128/845
D698,030 S * 1/2014 Crisco D24/190
D702,841 S * 4/2014 Wyrozub D24/184
D728,798 S * 5/2015 Moon D24/184
D728,800 S * 5/2015 Klein D24/184
D732,671 S * 6/2015 Moy D24/184
2004/0123389 A1 * 7/2004 Boucher A61G 13/12
5/623

* cited by examiner

Primary Examiner — T. Chase Nelson
Assistant Examiner — Mark Cavanna
(74) *Attorney, Agent, or Firm* — Phillips Lytle LLP; David L. Principe

(57) **CLAIM**
The ornamental design for an arm tucking device, as shown and described.

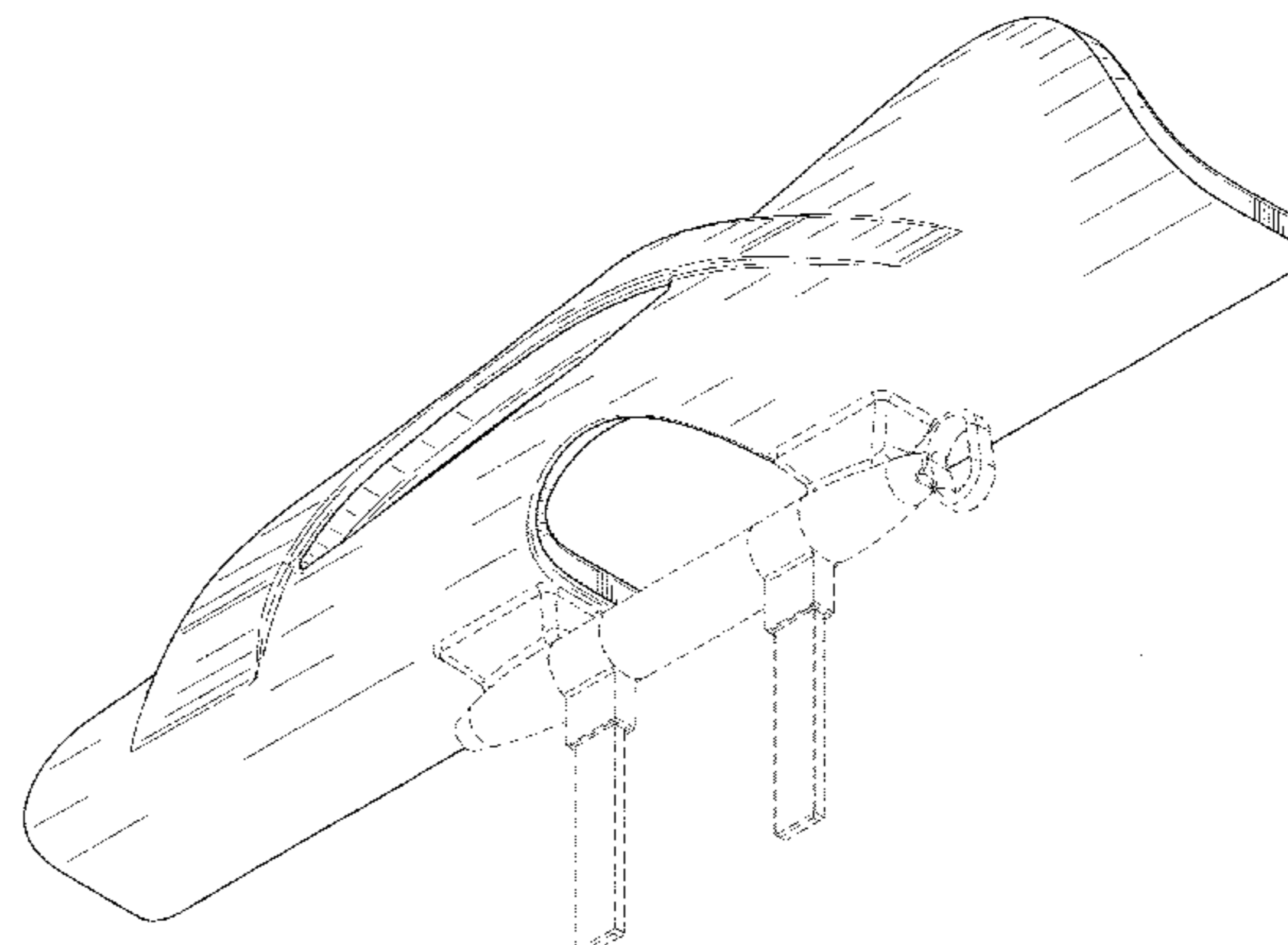
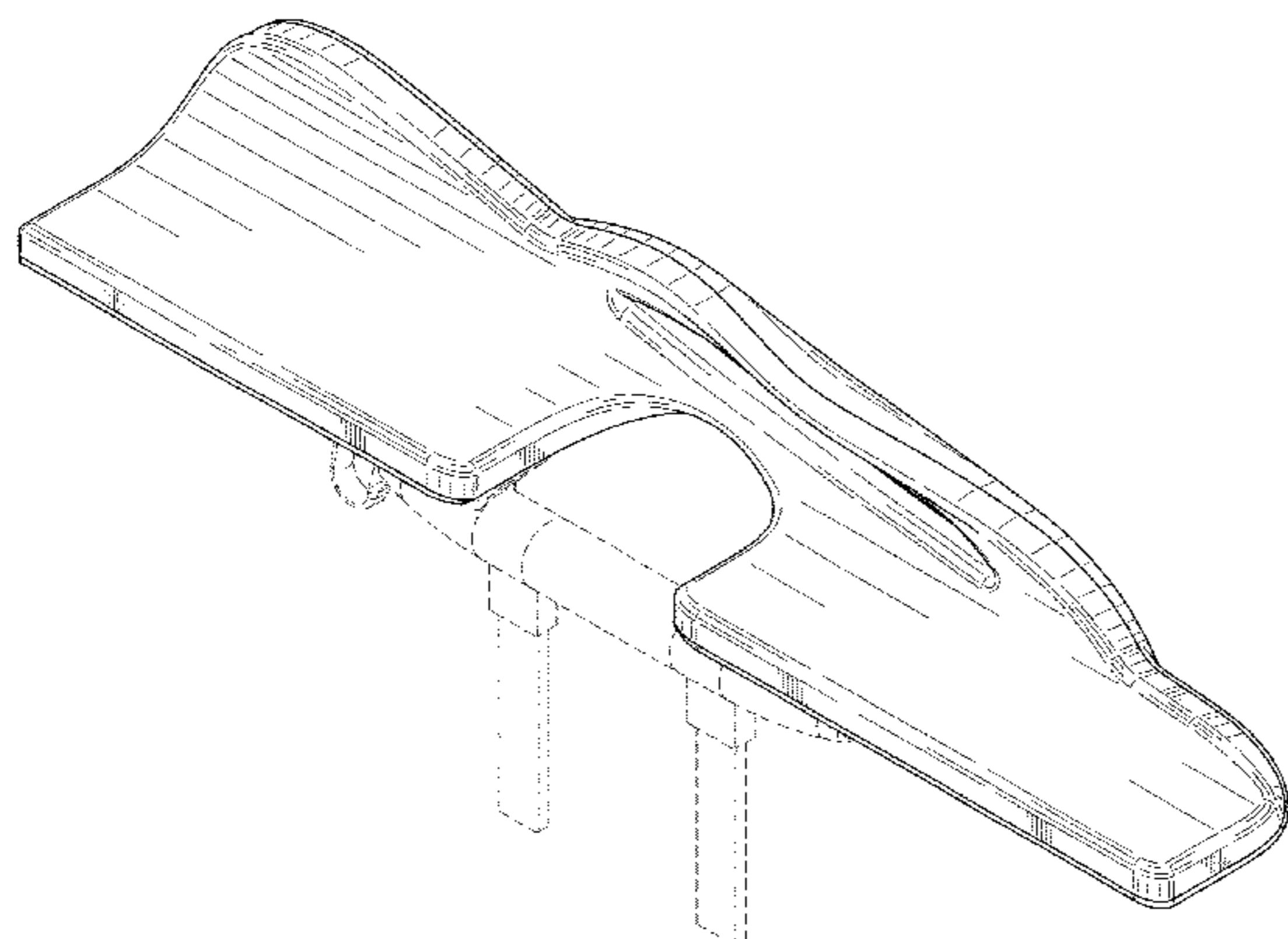
(56) **References Cited**
U.S. PATENT DOCUMENTS

D253,568 S * 12/1979 Brink D6/716.2
D318,589 S * 7/1991 Szadkowski D6/716.2
D331,921 S * 12/1992 Gutke D14/452
5,281,001 A * 1/1994 Bergsten A47B 21/0371
248/118
5,405,109 A * 4/1995 Nordnes A47B 21/0371
248/118.3
D377,125 S * 1/1997 Adamsson D6/716.2
6,101,650 A * 8/2000 Omdal A61G 13/1235
128/878
D438,725 S * 3/2001 Takahashi D6/716.2
6,454,224 B1 * 9/2002 Nogueira A47B 21/0371
248/118.5
D479,719 S * 9/2003 Kerscher D14/460
D518,894 S * 4/2006 Kirn D24/184

DESCRIPTION

FIG. 1 is a perspective view of the arm tucking device showing my new design;
FIG. 2 is another perspective view thereof;
FIG. 3 is a left side elevation view thereof;
FIG. 4 is a front elevation view thereof;
FIG. 5 is a right side elevation view thereof;
FIG. 6 is a rear elevation view thereof;
FIG. 7 is a top plan view thereof; and,
FIG. 8 is a bottom plan view thereof.
The broken line showing of environmental structure in the form of a mounting bracket in FIGS. 1-8 is for illustrative purposes only and forms no part of the claimed design.

1 Claim, 6 Drawing Sheets



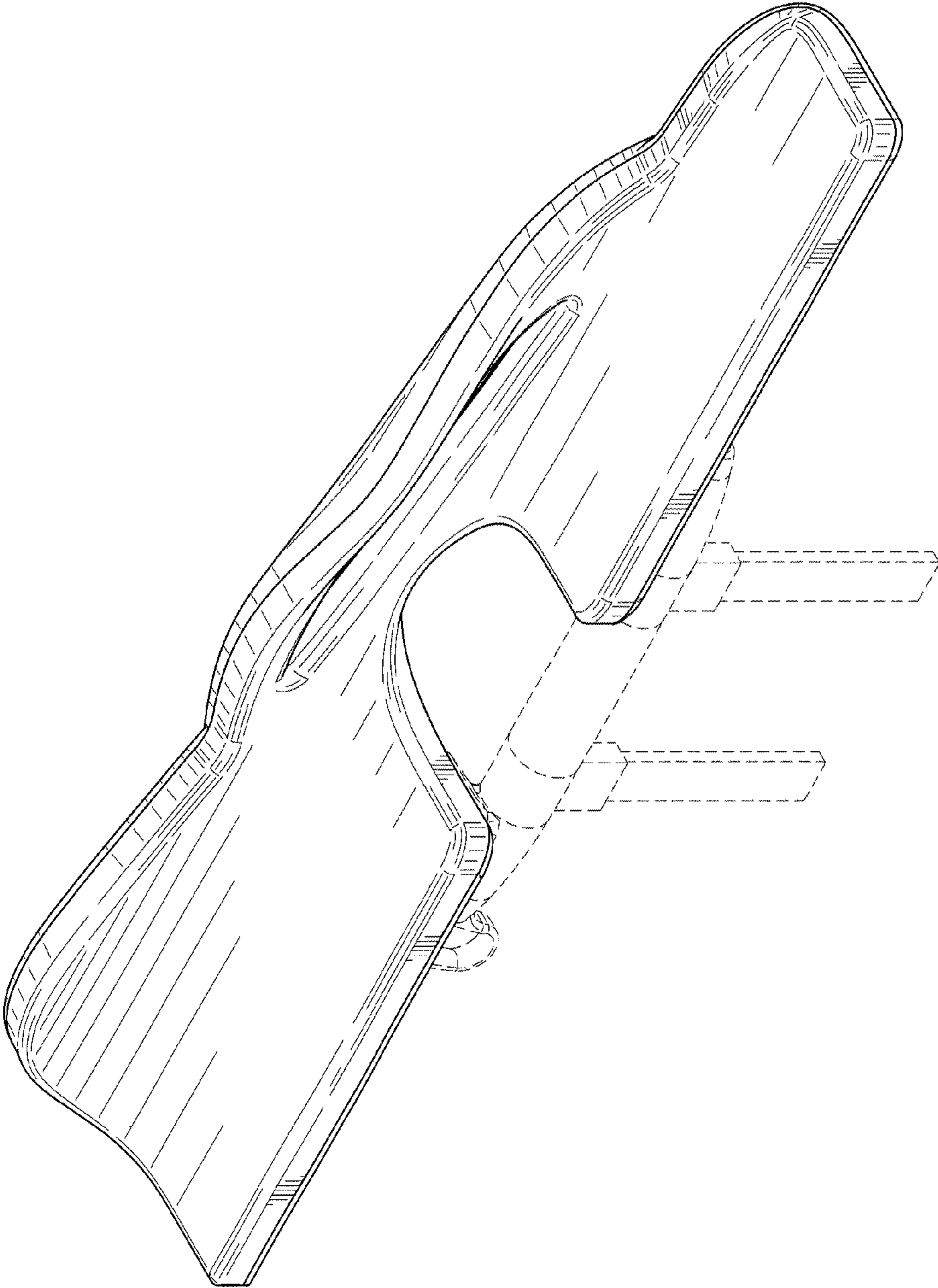


FIG. 1

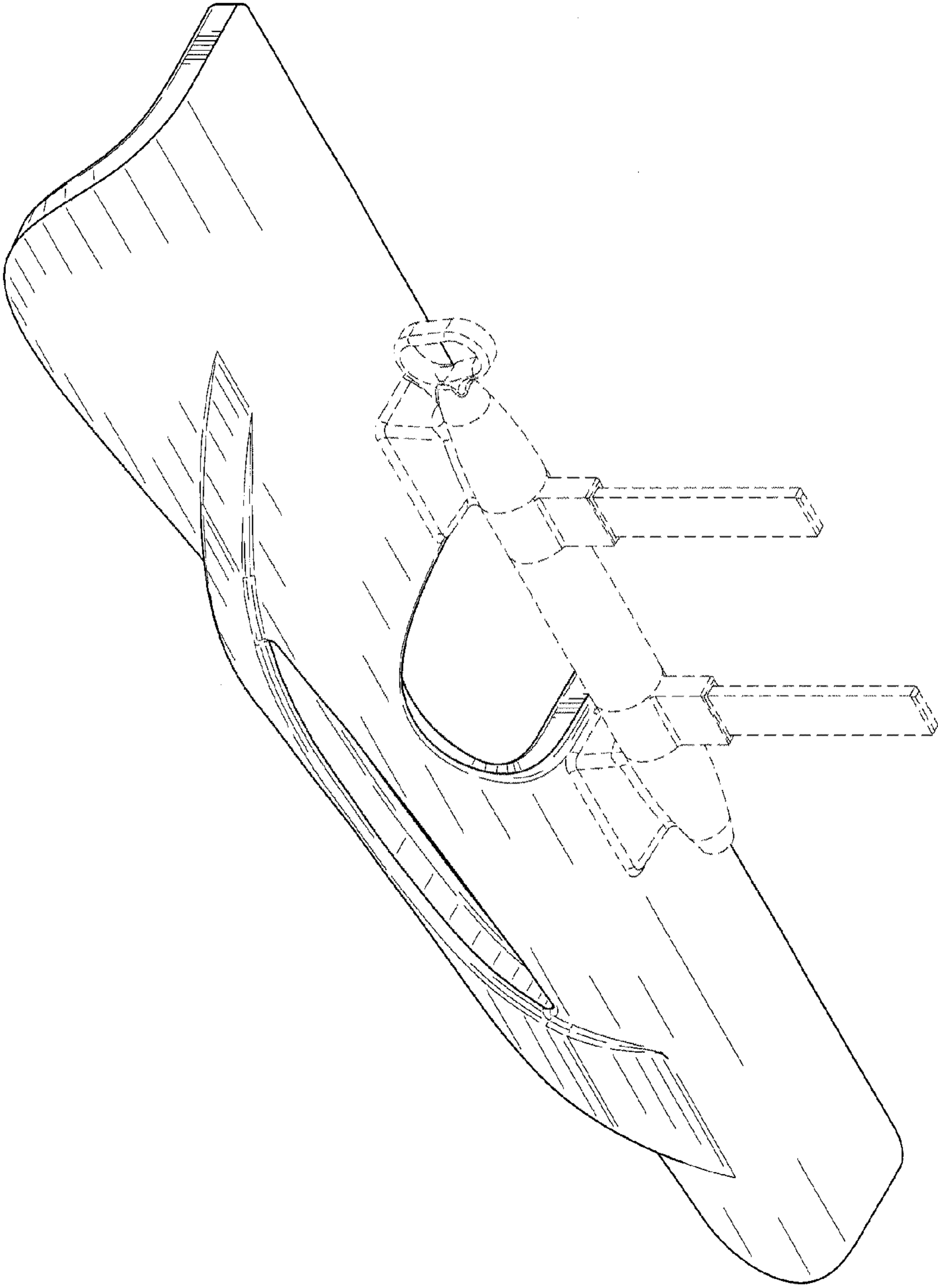


FIG. 2

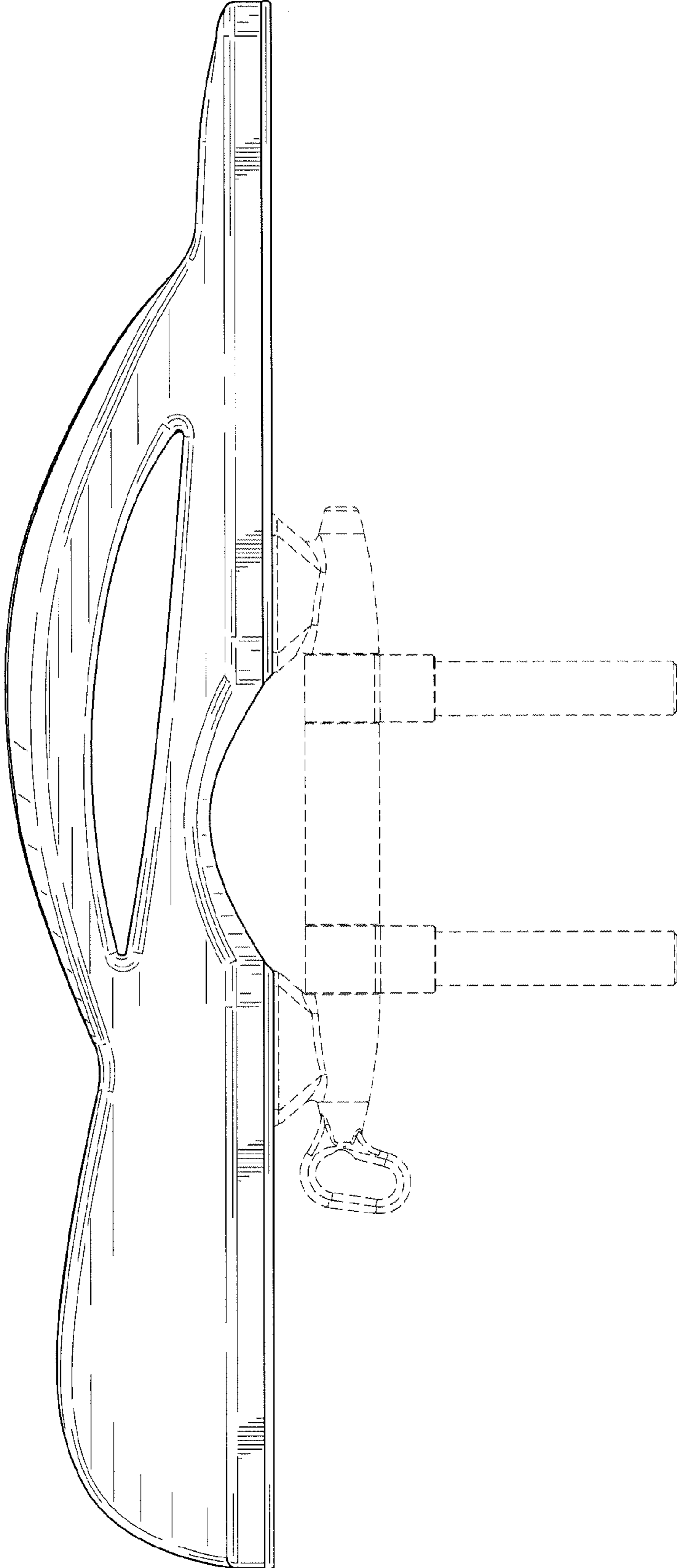


FIG. 3

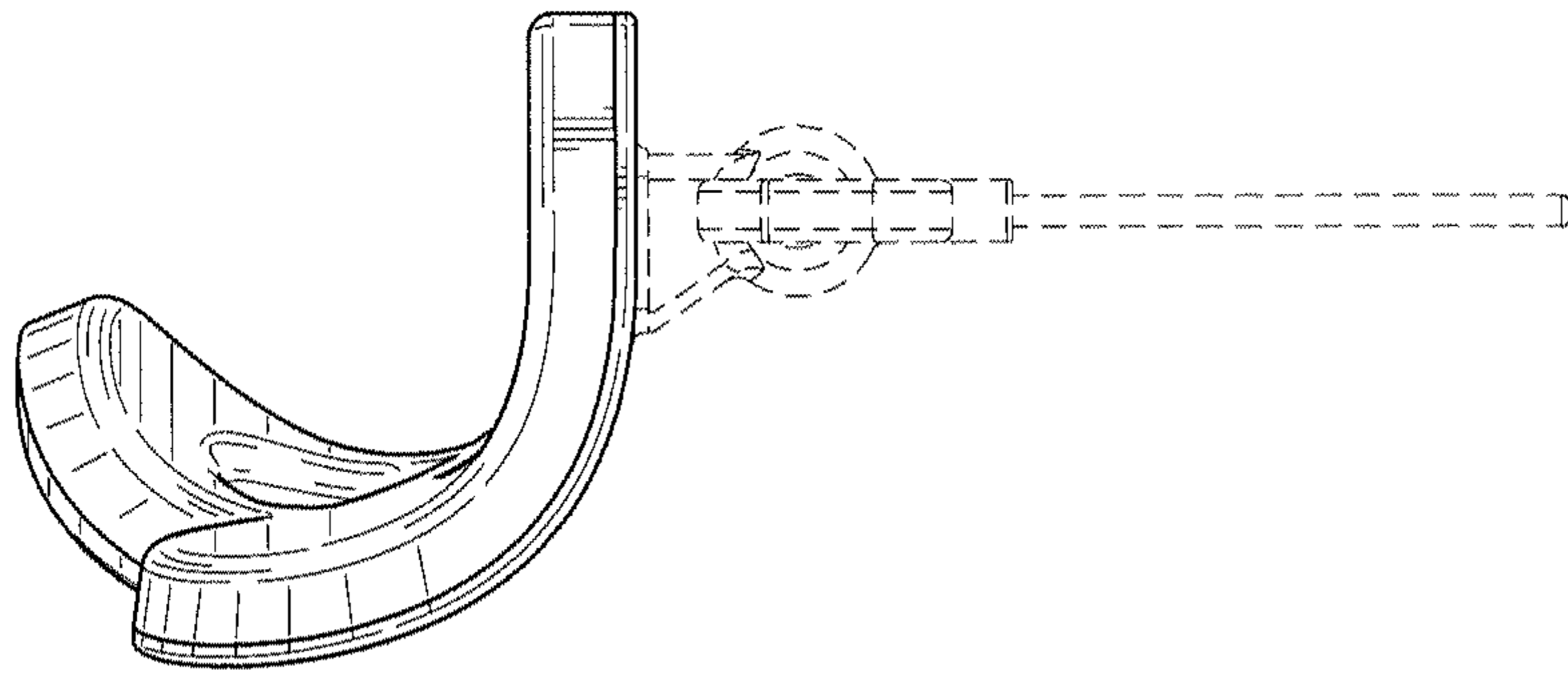


FIG. 6

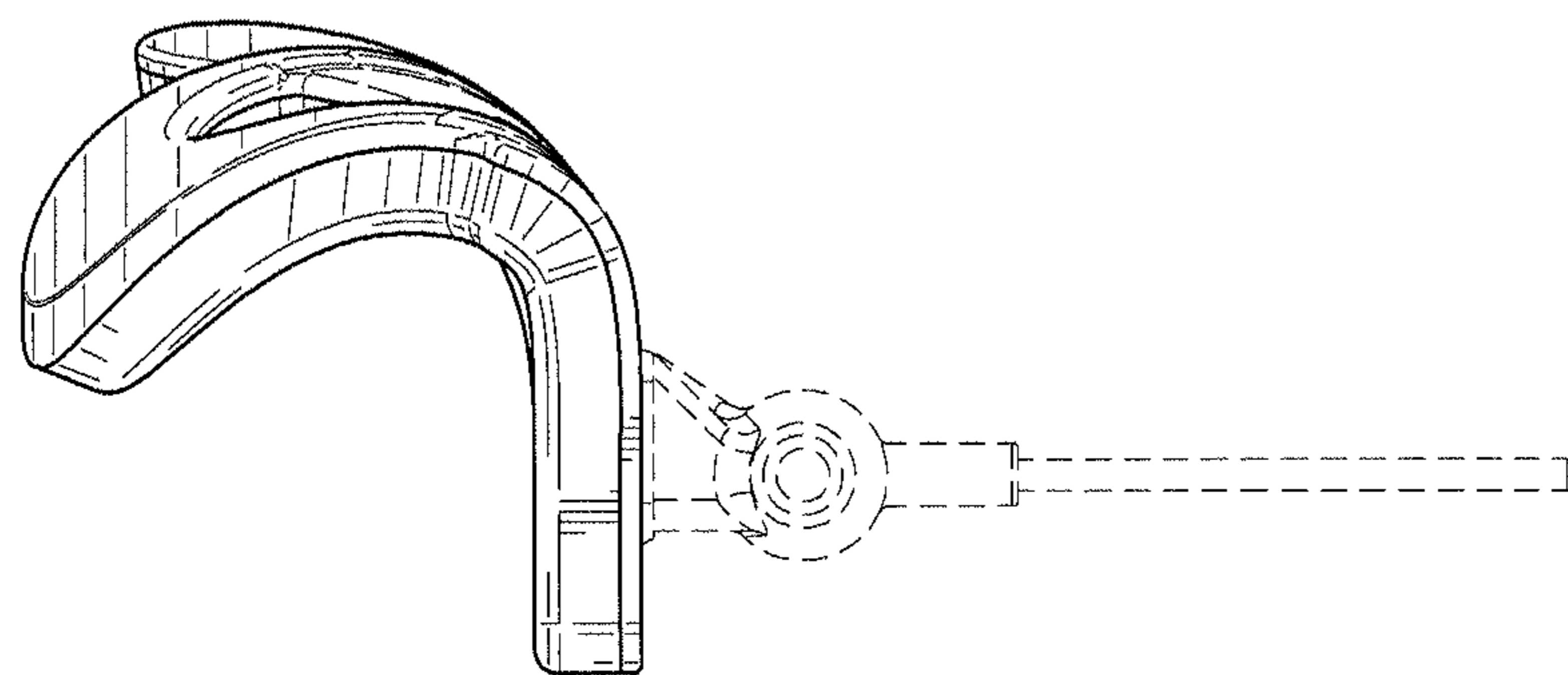


FIG. 4

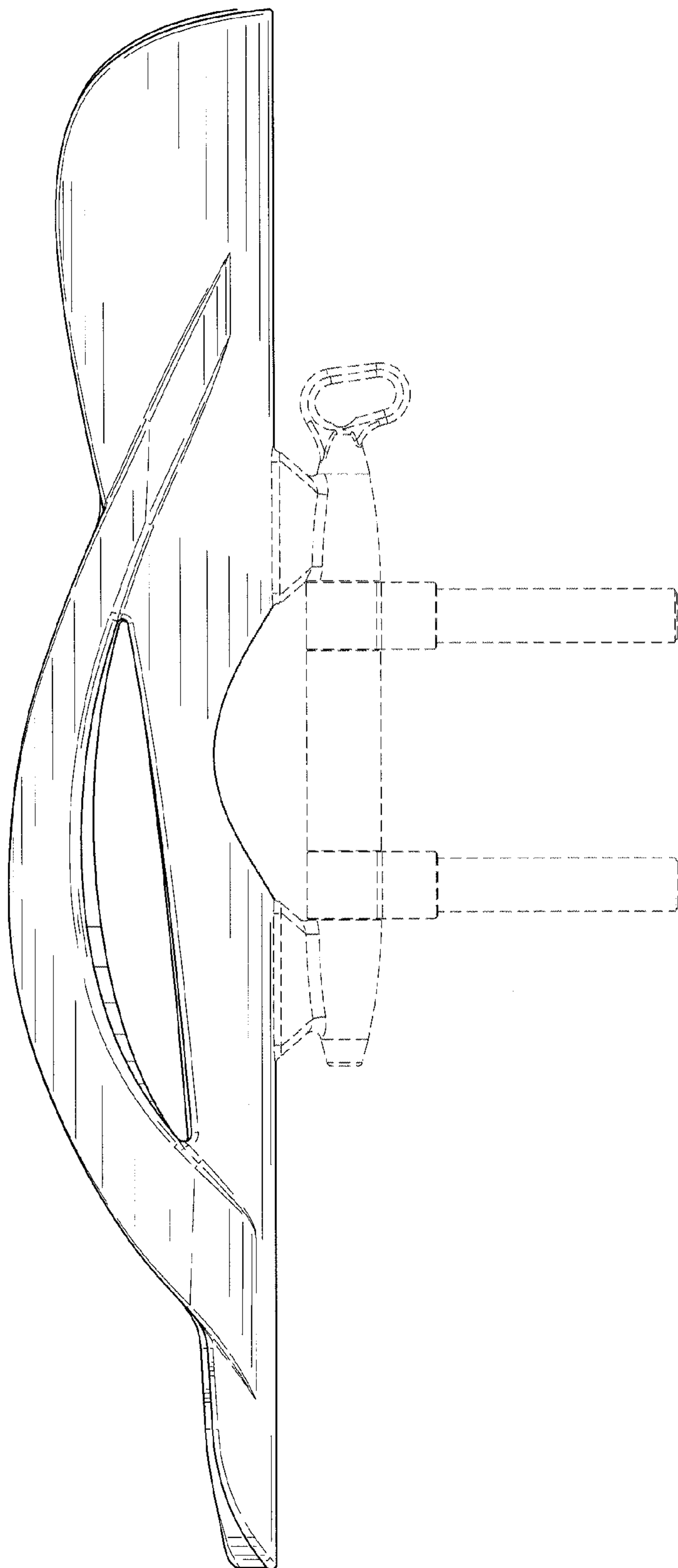


FIG. 5

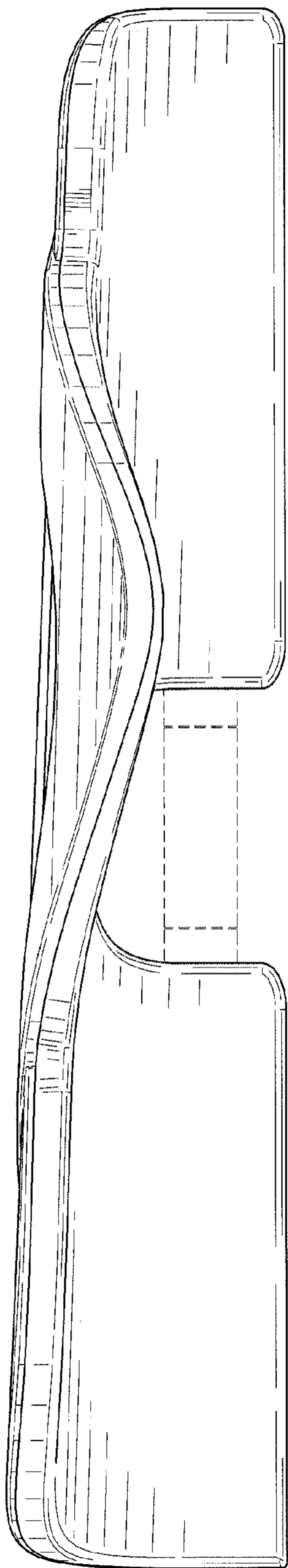


FIG. 7

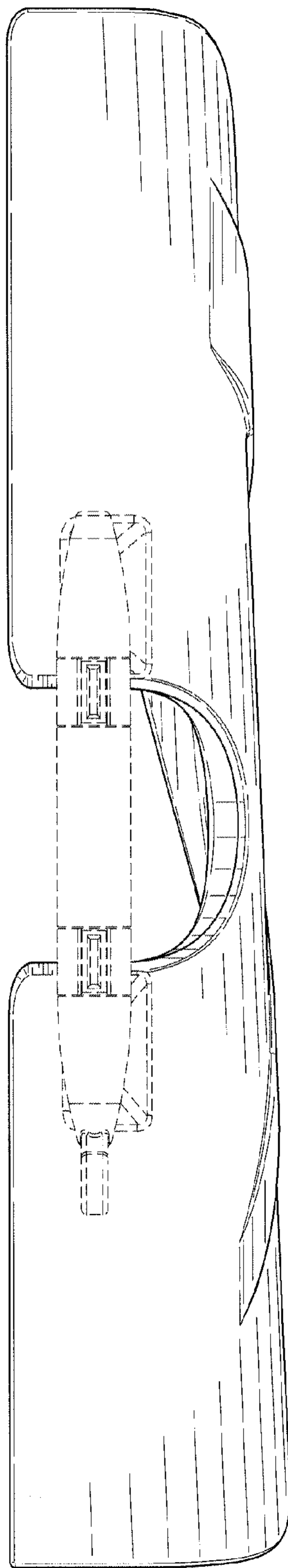


FIG. 8