



US00D745170S

(12) **United States Design Patent**  
**Hornek et al.**

(10) **Patent No.:** **US D745,170 S**  
(45) **Date of Patent:** **\*\* Dec. 8, 2015**

(54) **DENTAL CABINET**

(71) Applicant: **Midmark Corporation**, Versailles, OH (US)

(72) Inventors: **Adam L. Hornek**, Glasgow, KY (US); **Christina A. Subler-Treon**, Versailles, OH (US); **Stuart A. Karten**, Venice, CA (US); **Jonathan P. Abarbanel**, Los Angeles, CA (US); **Jeffrey W. Bentzler**, Playa Del Rey, CA (US); **Cynthia Hagop Kossayan**, Santa Monica, CA (US)

(73) Assignee: **MIDMARK CORPORATION**, Versailles, OH (US)

(\*\*) Term: **14 Years**

(21) Appl. No.: **29/471,297**

(22) Filed: **Oct. 30, 2013**

(51) **LOC (10) Cl.** ..... **24-02**

(52) **U.S. Cl.**  
USPC ..... **D24/177**

(58) **Field of Classification Search**  
USPC ..... D24/152–154, 177–179, 186; D23/273, D23/284–290, 293.1, 303, 308; 312/140.1–140.3, 204, 228, 209, 279, 312/319, 328, 330.1, 334.1; 4/619–620, 4/624–625, 630–631, 661  
See application file for complete search history.

(56) **References Cited**

**U.S. PATENT DOCUMENTS**

1,778,163	A *	10/1930	Moore	.....	312/198
5,577,817	A *	11/1996	Reynolds	.....	312/107
7,013,902	B2 *	3/2006	Stout et al.	.....	134/104.2
D532,991	S	12/2006	Gozzi et al.		
D550,335	S	9/2007	Terrill		
D571,477	S	6/2008	Terrill		
D575,854	S	8/2008	Gozzi et al.		
D589,036	S	3/2009	Unsworth		
D590,630	S *	4/2009	Singler et al.	.....	D6/432

D594,557	S	6/2009	Hirayoshi		
D597,340	S	8/2009	Helgesen et al.		
D598,212	S	8/2009	Baird et al.		
D613,523	S	4/2010	Baird et al.		
D619,259	S	7/2010	Hirayoshi		
D619,260	S	7/2010	Hirayoshi		
D619,261	S	7/2010	Hirayoshi		
D619,262	S	7/2010	Hirayoshi		
D619,263	S	7/2010	Hirayoshi		
D619,721	S	7/2010	Hirayoshi		
2009/0079305	A1 *	3/2009	Hirayoshi	.....	312/209

\* cited by examiner

*Primary Examiner* — Wan Laymon

*Assistant Examiner* — Mark Booker

(74) *Attorney, Agent, or Firm* — Frost Brown Todd LLC

(57) **CLAIM**

The ornamental design for the dental cabinet, as shown and described.

**DESCRIPTION**

FIG. 1 is an isometric view of our new dental cabinet design, depicting the environment;

FIG. 2 is an enlarged isometric view thereof;

FIG. 3 is an exploded top isometric view of an upholstered column, top counter surface, and bottom cabinet surface thereof;

FIG. 4 is an exploded bottom isometric view of the upholstered column, top counter surface, and bottom cabinet surface thereof;

FIG. 5 is an exploded front elevation view thereof;

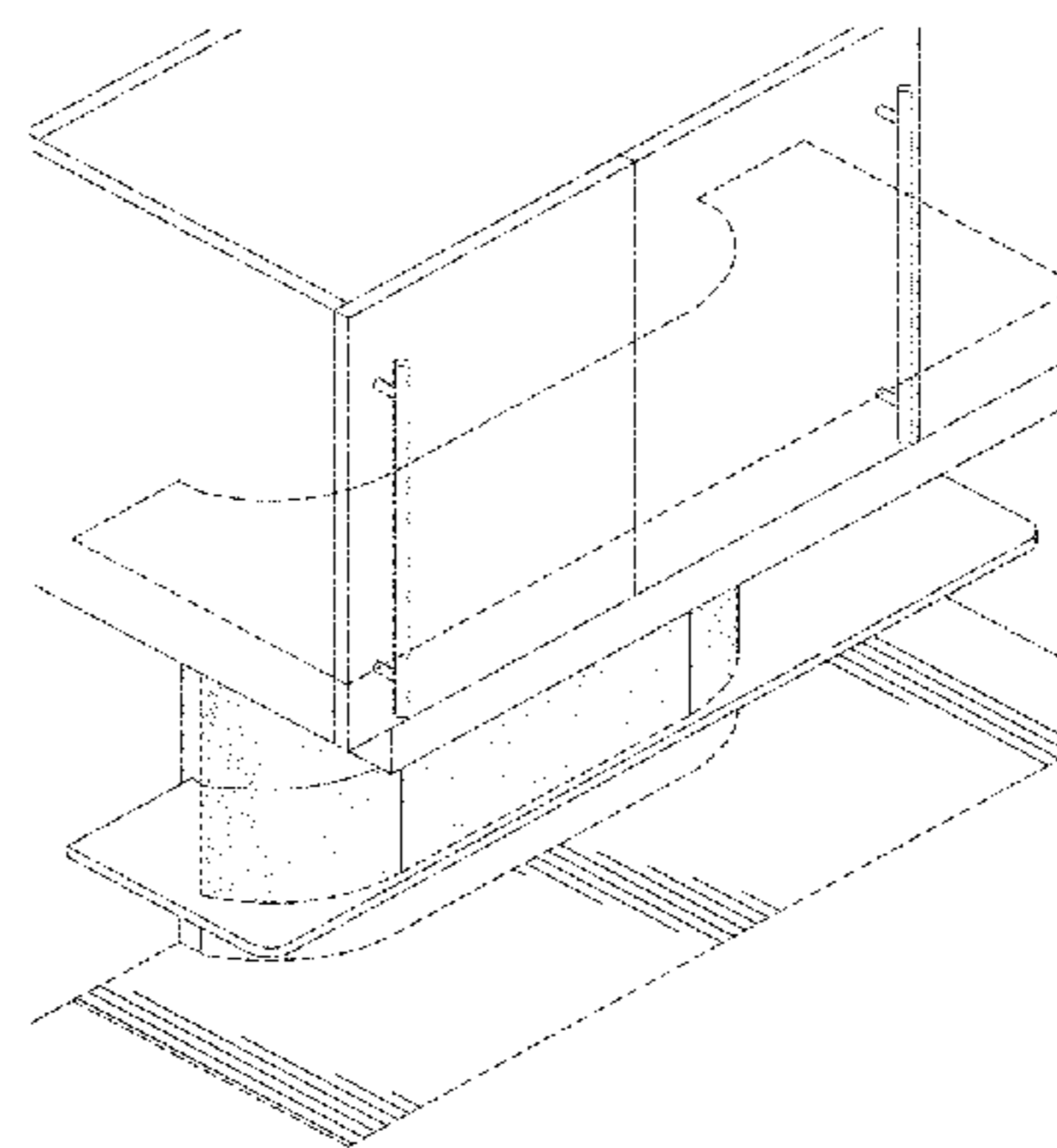
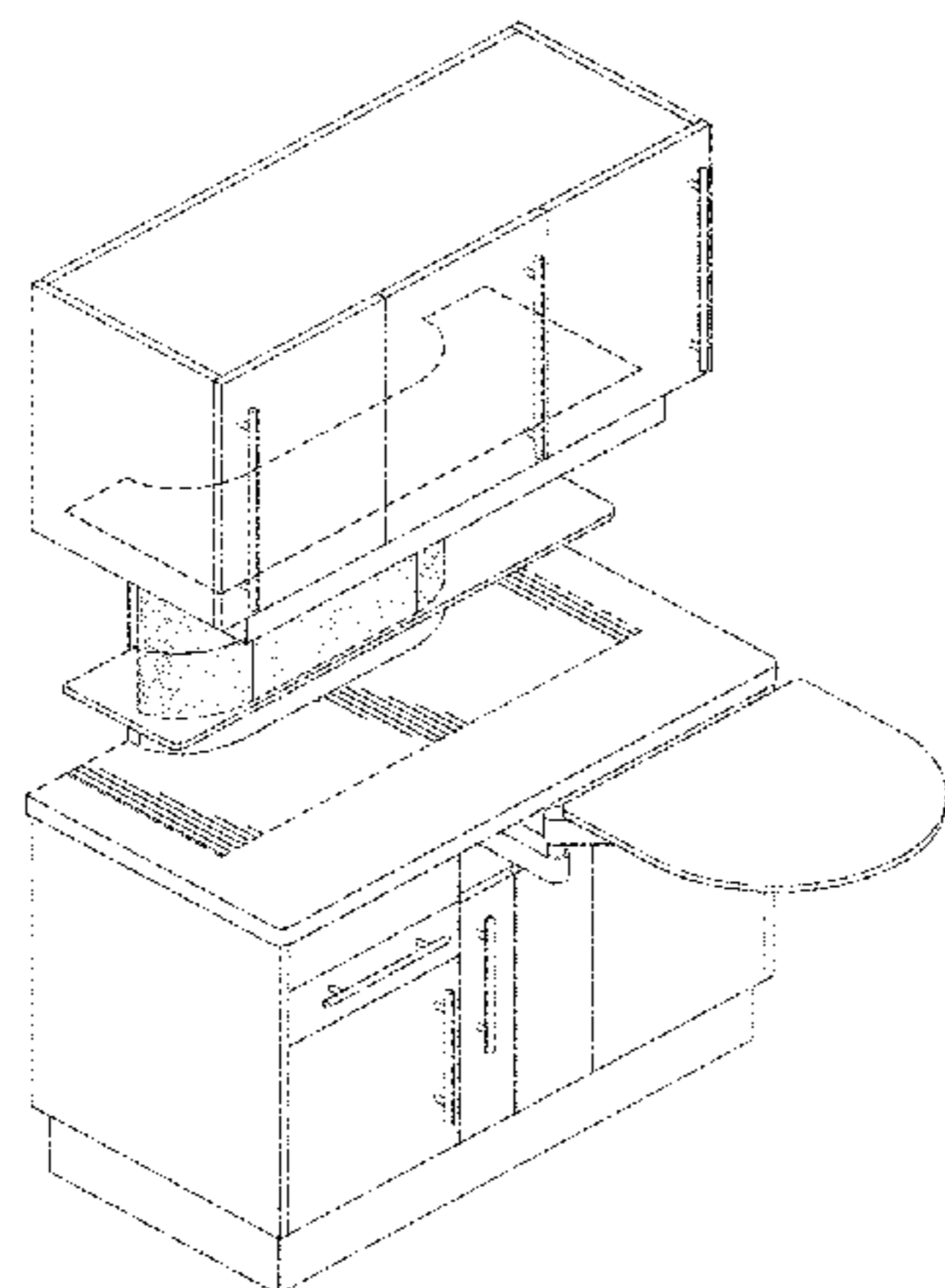
FIG. 6 is an exploded left-side elevation view thereof (the right-side elevation view being a mirror image of FIG. 6); and,

FIG. 7 is a top plan view of thereof (the bottom plan view being a mirror image of FIG. 7).

The broken dot-dash lines throughout the figures of the dental cabinet are intended to denote environment structure. Neither the broken dot-dash lines themselves, nor the regions within the lines, form any part of the claimed design.

The stippled portions of the dental cabinet design shown throughout the figures are intended to denote a fabric-like or upholstered appearance.

**1 Claim, 5 Drawing Sheets**



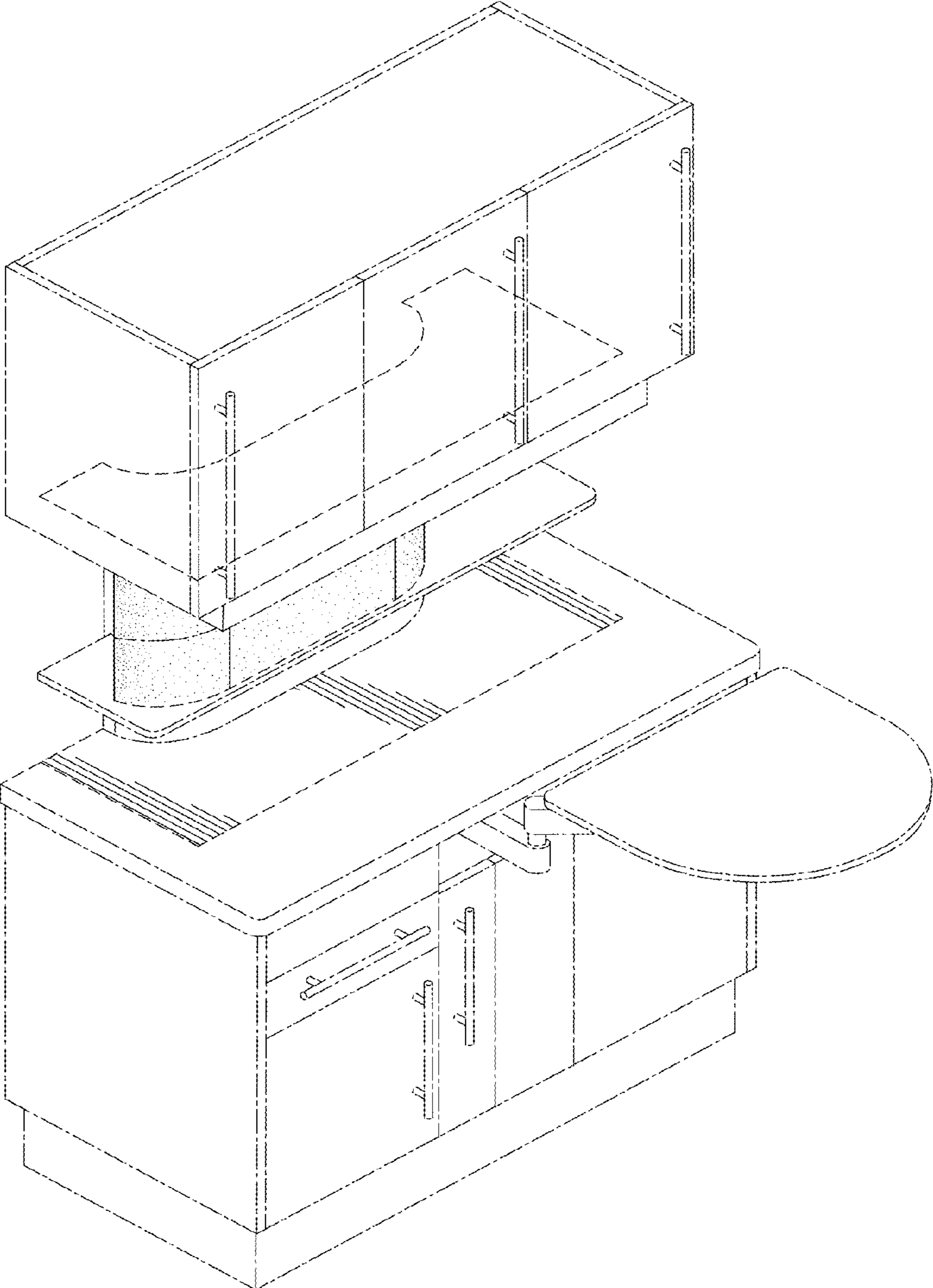


FIG. 1

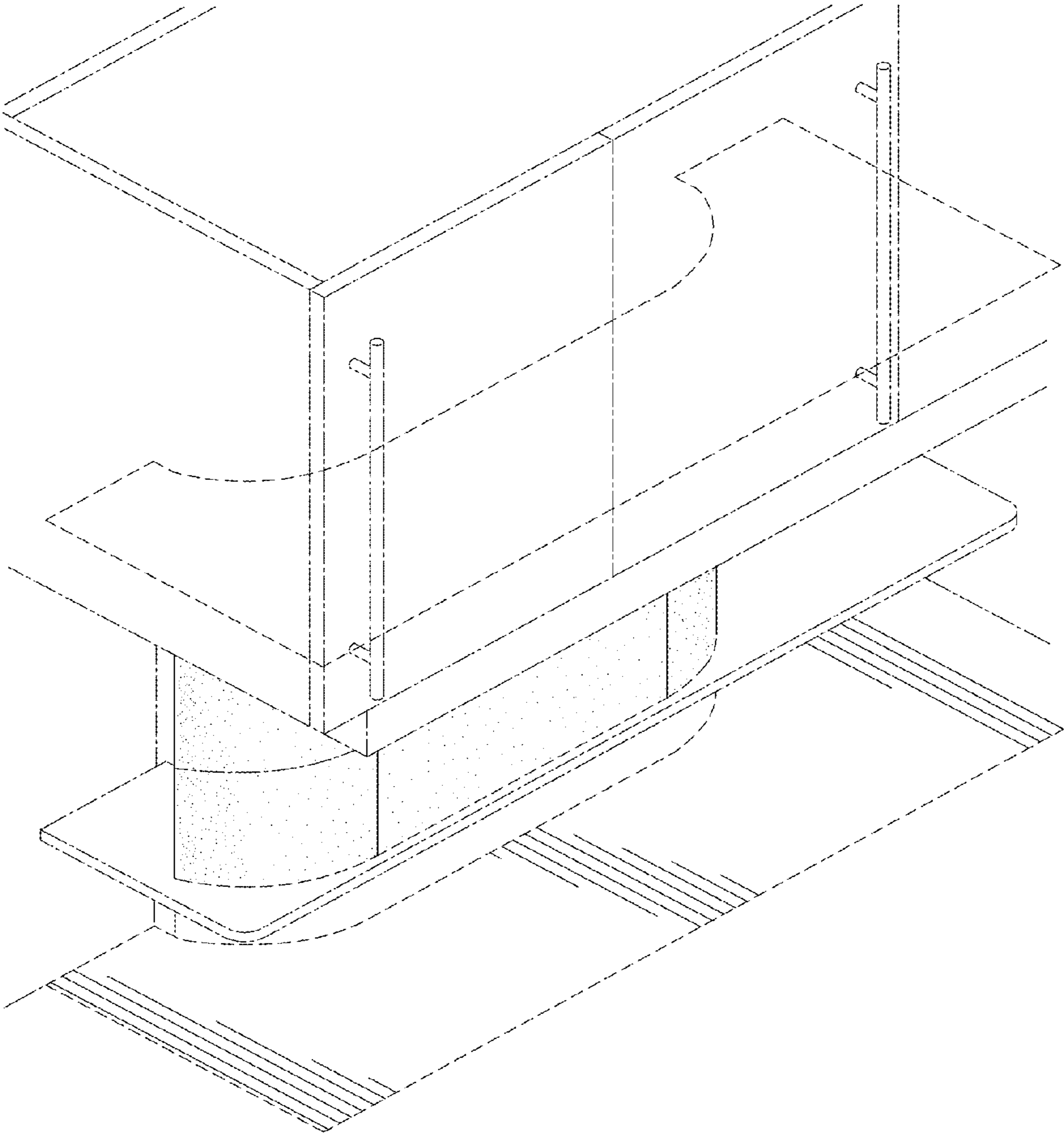


FIG. 2

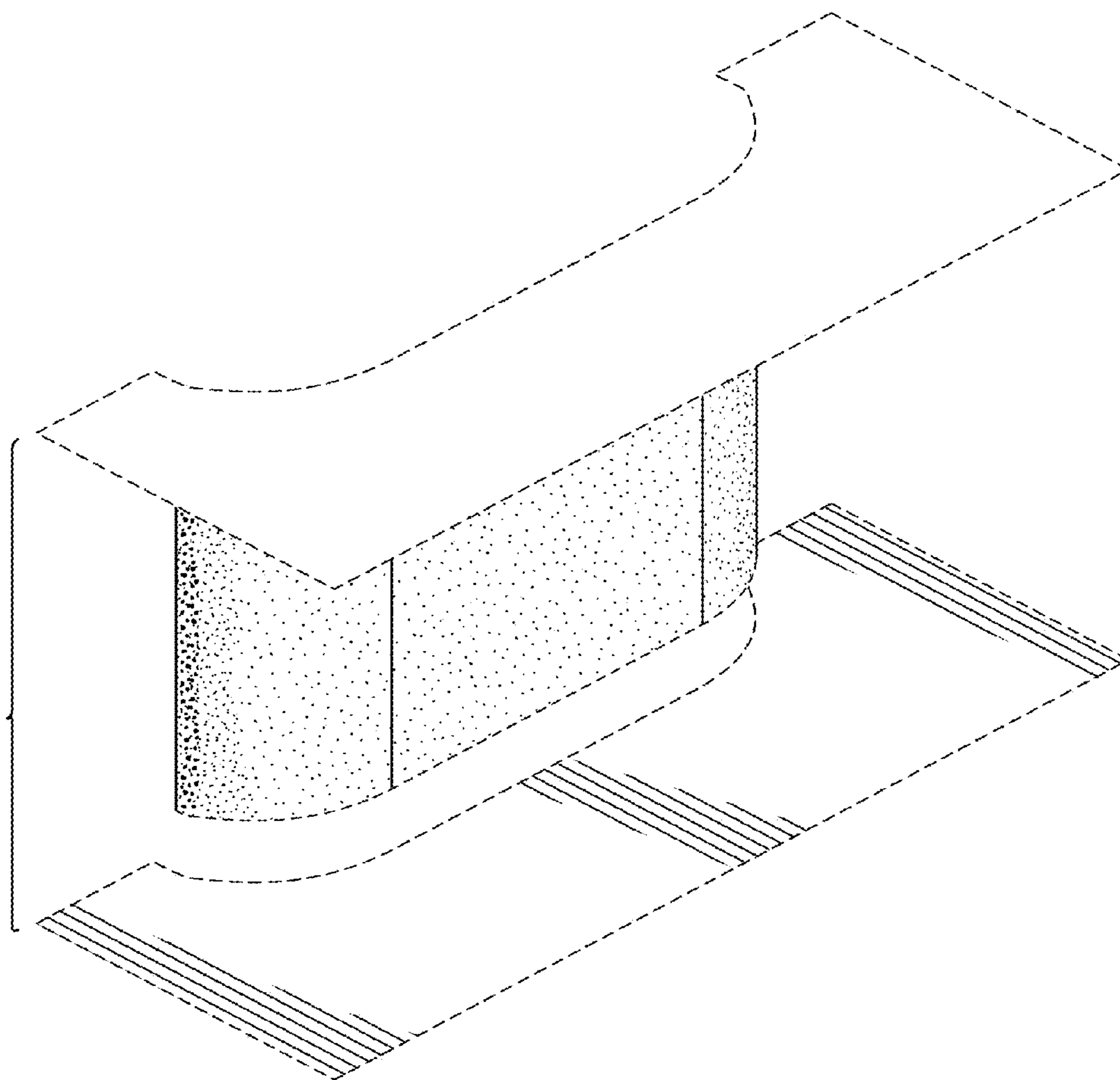


FIG. 3

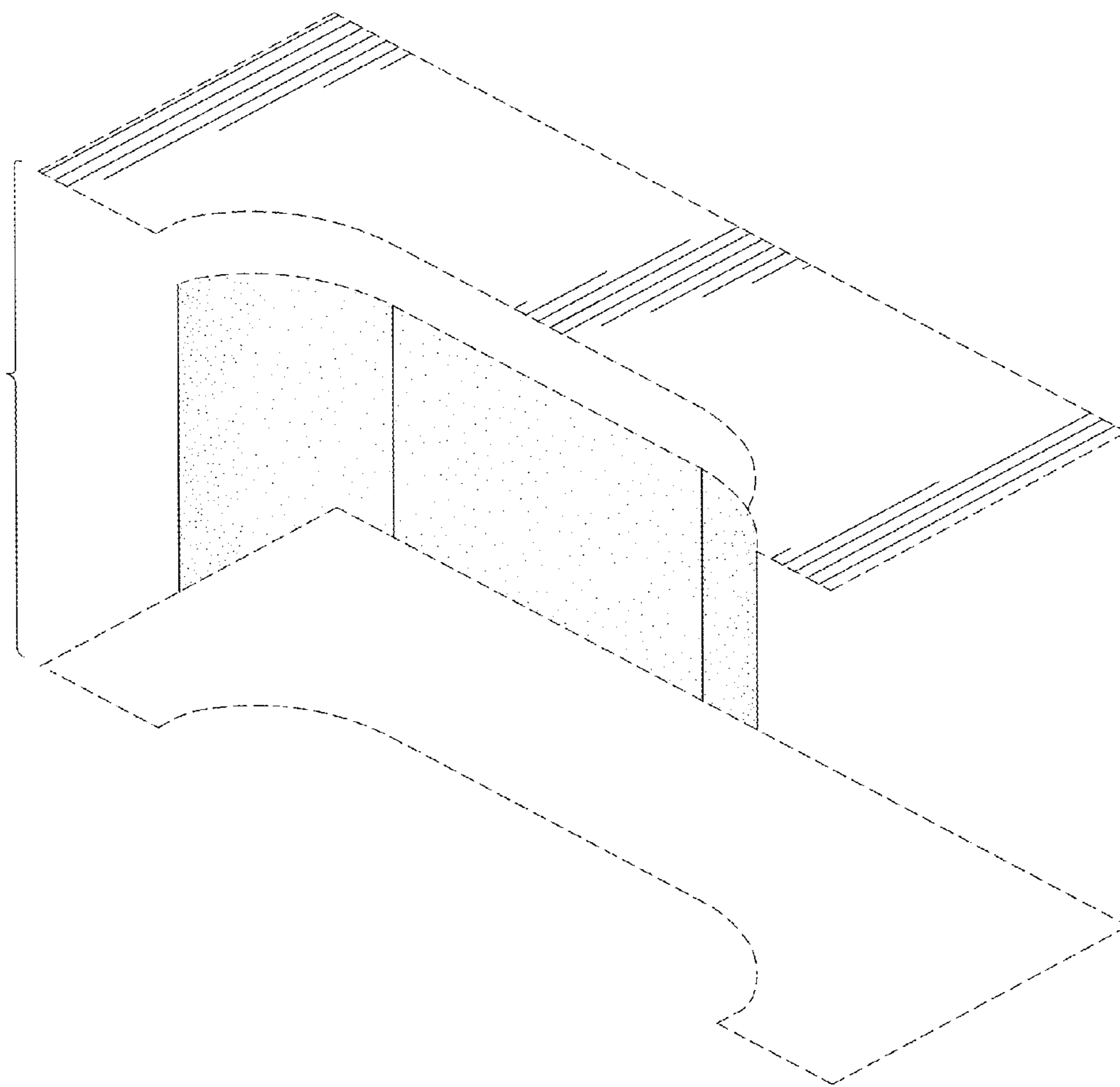


FIG. 4

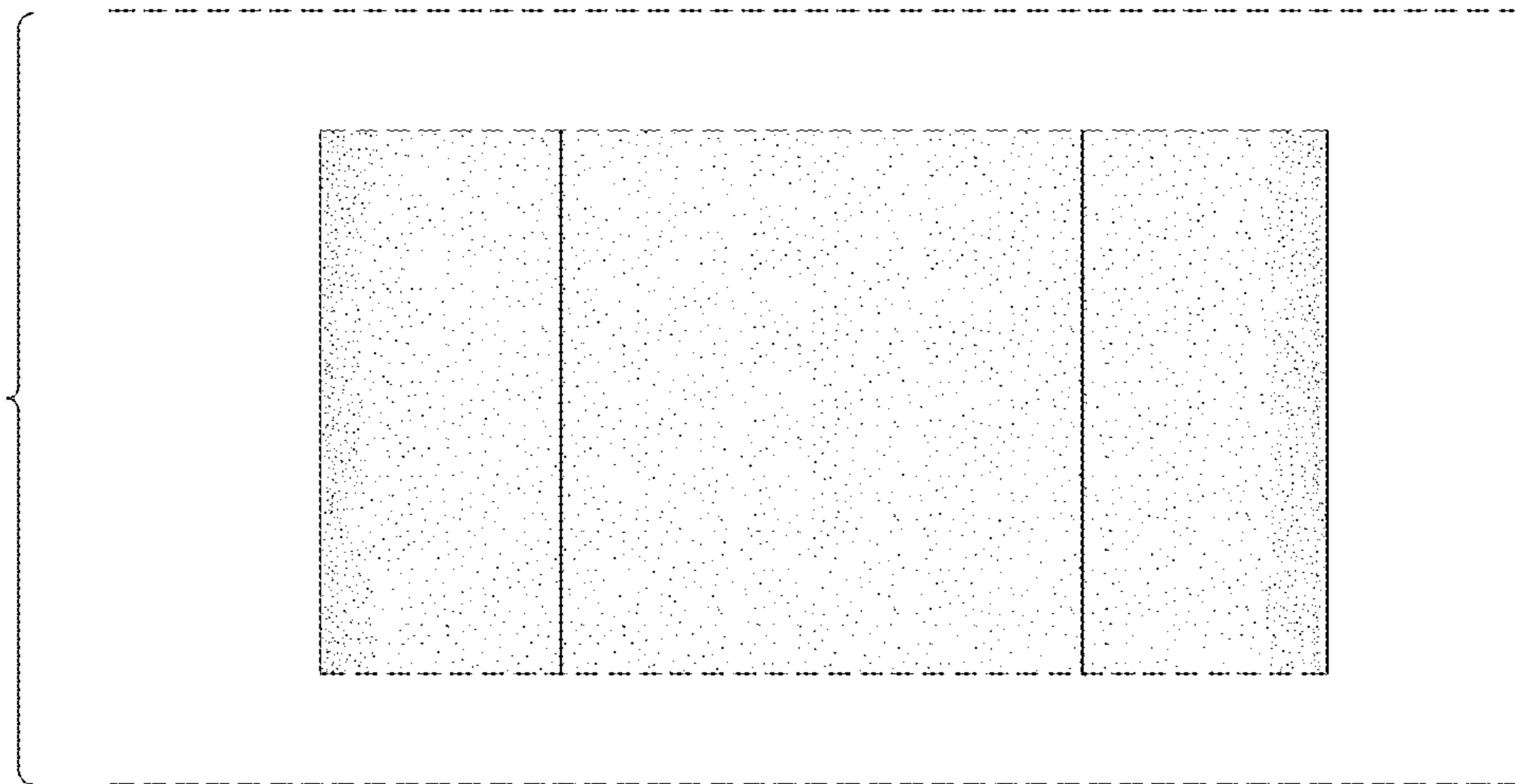


FIG. 5

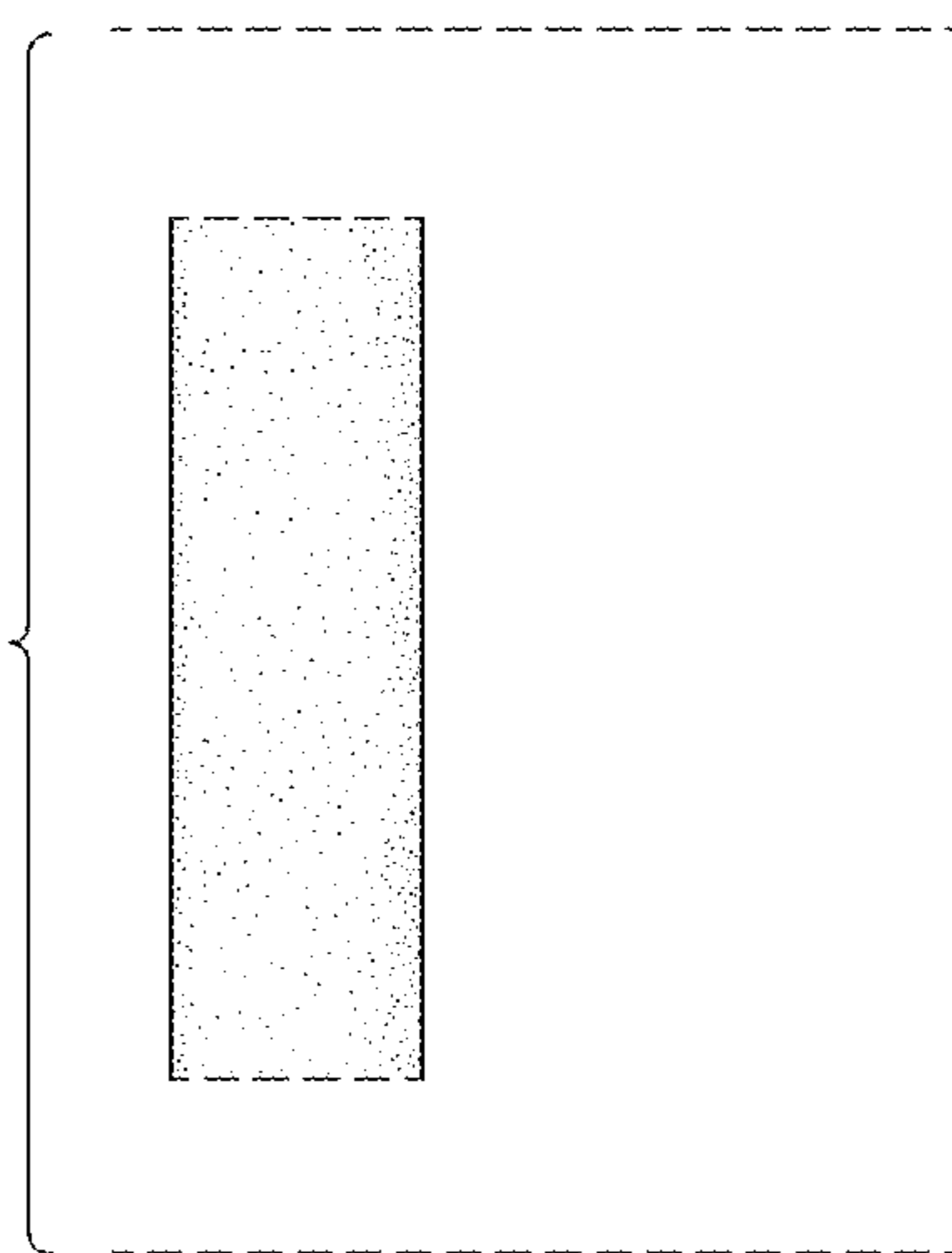


FIG. 6

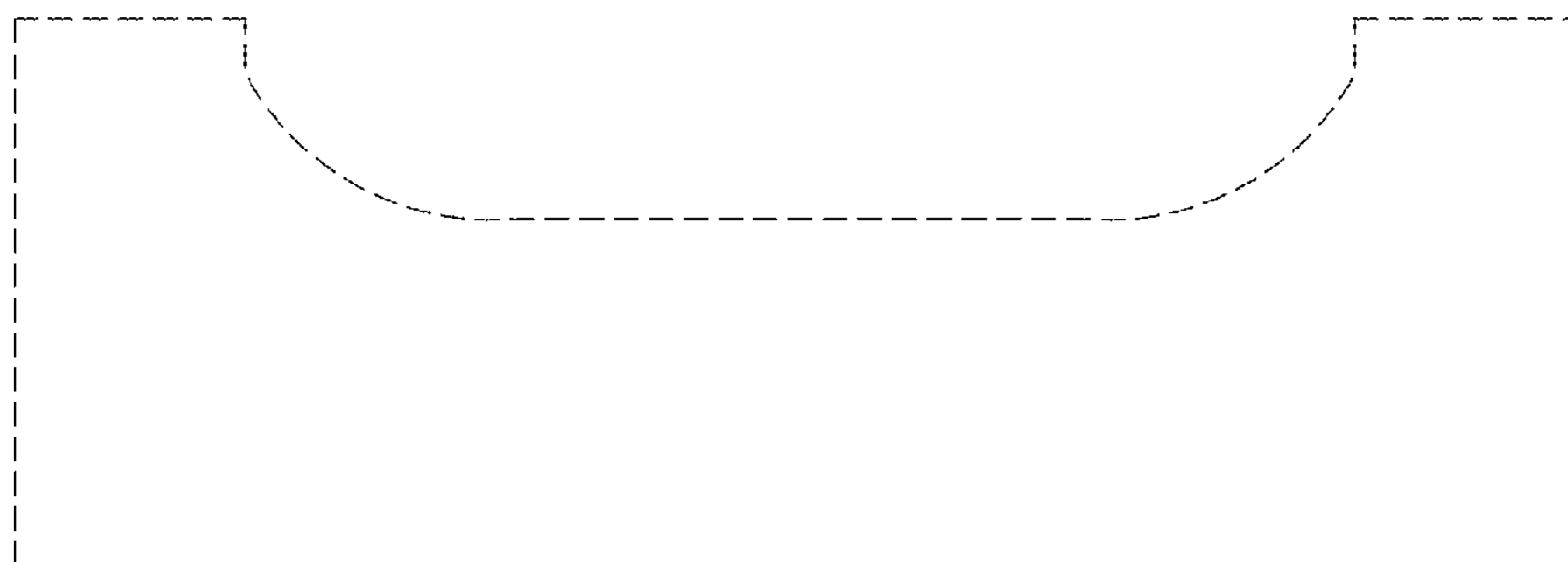


FIG. 7