



US00D745169S

(12) **United States Design Patent**  
**Sztuk**

(10) **Patent No.:** **US D745,169 S**  
(45) **Date of Patent:** **\*\* Dec. 8, 2015**

- (54) **EYE TRACKING APPARATUS**
- (71) Applicant: **The Eye Tribe ApS**, Copenhagen S (DK)
- (72) Inventor: **Sebastian Sztuk**, Copenhagen (DK)
- (73) Assignee: **THE EYE TRIBE APS**, Copenhagen S (DK)
- (\*\*) Term: **14 Years**
- (21) Appl. No.: **29/497,490**
- (22) Filed: **Aug. 6, 2014**
- (30) **Foreign Application Priority Data**

5,148,807	A *	9/1992	Hsu	600/402
5,500,699	A *	3/1996	Ginsburg	351/239
5,640,962	A *	6/1997	Jean et al.	600/407
5,801,809	A *	9/1998	Husain	351/239
5,877,905	A *	3/1999	Schwartz	359/846
6,079,831	A *	6/2000	Sarver et al.	351/247
6,095,989	A *	8/2000	Hay et al.	600/558
6,542,081	B2 *	4/2003	Torch	340/575
7,222,961	B2 *	5/2007	Soliz et al.	351/200
7,264,356	B2 *	9/2007	Jones et al.	351/242
8,275,438	B2 *	9/2012	Simpson et al.	600/345
D685,480	S *	7/2013	Husain	D24/172
2004/0193070	A1 *	9/2004	Schilder et al.	600/558
2004/0223118	A1 *	11/2004	Jean et al.	351/200
2006/0132712	A1 *	6/2006	Grove et al.	351/212
2006/0270946	A1 *	11/2006	Silvestrini et al.	600/558
2008/0204659	A1 *	8/2008	Carbonari	351/212
2009/0185134	A1 *	7/2009	Sarver	351/212

(Continued)

- Jan. 28, 2014 (DK) ..... 002393389-0001
- (51) **LOC (10) Cl.** ..... **24-00**
- (52) **U.S. Cl.**  
USPC ..... **D24/172**
- (58) **Field of Classification Search**  
USPC ..... D24/172, 150, 157; D21/306; 351/226, 351/239, 247, 200, 212, 242, 246, 202, 351/201; 600/402, 407, 558, 345; 359/848, 359/846; 340/575; 345/163  
CPC ..... A61B 3/024; A61B 3/032; A61B 3/107; A61B 3/103; A61B 3/08; A61B 3/02; A61B 3/16; A61B 19/5244; A61B 5/14532; A61B 5/16; G02B 5/08; G02B 26/0825; G08B 21/06; G06F 3/03543  
See application file for complete search history.

**FOREIGN PATENT DOCUMENTS**

WO WO 2014/125380 A2 8/2014  
WO WO 2014/170760 A2 10/2014

*Primary Examiner* — Holly Baynham  
*Assistant Examiner* — Rhea Shields  
(74) *Attorney, Agent, or Firm* — Wilson Sonsini Goodrich & Rosati

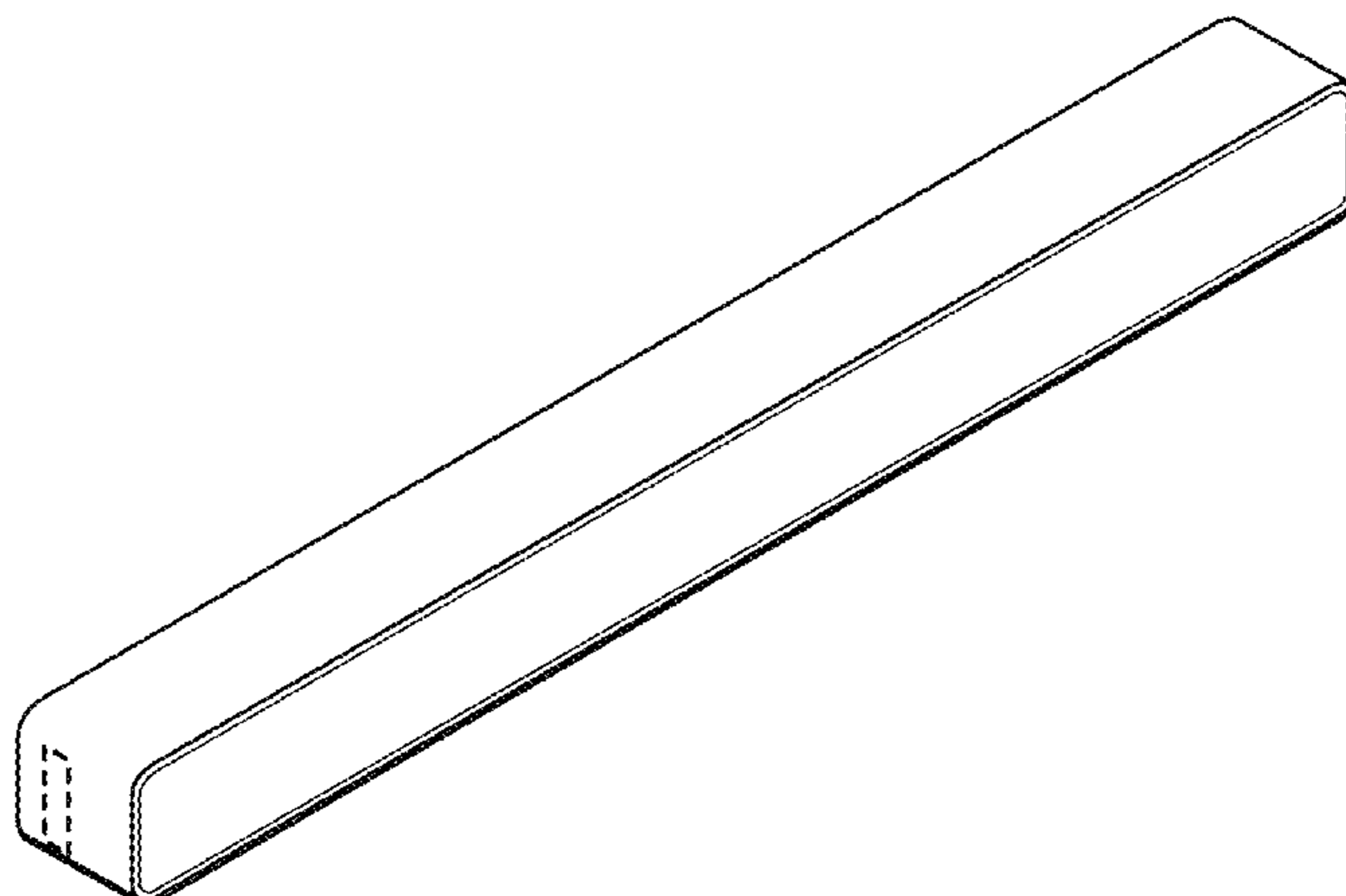
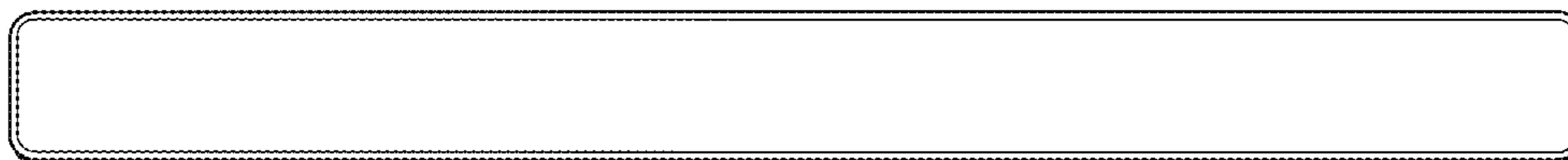
(57) **CLAIM**  
The ornamental design for an eye tracking apparatus, as shown and described.

**DESCRIPTION**

FIG. 1 is a top plan view of an eye tracking apparatus;  
FIG. 2 is a bottom plan view of an eye tracking apparatus;  
FIG. 3 is a front view thereof;  
FIG. 4 is a right side view thereof;  
FIG. 5 is a left side view thereof;  
FIG. 6 is a top perspective view thereof; and,  
FIG. 7 is a bottom perspective view thereof.

**1 Claim, 2 Drawing Sheets**

- (56) **References Cited**  
U.S. PATENT DOCUMENTS  
3,288,546 A \* 11/1966 Gans ..... 351/226  
4,365,873 A \* 12/1982 Ginsburg ..... 351/239  
4,420,223 A \* 12/1983 Watanabe et al. .... 359/848  
4,615,594 A \* 10/1986 Task ..... 351/239



(56)

**References Cited**

U.S. PATENT DOCUMENTS

2009/0231545	A1*	9/2009	Peyman .....	351/246	2011/0267577	A1*	11/2011	Verma .....	351/201
2010/0182568	A1*	7/2010	Sarver .....	351/212	2013/0286351	A1*	10/2013	Shimizu .....	351/212
2011/0013142	A1*	1/2011	Husain .....	351/239	2014/0145935	A1	5/2014	Sztuk et al.	
2011/0199574	A1*	8/2011	Van Dalen et al. ....	351/202	2014/0204029	A1*	7/2014	Lopez et al. ....	345/163
					2014/0226131	A1	8/2014	Lopez et al.	
					2014/0306882	A1	10/2014	Johansen et al.	

\* cited by examiner

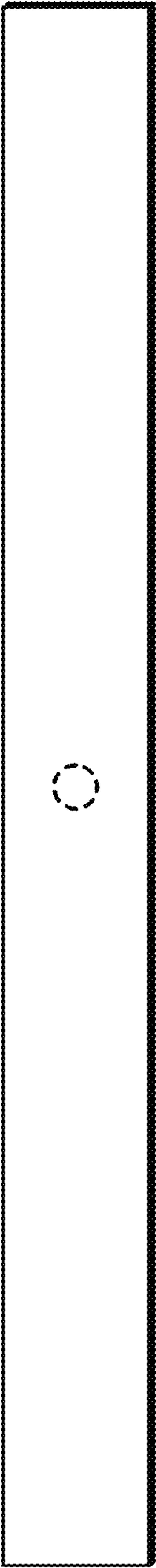


FIG. 1

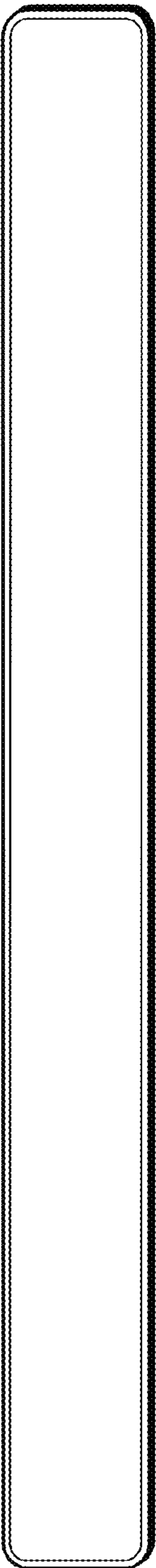


FIG. 2

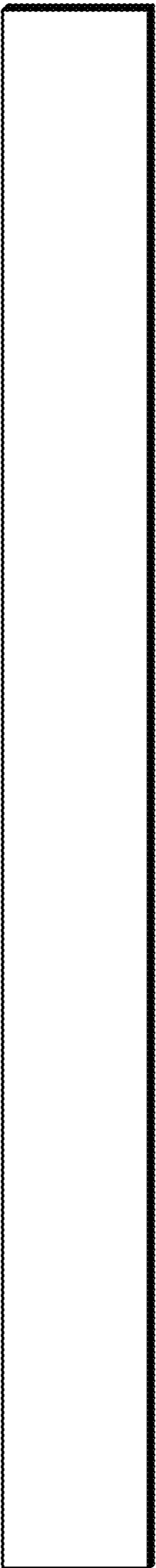


FIG. 3

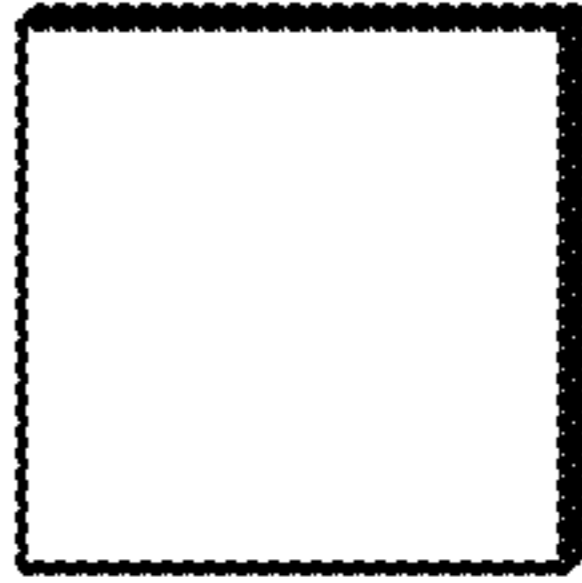


FIG. 4

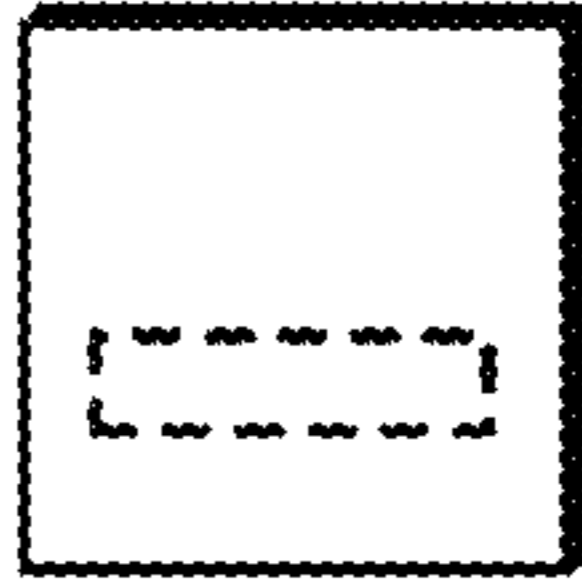
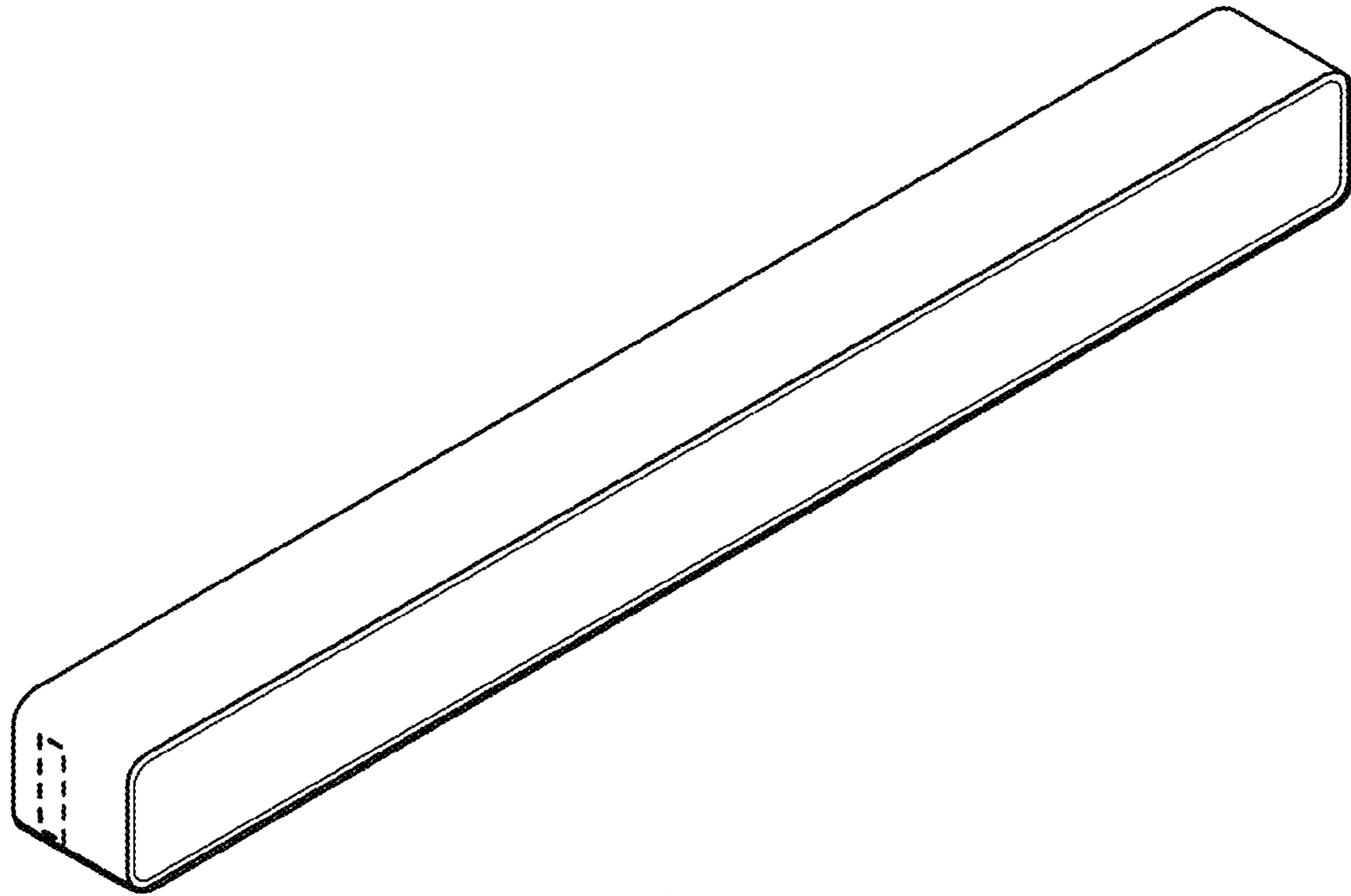
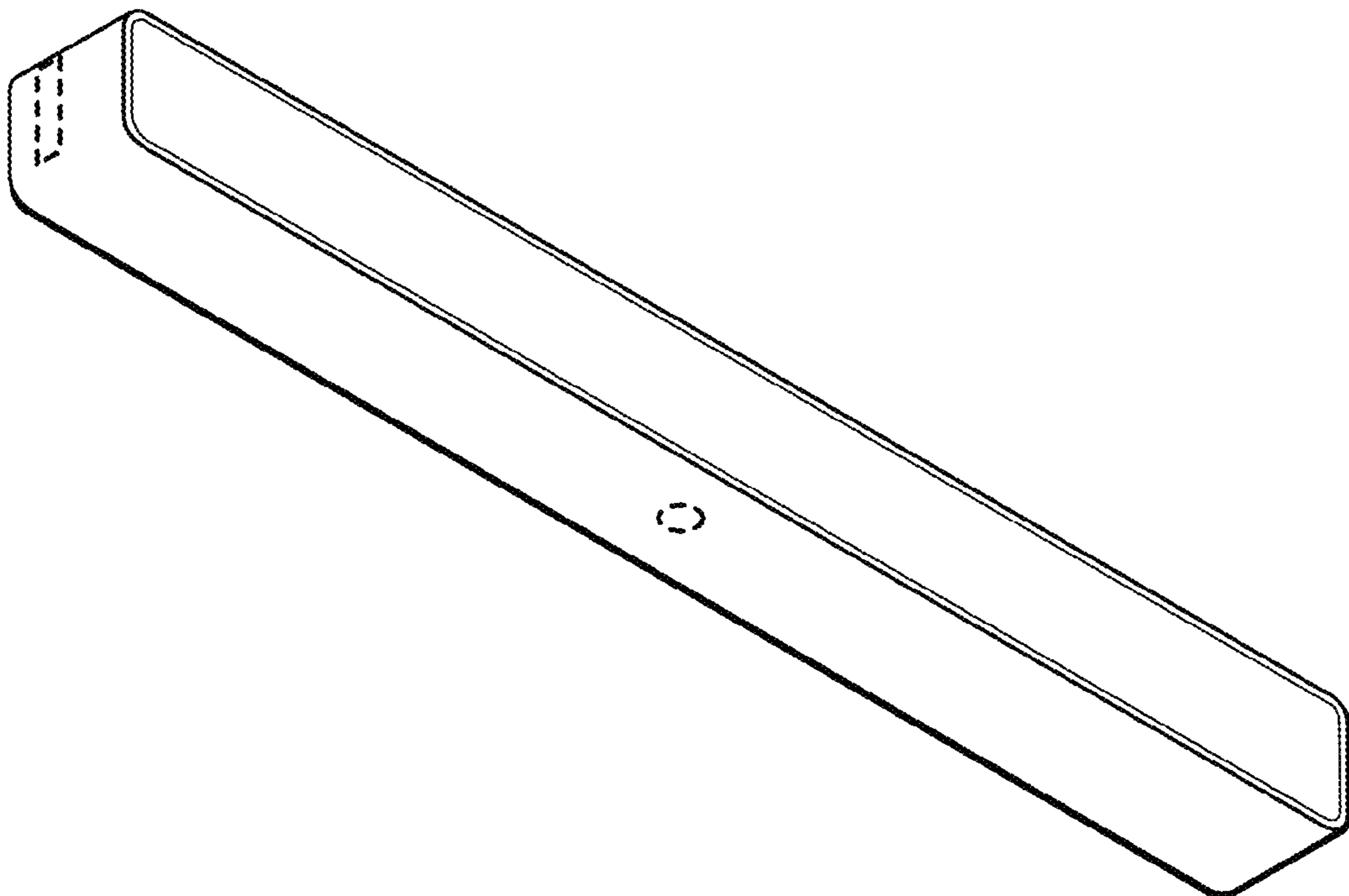


FIG. 5



**FIG. 6**



**FIG. 7**