



US00D745166S

(12) **United States Design Patent**
Chang et al.

(10) **Patent No.:** **US D745,166 S**

(45) **Date of Patent:** **** Dec. 8, 2015**

(54) **ELECTRO MERIDIAN SENSOR**

(56) **References Cited**

(71) Applicant: **AETO TECHNOLOGY CORP**, Taipei (TW)

U.S. PATENT DOCUMENTS

(72) Inventors: **Shu-Wei Chang**, Taipei (TW);
Hsin-Cheng Lai, New Taipei (TW);
Ho-Teng Chang, New Taipei (TW)

D419,465 S *	1/2000	Meng	D10/78
D692,142 S *	10/2013	Hughes	D24/167
D709,392 S *	7/2014	Wang	D10/70
D717,443 S *	11/2014	Hughes	D24/167
2007/0197881 A1 *	8/2007	Wolf	A61B 5/0002 600/300

(73) Assignee: **AETO TECHNOLOGY CORP.**, Taipei (TW)

* cited by examiner

(**) Term: **14 Years**

Primary Examiner — Antoine D Davis

(74) *Attorney, Agent, or Firm* — WPAT, P.C.; Anthony King

(21) Appl. No.: **29/509,626**

(57) **CLAIM**

The ornamental design for an electro meridian sensor, as shown and described.

(22) Filed: **Nov. 19, 2014**

DESCRIPTION

(51) **LOC (10) CL.** **24-01**

(52) **U.S. CL.**
USPC **D24/167**; D10/78; D24/186

FIG. 1 is a perspective view of an electro meridian sensor showing my new design;

FIG. 2 is a front elevation view thereof;

FIG. 3 is a rear elevation view thereof;

FIG. 4 is a left side elevation view thereof;

FIG. 5 is a right side elevation view thereof;

FIG. 6 is a top plan view thereof; and,

FIG. 7 is a bottom plan view thereof.

The broken lines shown represent unclaimed subject matter and form no part of the claimed design.

(58) **Field of Classification Search**

USPC D10/78; D24/167, 186

CPC G04B 19/00–19/34; G04B 21/12;

G04B 23/12; G04B 37/00–37/228; G04B

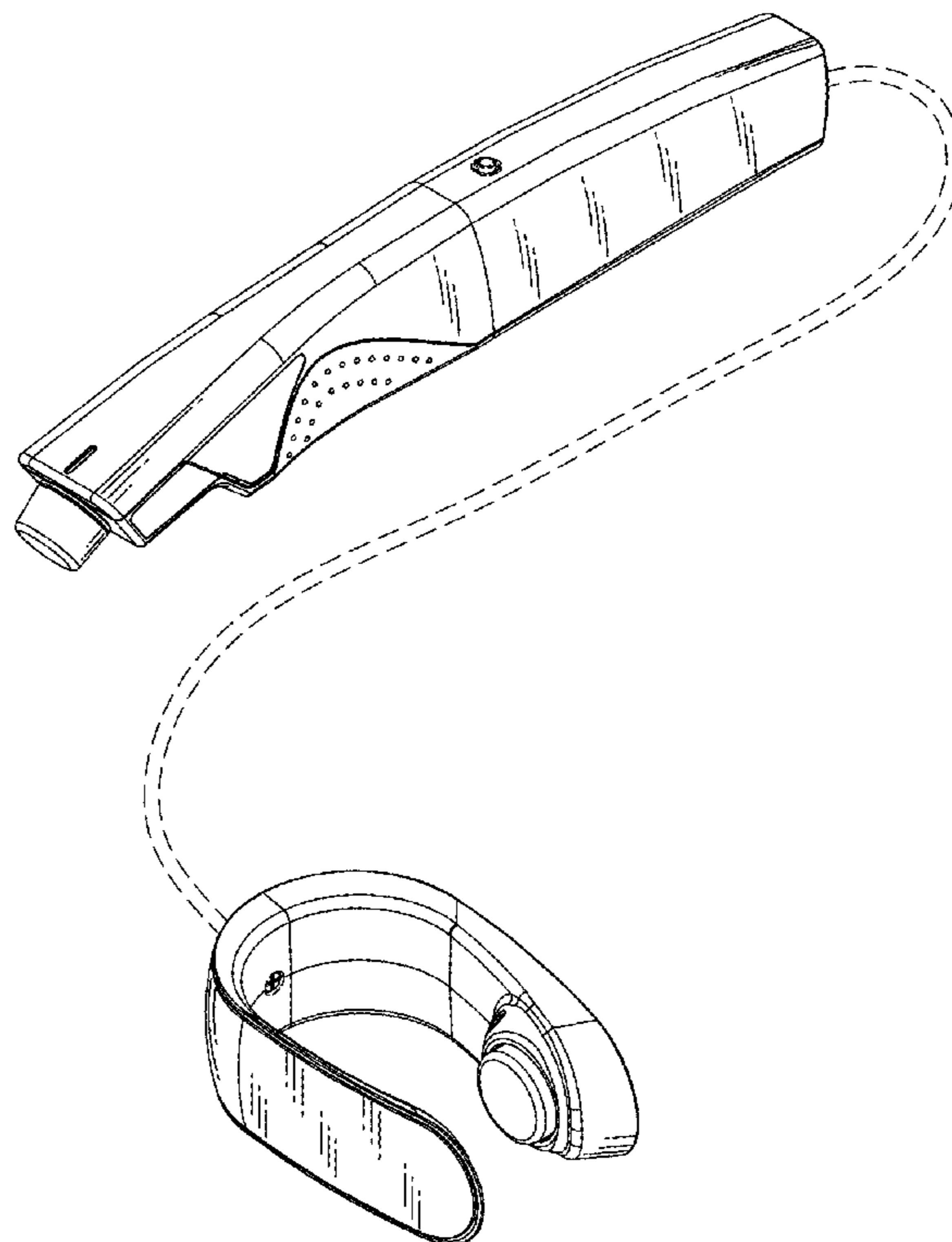
47/00–47/068; G01C 17/00; G01C

21/00–21/3697; G01C 22/00–22/025; G01C

23/00; G06F 19/3481; G06F 3/00–3/027

See application file for complete search history.

1 Claim, 5 Drawing Sheets



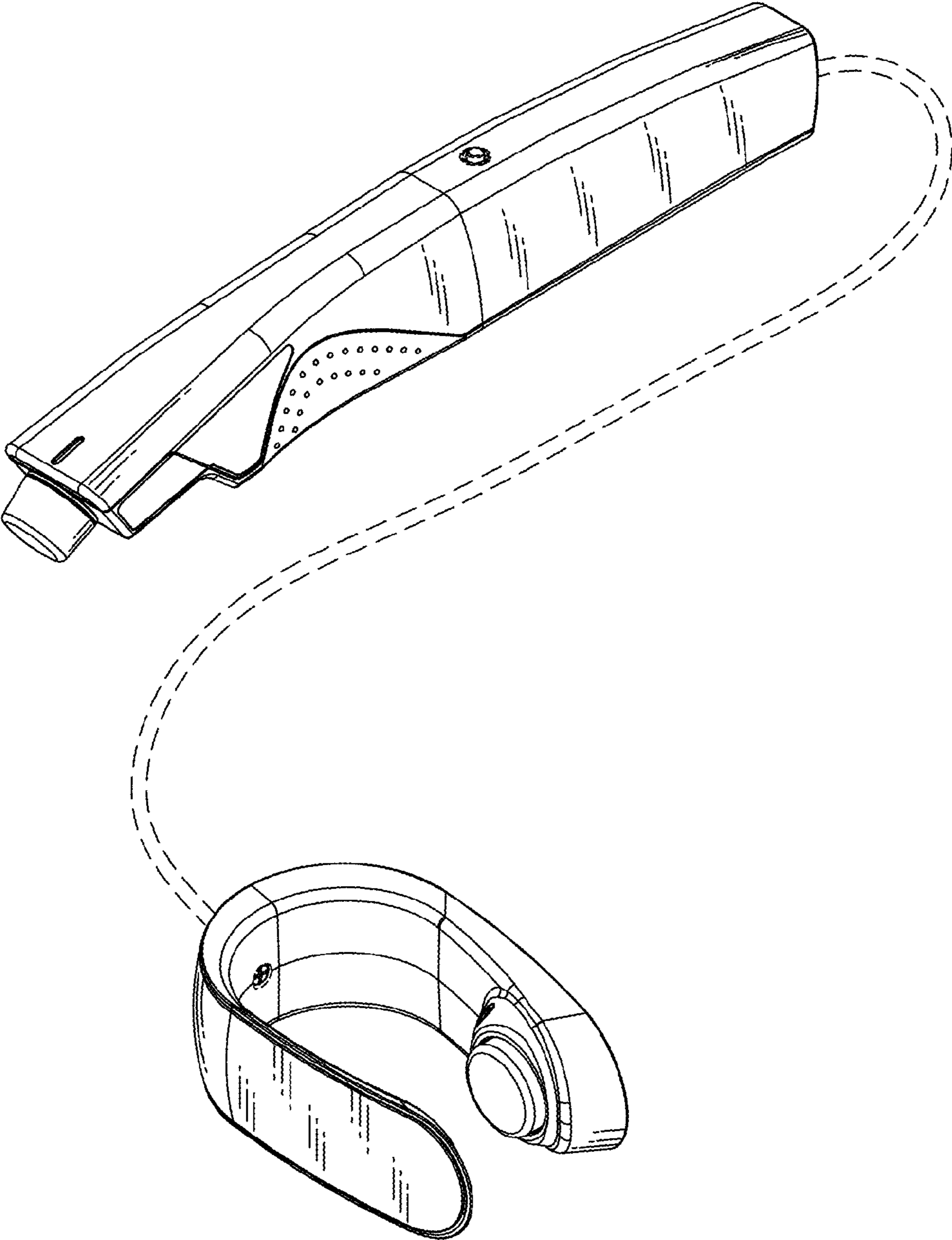


FIG.1

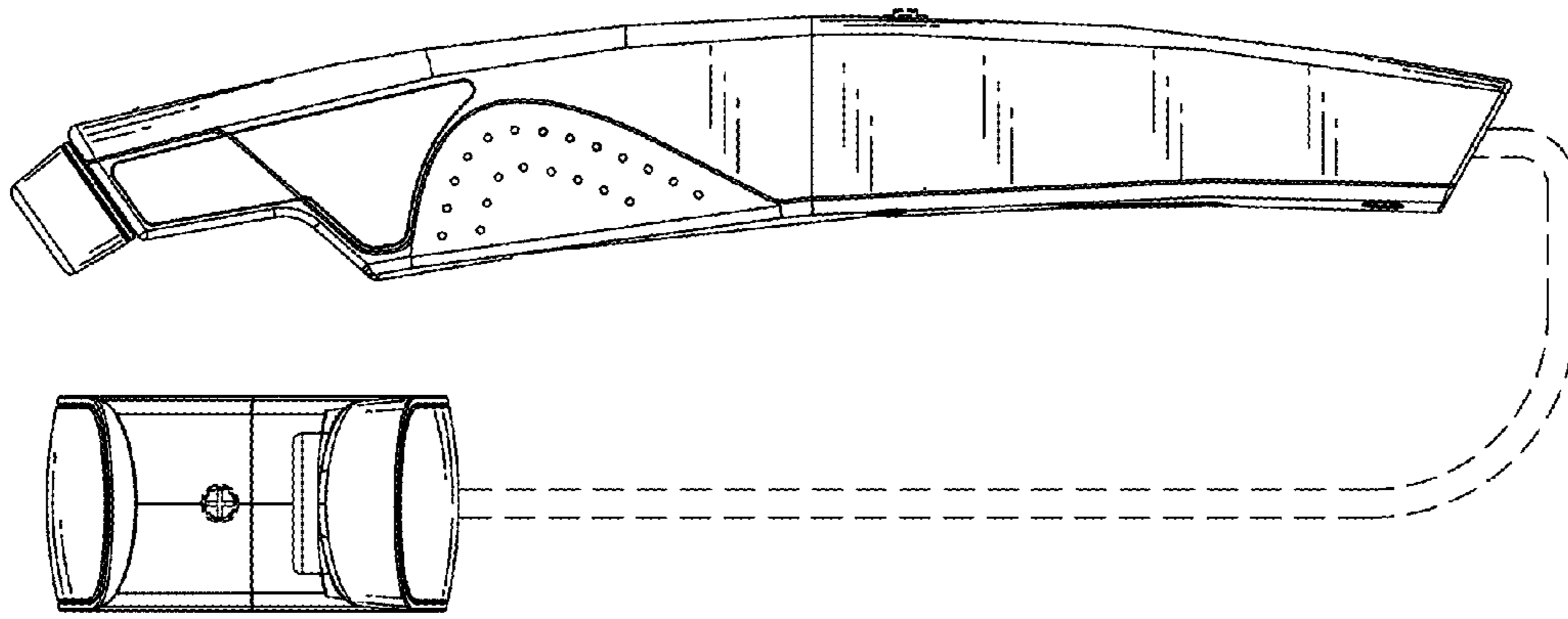


FIG.2

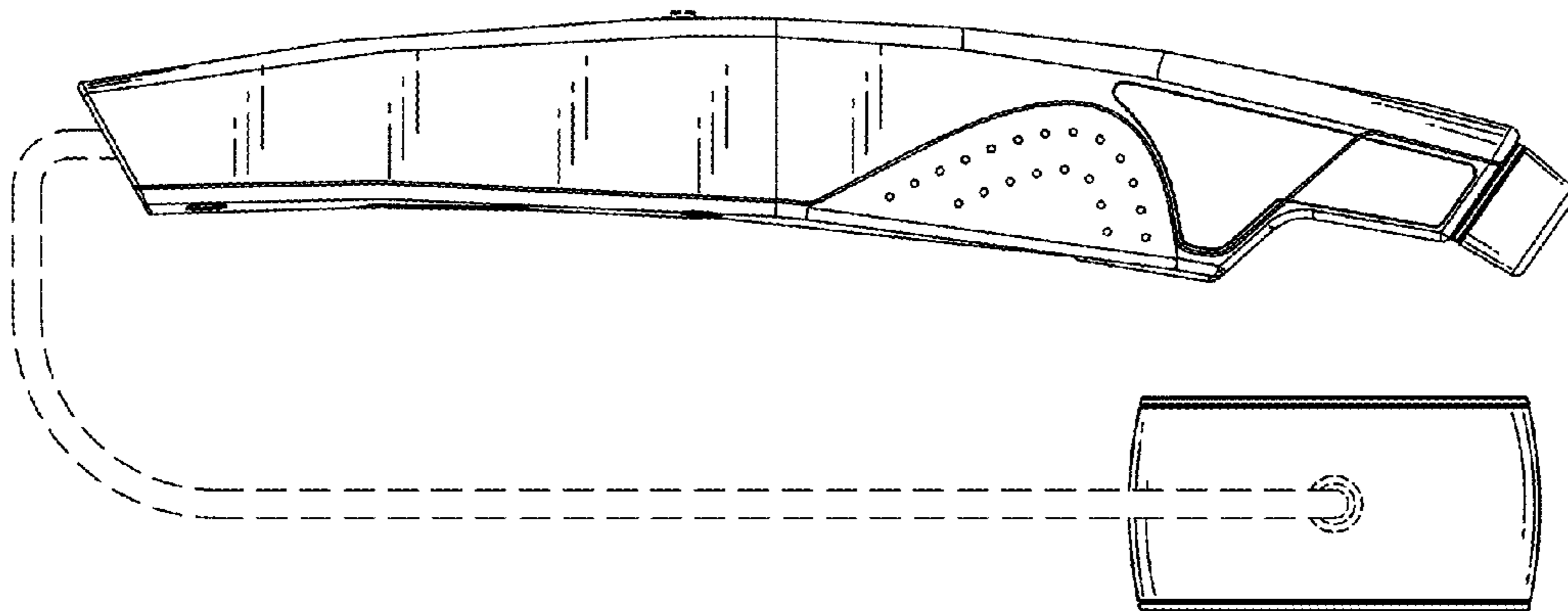


FIG.3

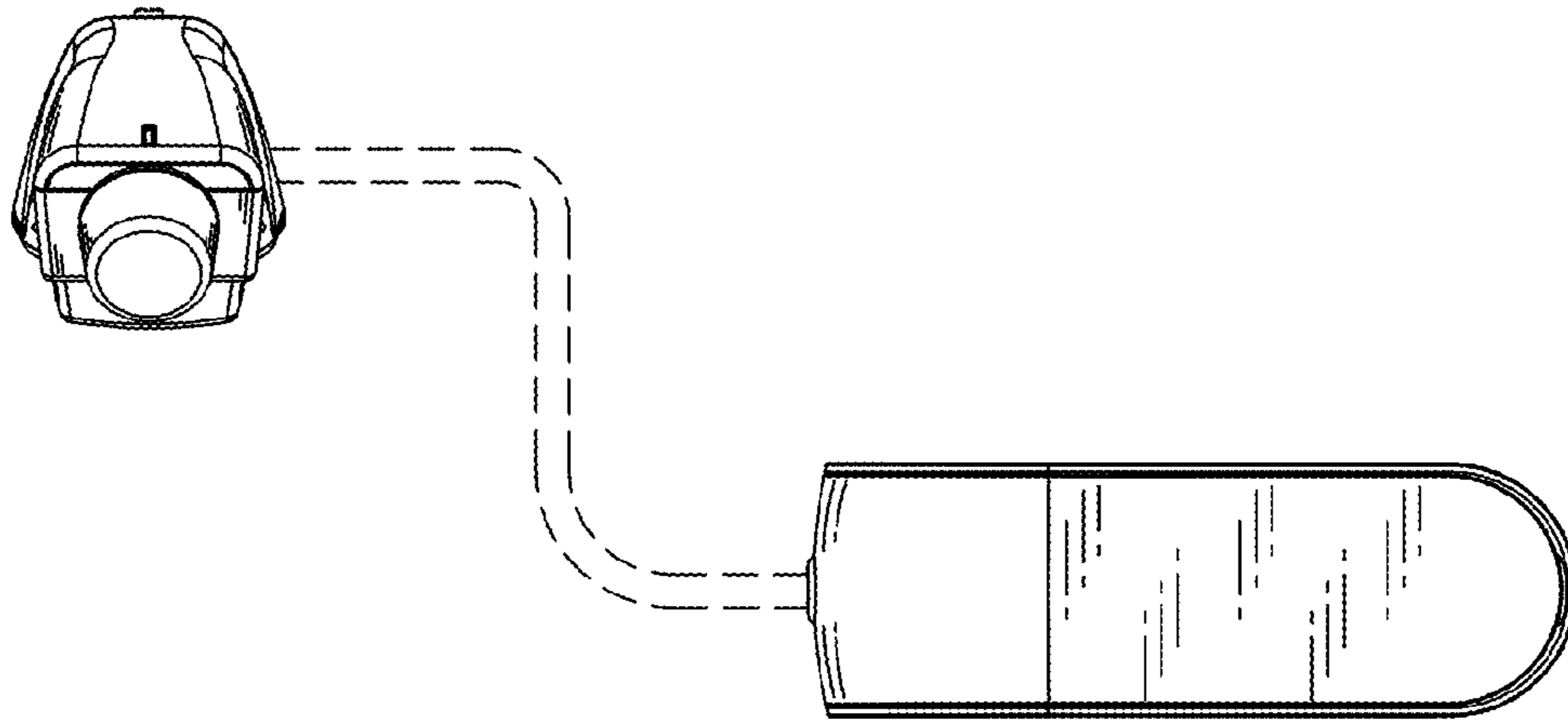


FIG. 4

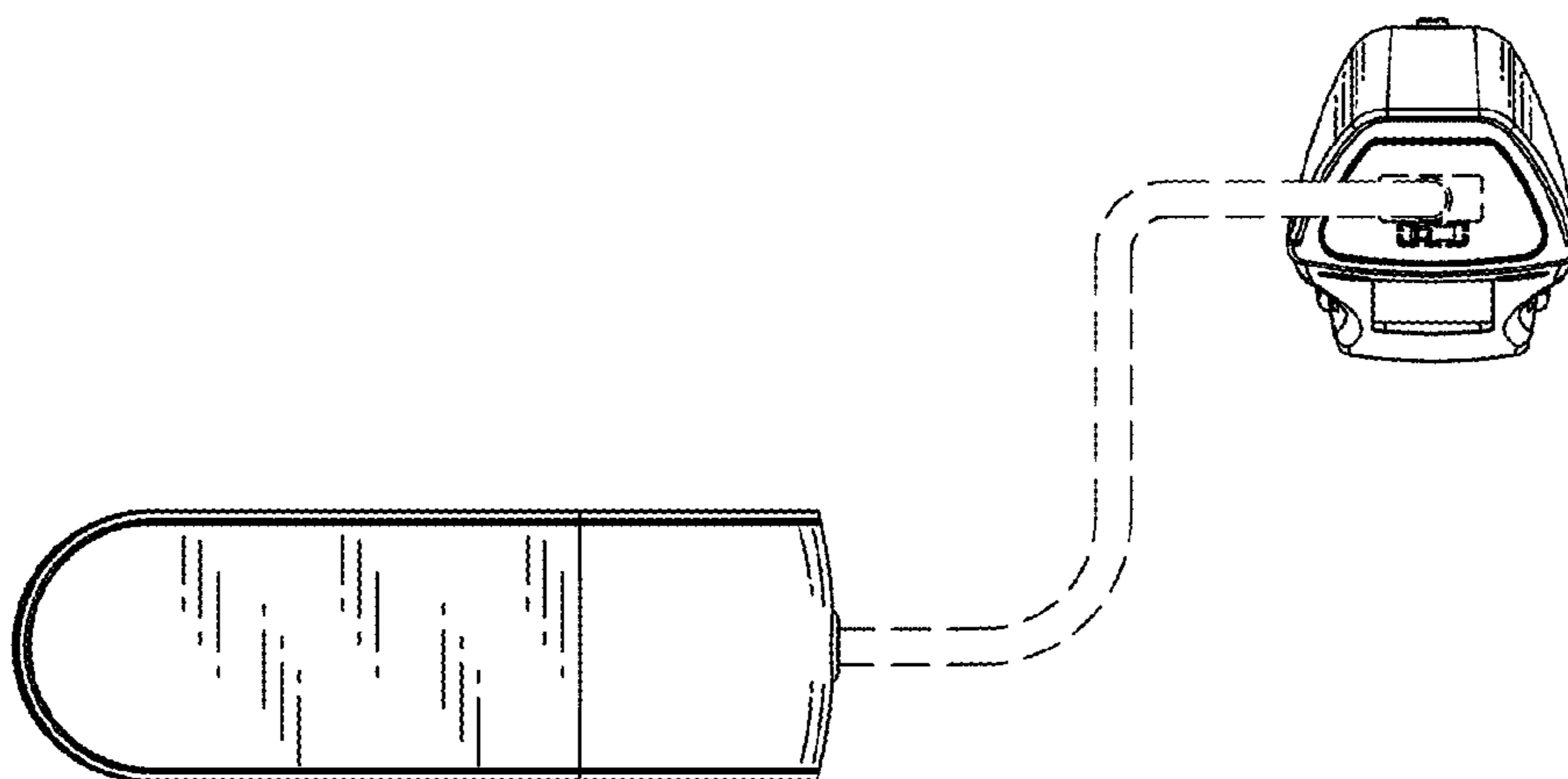


FIG. 5

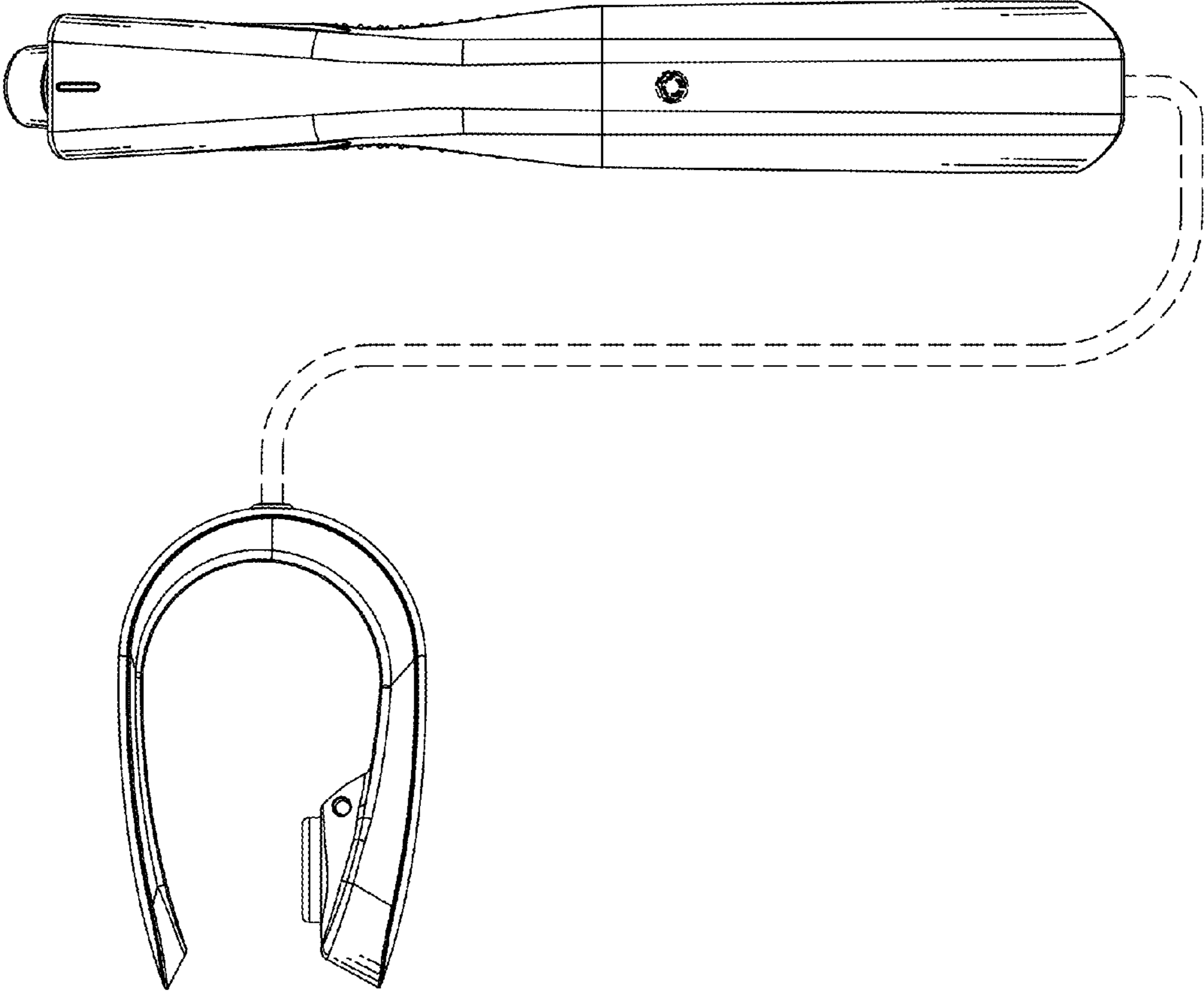


FIG.6

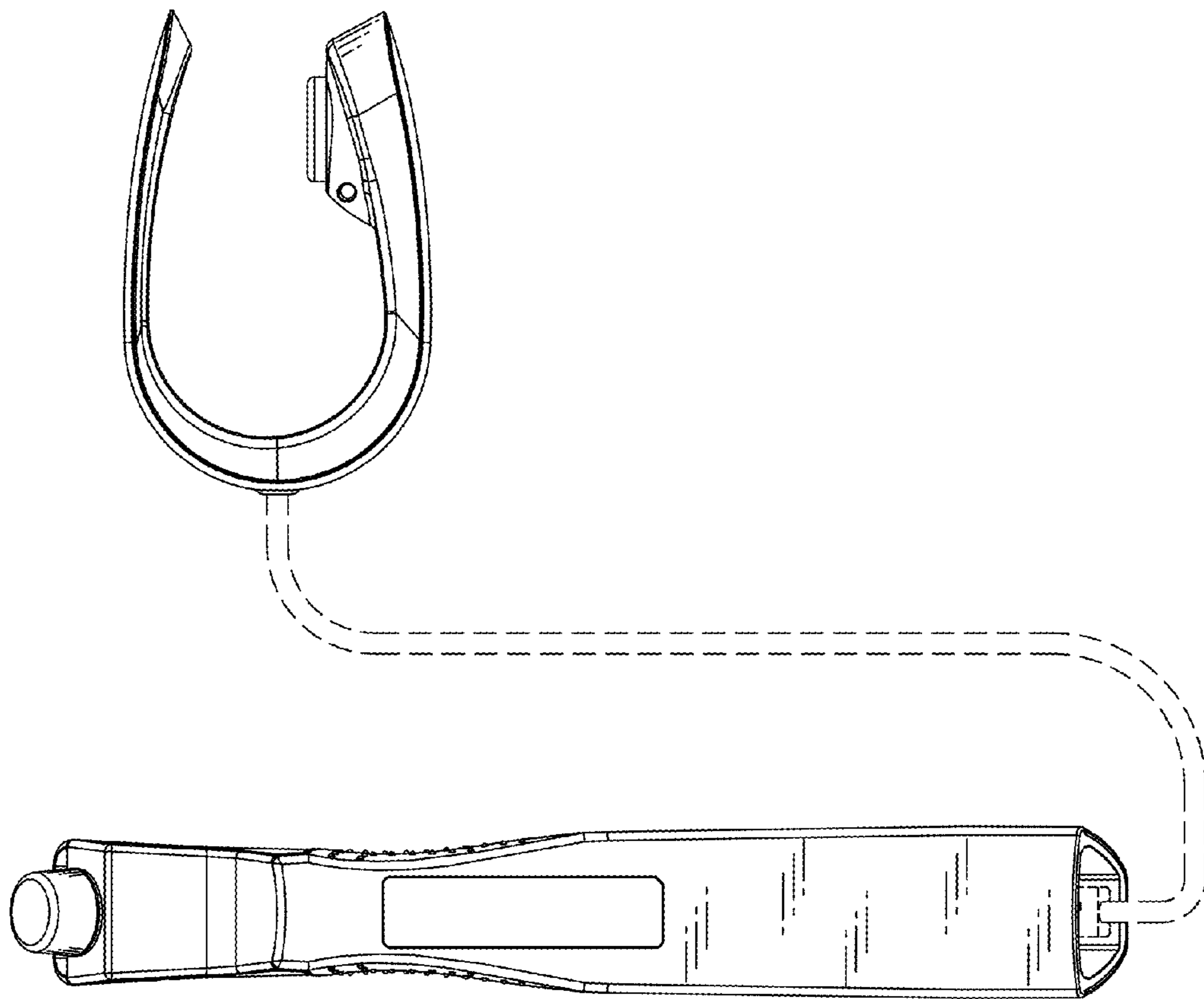


FIG.7