



US00D745165S

(12) **United States Design Patent**
McGinley

(10) **Patent No.:** **US D745,165 S**

(45) **Date of Patent:** **** Dec. 8, 2015**

(54) **MEDICAL IMAGING FIXTURE**

(71) Applicant: **Joseph McGinley**, Casper, WY (US)

(72) Inventor: **Joseph McGinley**, Casper, WY (US)

(73) Assignee: **Joseph McGinley**, Casper, WY (US)

(**) Term: **14 Years**

(21) Appl. No.: **29/522,378**

(22) Filed: **Mar. 30, 2015**

(51) **LOC (10) Cl.** **24-01**

(52) **U.S. Cl.**
USPC **D24/159**

(58) **Field of Classification Search**
USPC D24/158–161, 183–185; D6/691.4;
378/4, 21–27, 38, 40, 62, 68, 102,
378/196–198, 209; 600/410, 422; 5/601,
5/607, 608
CPC . A61B 6/0407; A61B 6/0457; A61G 2210/50
See application file for complete search history.

(56) **References Cited**

U.S. PATENT DOCUMENTS

6,101,956	A	*	8/2000	Keil	5/611
D441,866	S	*	5/2001	Marchesi	D24/159
D547,870	S	*	7/2007	Lenfant et al.	D24/159
D569,977	S	*	5/2008	Luginbuhl et al.	D24/159
D609,811	S	*	2/2010	Yokoyama et al.	D24/159
D663,428	S	*	7/2012	Goransson et al.	D24/184

D669,990	S	*	10/2012	Degruytere	D24/158
D683,024	S	*	5/2013	Baba	D24/158
D706,426	S	*	6/2014	Crow et al.	D24/183
2007/0245977	A1	*	10/2007	Keil	119/753

* cited by examiner

Primary Examiner — Anhdao Doan

(74) *Attorney, Agent, or Firm* — Marsh Fischmann & Breyfogle LLP

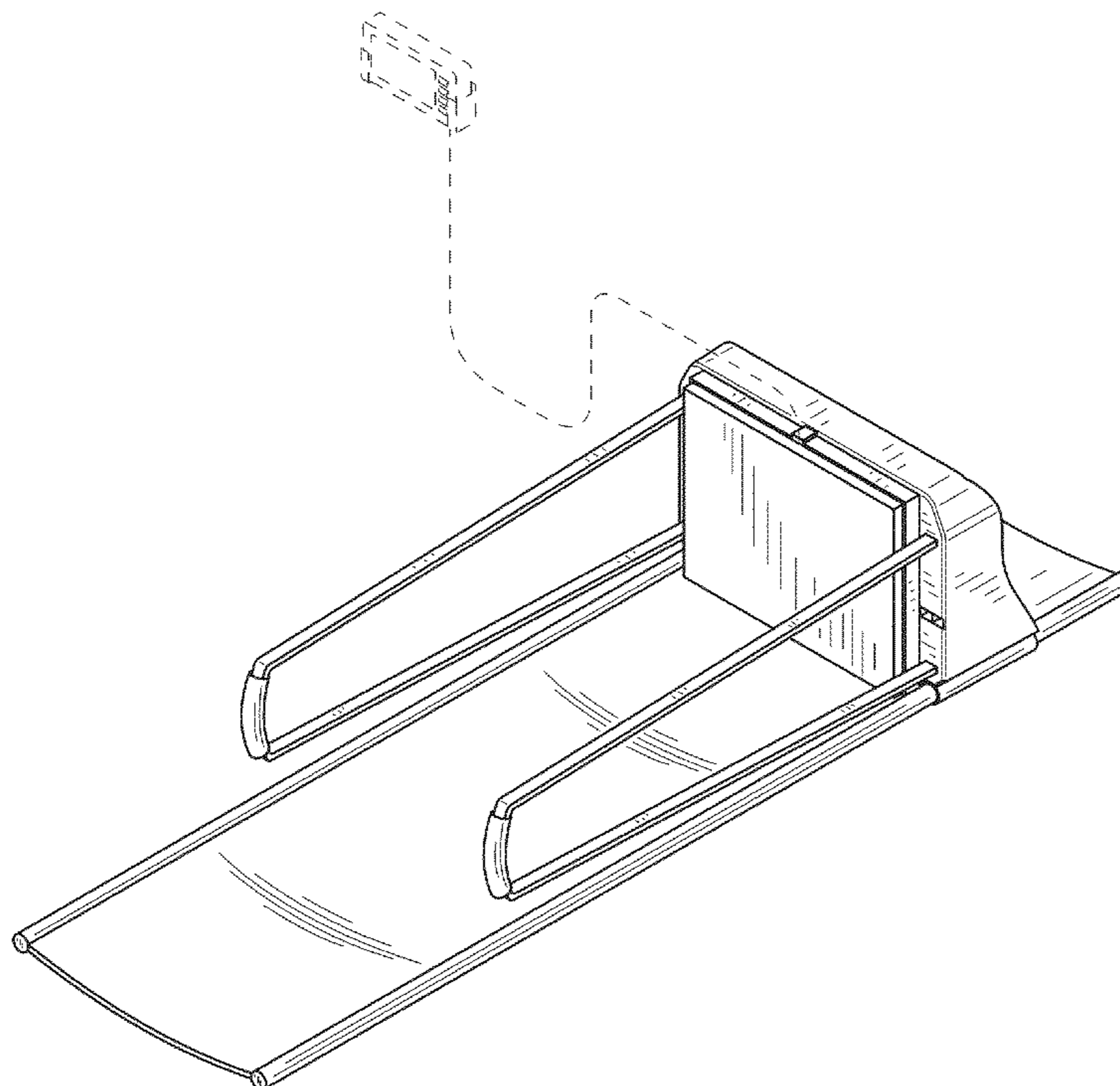
(57) **CLAIM**

The ornamental design for a medical imaging fixture, as shown and described.

DESCRIPTION

FIG. 1 is a front perspective view of a medical imaging fixture;
FIG. 2 is a right side view of the medical imaging fixture of FIG. 1;
FIG. 3 is a left side view of the medical imaging fixture of FIG. 1;
FIG. 4 is a front view of the medical imaging fixture of FIG. 1;
FIG. 5 is a back view of the medical imaging fixture of FIG. 1;
FIG. 6 is a top view of the medical imaging fixture of FIG. 1; and,
FIG. 7 is a bottom view of the medical imaging fixture of FIG. 1.
The broken lines in the drawing indicate environmental structure and form no part of the design to be patented.

1 Claim, 6 Drawing Sheets



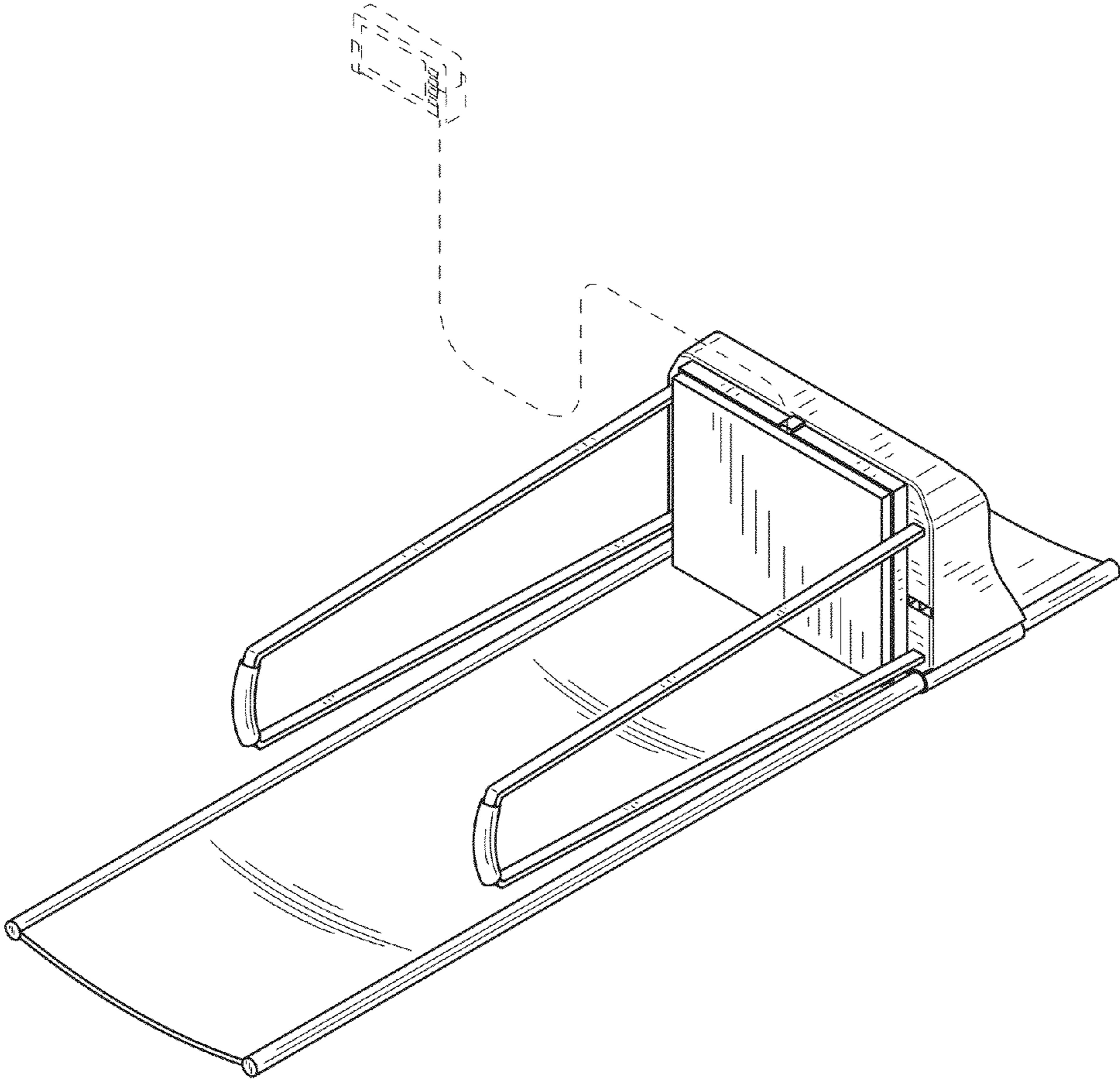


FIG.1

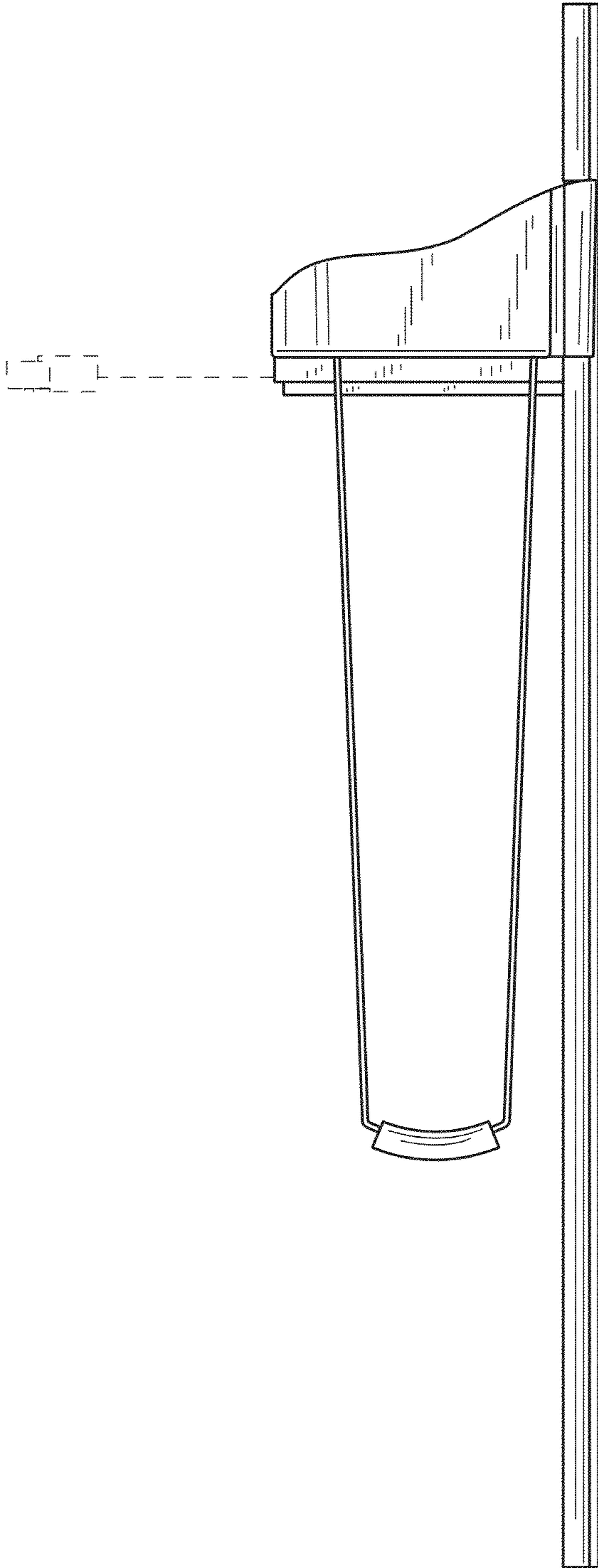


FIG.2



FIG.3

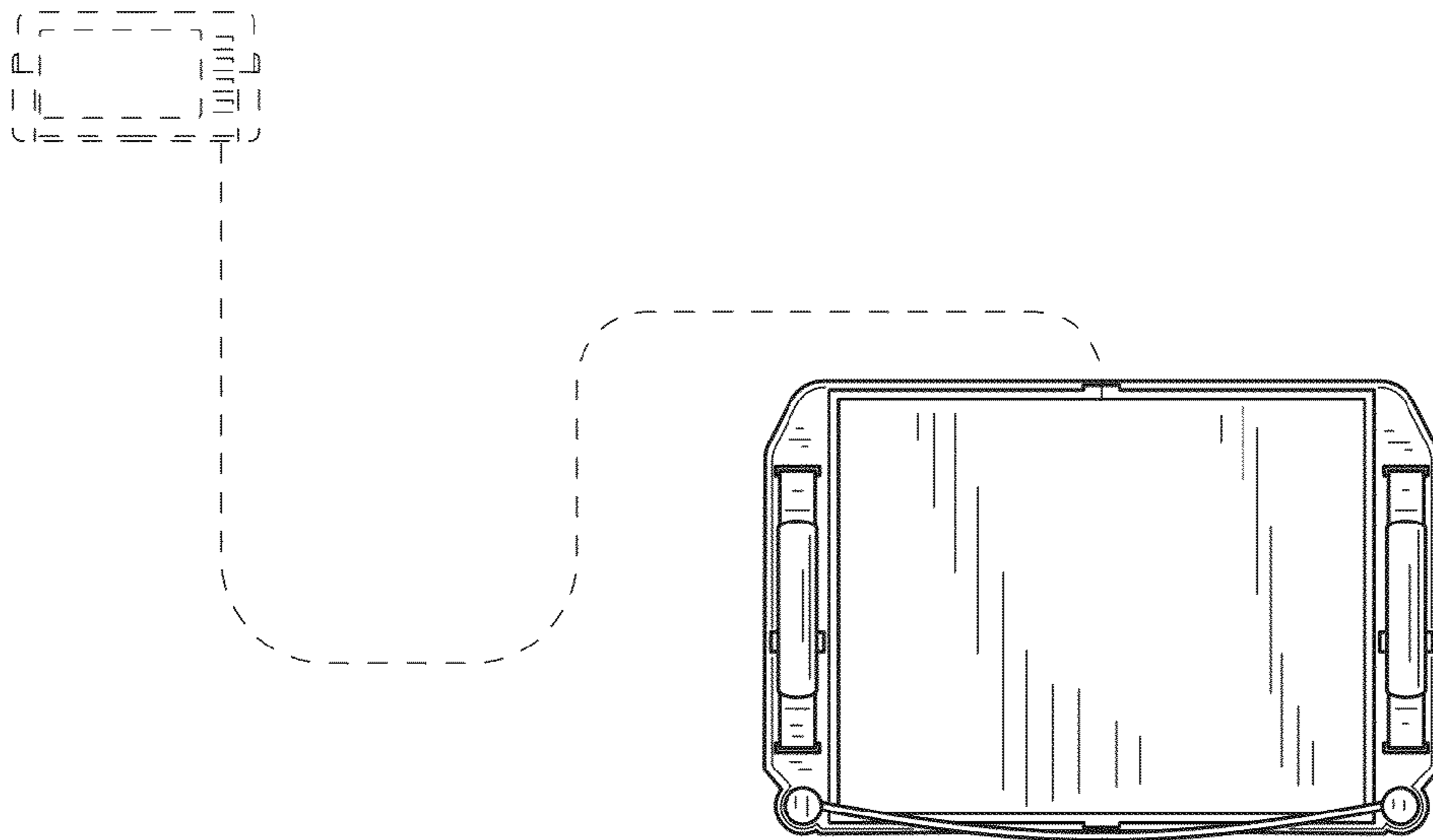


FIG. 4

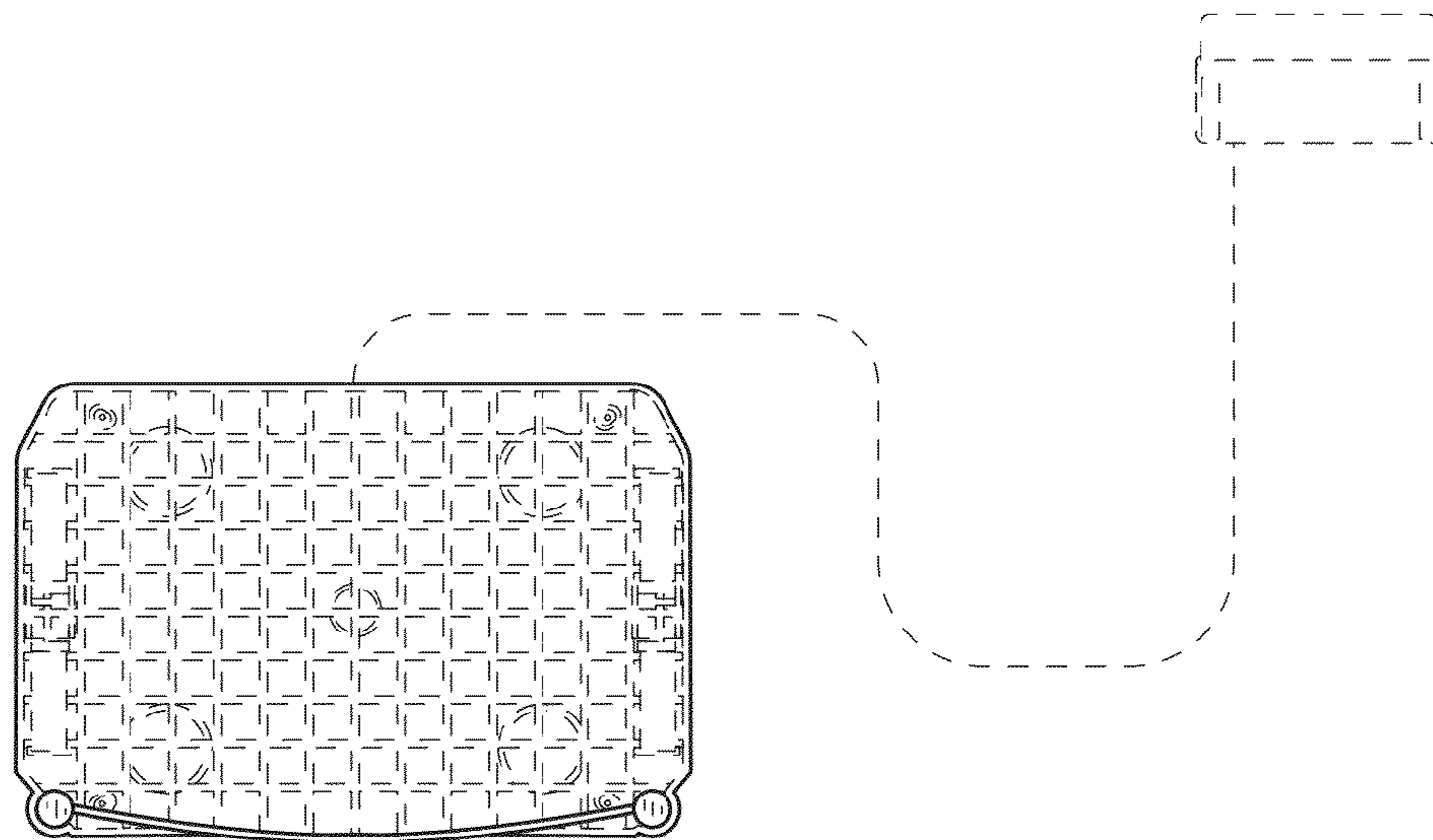


FIG. 5

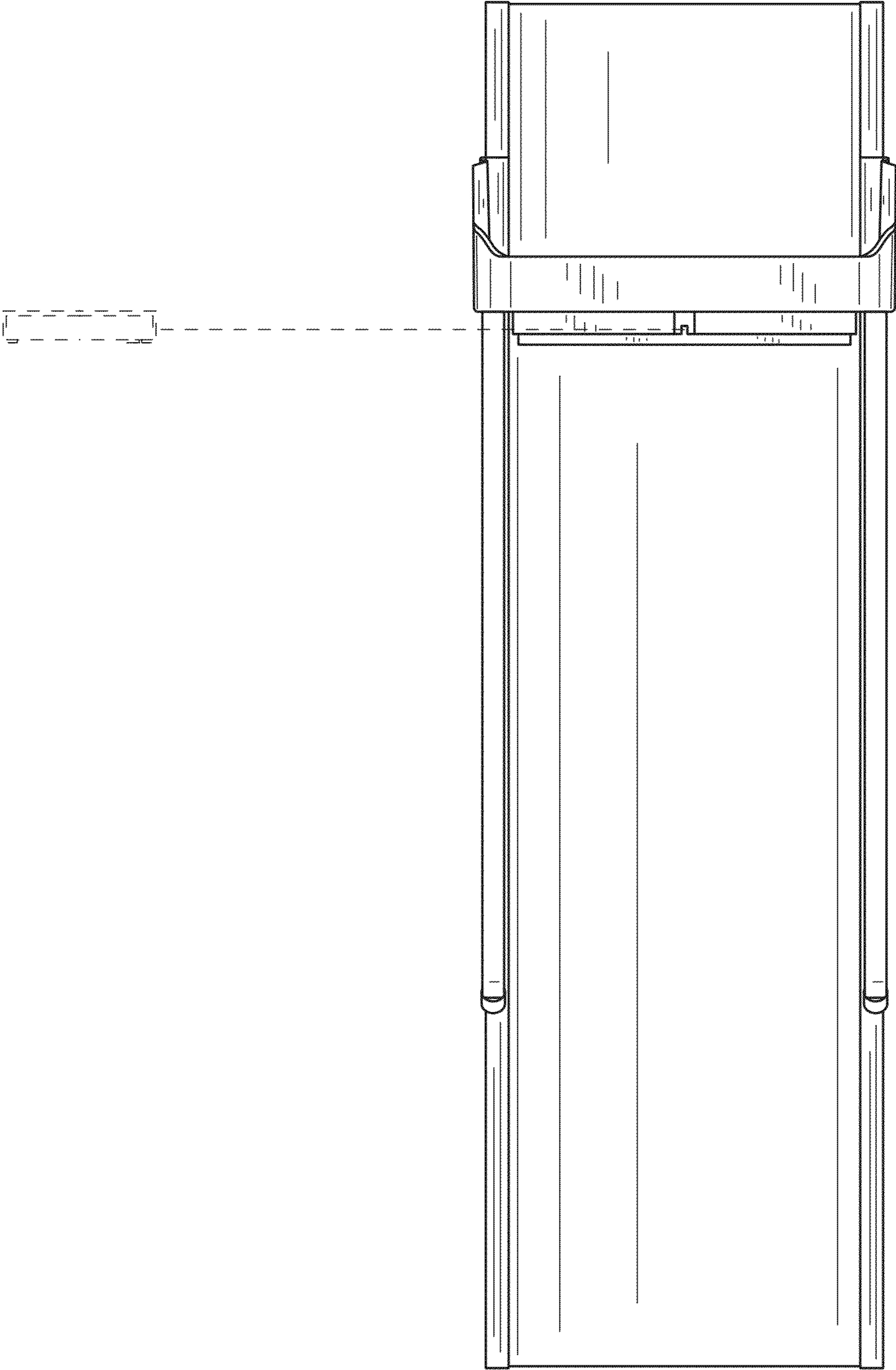


FIG.6

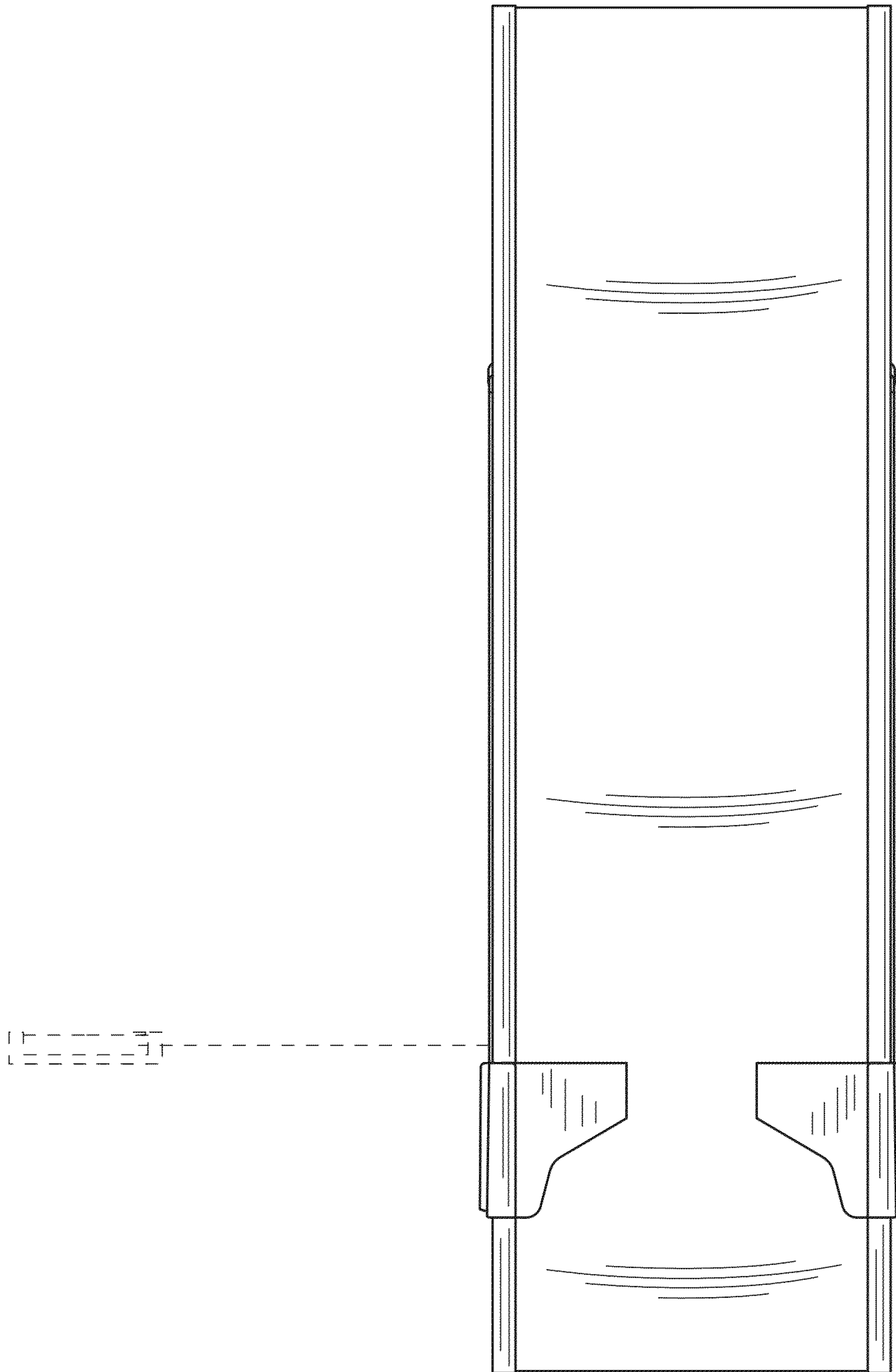


FIG.7