



US00D745162S

(12) **United States Design Patent**
Neufeld et al.

(10) **Patent No.:** **US D745,162 S**
(45) **Date of Patent:** **** Dec. 8, 2015**

(54) **BONE PLATE**

- (71) Applicant: **Merete Medical GmbH**, Berlin (DE)
- (72) Inventors: **Steven Neufeld**, Washington, DC (US);
Albert Austin, Glen Burnie, MD (US)
- (73) Assignee: **Merete Medical GmbH**, Berlin (DE)
- (**) Term: **14 Years**
- (21) Appl. No.: **29/503,011**
- (22) Filed: **Sep. 22, 2014**

Related U.S. Application Data

- (63) Continuation-in-part of application No. 14/165,149, filed on Jan. 27, 2014.
- (51) **LOC (10) Cl.** **24-02**
- (52) **U.S. Cl.**
USPC **D24/155**
- (58) **Field of Classification Search**
USPC D24/155-157; D15/143, 139
CPC A61B 17/8061; A61B 17/7059; A61B 17/8052; A61B 17/8605; A61B 17/8085; A61B 17/809; A61B 17/8014; A61B 17/8033; A61B 17/8004; A61B 17/888; A61B 17/842; A61B 17/8023; A61B 17/8009; A61B 17/86; A61B 17/1739; A61B 17/8066; A61B 17/1671; A61B 17/1757; A61B 17/8071; A61B 17/176; A61B 2017/1782; A61B 2017/1775

See application file for complete search history.

(56) **References Cited**

U.S. PATENT DOCUMENTS

- 2,662,988 A 12/1935 McKim
- 3,741,205 A 6/1973 Markolf et al.

(Continued)

FOREIGN PATENT DOCUMENTS

- AT 406446 5/2000
- DE 3113639 5/1982

(Continued)

OTHER PUBLICATIONS

International Search Report for PCT/DE2012/100248 dated Dec. 20, 2012.

(Continued)

Primary Examiner — Susan Bennett Hattan

Assistant Examiner — Charles Hanson

(74) *Attorney, Agent, or Firm* — Andrus Intellectual Property Law, LLP

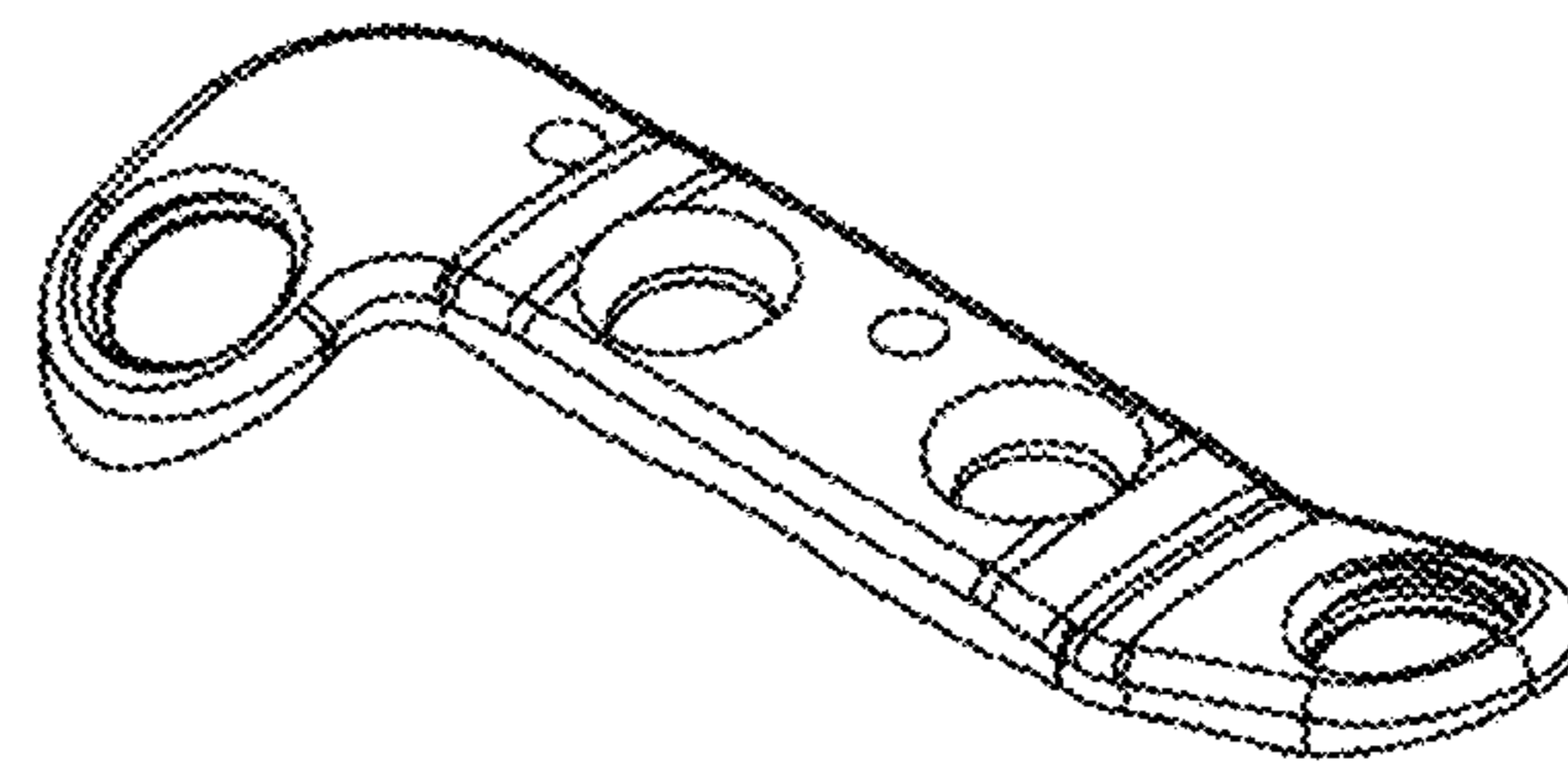
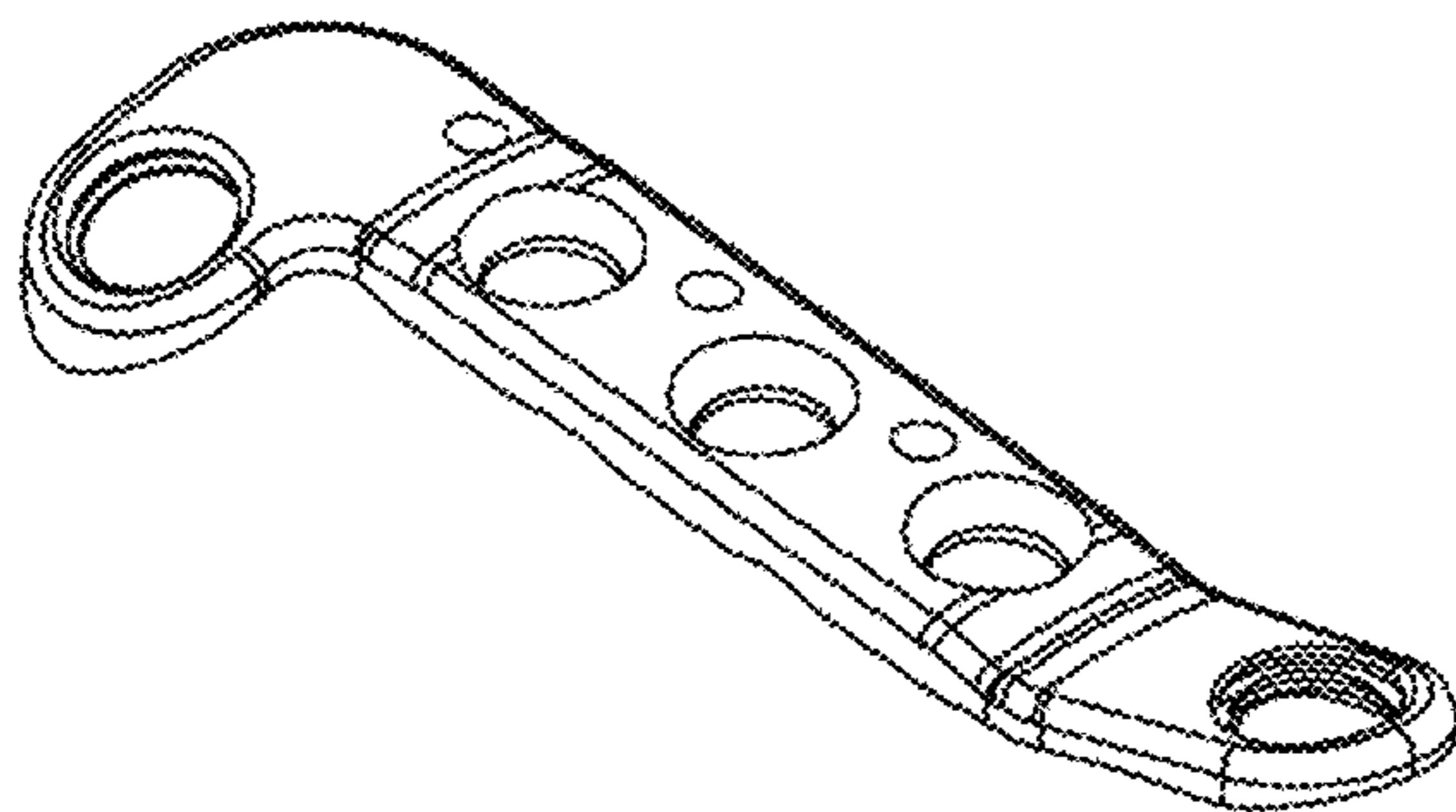
(57) **CLAIM**

The ornamental design for a bone plate, as shown and described.

DESCRIPTION

FIG. 1 is a top perspective view of a bone plate;
 FIG. 2 is a top view of the bone plate shown in FIG. 1;
 FIG. 3 is a bottom view of the bone plate shown in FIG. 2;
 FIG. 4 is a rear view of the bone plate shown in FIG. 2;
 FIG. 5 is a front view of the bone plate shown in FIG. 2;
 FIG. 6 is a left side view of the bone plate shown in FIG. 2;
 FIG. 7 is a right side view of the bone plate shown in FIG. 2;
 FIG. 8 is a top perspective view of another embodiment of the bone plate;
 FIG. 9 is a top view of the bone plate shown in FIG. 8;
 FIG. 10 is a bottom view of the bone plate shown in FIG. 9;
 FIG. 11 is a front view of the bone plate shown in FIG. 9;
 FIG. 12 is a rear view of the bone plate shown in FIG. 9;
 FIG. 13 is a left side view of the bone plate shown in FIG. 9;
 and,
 FIG. 14 is a right side view of the bone plate shown in FIG. 9.

1 Claim, 4 Drawing Sheets



(56)

References Cited

FOREIGN PATENT DOCUMENTS

U.S. PATENT DOCUMENTS

3,757,591	A	9/1973	Taylor	
4,408,601	A	10/1983	Wenk	
4,454,876	A	6/1984	Mears	
4,616,634	A	10/1986	Vargas Garcia	
4,720,225	A	1/1988	Burt	
4,903,691	A	2/1990	Heinl	
4,959,065	A	9/1990	Arnett et al.	
5,529,075	A	6/1996	Clark	
6,129,728	A	10/2000	Schumacher et al.	
6,203,545	B1	3/2001	Stoffella	
6,206,883	B1	3/2001	Tunc	
D449,692	S *	10/2001	Michelson	D24/155
6,306,140	B1	10/2001	Siddiqui	
6,398,783	B1	6/2002	Michelson	
6,423,068	B1	7/2002	Reisberg et al.	
6,669,701	B2	12/2003	Steiner et al.	
6,716,957	B2	4/2004	Tunc	
6,719,759	B2	4/2004	Wagner et al.	
6,730,091	B1	5/2004	Pfefferle et al.	
6,886,799	B2	5/2005	Yamanashi	
7,008,428	B2	3/2006	Cachia et al.	
7,220,263	B2 *	5/2007	Cordaro	606/70
7,354,441	B2	4/2008	Frigg	
7,468,069	B2	12/2008	Baynham et al.	
D603,504	S *	11/2009	Kriska et al.	D24/155
D603,506	S *	11/2009	Kriska et al.	D24/155
D603,507	S *	11/2009	Kriska et al.	D24/155
D603,961	S *	11/2009	Kriska et al.	D24/155
7,655,029	B2	2/2010	Niederberger et al.	
7,771,457	B2	8/2010	Kay et al.	
7,976,570	B2	7/2011	Wagner et al.	
8,118,848	B2	2/2012	Ducharme et al.	
8,246,661	B2	8/2012	Beutter et al.	
8,632,545	B2	1/2014	Sarangapani et al.	
2002/0045897	A1	4/2002	Dixon et al.	
2002/0045901	A1	4/2002	Wagner et al.	
2002/0183752	A1	12/2002	Steiner et al.	
2003/0078668	A1	4/2003	Michelson	
2004/0018228	A1	1/2004	Fischell et al.	
2004/0034356	A1	2/2004	LeHuec et al.	
2004/0073218	A1	4/2004	Dahners	
2004/0102778	A1	5/2004	Huebner et al.	
2004/0167522	A1	8/2004	Niederberger et al.	
2004/0215192	A1	10/2004	Justis et al.	
2004/0236332	A1	11/2004	Frigg	
2005/0015092	A1	1/2005	Rathbun et al.	
2005/0049594	A1	3/2005	Wack et al.	
2005/0065521	A1	3/2005	Steger et al.	
2005/0085818	A1	4/2005	Huebner	
2005/0124994	A1	6/2005	Berger et al.	
2005/0165400	A1	7/2005	Fernandez	
2005/0165401	A1	7/2005	Pack	
2005/0182408	A1	8/2005	Pfefferle et al.	
2005/0192577	A1	9/2005	Mosca et al.	
2005/0261688	A1	11/2005	Grady, Jr. et al.	
2006/0015102	A1	1/2006	Toullec et al.	
2006/0173458	A1	8/2006	Forstein et al.	
2006/0235396	A1	10/2006	Sanders et al.	
2006/0241607	A1	10/2006	Myerson et al.	
2007/0016205	A1	1/2007	Beutter et al.	
2007/0123885	A1	5/2007	Kirschman	
2007/0233106	A1	10/2007	Horan et al.	
2007/0276386	A1	11/2007	Gerlach et al.	
2008/0051786	A1	2/2008	Jensen	
2008/0132955	A1	6/2008	Frigg	
2008/0300637	A1	12/2008	Austin et al.	
2009/0024172	A1	1/2009	Pizzicara	
2009/0210010	A1	8/2009	Strnad et al.	
2010/0256687	A1	10/2010	Neufeld et al.	
2011/0295325	A1	12/2011	Wagner et al.	
2012/0265254	A1	10/2012	Horan et al.	
2013/0190829	A1	7/2013	Batsch et al.	

DE	102005044841	3/2006
DE	102006000948	10/2006
DE	102005042766	1/2007
DE	102005043285	1/2007
DE	69835968	5/2007
DE	102010025001	12/2011
EP	0243114	10/1987
EP	1158916	7/2004
EP	1158915	9/2004
EP	1468655	10/2004
EP	1255498	11/2005
EP	1897509	3/2008
EP	1702577	11/2008
EP	2016918	1/2009
EP	1677693	4/2009
FR	2667913	4/1992
FR	2739151	3/1997
FR	2886535	12/2006
WO	9709000	3/1997
WO	9829058	7/1998
WO	0154601	8/2001
WO	02096309	12/2002
WO	2005041796	5/2005
WO	2005053111	6/2005
WO	2006014436	2/2006
WO	2007025520	3/2007
WO	0053110	9/2009
WO	2010059497	5/2010
WO	2011163092	12/2011
WO	2012000627	1/2012

OTHER PUBLICATIONS

Partial International Search Report for PCT/IB2014/001111 dated Sep. 16, 2014.

International Search Report for PCT/DE2010/075167, mailed Apr. 15, 2011.

Acevedo, Jorge I, Sammarco, V. James, Boucher, Henry R., Parks, Bert G., Schon, Lew C., Myerson, Mark S; Mechanical Comparison of Cyclic Loading in Five Different First Metatarsal Shaft Osteotomies; Foot & Ankle International, Aug. 2002; vol. 23, No. 8, pp. 711-716.

Cisar, J., Holz, U, Jenninger, w., Uhlig. Chr.; Die Osteotomie nach Ludloff bei der Hallux-valgus-Operation; Aktuelle Traumatol. 13; 1983; pp. 247-249.

Hyer, Christopher F., Glover, Jason P., Berlet, Gregory C., Philbin, Terrence, M, Lee, Thomas H.; A Comparison of the Crescentic and Mau Osteotomies for Correction of Hallux Valgus; Journal of Foot and Ankle Surgery; Mar./Apr. 2008; vol. 47, No. 2.; pp. 103-111.

Ludloff, Prof. Dr. K.; Die Beseitigung des Hallux valgus durch die schräge planta-dorsale Osteotomie des Metatarsus I.; Arch. Klin. Chir.; 110:364-387; 1918.

Mau, C., Lauber, H.J.; Die operative Behandlung des Hallux valgus (Nachuntersuchungen); 1926, 197:361-377.

Sammarco, V. James; Surgical Strategies: Mau Osteotomy for Correction of Moderate and Severe Hallux Valgus Deformity; Foot & Ankle International; Jul. 2007; 28(7); pp. 857-864.

Saxena, Amol, McCammon, Derek; The Ludloff Osteotomy: A Critical Analysis; Journal of Foot and Ankle Surgery; 1997; vol. 36, No. 2, pp. 100-105.

Trnka, H.-J., Hofstaetter, S.G., Hofstaetter, J.G., Gruber, F., Adams Jr., S.B., Easley, M.E.; Intermediate-Term Results of the Ludloff Osteotomy in One Hundred and Eleven Feet; The Journal of Bone and Joint Surgery; Mar. 2008; vol. 90-A(3); pp. 531-539.

International Search Report for PCT/2006/001508, mailed Feb. 8, 2007.

"Orthopaedic Product News", Aug. 2005, Retrieved from the Internet: URL:http://www.orthoworld.com/us_opn-2005-08.pdf [retrieved on May 26, 2009], p. 30, Hallux Valgus Correction with a Low Profile Locking Plate.

Easley, Mark E., M.D., et al., Current Concepts Review: Hallux Valgus Part II: Operative Treatment, Foot & Ankle International, vol. 28/ No. 6, 748-758 (Jun. 2007).

(56)

References Cited

OTHER PUBLICATIONS

Iselin, Lukas D. et al., Operative Management of Common Forefoot Deformities A Representative Survey of Australian Orthopaedic Surgeons, *Foot & Ankle Specialist*, vol. X/ No. X, 1-7 (2012).

Miller, Michael J., DMP et al., Inverted Z-scarf Osteotomy for Hallux Valgus Deformity Correction: Intermediate-term Results in 55 Patients, *The Journal of Foot and Ankle Surgery*, 50: 55-61 (2011).

Dereymaeker, Greta, MD, PhD, Scarf Osteotomy for Correction of Hallux Valgus—Surgical Technique and Results as Compared to Distal Chevron Osteotomy, *The Hallux*, vol. 5/ No. 3, 513-523 (Sep. 2000).

Steck, Jerome K, DPM, Long Z-Osteotomy: A Review and New Modification to Correct Troughing, *The Journal of Foot and Ankle Surgery*, vol. 40/ No. 5, 305-310 (Sep./Oct. 2001).

Adam, Stephanie P., DO et al., Outcomes after Scarf Osteotomy for Treatment of Adult Hallux Valgus Deformity, *Clinical Orthopaedics and Related Research*, 469: 854-859 (2011).

Trnka, Hans-Jorg, MD et al., Six First Metatarsal Shaft Osteotomies—Mechanical and Immobilization Comparisons, *Clinical Orthopaedics and Related Research*, No. 381, 256-265 (Mar. 10, 2000).

Aminian, Arash, M.D. et al., Scarf Osteotomy for Hallux Valgus Deformity: An Intermediate Followup of Clinical and Radiographic Outcomes, *Foot & Ankle International*, vol. 27/ No. 11, 883-886 (Nov. 2006).

Weil, Lowell Scott, DPM, Scarf Osteotomy for Correction of Hallux Valgus—Historical Perspective, Surgical Technique, and Results, *The Hallux*, vol. 5/ No. 3, 559-580 (Sep. 2000).

Vienne, Patrick, M.D. et al, Comparative Mechanical Testing of Different Geometric Designs of Distal First Metatarsal Osteotomies, *Foot & Ankle International*, vol. 28/ No. 2, 232-236 (Feb. 2007).

Lipscombe, Stephen, MRCS et al, Scarf Osteotomy for the Correction of Hallux Valgus: Midterm Clinical Outcome, *The Journal of Foot and Ankle Surgery*, vol. 47/ No. 4, 273-277 (Jul./Aug. 2008).

Barouk, Louis Samuel, MD, Scarf Osteotomy for Hallux Valgus Correction—Local Anatomy, Surgical Technique, and Combination with Other Forefoot Procedures, *The Hallux*, vol. 5/ No. 3, 525-557 (Sep. 2000).

Crevoisier, Xavier et al., The Scarf Osteotomy for the Treatment of Hallux Valgus Deformity: A Review of 84 Cases, *Foot & Ankle International*, vol. 22/ No. 12, 970-976 (Dec. 2001).

Coetzee, J. Chris, M.D., Scarf Osteotomy for Hallux Valgus Repair: The Dark Side, *Foot & Ankle International*, vol. 24/ No. 1, 29-33 (Jan. 2003).

Interventional Procedures Programme—Interventional procedure overview of surgical correction of hallux valgus using minimal access techniques, National Institute for Health and Clinical Excellence, p. 1, 9.

Comparison of Preoperative to Postoperative Measurement at 6 Weeks, 1 and 2 Years Postoperative, Table 1.

O'Briain, David E. et al., Use of A Geometric Formula to Improve the Radiographic Correction Achieved by the Scarf Osteotomy, *Foot & Ankle International*, vol. 33/ No. 8, 647-654 (Aug. 2012).

* cited by examiner

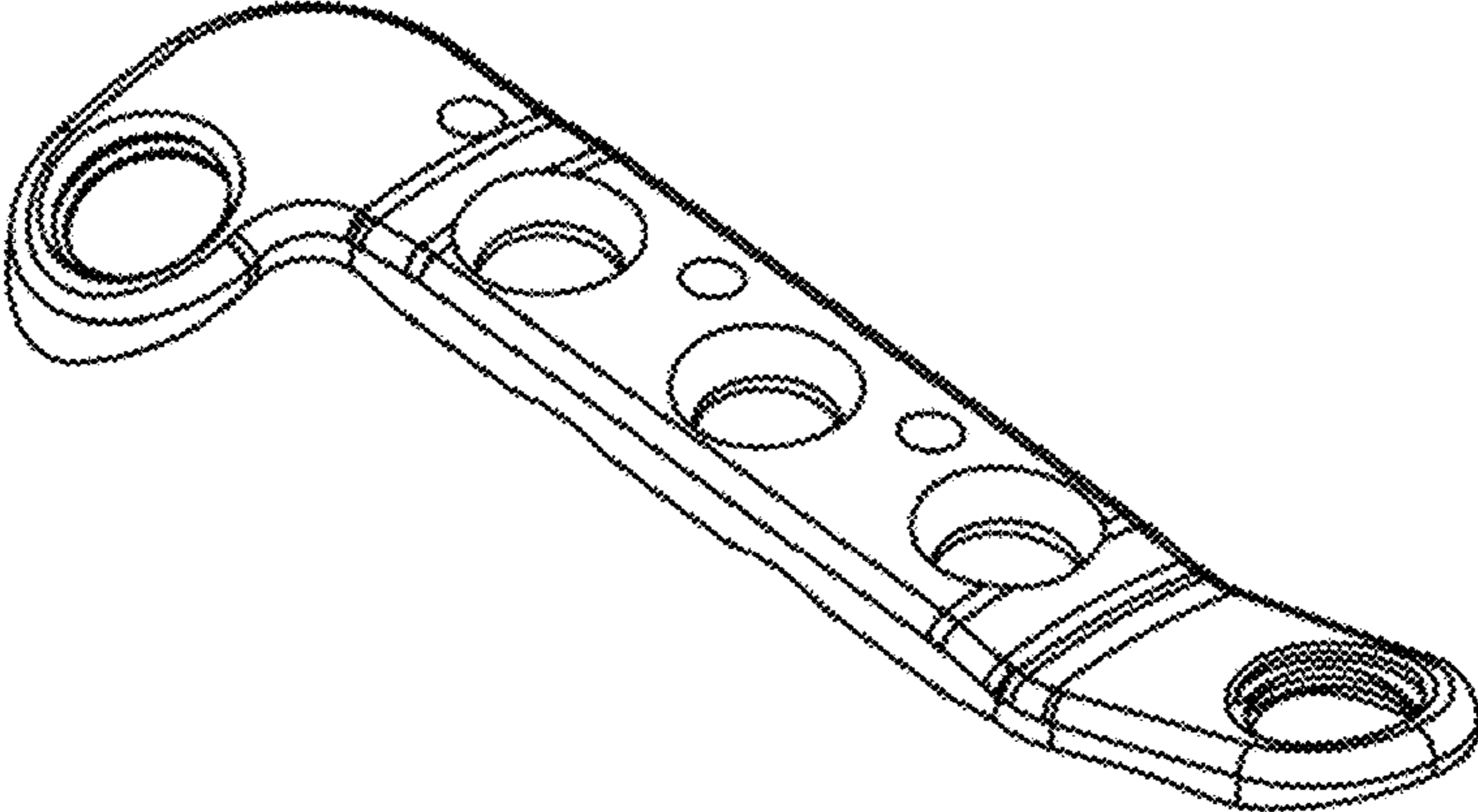


FIG. 1

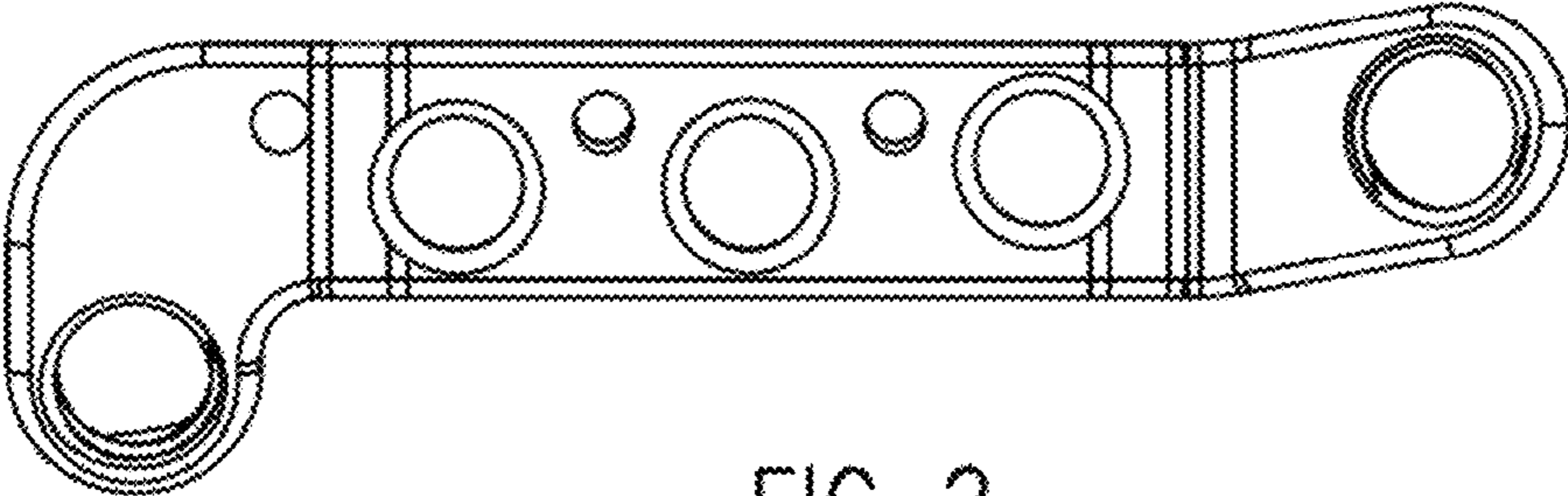


FIG. 2

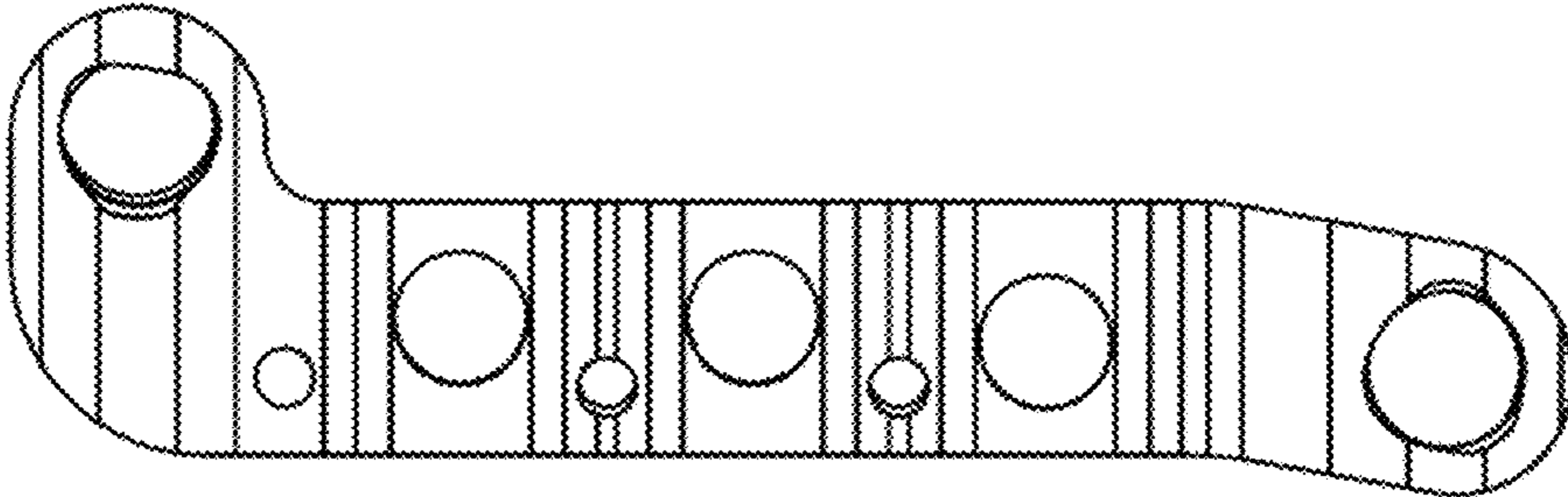


FIG. 3

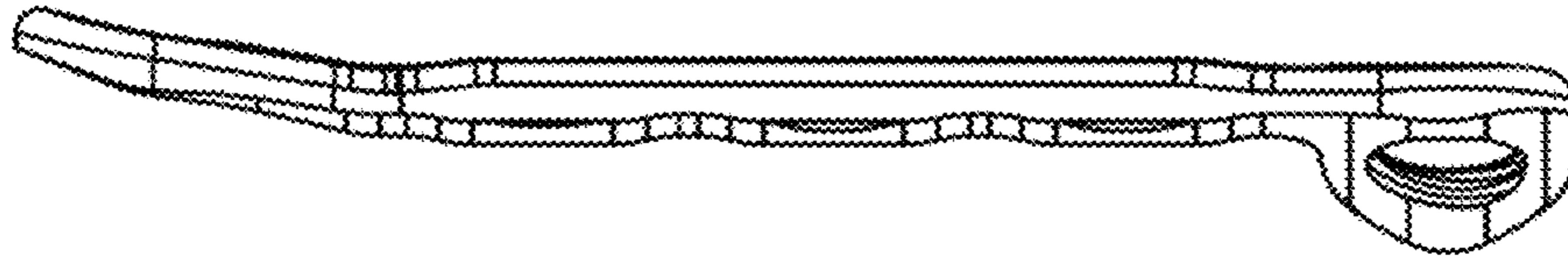


FIG. 4

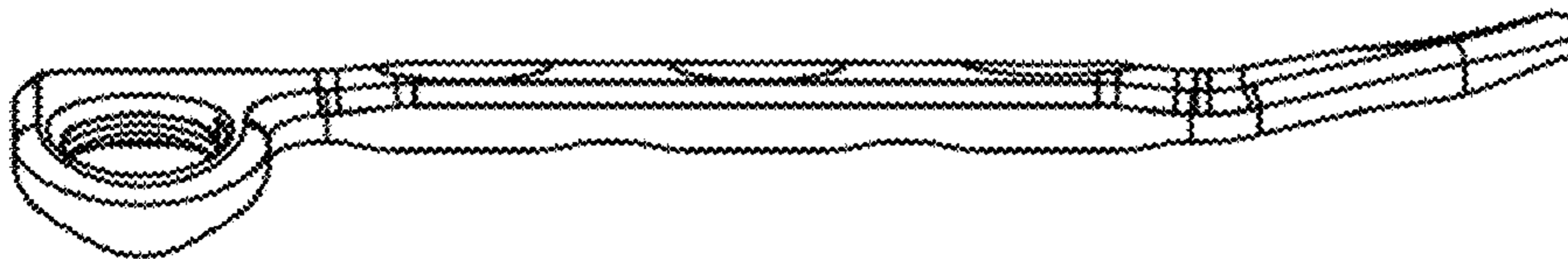


FIG. 5

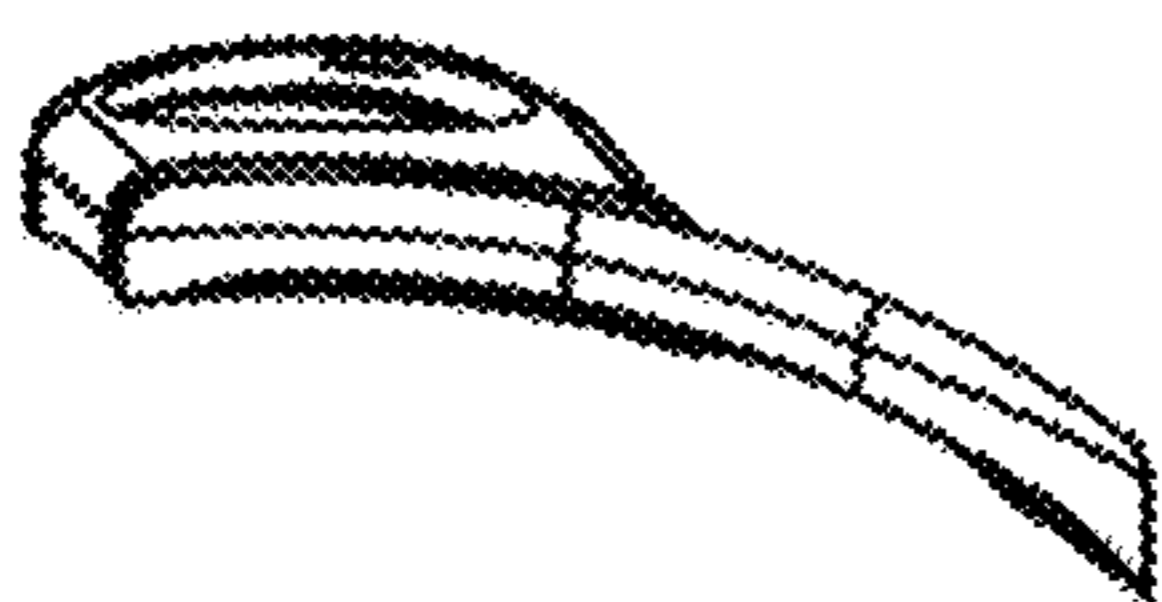


FIG. 6

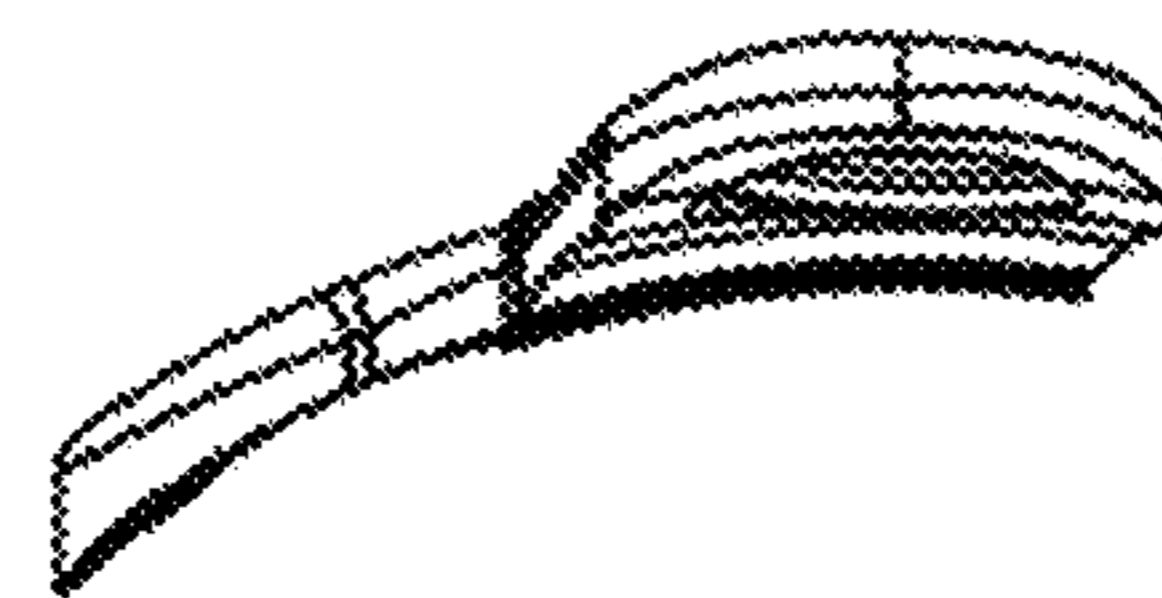


FIG. 7

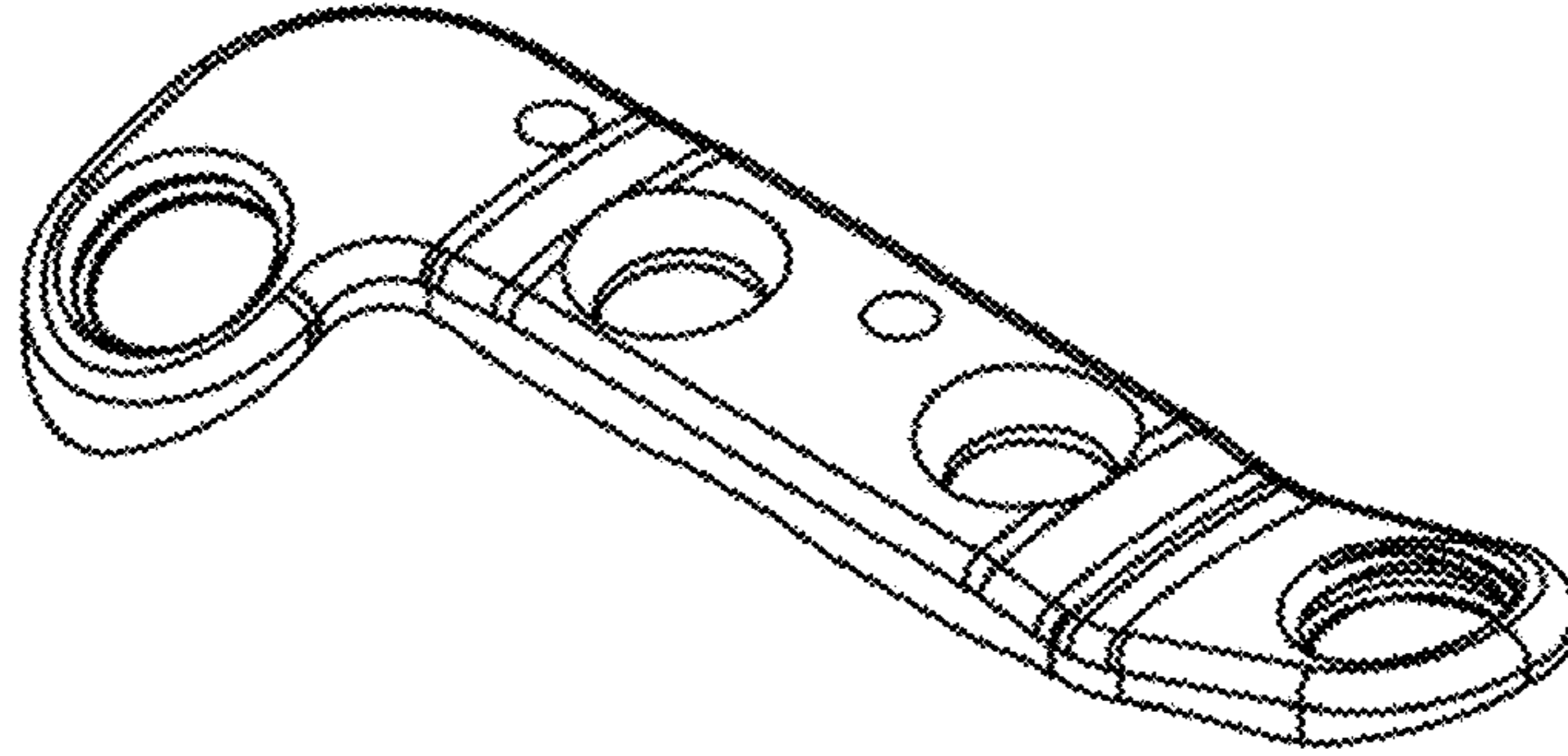


FIG. 8

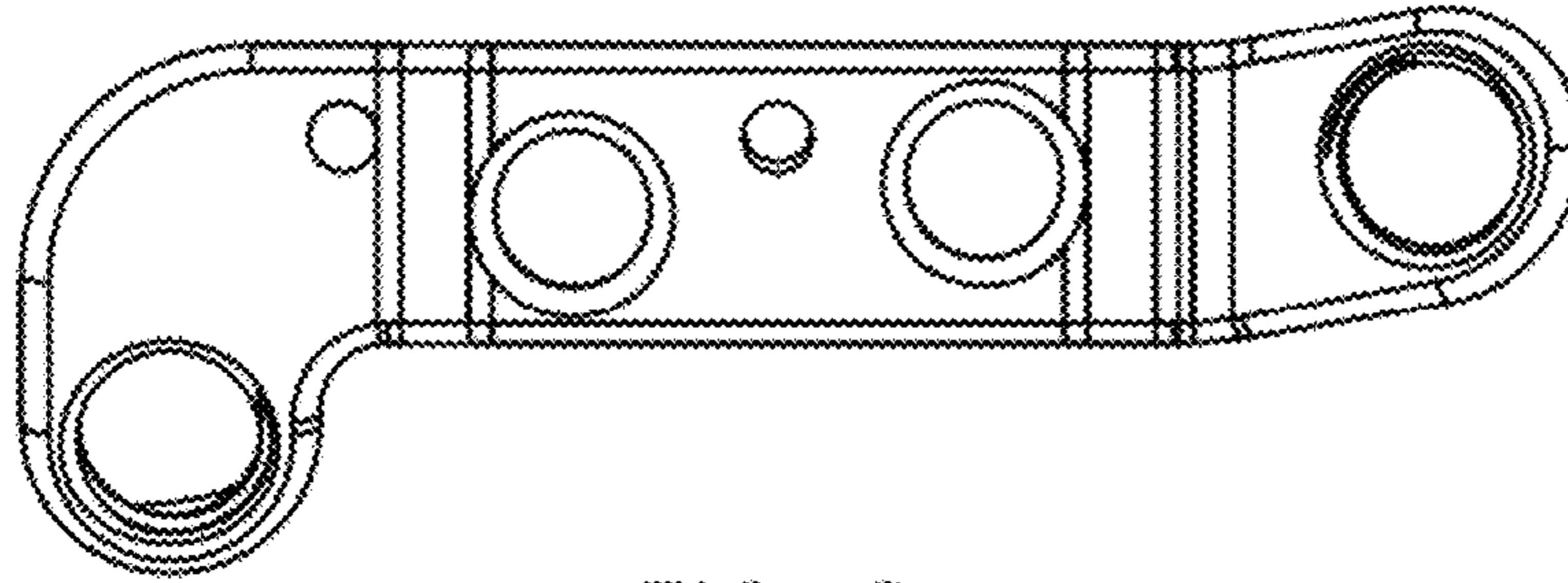


FIG. 9

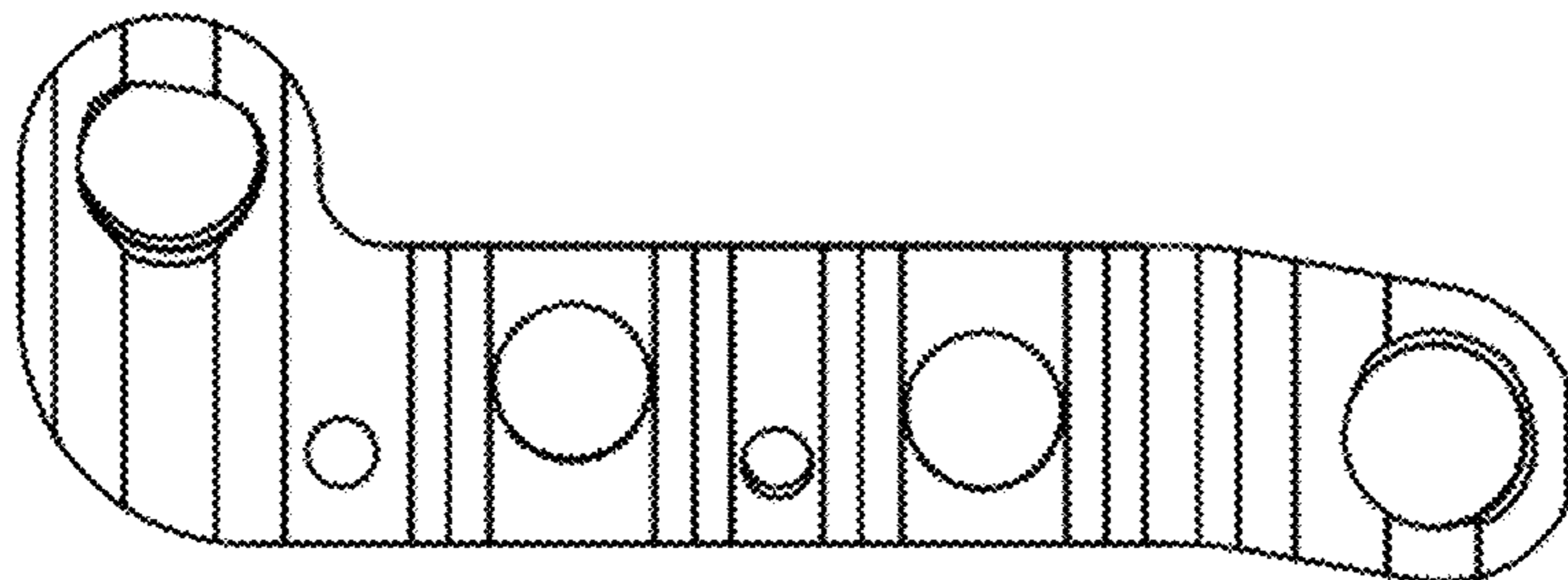


FIG. 10

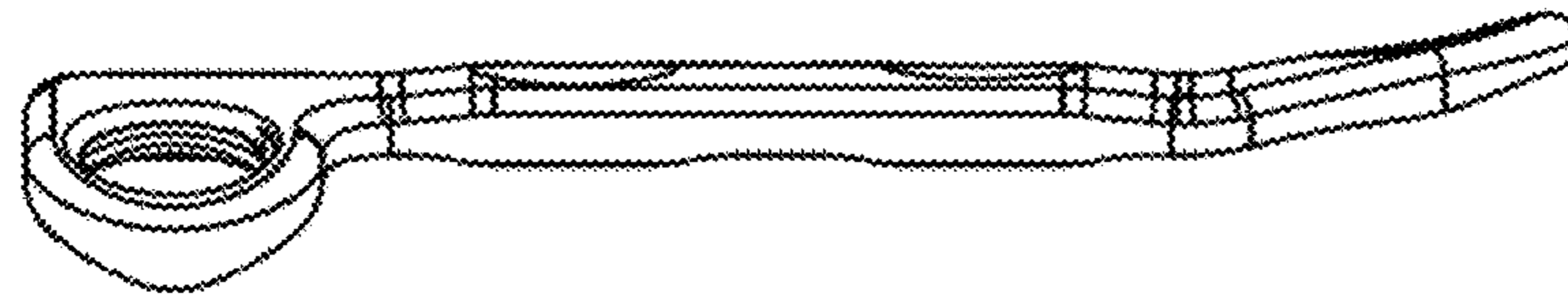


FIG. 11

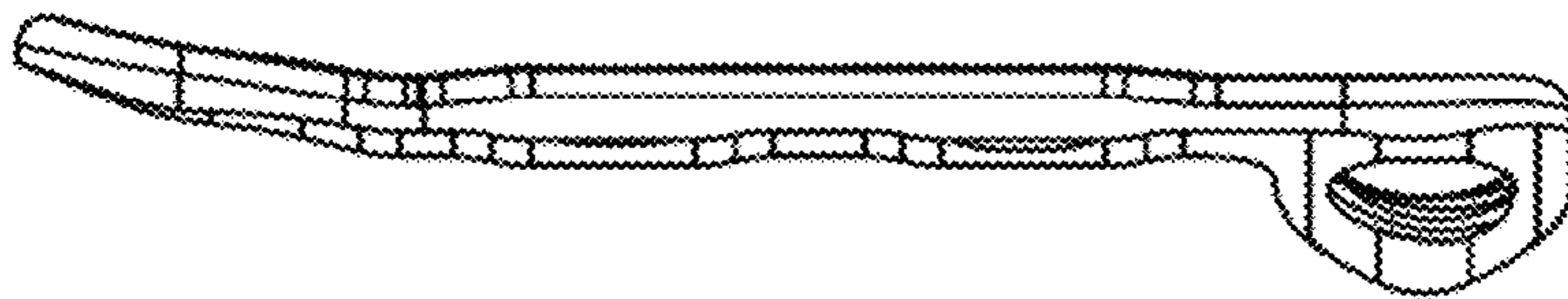


FIG. 12

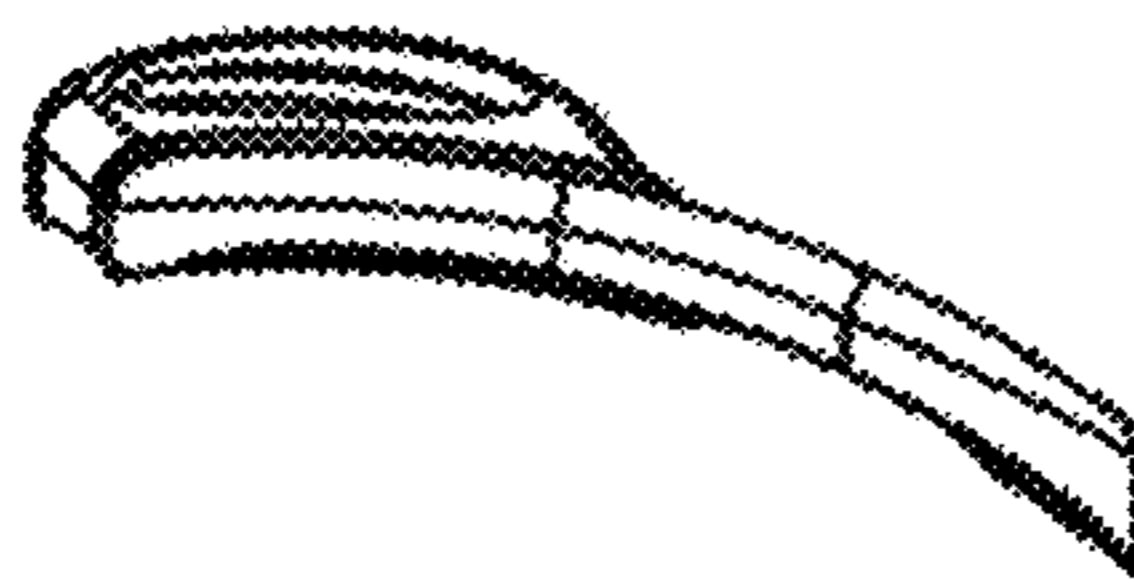


FIG. 13

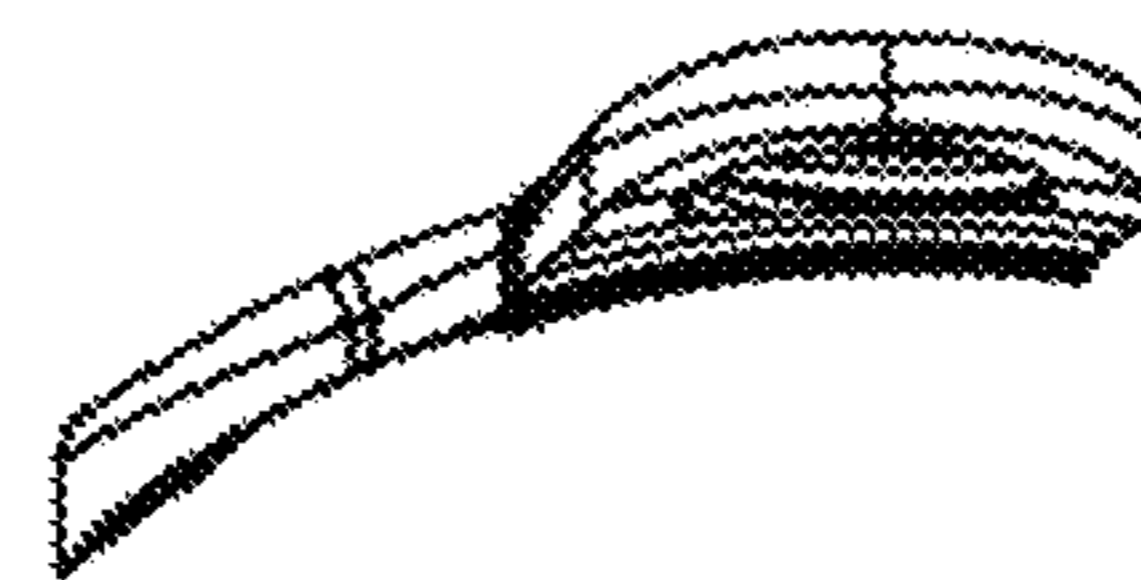


FIG. 14