



US00D745156S

(12) **United States Design Patent**
McCormack et al.

(10) **Patent No.:** **US D745,156 S**
(45) **Date of Patent:** **** Dec. 8, 2015**

(54) **SPINAL IMPLANT**

(71) Applicant: **Providence Medical Technology, Inc.**,
San Francisco, CA (US)

(72) Inventors: **Bruce M. McCormack**, San Francisco,
CA (US); **Edward Liou**, Mountain View,
CA (US); **Jeffrey D. Smith**, Clayton, CA
(US)

(73) Assignee: **Providence Medical Technology, Inc.**,
Lafayette, CA (US)

(**) Term: **14 Years**

(21) Appl. No.: **29/435,381**

(22) Filed: **Oct. 23, 2012**

(51) **LOC (10) Cl.** **24-02**

(52) **U.S. Cl.**
USPC **D24/155**

(58) **Field of Classification Search**
USPC D24/155, 133, 135; 623/17.15, 17.16,
623/17.12; 604/500; 606/61
CPC A61F 2/4611; A61F 2/442; A61F 2/447;
A61F 2220/0025; A61F 2310/00023; A61F
2310/00017; A61F 2002/4475; A61F
2002/30841; A61F 2002/2835; A61F
2002/30904; A61F 2002/30785; A61F
2002/443; A61F 2002/30578
See application file for complete search history.

(56) **References Cited**

U.S. PATENT DOCUMENTS

2,708,376 A 5/1955 Hodgson
2,984,241 A 5/1961 Carlson

(Continued)

FOREIGN PATENT DOCUMENTS

DE G 93 04 368.6 5/2003
DE G9304368.6 U1 5/2003

(Continued)

OTHER PUBLICATIONS

US 7,063,700, 06/2006, Michelson (withdrawn).

(Continued)

Primary Examiner — Susan Bennett Hattan

Assistant Examiner — Charles Hanson

(74) *Attorney, Agent, or Firm* — Dorsey & Whitney LLP

(57) **CLAIM**

The ornamental design for a spinal implant, as shown and described.

DESCRIPTION

FIG. 1 is a front perspective view of a spinal implant embodying our new design.

FIG. 2 is a front view of the embodiment shown in FIG. 1.

FIG. 3 is a right side view of the embodiment shown in FIG. 1.

FIG. 4 is a left side view of the embodiment shown in FIG. 1.

FIG. 5 is a rear view of the embodiment shown in FIG. 1.

FIG. 6 is top view of the embodiment shown in FIG. 1, the bottom view being identical thereto.

FIG. 7 is a front perspective view of another embodiment of a spinal implant embodying our new design.

FIG. 8 is a front view of the embodiment shown in FIG. 7.

FIG. 9 is a right side view of the embodiment shown in FIG. 7.

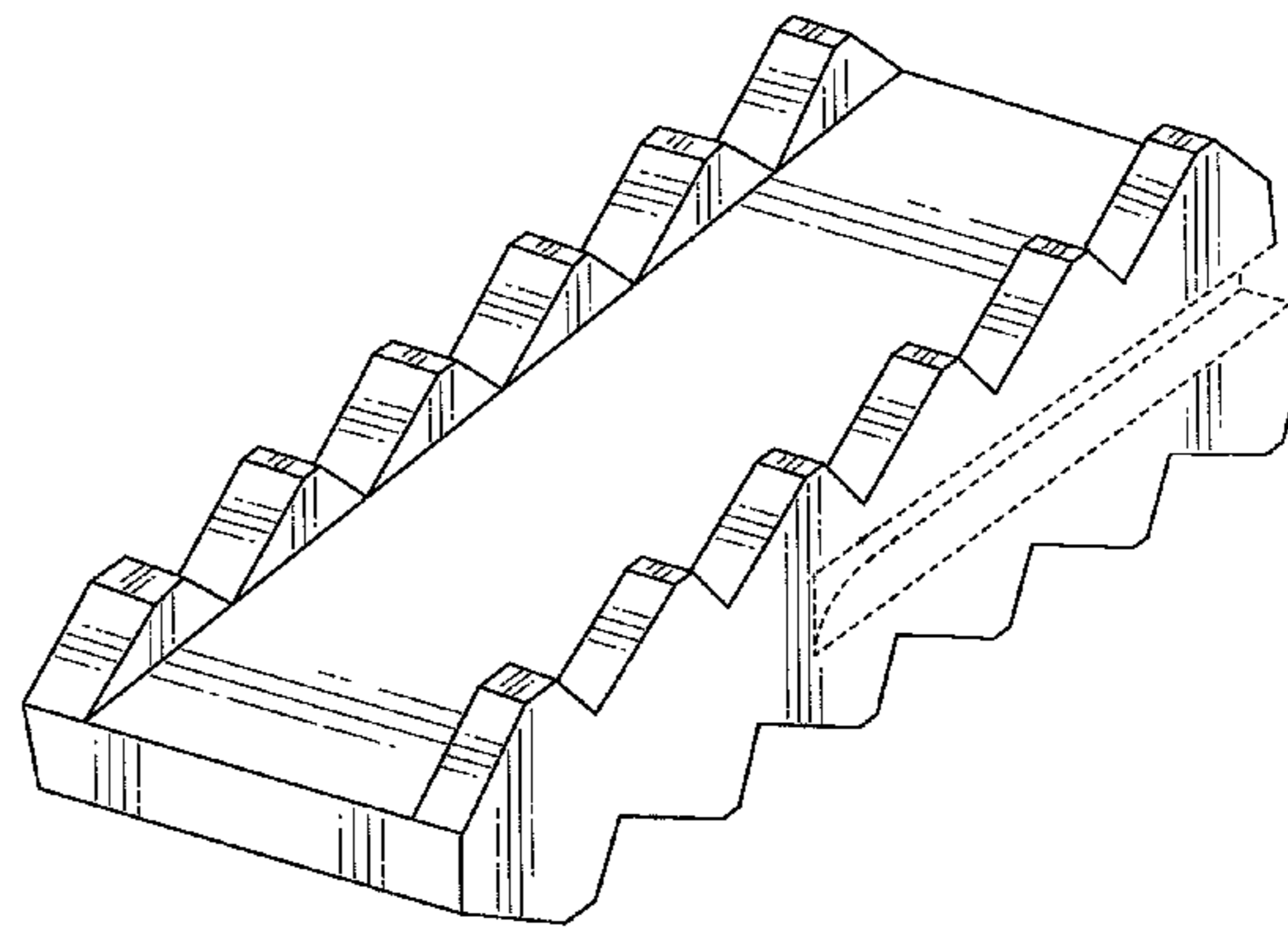
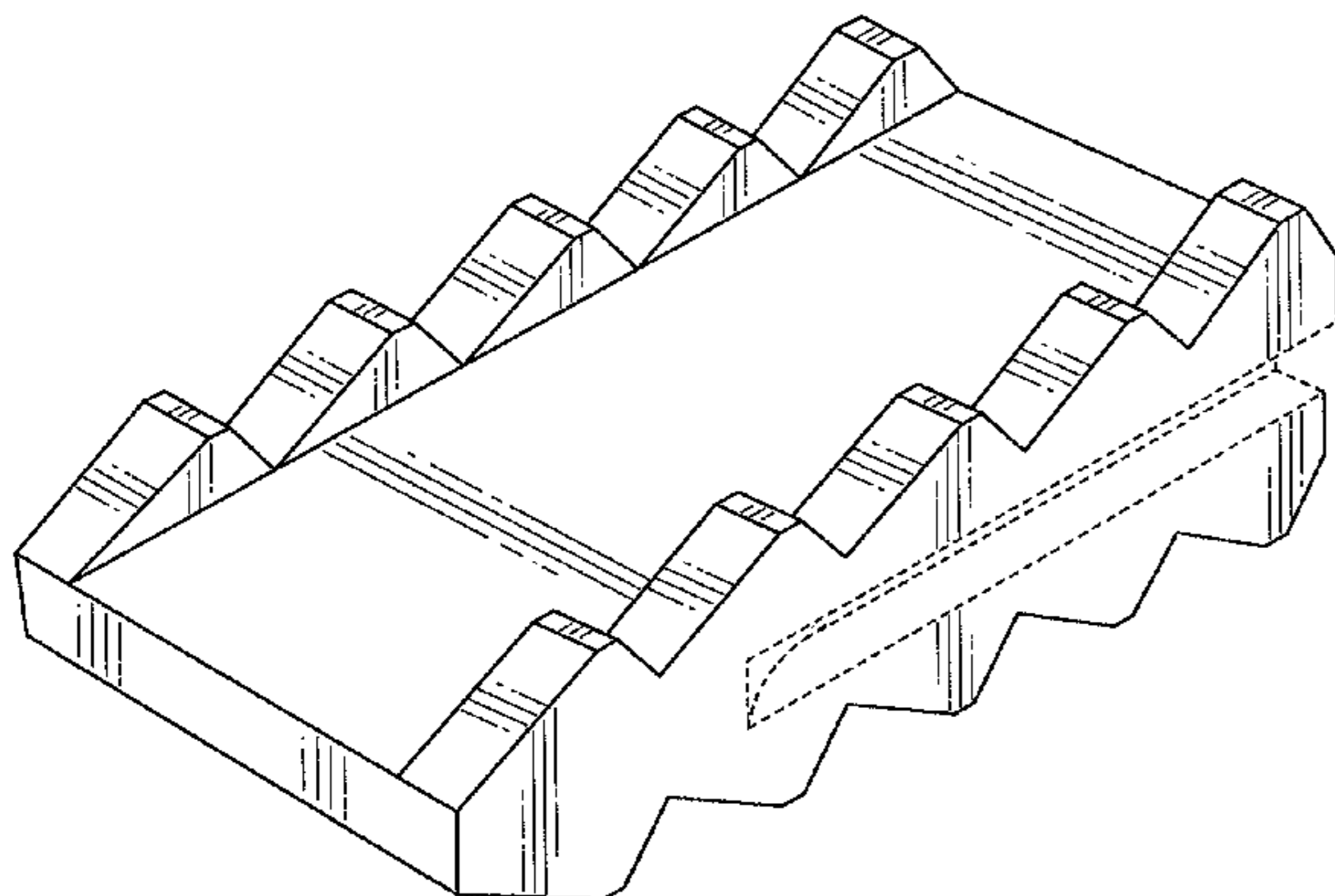
FIG. 10 is a left side view of the embodiment shown in FIG. 7.

FIG. 11 is a rear view of the embodiment shown in FIG. 7; and,

FIG. 12 is top view of the embodiment shown in FIG. 7, the bottom view being identical thereto.

The portions shown in broken lines in the figures are for illustrative purposes only and form no part of the claimed design.

1 Claim, 12 Drawing Sheets



(56)

References Cited

U.S. PATENT DOCUMENTS

4,479,491	A	10/1984	Martin	6,436,098	B1	8/2002	Michelson
4,530,355	A	7/1985	Griggs	6,436,142	B1	8/2002	Paes et al.
4,772,287	A	9/1988	Ray et al.	6,443,988	B2	9/2002	Felt et al.
4,877,020	A	10/1989	Vich	6,451,023	B1	9/2002	Salazar et al.
4,878,915	A	11/1989	Brantigan	6,454,807	B1	9/2002	Jackson
5,015,247	A	5/1991	Michelson	6,478,796	B2	11/2002	Zucherman et al.
5,026,373	A	6/1991	Ray et al.	6,500,206	B1	12/2002	Bryan
5,100,405	A	3/1992	McLaren	6,514,256	B2	2/2003	Zucherman et al.
5,135,528	A	8/1992	Winston	6,530,955	B2	3/2003	Boyle et al.
5,236,460	A	8/1993	Barber	6,558,390	B2	5/2003	Cragg
5,484,437	A	1/1996	Michelson	6,565,574	B2	5/2003	Michelson
5,489,307	A	2/1996	Kuslich et al.	6,569,186	B1	5/2003	Winters et al.
5,505,732	A	4/1996	Michelson	6,575,919	B1	6/2003	Reiley et al.
5,527,312	A	6/1996	Ray	6,579,319	B2	6/2003	Goble et al.
5,549,679	A	8/1996	Kuslich	6,582,432	B1	6/2003	Michelson
5,554,191	A	9/1996	Lahille et al.	6,607,530	B1	8/2003	Carl et al.
5,571,191	A	11/1996	Fitz	6,610,091	B1	8/2003	Reiley
5,593,409	A	1/1997	Michelson	6,626,905	B1	9/2003	Schmiel et al.
5,632,747	A	5/1997	Scarborough et al.	6,632,235	B2	10/2003	Weikel et al.
5,653,763	A	8/1997	Errico et al.	6,635,060	B2	10/2003	Hanson et al.
5,665,122	A	9/1997	Kambin	6,641,582	B1	11/2003	Hanson et al.
5,674,295	A	10/1997	Ray et al.	6,648,893	B2	11/2003	Dudasik
5,720,748	A	2/1998	Kuslich et al.	6,652,584	B2	11/2003	Michelson
5,741,253	A	4/1998	Michelson	6,663,647	B2	12/2003	Reiley et al.
5,772,661	A	6/1998	Michelson	6,666,866	B2	12/2003	Martz et al.
5,792,044	A	8/1998	Foley et al.	6,679,886	B2	1/2004	Weikel et al.
5,797,909	A	8/1998	Michelson	6,682,535	B2	1/2004	Hoogland
5,836,948	A	11/1998	Zuckerman et al.	6,685,742	B1	2/2004	Jackson
5,879,353	A	3/1999	Terry	6,709,458	B2	3/2004	Michelson
5,885,299	A	3/1999	Winslow et al.	6,712,853	B2	3/2004	Kuslich
5,891,147	A	4/1999	Moskovitz et al.	6,719,773	B1	4/2004	Boucher et al.
5,895,426	A	4/1999	Scarborough et al.	6,723,095	B2	4/2004	Hammerslag
5,899,908	A	5/1999	Kuslich et al.	6,733,534	B2	5/2004	Sherman
5,928,238	A	7/1999	Scarborough et al.	6,740,093	B2	5/2004	Hochschuler et al.
5,953,820	A	9/1999	Vasudeva	6,751,875	B2	6/2004	Jones
5,961,522	A	10/1999	Mehdizadeh	6,770,074	B2	8/2004	Michelson
5,976,146	A	11/1999	Ogawa et al.	6,793,679	B2	9/2004	Michelson
6,008,433	A	* 12/1999	Stone 623/20.14	6,805,715	B2	10/2004	Reuter et al.
6,033,405	A	3/2000	Winslow et al.	6,808,537	B2	10/2004	Michelson
6,045,580	A	4/2000	Scarborough et al.	6,823,871	B2	* 11/2004	Schmieding 128/898
6,063,088	A	5/2000	Winslow	6,840,941	B2	1/2005	Rogers et al.
RE36,758	E	6/2000	Fitz	6,875,213	B2	4/2005	Michelson
6,080,155	A	6/2000	Michelson	6,899,719	B2	5/2005	Reiley et al.
6,090,143	A	7/2000	Meriwether et al.	6,921,403	B2	7/2005	Cragg et al.
6,096,038	A	8/2000	Michelson	6,923,813	B2	8/2005	Phillips et al.
6,099,531	A	8/2000	Bonutti	6,958,077	B2	10/2005	Suddaby
6,102,950	A	8/2000	Vaccaro	6,962,606	B2	11/2005	Michelson
6,149,650	A	11/2000	Michelson	6,966,930	B2	11/2005	Arnin et al.
RE37,005	E	12/2000	Michelson et al.	6,972,035	B2	12/2005	Michelson
6,159,245	A	12/2000	Meriwether et al.	6,979,333	B2	12/2005	Hammerslag
6,176,882	B1	1/2001	Biedermann et al.	6,986,772	B2	1/2006	Michelson et al.
6,190,388	B1	2/2001	Michelson et al.	7,001,385	B2	2/2006	Bonutti
6,190,414	B1	2/2001	Young et al.	7,008,453	B1	3/2006	Michelson
6,193,757	B1	2/2001	Foley et al.	7,033,362	B2	4/2006	McGahan et al.
6,210,412	B1	4/2001	Michelson	7,033,392	B2	4/2006	Schmiel et al.
RE37,161	E	5/2001	Michelson et al.	7,033,394	B2	4/2006	Michelson
6,224,595	B1	5/2001	Michelson	7,066,961	B2	6/2006	Michelson
6,224,607	B1	5/2001	Michelson	D524,443	S	* 7/2006	Blain D24/155
6,224,630	B1	5/2001	Bao et al.	7,083,623	B2	8/2006	Michelson
6,245,108	B1	6/2001	Biscup	7,096,972	B2	8/2006	Orozco
6,248,110	B1	6/2001	Reiley et al.	7,101,398	B2	9/2006	Dooris et al.
D444,878	S	* 7/2001	Walter D24/155	7,115,128	B2	10/2006	Michelson
D445,188	S	* 7/2001	Walter D24/155	7,118,598	B2	10/2006	Michelson
6,264,656	B1	7/2001	Michelson	7,128,760	B2	10/2006	Michelson
6,267,763	B1	7/2001	Castro	7,156,877	B2	1/2007	Lotz et al.
6,270,498	B1	8/2001	Michelson	7,166,110	B2	1/2007	Yundt
6,283,966	B1	9/2001	Houfburg	7,175,023	B2	2/2007	Martin
6,315,795	B1	11/2001	Scarborough et al.	7,179,263	B2	2/2007	Zdeblick et al.
6,325,827	B1	12/2001	Lin	7,207,991	B2	4/2007	Michelson
6,371,984	B1	4/2002	Van Dyke et al.	D541,940	S	* 5/2007	Blain D24/155
6,371,988	B1	4/2002	Pafford et al.	7,220,280	B2	5/2007	Kast et al.
6,402,784	B1	6/2002	Wardlaw	7,264,622	B2	9/2007	Michelson
6,423,063	B1	7/2002	Bonutti	7,273,498	B2	9/2007	Bianchi et al.
6,423,083	B2	7/2002	Reiley et al.	7,288,093	B2	10/2007	Michelson
6,425,919	B1	7/2002	Lambrecht	7,291,149	B1	11/2007	Michelson
				7,300,440	B2	11/2007	Zdeblick et al.
				7,326,211	B2	2/2008	Padget et al.
				7,326,214	B2	2/2008	Michelson
				7,371,238	B2	5/2008	Soboleski et al.

(56)

References Cited

U.S. PATENT DOCUMENTS

7,399,303 B2	7/2008	Michelson	8,128,660 B2	3/2012	Mitchell et al.
7,410,501 B2	8/2008	Michelson	8,133,261 B2	3/2012	Fisher et al.
7,431,722 B1	10/2008	Michelson	8,142,503 B2	3/2012	Malone
7,445,636 B2	11/2008	Michelson	8,147,553 B2	4/2012	Vresilovic et al.
7,452,359 B1	11/2008	Michelson	8,162,981 B2	4/2012	Vestgaarden
7,452,369 B2	11/2008	Barry	8,172,877 B2	5/2012	Winslow et al.
7,465,304 B1	12/2008	Haufe et al.	8,177,872 B2	5/2012	Nelson et al.
7,476,226 B2	1/2009	Weikel et al.	8,197,513 B2	6/2012	Fisher et al.
7,476,251 B2	1/2009	Zucherman et al.	8,206,418 B2	6/2012	Triplett et al.
7,479,160 B2	1/2009	Branch et al.	8,267,966 B2	9/2012	McCormack et al.
7,491,205 B1	2/2009	Michelson	D674,900 S *	1/2013	Janice et al. D24/155
7,500,992 B2	3/2009	Li	8,348,979 B2	1/2013	McCormack et al.
7,517,358 B2	4/2009	Peterson	8,361,152 B2	1/2013	McCormack et al.
7,524,333 B2	4/2009	Lambrecht et al.	D677,791 S *	3/2013	Danacioglu et al. D24/155
7,569,054 B2	8/2009	Michelson	8,394,129 B2	3/2013	Morgenstern Lopez et al.
7,569,057 B2	8/2009	Liu et al.	D681,205 S *	4/2013	Farris et al. D24/155
7,580,743 B2	8/2009	Bourlion et al.	8,425,558 B2	4/2013	McCormack et al.
7,591,851 B2	9/2009	Winslow et al.	8,512,347 B2	8/2013	McCormack et al.
7,601,170 B2	10/2009	Winslow et al.	8,523,908 B2	9/2013	Malone
7,608,077 B2	10/2009	Cragg et al.	8,623,054 B2	1/2014	McCormack et al.
7,608,107 B2	10/2009	Michelson	8,834,530 B2	9/2014	McCormack
7,641,664 B2	1/2010	Pagano	D732,667 S	6/2015	McCormack et al.
7,648,523 B2	1/2010	Mirkovic et al.	2001/0004710 A1	6/2001	Felt et al.
7,655,027 B2	2/2010	Michelson	2002/0026195 A1	2/2002	Layne et al.
7,655,043 B2	2/2010	Peterman et al.	2002/0107519 A1	8/2002	Dixon
7,662,173 B2	2/2010	Cragg et al.	2002/0143343 A1	10/2002	Castro
D611,147 S *	3/2010	Hanson et al. D24/155	2002/0147496 A1	10/2002	Belef et al.
7,682,378 B2	3/2010	Truckai et al.	2002/0147497 A1	10/2002	Belef et al.
7,686,805 B2	3/2010	Michelson	2002/0165612 A1	11/2002	Gerber et al.
7,686,807 B2	3/2010	Padget et al.	2002/0169471 A1	11/2002	Ferdinand
7,699,878 B2	4/2010	Pavlov et al.	2003/0028251 A1	2/2003	Mathews
D615,653 S *	5/2010	Horton D24/155	2003/0033017 A1	2/2003	Lotz et al.
7,708,761 B2	5/2010	Petersen	2003/0105526 A1 *	6/2003	Bryant et al. 623/16.11
7,722,619 B2	5/2010	Michelson	2003/0109928 A1	6/2003	Pasquet et al.
7,763,024 B2	7/2010	Bertagnoli et al.	2003/0139816 A1	7/2003	Michelson
7,763,050 B2	7/2010	Winslow et al.	2003/0144737 A1	7/2003	Sherman
7,776,090 B2	8/2010	Winslow et al.	2003/0158553 A1	8/2003	Michelson
D623,748 S *	9/2010	Horton et al. D24/155	2003/0225416 A1	12/2003	Bonvallet et al.
D623,749 S *	9/2010	Horton et al. D24/155	2004/0059337 A1	3/2004	Hanson et al.
7,789,898 B2	9/2010	Peterman	2004/0073217 A1	4/2004	Michelson
D627,468 S *	11/2010	Richter et al. D24/155	2004/0087948 A1	5/2004	Suddaby
7,824,431 B2	11/2010	McCormack	2004/0087956 A1	5/2004	Weikel et al.
7,837,713 B2	11/2010	Petersen	2004/0106999 A1	6/2004	Mathews
7,846,183 B2	12/2010	Blain	2004/0133277 A1	7/2004	Michelson
7,846,184 B2	12/2010	Sasso et al.	2004/0133280 A1	7/2004	Trieu
7,850,733 B2	12/2010	Baynham et al.	2004/0162562 A1	8/2004	Martz
7,862,589 B2	1/2011	Thramann	2004/0215344 A1	10/2004	Hochschuler et al.
7,867,277 B1	1/2011	Tohmeh	2005/0010294 A1	1/2005	Michelson
D631,967 S *	2/2011	Horton D24/155	2005/0015149 A1	1/2005	Michelson
7,879,098 B1	2/2011	Simmons	2005/0027358 A1	2/2005	Suddaby
7,887,565 B2	2/2011	Michelson	2005/0049705 A1	3/2005	Hale et al.
7,892,261 B2 *	2/2011	Bonutti 606/279	2005/0055096 A1	3/2005	Serhan et al.
7,892,286 B2	2/2011	Michelson	2005/0065518 A1	3/2005	Michelson
7,896,803 B2	3/2011	Schara et al.	2005/0065519 A1	3/2005	Michelson
7,896,903 B2	3/2011	Link	2005/0065608 A1	3/2005	Michelson
7,901,439 B2	3/2011	Horton	2005/0065609 A1	3/2005	Wardlaw
7,914,530 B2	3/2011	Michelson	2005/0080422 A1	4/2005	Otte et al.
7,918,891 B1	4/2011	Curran et al.	2005/0090829 A1	4/2005	Martz et al.
7,922,729 B2	4/2011	Michelson	2005/0090901 A1	4/2005	Studer
7,922,766 B2	4/2011	Grob et al.	2005/0119680 A1	6/2005	Dykes
7,935,136 B2	5/2011	Alamin et al.	2005/0124993 A1	6/2005	Chappuis
7,988,712 B2	8/2011	Hale et al.	2005/0159650 A1	7/2005	Raymond et al.
7,988,714 B2	8/2011	Puekert et al.	2005/0159746 A1	7/2005	Grob et al.
7,998,174 B2	8/2011	Malandain et al.	2005/0177240 A1	8/2005	Blain
8,007,534 B2	8/2011	Michelson	2005/0216018 A1	9/2005	Sennett
8,029,540 B2	10/2011	Winslow et al.	2005/0240188 A1	10/2005	Chow et al.
8,043,334 B2	10/2011	Fisher et al.	2005/0251146 A1	11/2005	Martz et al.
8,052,728 B2	11/2011	Hestad	2005/0251257 A1	11/2005	Mitchell et al.
8,062,303 B2	11/2011	Berry et al.	2005/0267480 A1	12/2005	Suddaby
8,066,705 B2	11/2011	Michelson	2006/0004367 A1	1/2006	Alamin et al.
D650,481 S *	12/2011	Gottlieb et al. D24/155	2006/0015184 A1 *	1/2006	Winterbottom et al. ... 623/18.11
8,097,034 B2	1/2012	Michelson	2006/0036243 A1	2/2006	Sasso et al.
8,100,944 B2	1/2012	Laurysen et al.	2006/0036247 A1	2/2006	Michelson
D653,757 S *	2/2012	Binder D24/155	2006/0036323 A1	2/2006	Carl et al.
8,118,838 B2	2/2012	Winslow et al.	2006/0041311 A1	2/2006	McLeer
			2006/0058793 A1	3/2006	Michelson
			2006/0058878 A1	3/2006	Michelson
			2006/0069442 A1	3/2006	Michelson
			2006/0079905 A1	4/2006	Beyar et al.

(56)

References Cited

U.S. PATENT DOCUMENTS

2006/0079962 A1 4/2006 Michelson
 2006/0085074 A1 4/2006 Raiszadeh
 2006/0095028 A1 5/2006 Bleich
 2006/0095036 A1 5/2006 Hammerslag
 2006/0111779 A1 5/2006 Peterson
 2006/0111780 A1 5/2006 Petersen
 2006/0111781 A1 5/2006 Petersen
 2006/0149254 A1 7/2006 Laurysen et al.
 2006/0149289 A1 7/2006 Winslow et al.
 2006/0184172 A1 8/2006 Michelson
 2006/0190081 A1 8/2006 Kraus et al.
 2006/0195109 A1 8/2006 McGahan et al.
 2006/0200137 A1 9/2006 Soboleski et al.
 2006/0200138 A1 9/2006 Michelson
 2006/0200139 A1 9/2006 Michelson
 2006/0206118 A1 9/2006 Kim et al.
 2006/0217812 A1 9/2006 Lambrecht et al.
 2006/0235391 A1 10/2006 Sutterlin, III
 2006/0241597 A1 10/2006 Mitchell et al.
 2006/0241626 A1 10/2006 McGahan et al.
 2006/0241758 A1 10/2006 Peterman et al.
 2006/0247632 A1 11/2006 Winslow et al.
 2006/0247633 A1 11/2006 Winslow et al.
 2006/0247650 A1 11/2006 Yerby et al.
 2006/0259142 A1 11/2006 Dooris et al.
 2006/0271195 A1 11/2006 Thramann
 2006/0276790 A1 12/2006 Dawson et al.
 2006/0276801 A1 12/2006 Yerby et al.
 2006/0276897 A1 12/2006 Winslow et al.
 2007/0016195 A1 1/2007 Winslow et al.
 2007/0016196 A1 1/2007 Winslow et al.
 2007/0016218 A1 1/2007 Winslow et al.
 2007/0032871 A1 2/2007 Michelson
 2007/0043362 A1 2/2007 Malandain et al.
 2007/0050031 A1 3/2007 Khosrowshahi
 2007/0055245 A1 3/2007 Sasso et al.
 2007/0055263 A1 3/2007 Way et al.
 2007/0073402 A1 3/2007 Vresilovic et al.
 2007/0083265 A1 4/2007 Malone
 2007/0123863 A1 5/2007 Winslow et al.
 2007/0123888 A1 5/2007 Bleich et al.
 2007/0135814 A1 6/2007 Farris
 2007/0135921 A1 6/2007 Park
 2007/0149976 A1 6/2007 Hale et al.
 2007/0149983 A1 6/2007 Link
 2007/0150061 A1 6/2007 Trieu
 2007/0161991 A1 7/2007 Altarac et al.
 2007/0179617 A1 8/2007 Brown et al.
 2007/0179619 A1 8/2007 Grob et al.
 2007/0225721 A1 9/2007 Thelen et al.
 2007/0225812 A1 9/2007 Gill
 2007/0244483 A9 10/2007 Winslow et al.
 2007/0276491 A1 11/2007 Ahrens
 2007/0282441 A1 12/2007 Stream et al.
 2007/0288014 A1 12/2007 Shaddock et al.
 2007/0299451 A1 12/2007 Tulkis
 2008/0015581 A1 1/2008 Eckman et al.
 2008/0021457 A1 1/2008 Anderson et al.
 2008/0021464 A1 1/2008 Morin et al.
 2008/0045970 A1 2/2008 Saidha et al.
 2008/0058954 A1 3/2008 Trieu
 2008/0065219 A1 3/2008 Dye
 2008/0108996 A1 5/2008 Padget et al.
 2008/0140207 A1 6/2008 Olmos et al.
 2008/0161810 A1 7/2008 Melkent
 2008/0161929 A1 7/2008 McCormack et al.
 2008/0167657 A1 7/2008 Greenhalgh
 2008/0177311 A1 7/2008 Winslow et al.
 2008/0208341 A1 8/2008 McCormack et al.
 2008/0216846 A1 9/2008 Levin
 2008/0234677 A1 9/2008 Dahners et al.
 2008/0234758 A1 9/2008 Fisher et al.
 2008/0255564 A1 10/2008 Michelson
 2008/0255618 A1 10/2008 Fisher et al.
 2008/0255622 A1 10/2008 Mickiewicz et al.

2008/0255666 A1 10/2008 Fisher et al.
 2008/0255667 A1 10/2008 Horton
 2008/0287955 A1 11/2008 Michelson
 2008/0312744 A1 12/2008 Vresilovic et al.
 2009/0131986 A1 5/2009 Lee et al.
 2009/0138053 A1 5/2009 Assell et al.
 2009/0177205 A1 7/2009 McCormack et al.
 2009/0234397 A1 9/2009 Petersen
 2009/0263461 A1 10/2009 McKay
 2009/0306671 A1 12/2009 McCormack et al.
 2009/0312763 A1 12/2009 McCormack et al.
 2010/0069912 A1 3/2010 McCormack et al.
 2010/0086185 A1 4/2010 Weiss
 2010/0093829 A1 4/2010 Gorman
 2010/0111829 A1 5/2010 Drapeau et al.
 2010/0114105 A1 5/2010 Butters et al.
 2010/0145391 A1 6/2010 Kleiner
 2010/0191241 A1 7/2010 McCormack et al.
 2011/0022089 A1 1/2011 Assell et al.
 2011/0054613 A1 3/2011 Hansen
 2011/0082548 A1 4/2011 Assell et al.
 2011/0245930 A1 10/2011 Alley et al.
 2011/0295327 A1 12/2011 Moskowitz et al.
 2011/0307061 A1 12/2011 Assell et al.
 2012/0010662 A1 1/2012 O'Neil et al.
 2012/0010669 A1 1/2012 O'Neil et al.
 2012/0143334 A1* 6/2012 Boyce et al. 623/16.11
 2012/0226358 A1 9/2012 Kleiner
 2012/0265250 A1 10/2012 Ali
 2012/0283776 A1 11/2012 Mishra
 2013/0006364 A1 1/2013 McCormack et al.
 2013/0012994 A1 1/2013 McCormack et al.
 2013/0013070 A1 1/2013 McCormack et al.
 2013/0018474 A1 1/2013 McCormack et al.
 2013/0023995 A1 1/2013 McCormack et al.
 2013/0023996 A1 1/2013 McCormack et al.
 2013/0030440 A1 1/2013 McCormack et al.
 2013/0030532 A1 1/2013 McCormack et al.
 2013/0110168 A1 5/2013 McCormack et al.
 2013/0110243 A1 5/2013 Patterson et al.
 2013/0123922 A1 5/2013 McCormack et al.
 2013/0144389 A1* 6/2013 Bonutti 623/17.16
 2013/0226239 A1 8/2013 Altarac et al.
 2013/0253649 A1 9/2013 Davis
 2013/0274763 A1 10/2013 Drapeau et al.
 2013/0310839 A1 11/2013 McCormack et al.
 2013/0310878 A1 11/2013 McCormack et al.
 2013/0310943 A1 11/2013 McCormack et al.
 2013/0317548 A1 11/2013 Malone
 2013/0338720 A1 12/2013 Kleiner
 2014/0025113 A1 1/2014 McCormack et al.
 2014/0100657 A1 4/2014 McCormack et al.
 2014/0379087 A1 12/2014 McCormack

FOREIGN PATENT DOCUMENTS

FR 2 722 980 A1 2/1996
 FR 2722980 A1 2/1996
 WO 99/49818 A1 10/1999
 WO 99/49818 A1 10/1999
 WO 00/35388 A1 6/2000
 WO 00/35388 A1 6/2000
 WO 00/53126 A1 9/2000
 WO 00/53126 A1 9/2000
 WO 01/01895 A1 1/2001
 WO 01/01895 A1 1/2001
 WO 02/34120 A2 5/2002
 WO 02/38062 A2 5/2002
 WO 02/34120 A2 5/2002
 WO 02/38062 A2 5/2002
 WO 02/076335 A2 10/2002
 WO 02/076335 A2 10/2002
 WO 2006-058221 6/2006
 WO 2006058221 6/2006
 WO 2006/058221 A2 6/2006
 WO 2006/096803 A2 9/2006
 WO 2006/130791 12/2006
 WO 2006130791 12/2006
 WO 2006/130791 A2 12/2006

(56)

References Cited

FOREIGN PATENT DOCUMENTS

WO	WO 2006/135792	A1	12/2006
WO	WO 2007/120903	A1	10/2007
WO	2008083349		7/2008
WO	2008083349	A1	7/2008
WO	2009089367		7/2009
WO	2009148619		12/2009
WO	2010030994		3/2010
WO	2010074714		7/2010

OTHER PUBLICATIONS

Advisory Action, U.S. Appl. No. 12/317,682, dated Apr. 6, 2012, 3 pages.

Advisory Action, U.S. Appl. No. 12/455,814, dated Aug. 16, 2012, 3 pages.

Amendment and Response to Office Action, U.S. Appl. No. 12/110,548, filed May 5, 2009, 11 pages.

Amendment, U.S. Appl. No. 11/618,619, filed May 5, 2008, 10 pages.

Corrected Response to Restriction Requirement, U.S. Appl. No. 12/317,682, filed Sep. 2, 2011, 15 pages.

Final Office Action, U.S. Appl. No. 11/618,619, mailed Aug. 8, 2008, 10 pages.

Final Office Action, U.S. Appl. No. 12/110,548, mailed Feb. 26, 2010, 4 pages.

Final Office Action, U.S. Appl. No. 12/317,682, mailed Feb. 10, 2012, 8 pages.

Final Office Action, U.S. Appl. No. 12/350,609, mailed Apr. 25, 2012, 10 pages.

Final Office Action, U.S. Appl. No. 12/455,814, mailed Jun. 6, 2012, 12 pages.

Final Office Action, U.S. Appl. No. 12/559,193, mailed Feb. 13, 2013, 10 pages.

Final Office Action, U.S. Appl. No. 12/653,283, mailed Mar. 21, 2012, 8 pages.

Final Office Action, U.S. Appl. No. 12/653,283, mailed Nov. 19, 2012, 8 pages.

Goel, Atul et al., Facetal Distraction as Treatment for Single- and Multilevel Cervical spondylotic Radiculopathy and Myelopathy: A Preliminary Report. *J Neurosurg Spine* 14:689-696, Jun. 2011; published online Mar. 18, 2011; DOI: 10.3171/2011.2.SPINE10601.

International Search Report and WO, International patent application No. PCT/US2009/056841, dated Apr. 9, 2010.

International Search Report and WO, PCT/US2009/006478, dated Jun. 29, 2010.

International Search Report and Written Opinion, International patent application No. PCT/US07/89146, dated Nov. 3, 2008.

International Search Report and Written Opinion, International patent application No. PCT/US2009/030461, dated Aug. 17, 2009.

International Search Report and Written Opinion, International patent application No. PCT/US2009/003423, dated Dec. 14, 2009.

Interview Summary, U.S. Appl. No. 11/618,619, mailed Mar. 18, 2008, 3 pages.

Medtronic, Cervical FacetLift ID/S Indirect Decompression and Stabilization technique using Cornerstone Facet MicroGrafts, Surgical Technique. Copyright 2012 Medtronic Sofamor Danek USA, Inc.

Non-Final Office Action, U.S. Appl. No. 11/618,619, mailed Jan. 3, 2008, 12 pages.

Non-Final Office Action, U.S. Appl. No. 12/110,548, mailed Feb. 17, 2009, 11 pages.

Nonfinal Office Action, U.S. Appl. No. 12/317,682, dated Sep. 15, 2011, 25 pages.

Non-final Office Action, U.S. Appl. No. 12/350,609, dated Oct. 18, 2011, 27 pages.

Non-Final Office Action, U.S. Appl. No. 12/455,814, dated Jan. 24, 2012, 30 pages.

Non-Final Office Action, U.S. Appl. No. 12/559,193, mailed Sep. 18, 2012, 26 pages.

Non-Final Office Action, U.S. Appl. No. 12/653,283, mailed Feb. 10, 2012, 7 pages.

Non-Final Office Action, U.S. Appl. No. 12/653,283, mailed Jul. 18, 2012, 5 pages.

Nonfinal Office Action, U.S. Appl. No. 12/653,283, dated Aug. 9, 2011, 20 pages.

Non-Final Office Action, U.S. Appl. No. 12/889,122, dated Mar. 29, 2012, 20 pages.

Notice of Allowance, U.S. Appl. No. 12/110,548, mailed Mar. 29, 2010, 5 pages.

Notice of Allowance, U.S. Appl. No. 12/110,548, mailed Jul. 14, 2010, 10 pages.

Notice of Allowance, U.S. Appl. No. 12/317,682, mailed May 11, 2012, 10 pages.

Notice of Allowance, U.S. Appl. No. 12/455,814, mailed Oct. 2, 2012, 6 pages.

Notice of Allowance, U.S. Appl. No. 12/653,283, mailed Feb. 28, 2013, 10 pages.

Notice of Allowance, U.S. Appl. No. 12/889,122, mailed Sep. 25, 2012, 7 pages.

Notice of Non-Responsive Amendment, U.S. Appl. No. 12/317,682, dated Aug. 8, 2011, 2 pages.

Office Action (Quayle), U.S. Appl. No. 12/653,283, dated Dec. 22, 2011, 8 pages.

Office Action (Restriction), U.S. Appl. No. 12/317,682, dated Apr. 22, 2011, 14 pages.

Office Action (Restriction), U.S. Appl. No. 12/350,609, dated Jun. 14, 2011, 6 pages.

Office Action (Restriction), U.S. Appl. No. 12/455,814, dated Apr. 20, 2011, 14 pages.

Office Action (Restriction), U.S. Appl. No. 12/653,283, dated Jun. 24, 2011, 9 pages.

Partial International Search Report, International patent application No. PCT/US2009/030461, dated May 13, 2009.

Partial International Search Report, International patent application No. PCT/US2009/003423, dated Sep. 14, 2009.

Partial International Search Report, International patent application No. PCT/US2009/056841, dated Dec. 10, 2009.

Partial International Search Report, International patent application No. PCT/US2009/006478, dated Apr. 7, 2010.

Press Release , Interventional Spine, Inc., FDA Grants Conditional Approval to Interventional Spine's PercuDyn System IDE Application (Jul. 1, 2008).

Press Release , Interventional Spine, Inc., Interventional Spine, Inc. Introduces the PERPOS Fusion Facet Prep Kit (Oct. 14, 2008).

Press Release, minSURG Corp., Orthopedic Development Corporation's TruFUSE Procedure Tops 1,750 Patients in First Year (Sep. 24, 2007).

RCE/Amendment, U.S. Appl. No. 12/350,609, filed Jul. 24, 2012, 19 pages.

Response to Advisory Action, U.S. Appl. No. 12/317,682, filed Apr. 24, 2012, 4 pages.

Response to Advisory Action, U.S. Appl. No. 12/455,814, filed Sep. 5, 2012, 6 pages.

Response to Final Office Action, U.S. Appl. No. 12/317,682, filed Mar. 22, 2012, 17 pages.

Response to Final Office Action, U.S. Appl. No. 12/455,814, filed Aug. 6, 2012, 13 pages.

Response to Final Office Action, U.S. Appl. No. 12/559,193, filed Apr. 12, 2013, 8 pages.

Response to Final Office Action, U.S. Appl. No. 12/653,283, filed Jun. 15, 2012, 7 pages.

Response to Final Office Action, U.S. Appl. No. 12/653,283, filed Feb. 19, 2013, 5 pages.

Response to Non-Final Office Action and Terminal Disclaimer, U.S. Appl. No. 12/889,122, filed Jun. 27, 2012, 8 pages.

Response to Non-Final Office Action, U.S. Appl. No. 12/317,682, filed Dec. 13, 2011, 19 pages.

Response to Non-Final Office Action, U.S. Appl. No. 12/350,609, filed Feb. 17, 2012, 16 pages.

Response to Non-Final Office Action, U.S. Appl. No. 12/455,814, filed Apr. 24, 2012, 15 pages.

Response to Non-Final Office Action, U.S. Appl. No. 12/653,283, filed Dec. 6, 2011, 14 pages.

(56)

References Cited

OTHER PUBLICATIONS

- Response to Non-Final Office Action, U.S. Appl. No. 12/653,283, filed Mar. 8, 2012, 9 pages.
- Response to Non-Final Office Action, U.S. Appl. No. 12/653,283, filed Oct. 18, 2012, 6 pages.
- Response to Non-Final Office Action, U.S. Appl. No. 12/599,193, filed Dec. 13, 2012, 7 pages.
- Response to Quayle Action, U.S. Appl. No. 12/653,283, filed Feb. 1, 2012, 3 pages.
- Response to Restriction Requirement, U.S. Appl. No. 12/350,609, filed Aug. 15, 2011, 14 pages.
- Response to Restriction, U.S. Appl. No. 12/317,682, filed May 16, 2011, 15 pages.
- Response to Restriction, U.S. Appl. No. 12/455,814, filed May 16, 2011, 10 pages.
- Response to Restriction, U.S. Appl. No. 12/559,193, filed Jul. 17, 2012, 6 pages.
- Response to Restriction, U.S. Appl. No. 12/653,283, filed Jul. 22, 2011, 8 pages.
- Restriction Requirement, U.S. Appl. No. 12/559,193, dated Apr. 18, 2012, 10 pages.
- Advisory Action, U.S. Appl. No. 13/614,372, dated Feb. 26, 2014, 6 pages.
- Final Office Action, U.S. Appl. No. 12/350,609, dated Feb. 10, 2014, 16 pages.
- Final Office Action, U.S. Appl. No. 13/614,372, dated Oct. 25, 2013, 9 pages.
- Final Office Action, U.S. Appl. No. 13/614,508, dated Dec. 23, 2013, 12 pages.
- Final Office Action, U.S. Appl. No. 13/627,825, dated Dec. 4, 2013, 8 pgs.
- Final Office Action, U.S. Appl. No. 13/627,850, dated Dec. 30, 2013, 12 pages.
- Final Office Action, U.S. Appl. No. 13/627,865, dated Dec. 4, 2013, 10 pages.
- International Search Report and Written Opinion, PCT/US2013/073744, dated Mar. 31, 2014, 11 pages.
- Miscellaneous Office Action, U.S. Appl. No. 13/614,577, dated Apr. 23, 2014, 2 pages.
- Non-Final Office Action, U.S. Appl. No. 12/350,609, dated Oct. 10, 2013, 17 pages.
- Non-Final Office Action, U.S. Appl. No. 13/614,372, mailed Jun. 26, 2013, 22 pages.
- Non-Final Office Action, U.S. Appl. No. 13/614,508, mailed Jul. 17, 2013, 25 pages.
- Non-Final Office Action, U.S. Appl. No. 13/614,577, mailed Jul. 19, 2013, 22 pages.
- Non-Final Office Action, U.S. Appl. No. 13/614,577, dated Dec. 5, 2013, 10 pages.
- Non-Final Office Action, U.S. Appl. No. 13/627,825, mailed Jul. 19, 2013, 22 pages.
- Non-Final Office Action, U.S. Appl. No. 13/627,850, mailed Jul. 25, 2013, 23 pages.
- Non-Final Office Action, U.S. Appl. No. 13/627,865, mailed Jul. 26, 2013, 25 pages.
- Non-Final Office Action, U.S. Appl. No. 13/722,802, mailed Sep. 26, 2013, 8 pages.
- Non-Final Office Action, U.S. Appl. No. 29/435,385, dated Oct. 2, 2013, 20 pages.
- Non-Final Office Action, U.S. Appl. No. 29/448,467, dated Oct. 2, 2013, 8 pages.
- Non-Final Office Action, U.S. Appl. No. 29/448,474, dated Oct. 2, 2013, 8 pages.
- Notice of Allowance, U.S. Appl. No. 12/559,193, mailed Apr. 22, 2013, 8 pages.
- Notice of Allowance, U.S. Appl. No. 13/614,372, dated Apr. 16, 2014, 18 pages.
- Notice of Allowance, U.S. Appl. No. 13/627,812, mailed Aug. 30, 2013, 25 pages.
- Notice of Allowance, U.S. Appl. No. 13/627,825, dated Feb. 27, 2014, 12 pages.
- Notice of Allowance, U.S. Appl. No. 13/627,865, dated Feb. 20, 2014, 9 pages.
- Response to Final Office Action, U.S. Appl. No. 13/614,372, dated Dec. 20, 2013, 11 pages.
- Response to Final Office Action, U.S. Appl. No. 13/627,825, dated Jan. 28, 2014, 9 pages.
- Response to Final Office Action, U.S. Appl. No. 13/627,850, dated Mar. 31, 2014, 9 pages.
- Response to Final Office Action, U.S. Appl. No. 13/627,865, dated Feb. 4, 2014, 9 pages.
- Response to Non-Final Office Action and Terminal Disclaimer, U.S. Appl. No. 13/627,850, filed Oct. 25, 2013, 11 pages.
- Response to Non-Final Office Action, U.S. Appl. No. 12/350,609, dated Jan. 10, 2014, 22 pages.
- Response to Non-Final Office Action, U.S. Appl. No. 13/614,372, filed Sep. 26, 2013, 13 pages.
- Response to Non-Final Office Action, U.S. Appl. No. 13/614,508, filed Oct. 17, 2013, 12 pages.
- Response to Non-final Office Action, U.S. Appl. No. 13/614,577, filed Oct. 21, 2013, 10 pages.
- Response to Non-Final Office Action, U.S. Appl. No. 13/614,577, dated Apr. 3, 2014, 13 pages.
- Response to Non-Final Office Action, U.S. Appl. No. 13/627,825, filed Oct. 21, 2013, 11 pages.
- Response to Non-Final Office Action, U.S. Appl. No. 13/627,865, dated Oct. 28, 2013, 17 pages.
- Response to Non-Final Office Action, U.S. Appl. No. 29/435,385, dated Mar. 4, 2014, 6 pages.
- Response to Non-Final Office Action, U.S. Appl. No. 13/722,802, filed Mar. 26, 2014, 10 pages.
- Response to Non-Final Office Action, U.S. Appl. No. 29/448,474, dated Mar. 4, 2014, 6 pages.
- Response to Non-Final Office Action, U.S. Appl. No. 29/448,467, dated Mar. 4, 2014, 6 pages.
- Response to Restriction, U.S. Appl. No. 13/614,372, filed May 16, 2013, 6 pages.
- Response to Restriction, U.S. Appl. No. 13/614,508, filed Jun. 1, 2013, 6 pages.
- Response to Restriction, U.S. Appl. No. 13/614,577, filed Jun. 1, 2013, 6 pages.
- Response to Restriction, U.S. Appl. No. 13/627,812, filed Aug. 7, 2013, 6 pages.
- Response to Restriction, U.S. Appl. No. 13/627,825, filed Jun. 1, 2013, 6 pages.
- Response to Restriction, U.S. Appl. No. 13/627,850, filed Jun. 1, 2013, 5 pages.
- Response to Restriction, U.S. Appl. No. 13/627,865, filed Jun. 1, 2013, 6 pages.
- Restriction Requirement, U.S. Appl. No. 13/614,372, mailed Apr. 17, 2013, 6 pages.
- Restriction Requirement, U.S. Appl. No. 13/614,508, mailed May 3, 2013, 6 pages.
- Restriction Requirement, U.S. Appl. No. 13/614,577, mailed May 2, 2013, 6 pages.
- Restriction Requirement, U.S. Appl. No. 13/627,812, mailed Jul. 16, 2013, 7 pages.
- Restriction Requirement, U.S. Appl. No. 13/627,825, mailed May 2, 2013, 7 pages.
- Restriction Requirement, U.S. Appl. No. 13/627,850, mailed May 2, 2013, 7 pages.
- Restriction Requirement, U.S. Appl. No. 13/627,865, mailed May 6, 2013, 5 pages.
- Supplemental Amendment After Final Office Action, U.S. Appl. No. 13/614,372, dated Mar. 21, 2014, 7 pages.
- Amendment and Response to Office Action for U.S. Appl. No. 12/110,548, filed with the United States Patent and Trademark Office on May 5, 2009 (11 pages).
- Amendment and Response to Office Action for U.S. Appl. No. 11/618,619, filed with the United States Patent and Trademark Office on May 5, 2008, (10 pages).

(56)

References Cited

OTHER PUBLICATIONS

Final Office Action for U.S. Appl. No. 12/110,548, mailed Feb. 26, 2010 (4 pages).

Final Office Action for U.S. Appl. No. 11/618,619, mailed Aug. 8, 2008 (10 pages).

International Search Report and Written Opinion for International Patent Application No. PCT/US2009/056841, mailed Apr. 9, 2010 (19 pages).

International Search Report and Written Opinion for International Patent Application No. PCT/US2009/006478, mailed Jun. 29, 2010 (18 pages).

International Search Report and Written Opinion for International Patent Application No. PCT/US07/89146, mailed Nov. 3, 2008 (8 pages).

International Search Report and Written Opinion for International Patent Application No. PCT/US2009/003423, mailed Dec. 14, 2009 (14 pages).

International Search Report and Written Opinion for International Patent Application No. PCT/US2009/030461, mailed Aug. 17, 2009 (15 pages).

Examiner Interview Summary for U.S. Appl. No. 11/618,619, mailed Mar. 18, 2008 (3 pages).

Non-Final Office Action and Notice of References Cited for U.S. Appl. No. 11/618,619, mailed Jan. 3, 2008 (12 pages).

Non-Final Office Action and Notice of References Cited for U.S. Appl. No. 12/110,548, mailed Feb. 17, 2009 (11 pages).

Notice of Allowance and Fee(s) Due for U.S. Appl. No. 12/110,548, mailed Mar. 29, 2010 (5 pages).

Notice of Allowance and Fee(s) Due for U.S. Appl. No. 12/110,548, mailed Jul. 14, 2010 (10 pages).

Partial International Search Report for International Patent Application No. PCT/US2009/003423, dated Sep. 14, 2009 (3 pages).

Partial International Search Report for International Patent Application No. PCT/US2009/006478, dated Apr. 7, 2010 (7 pages).

Partial International Search Report for International Patent Application No. PCT/US2009/030461, dated May 13, 2009 (3 pages).

Partial International Search Report for International Patent Application No. PCT/US2009/056841, dated Dec. 10, 2009 (3 pages).

PCT International Search Report for International Patent Application No. PCT/US2014/056041, mailed Mar. 31, 2015 (2 pages).

PCT Written Opinion for International Patent Application No. PCT/US2014/056041, mailed Mar. 31, 2015 (6 pages).

Interventional Spine Inc., "Interventional Spine Inc. Introduces the PERPOS Fusion Facet Prep Kit," Press Release, dated Oct. 14, 2008 (1 page).

Interventional Spine, Inc., "FDA Grants Conditional Approval to Interventional Spine's PercuDyn System IDE Application," Press Release, dated Jul. 1, 2008 (1 page).

minSURG Corp., "Orthopedic Development Corporation's TruFUSE Procedure Tops 1,750 Patients in First Year," Press Release, dated Sep. 24, 2007 (1 page).

International Search Report for International Patent Application No. PCT/US2014/056078, mailed Jan. 2, 2015 (2 pages).

Written Opinion for International Patent Application No. PCT/US2014/056078, mailed Jan. 2, 2015 (7 pages).

PCT International Search Report and Written Opinion for International Patent Application No. PCT/US2007/089146, mailed Nov. 3, 2008 (7 pages).

PCT International Search Report for International Patent Application No. PCT/US2013/073744, mailed Mar. 31, 2014 (4 pages).

* cited by examiner

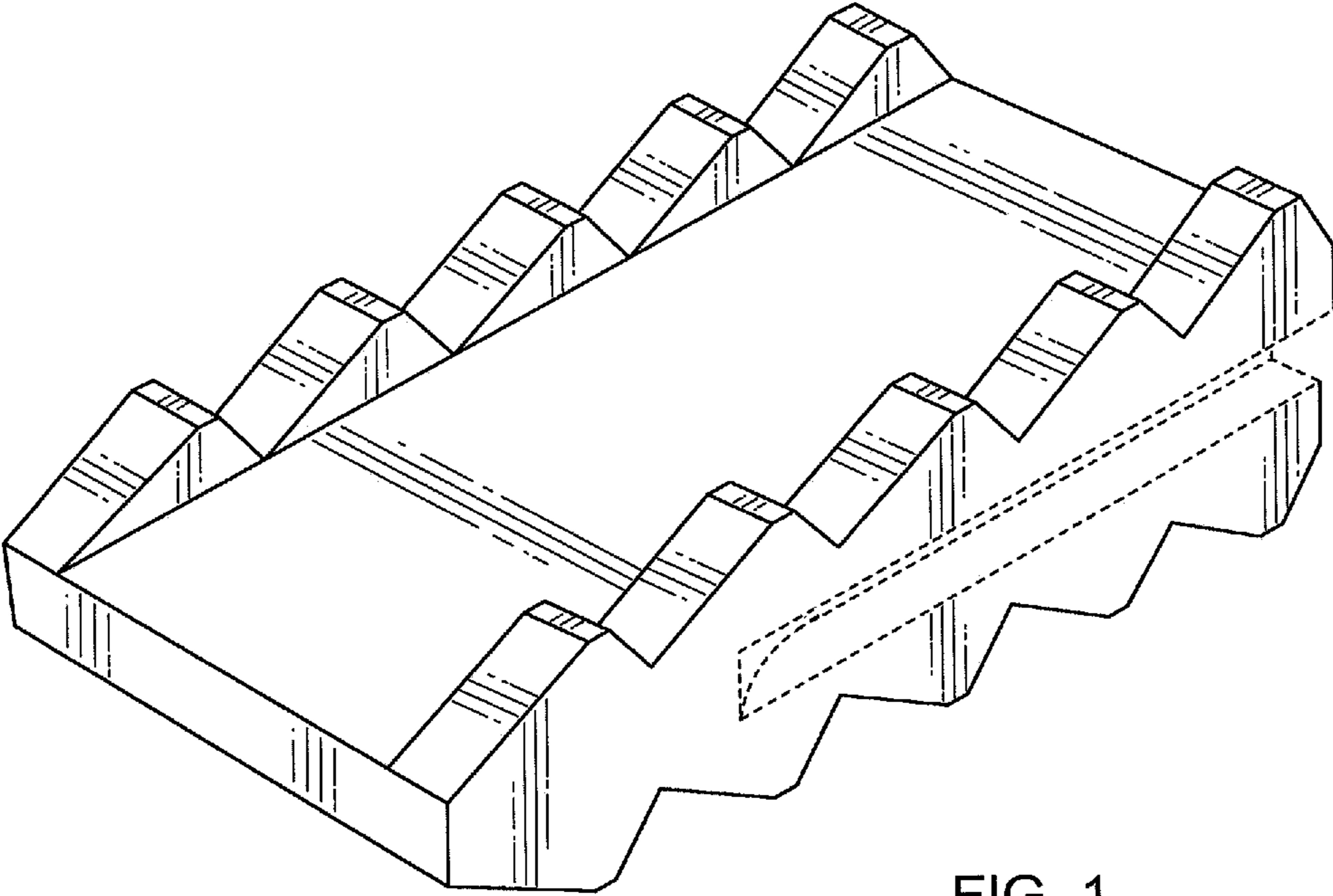


FIG. 1

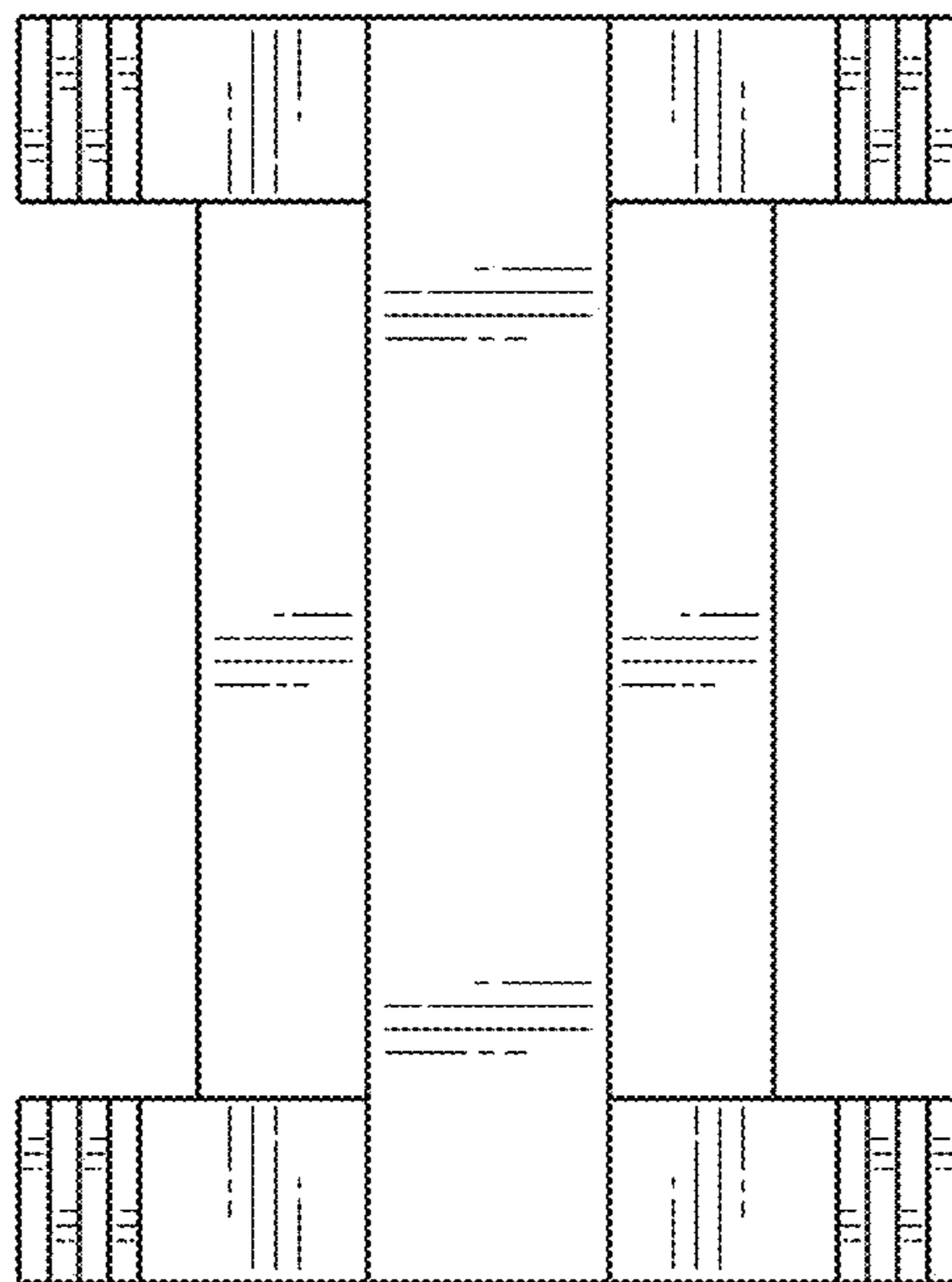


FIG. 2

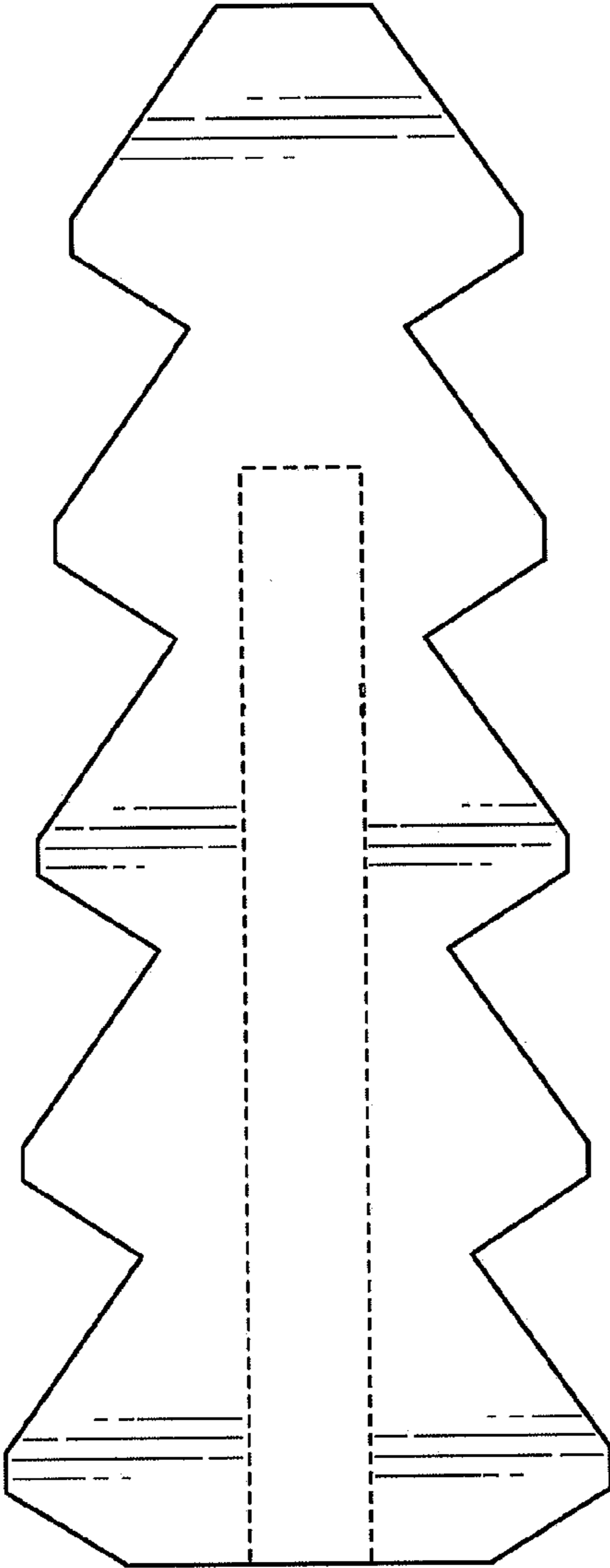


FIG. 3

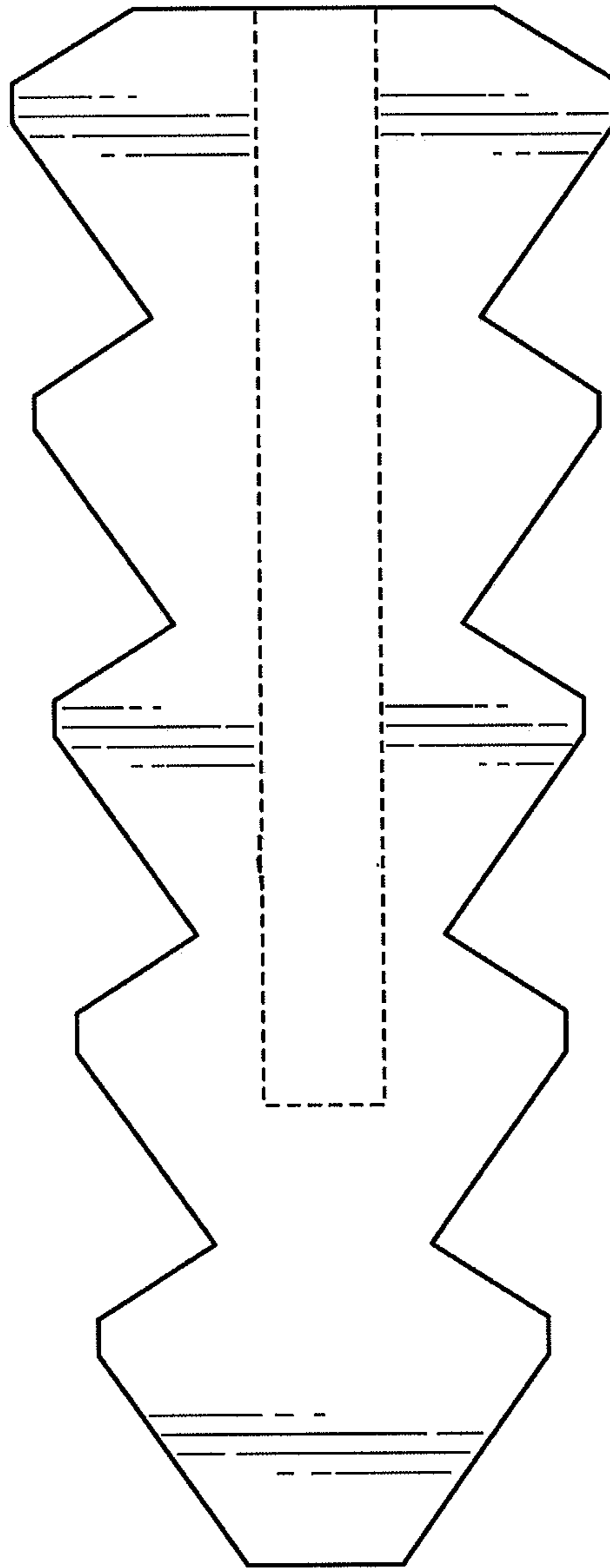


FIG. 4

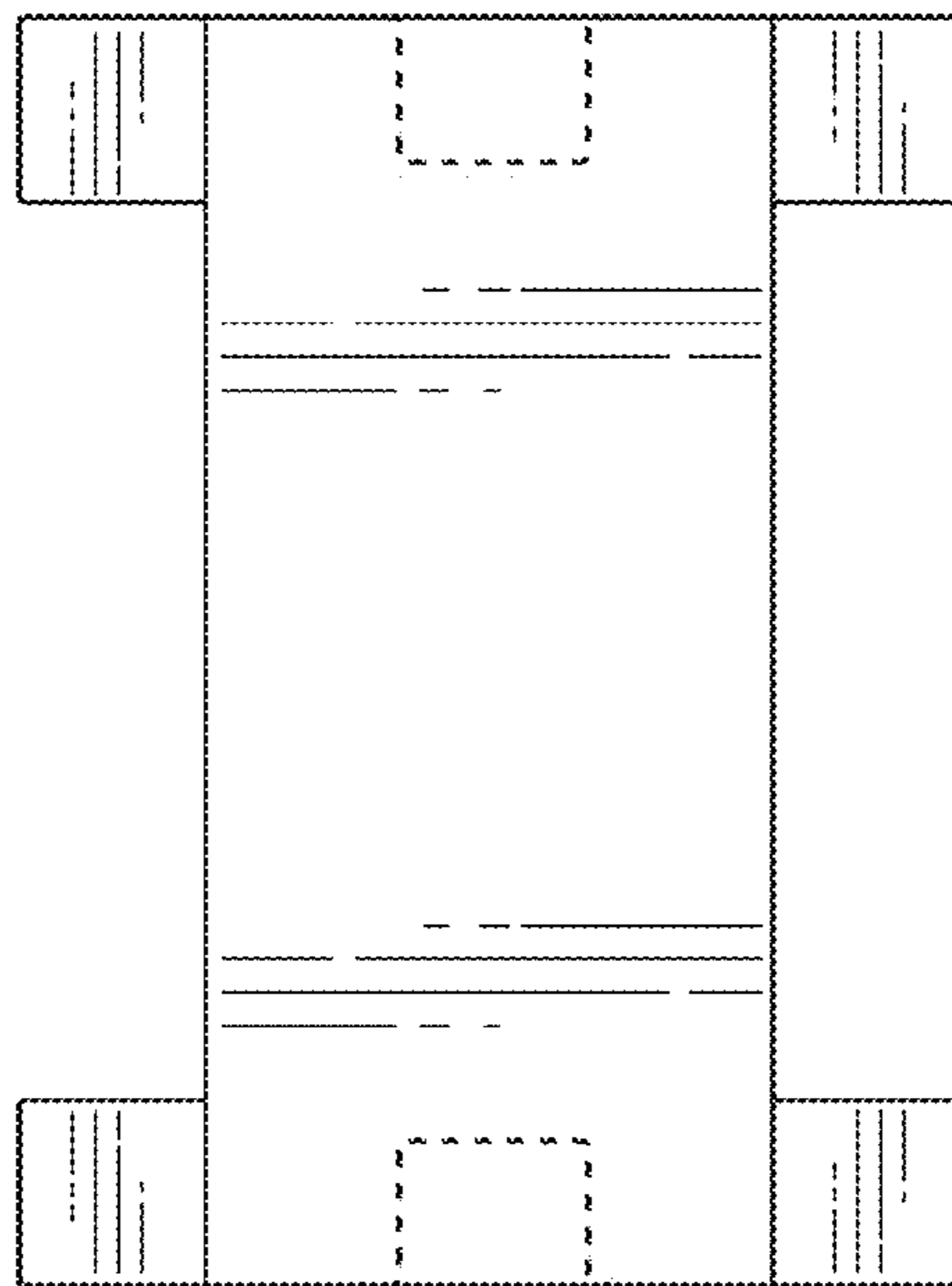


FIG. 5

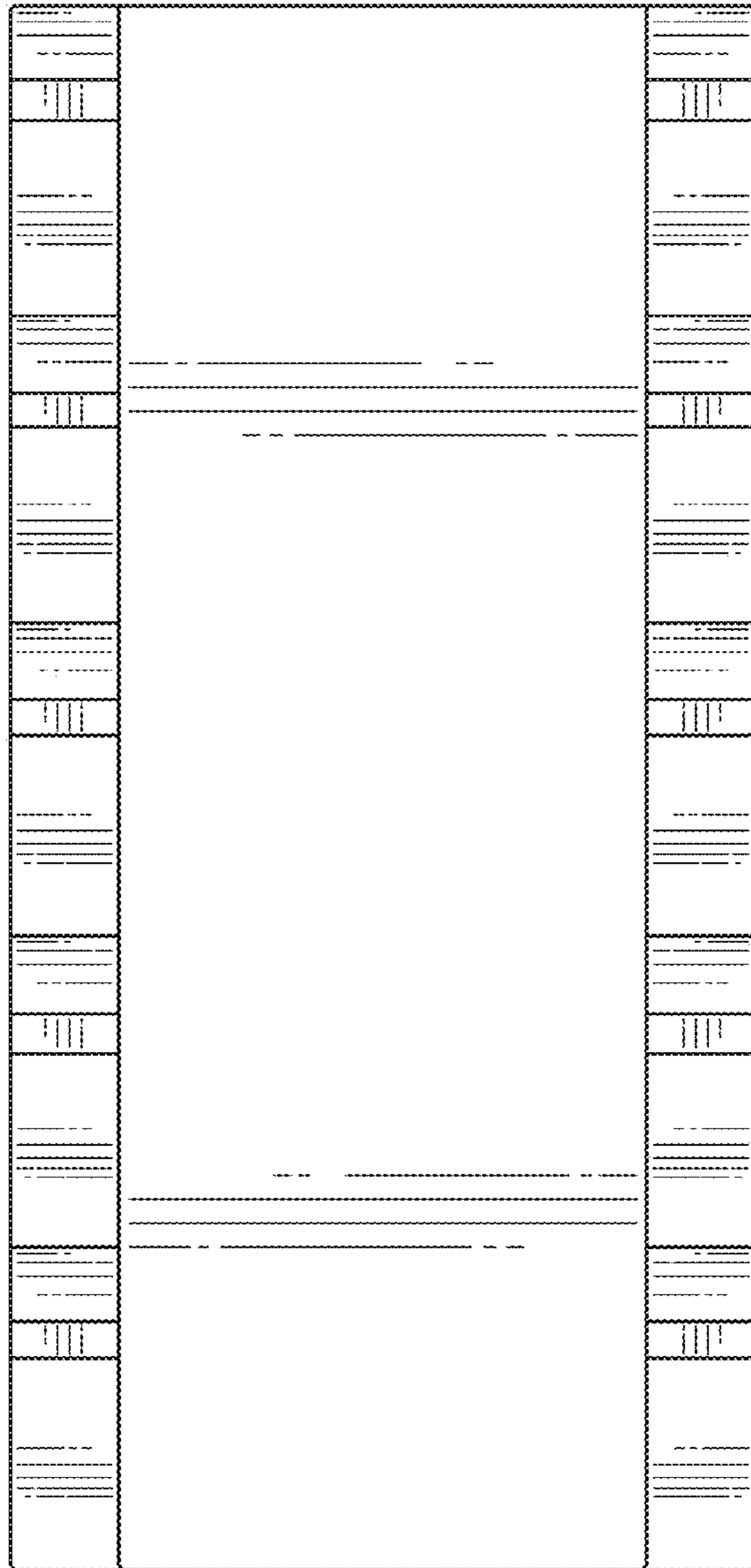


FIG. 6

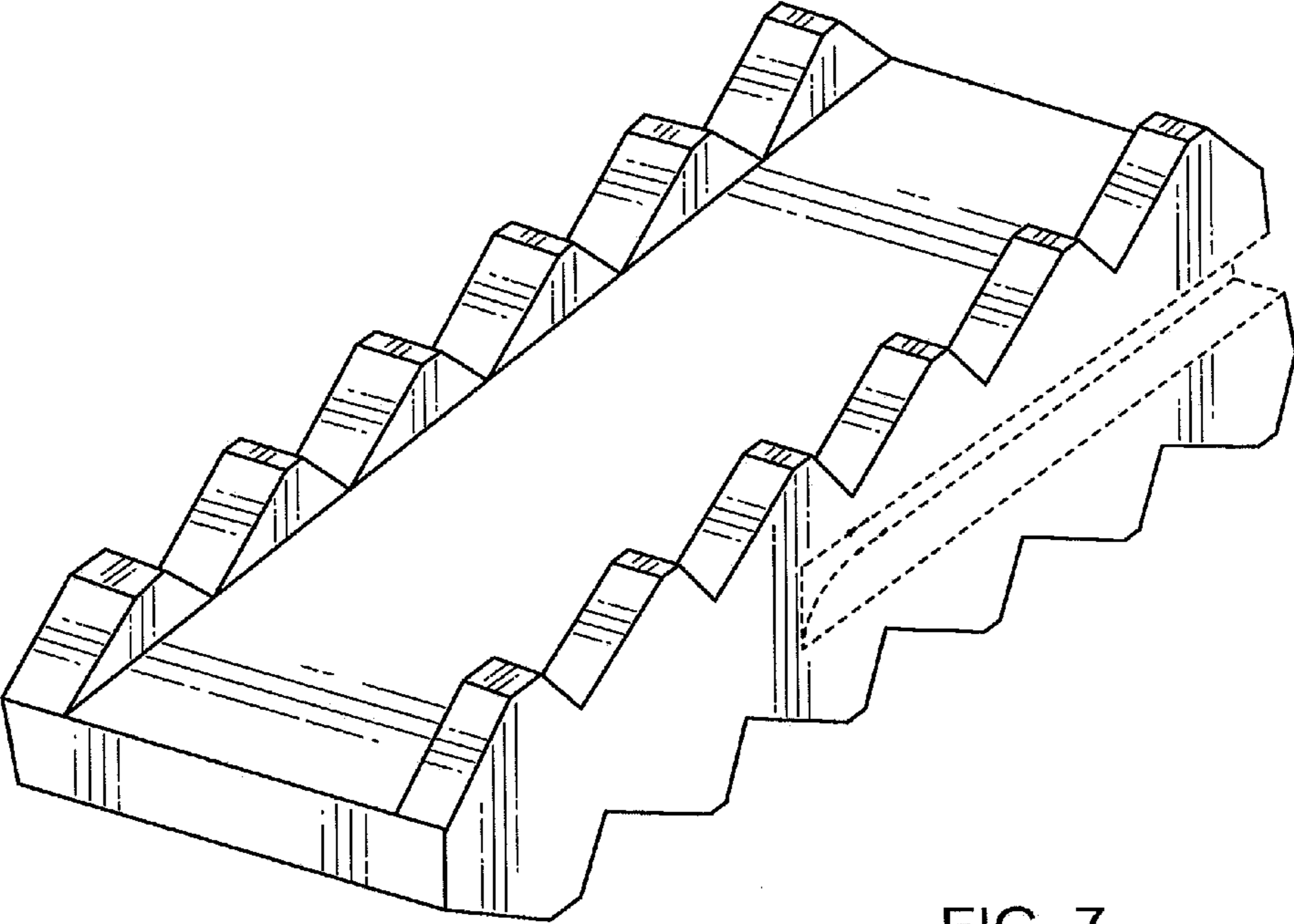


FIG. 7

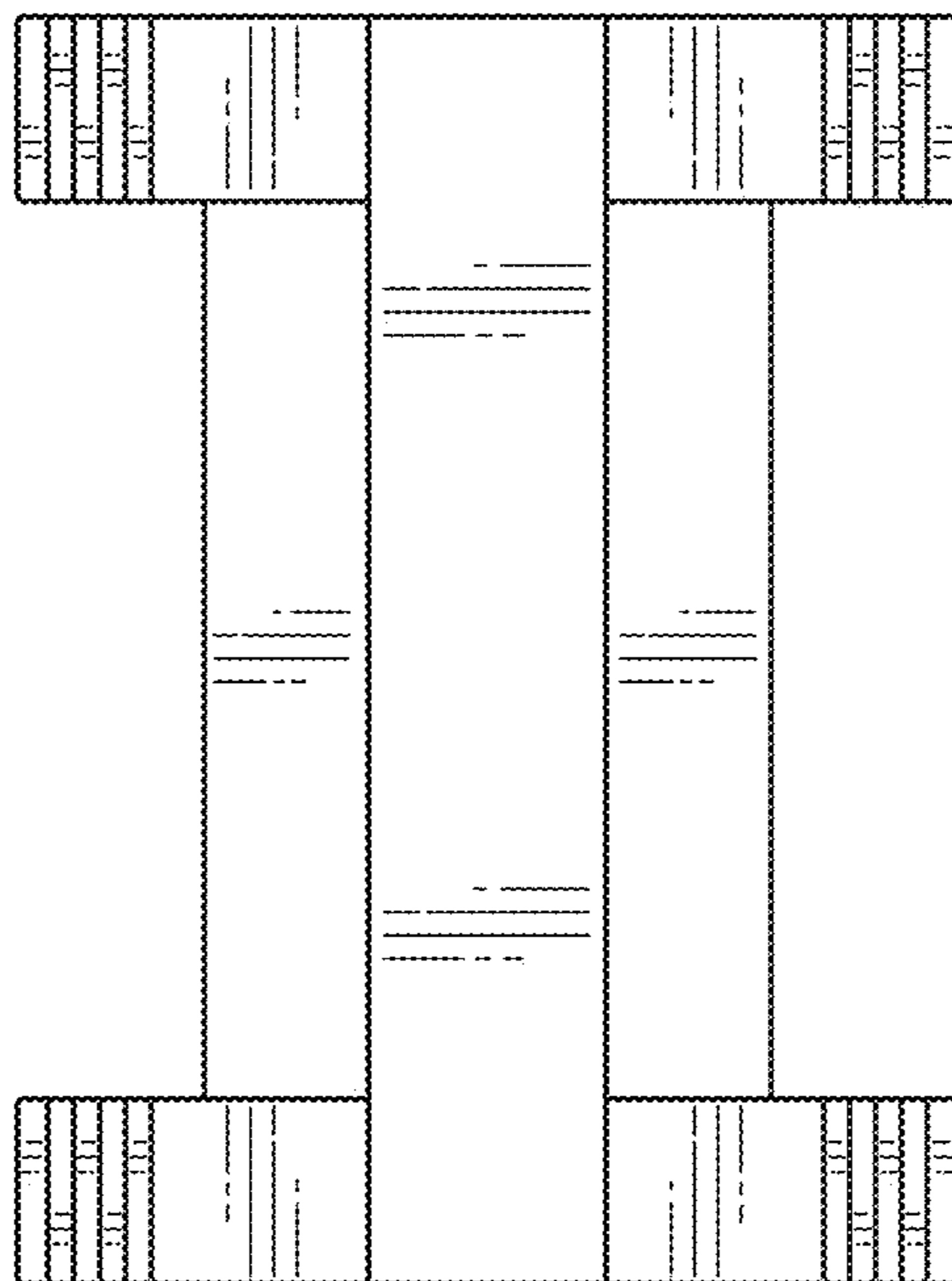


FIG. 8

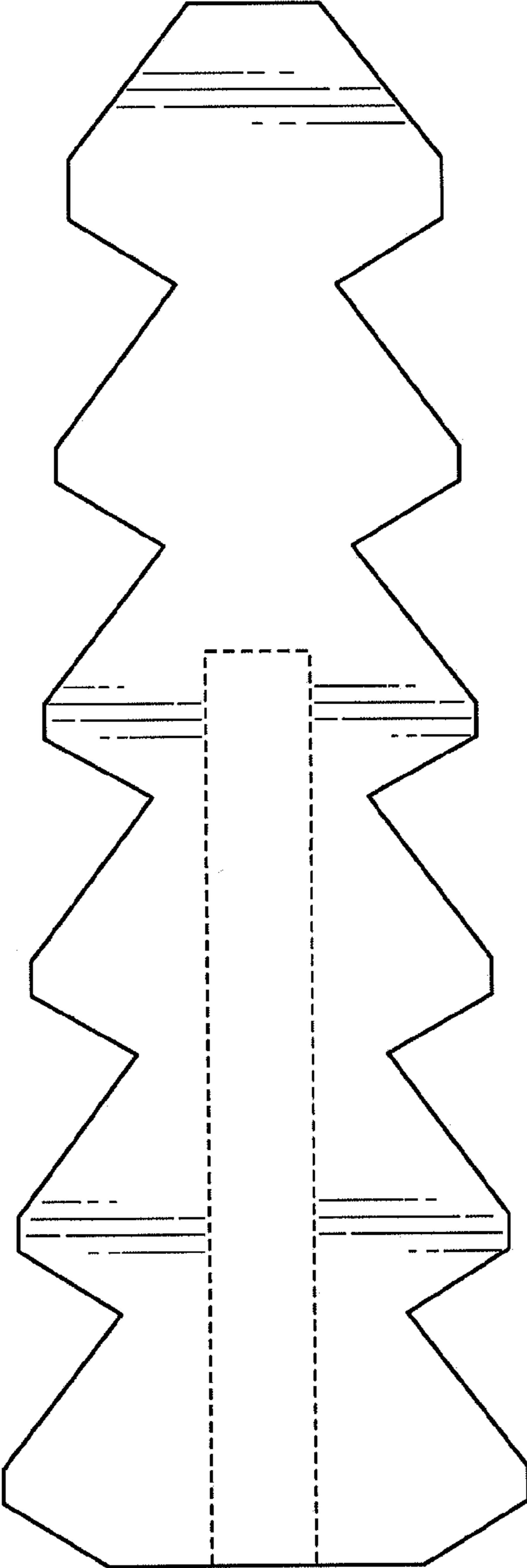


FIG. 9

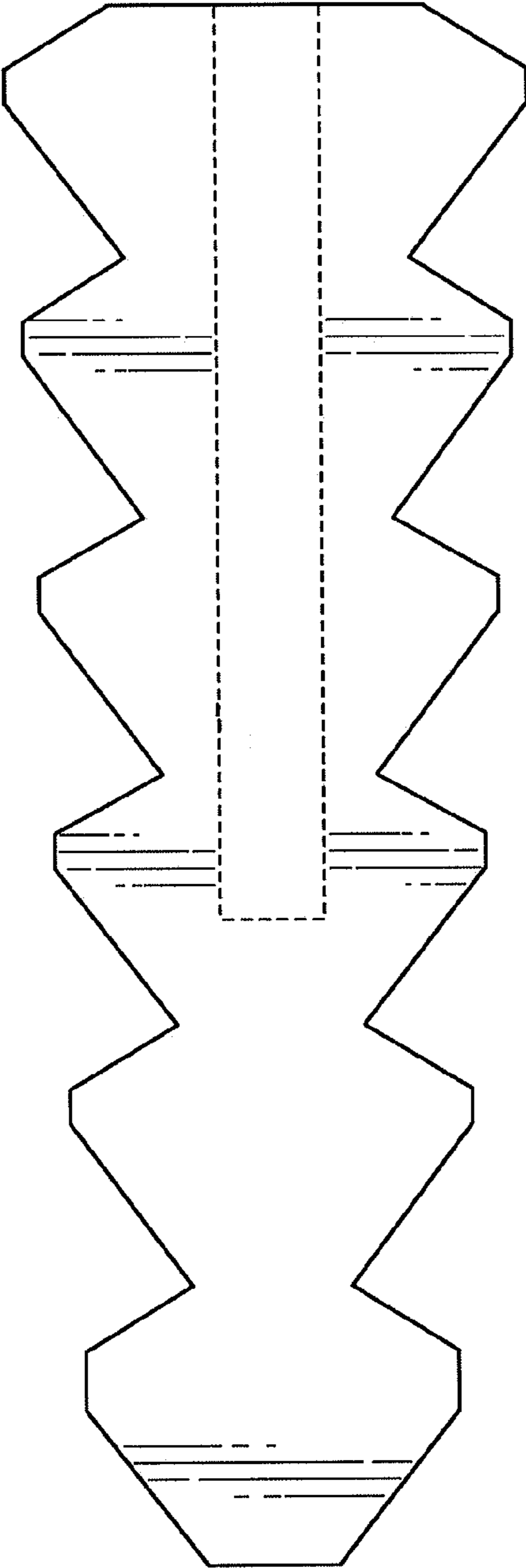


FIG. 10

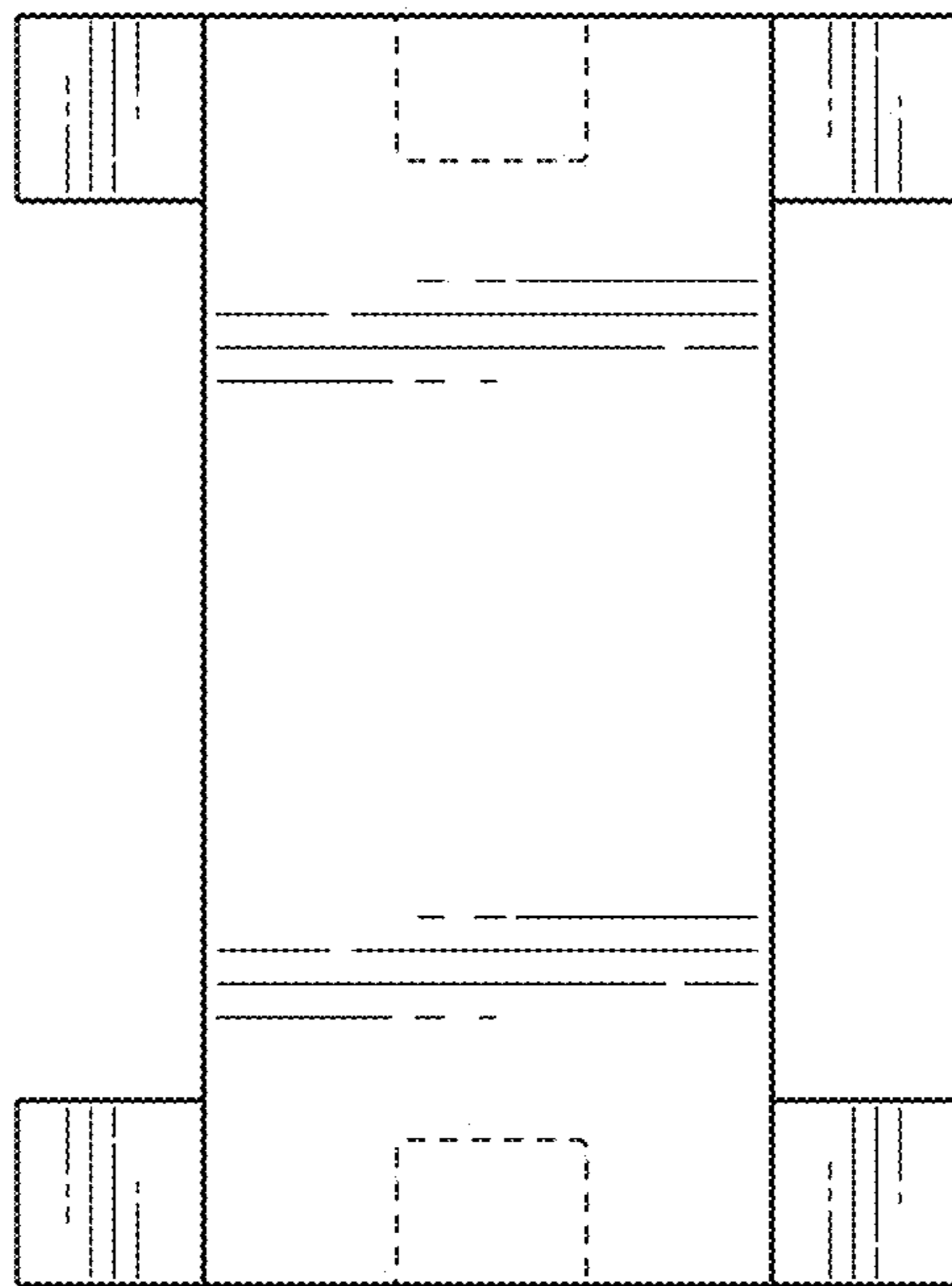


FIG. 11

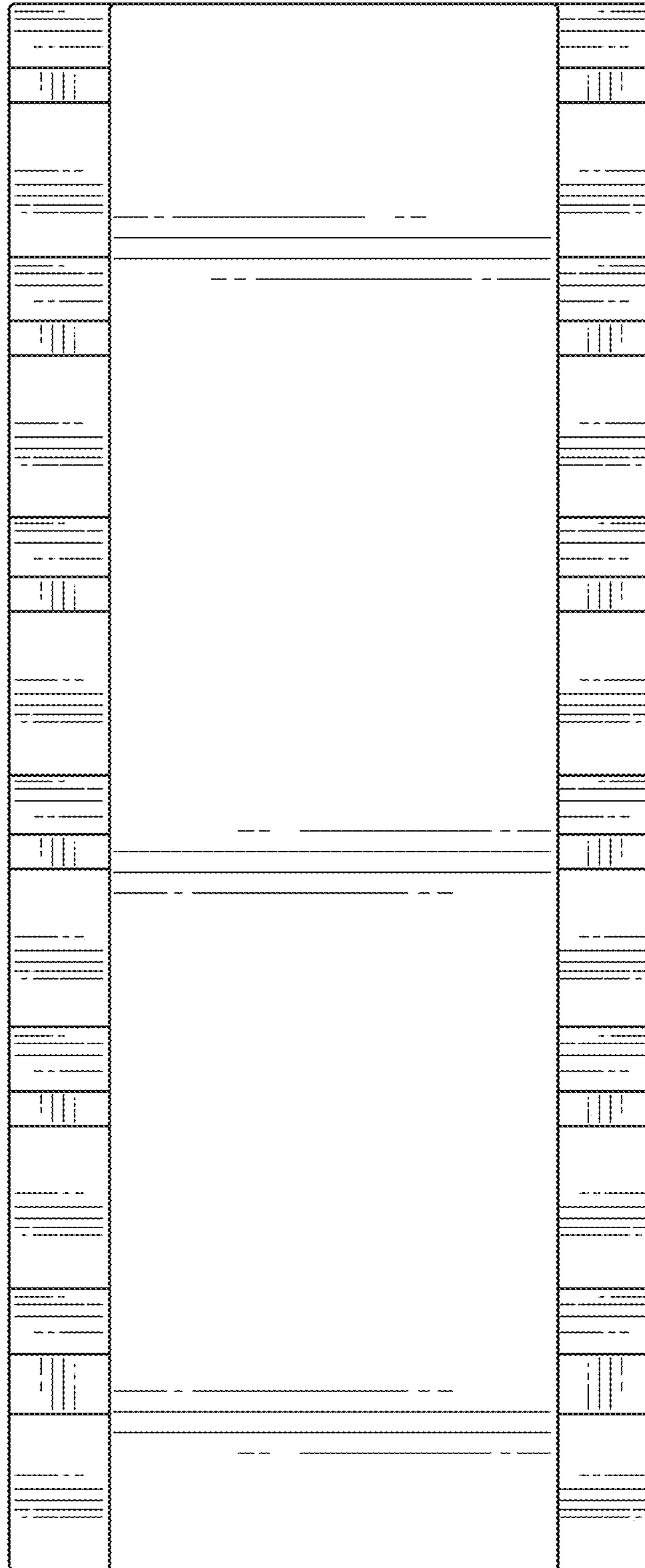


FIG. 12