



US00D745155S

(12) **United States Design Patent**
Severns

(10) **Patent No.:** **US D745,155 S**
(45) **Date of Patent:** **** Dec. 8, 2015**

- (54) **BLADE DISARMER**
- (71) Applicant: **Aspen Surgical Products, Inc.**,
Caledonia, MI (US)
- (72) Inventor: **Ryan Severns**, Plainwell, MI (US)
- (73) Assignee: **Aspen Surgical Products, Inc.**,
Caledonia, MI (US)
- (**) Term: **14 Years**
- (21) Appl. No.: **29/449,249**
- (22) Filed: **Mar. 14, 2013**
- (51) **LOC (10) Cl.** **24-02**
- (52) **U.S. Cl.**
USPC **D24/147**
- (58) **Field of Classification Search**
USPC D24/127, 133, 136.146–152, 172, 173,
D24/174, 176; 600/325, 110, 180; 606/79,
606/80; D9/718, 721, 735; 206/352–356
CPC A61B 1/05; A61B 1/07; A61B 17/1671;
A61B 17/1617; A61B 5/1459; A45D 27/225;
B65D 83/10
See application file for complete search history.

(56) **References Cited**

U.S. PATENT DOCUMENTS

4,120,397 A	10/1978	Neumann	
4,168,777 A	9/1979	Gaskell et al.	
4,180,162 A	12/1979	Magney	
4,270,416 A	6/1981	Thompson	
4,318,473 A	3/1982	Sandel	
4,386,457 A	6/1983	Coombs	
4,395,807 A	8/1983	Eldridge, Jr. et al.	
4,466,539 A	8/1984	Frauenhoffer	
4,730,376 A	3/1988	Yamada	
4,746,016 A	5/1988	Pollak et al.	
4,903,390 A	2/1990	Vidal et al.	
4,998,334 A	3/1991	Pemberton et al.	
D319,873 S *	9/1991	Rouse D24/147

5,088,173 A	2/1992	Kromer et al.	
D328,026 S *	7/1992	Stenstrom D9/721
5,163,553 A	11/1992	Cantwell et al.	
D349,204 S *	8/1994	Lefebvre D6/476
5,449,068 A	9/1995	Gharibian	
D366,527 S *	1/1996	Paterson D24/158
D372,782 S *	8/1996	Spehalski D24/133
5,662,221 A *	9/1997	Abidin et al. 206/354
5,667,067 A	9/1997	Gabriel	
5,699,908 A	12/1997	Frye et al.	
5,706,942 A	1/1998	Vila et al.	
5,729,879 A	3/1998	Hoftman	
5,875,532 A	3/1999	Musgrave	

(Continued)

Primary Examiner — Robert M Spear

Assistant Examiner — Marissa J Cash

(74) *Attorney, Agent, or Firm* — Price Heneveld LLP

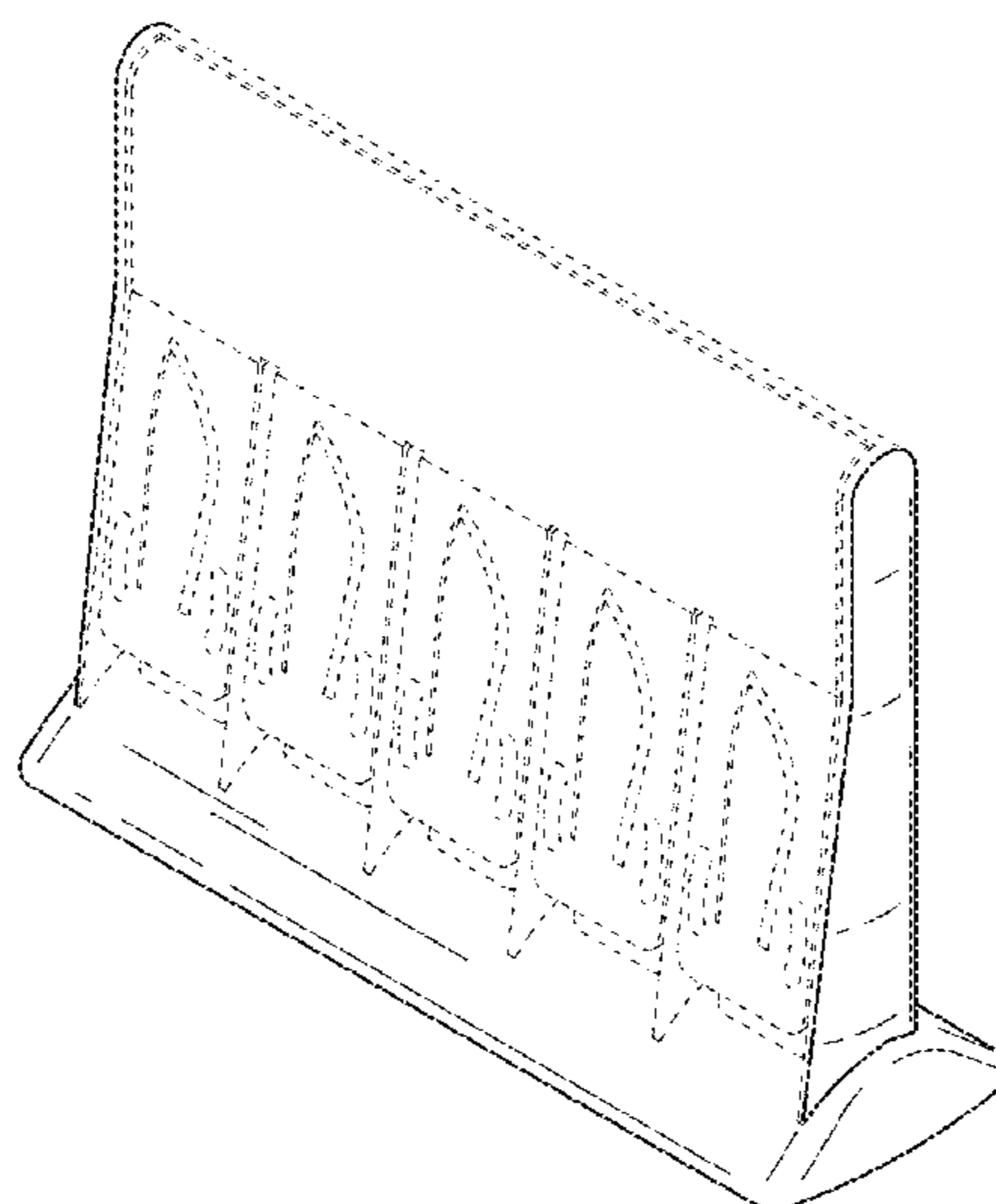
(57) **CLAIM**

I claim the ornamental design for a blade disarmer, as shown and described.

DESCRIPTION

FIG. 1 is a front perspective view of a blade disarmer; FIG. 2 is a rear perspective view of the blade disarmer of FIG. 1; FIG. 3 is a front elevational view of the blade disarmer of FIG. 1; FIG. 4 is a rear elevational view of the blade disarmer of FIG. 1; FIG. 5 is a side elevational view of the blade disarmer of FIG. 1; FIG. 6 is a top plan view of the blade disarmer of FIG. 1; and, FIG. 7 is a bottom plan view of the blade disarmer of FIG. 1. The broken lines in the drawings represent unclaimed environmental subject matter and form no part of the claim. The shaded surfaces comprise the claimed design and the broken lines adjacent shaded surfaces represent boundaries of the claim.

1 Claim, 3 Drawing Sheets



(56)

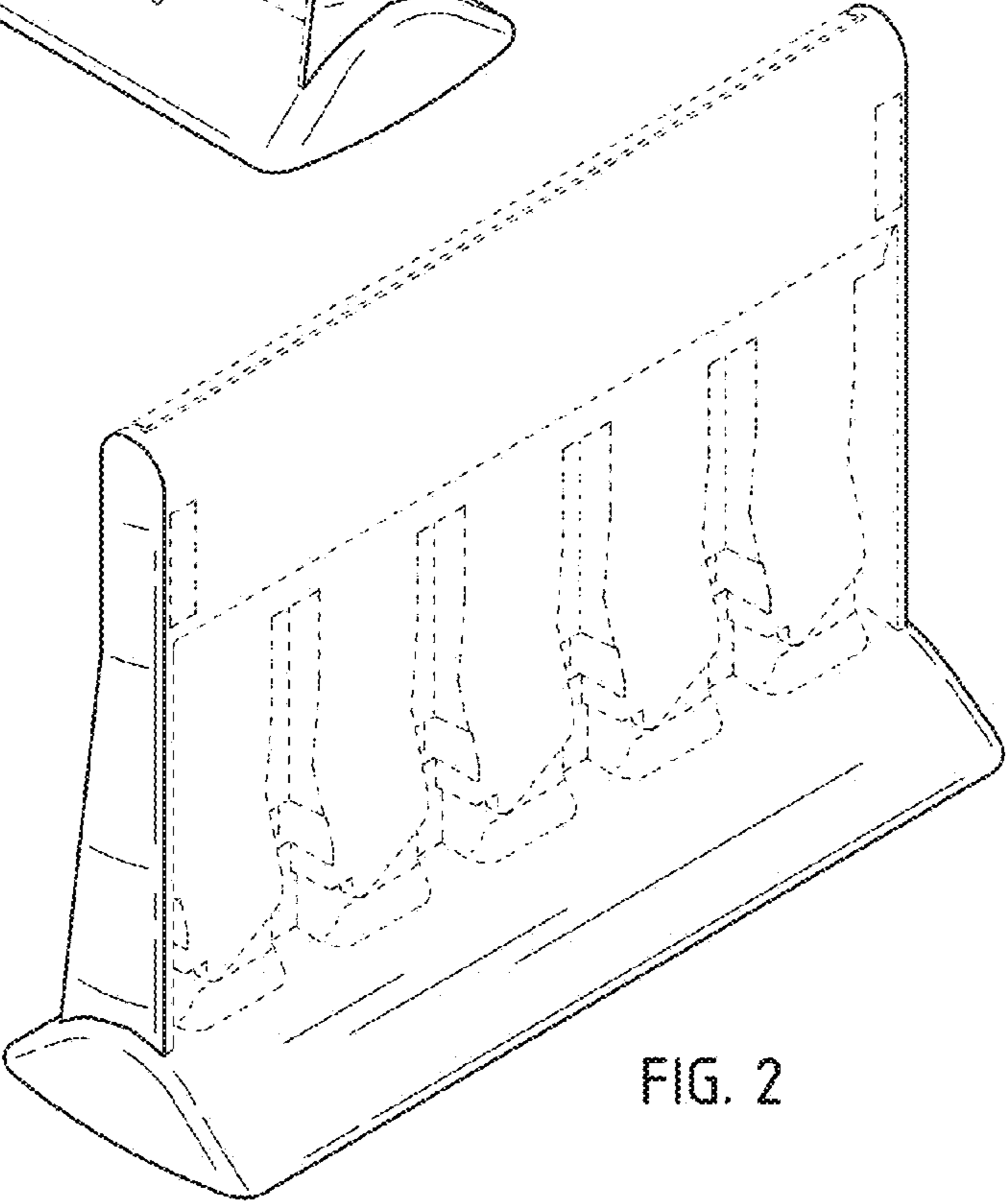
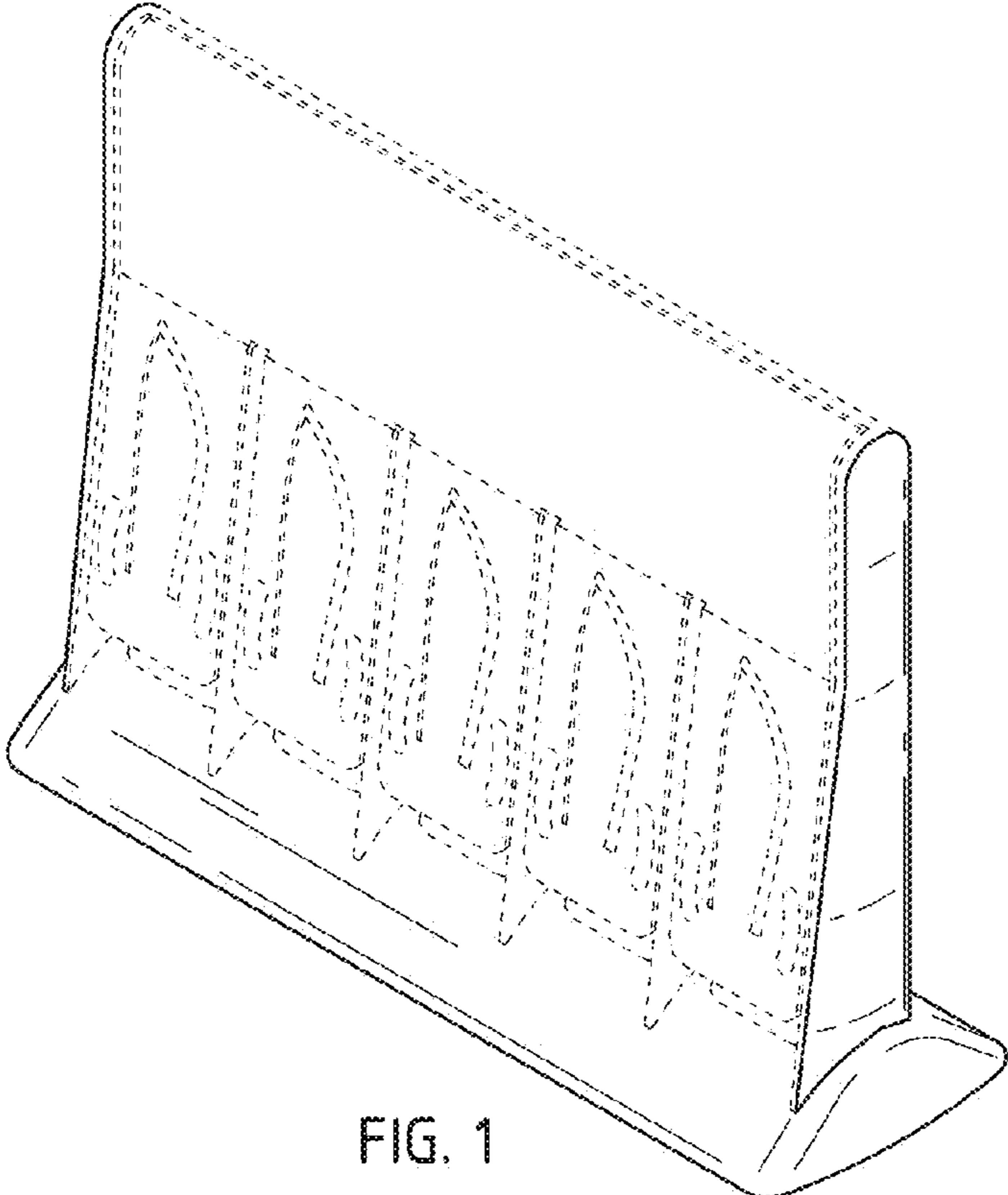
References Cited

U.S. PATENT DOCUMENTS

5,875,533 A 3/1999 Henry
5,938,027 A 8/1999 Soroff et al.
6,216,868 B1 4/2001 Rastegar et al.
7,036,660 B1 5/2006 Abidin et al.

7,155,795 B2 1/2007 Abidin et al.
7,398,880 B2 * 7/2008 Henry 206/355
D583,821 S * 12/2008 Richter D14/447
D703,626 S * 4/2014 Hermansen D14/126
2007/0039844 A1 2/2007 Zyzelewski et al.

* cited by examiner



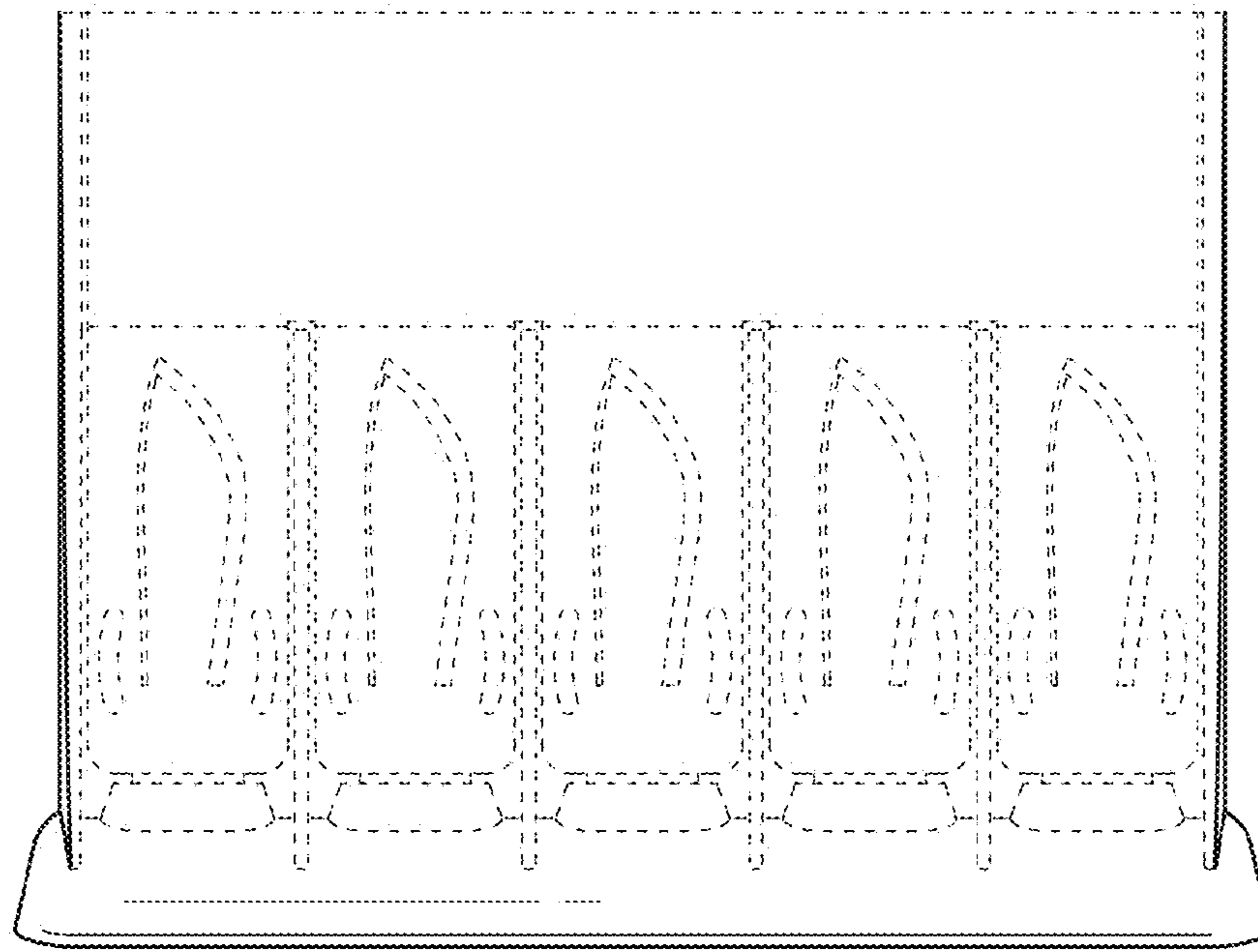


FIG. 3

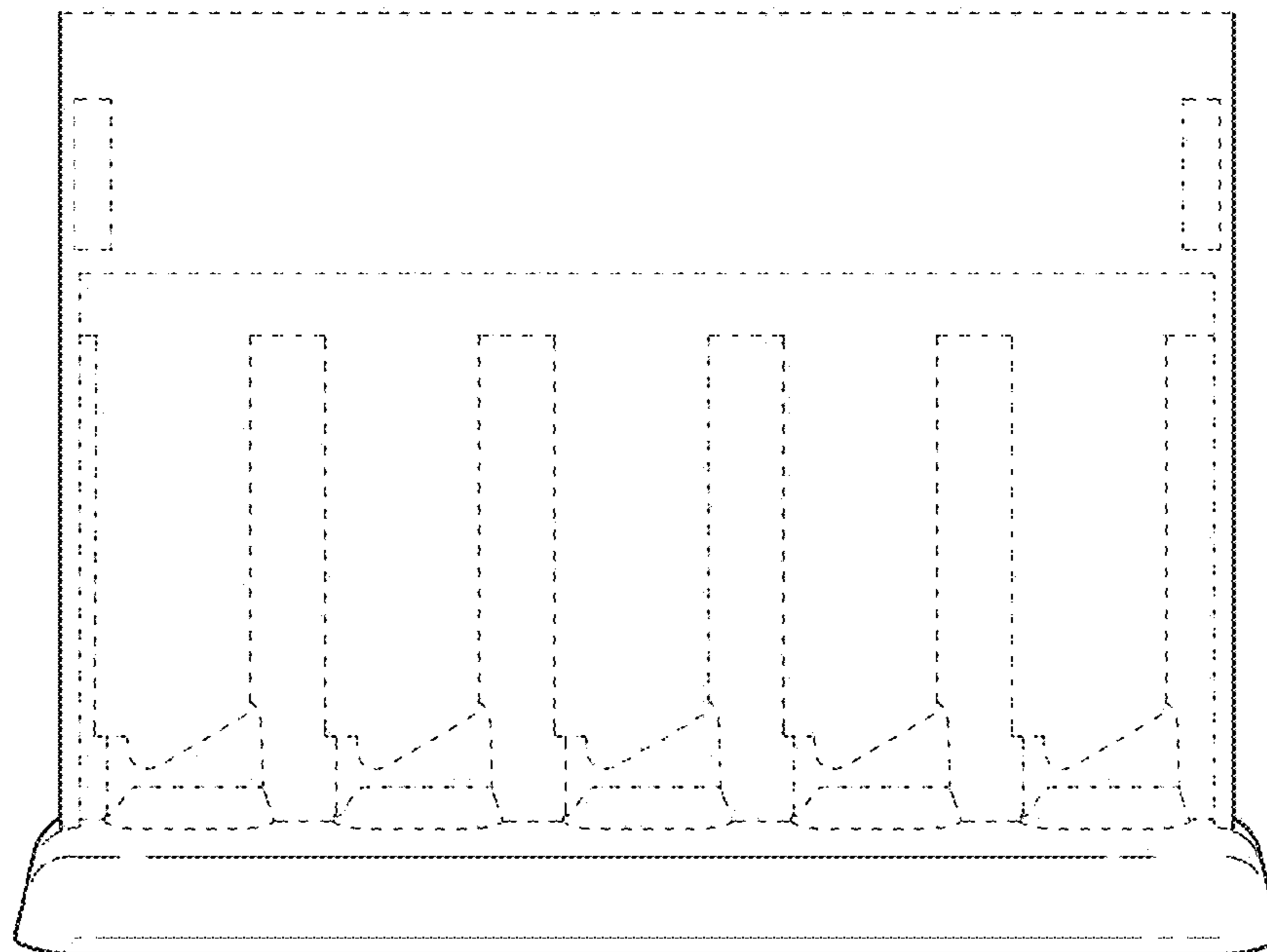


FIG. 4

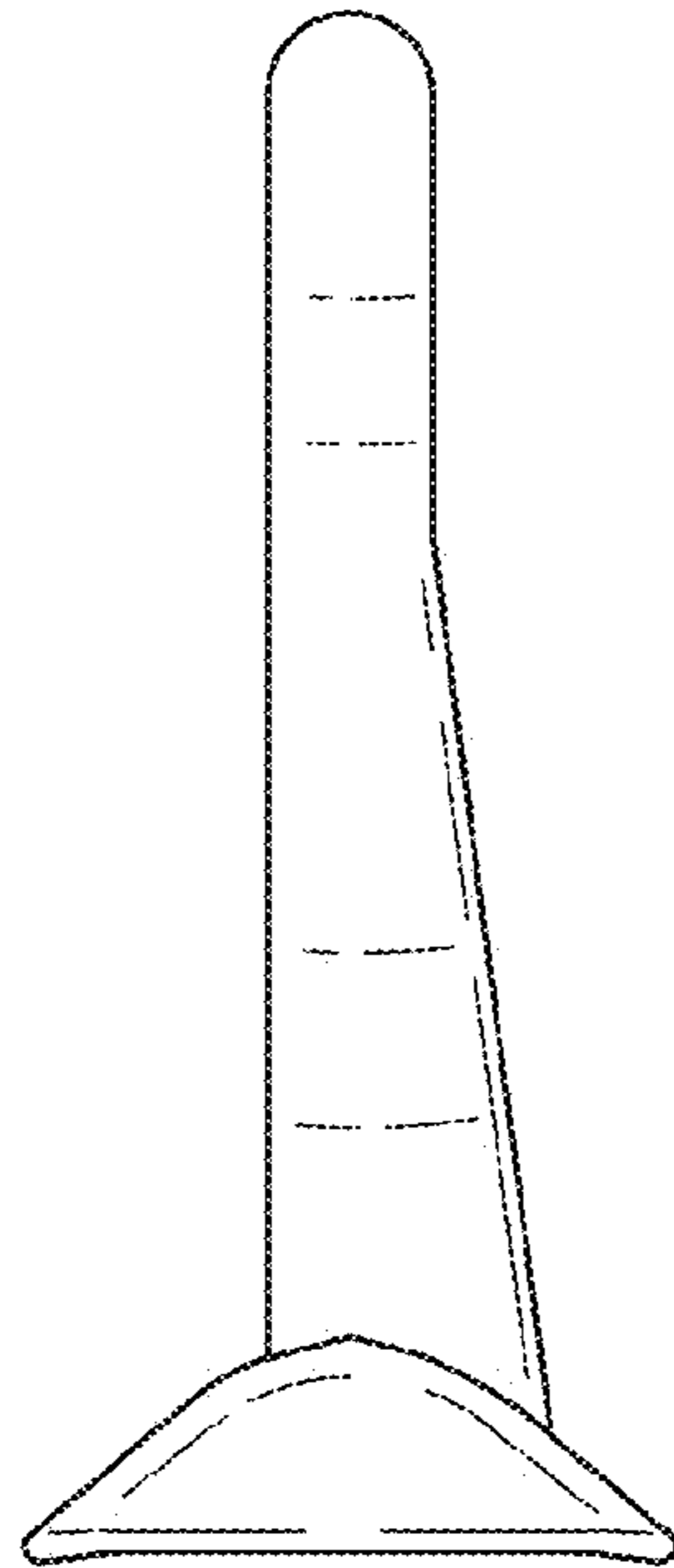


FIG. 5

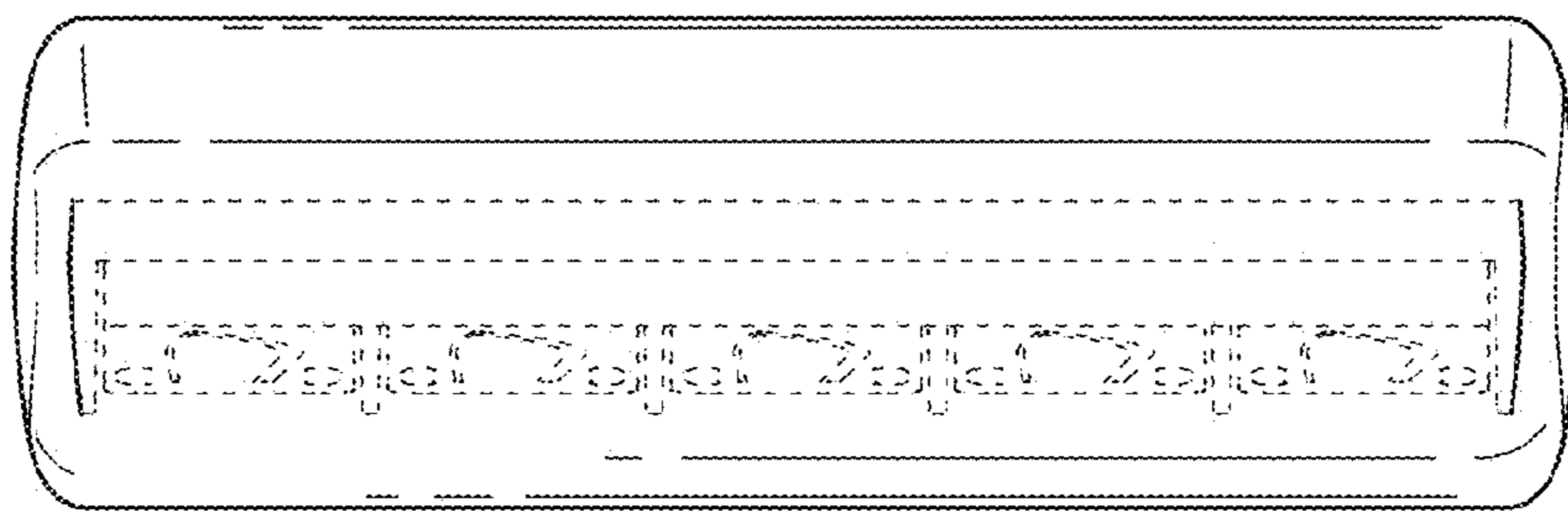


FIG. 6

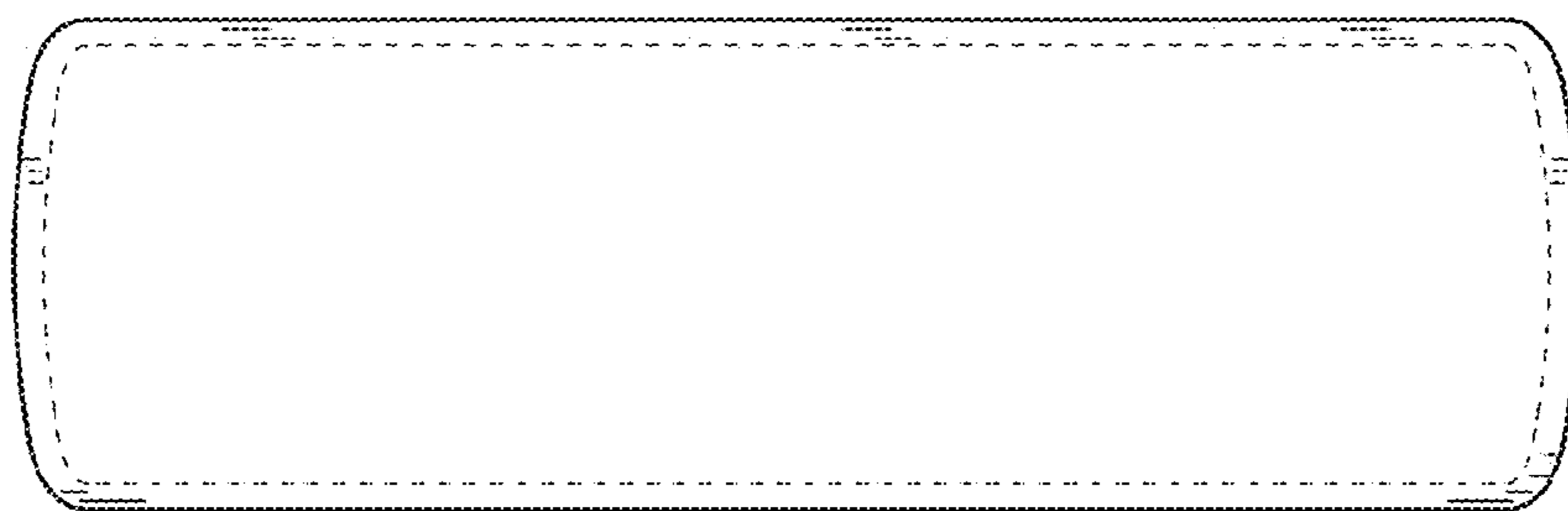


FIG. 7