



US00D745154S

(12) **United States Design Patent**
Pace

(10) **Patent No.:** **US D745,154 S**

(45) **Date of Patent:** **** Dec. 8, 2015**

(54) **DENTAL EXPLORER TOOL**

(71) Applicant: **Cherin Claire Pace**, Little Rock, AR
(US)

(72) Inventor: **Cherin Claire Pace**, Little Rock, AR
(US)

(**) Term: **14 Years**

(21) Appl. No.: **29/511,133**

(22) Filed: **Dec. 8, 2014**

(51) **LOC (10) Cl.** **24-02**

(52) **U.S. Cl.**
USPC **D24/146; D24/152**

(58) **Field of Classification Search**
USPC D24/152, 133, 146, 176; 433/144, 141
CPC A61C 3/00; A61C 3/14; A61C 17/20;
B23Q 1/0036
See application file for complete search history.

(56) **References Cited**

U.S. PATENT DOCUMENTS

D249,062 S * 8/1978 Crafoord et al. D24/147
D259,660 S * 6/1981 Sosnay D24/154
4,988,295 A * 1/1991 Kline 433/141

5,024,600 A * 6/1991 Kline 433/82
5,127,833 A * 7/1992 Kline 433/143
5,169,314 A * 12/1992 Long 433/143
D359,122 S * 6/1995 Kountis D24/152
5,682,665 A * 11/1997 Svanberg 433/143
6,042,378 A * 3/2000 Fischer et al. 433/141
6,109,918 A * 8/2000 Hammond et al. 433/141
6,579,094 B2 * 6/2003 Cozzi 433/141
8,007,278 B2 * 8/2011 Chao 433/144
2006/0257820 A1 * 11/2006 Davis 433/141

* cited by examiner

Primary Examiner — Wan Laymon

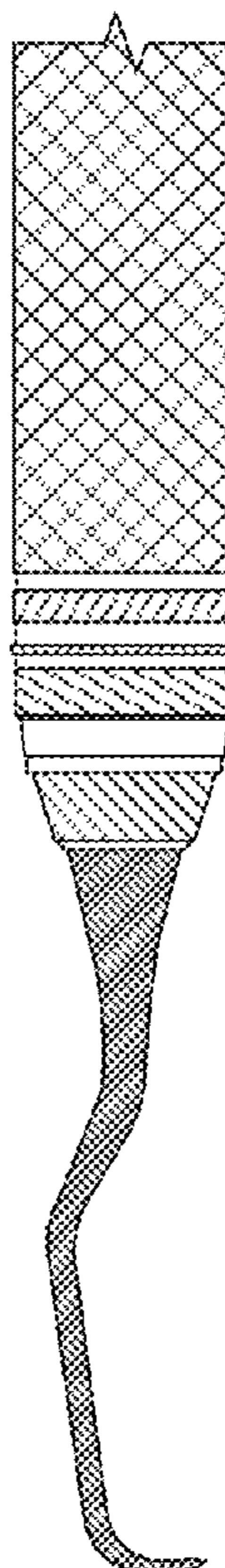
(57) **CLAIM**

The ornamental design for a dental explorer tool, as shown and described.

DESCRIPTION

FIG. 1 is a side view of a dental explorer tool;
FIG. 2 is a side view of a dental explorer tool rotated ninety degrees from FIG. 1; and,
FIG. 3 is a top view of a dental explorer tool.
Any shading and cross-hatching are not features of the design but are utilized to illustrate surface contours of the dental explorer tool in the drawings.

1 Claim, 3 Drawing Sheets



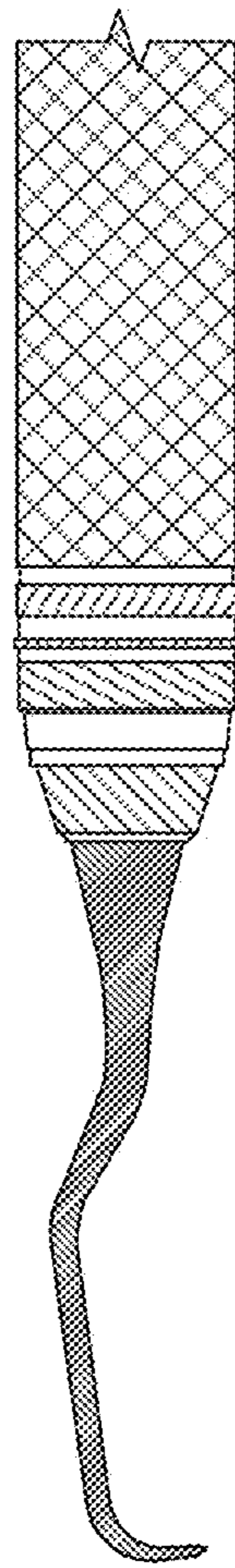


FIG. 1

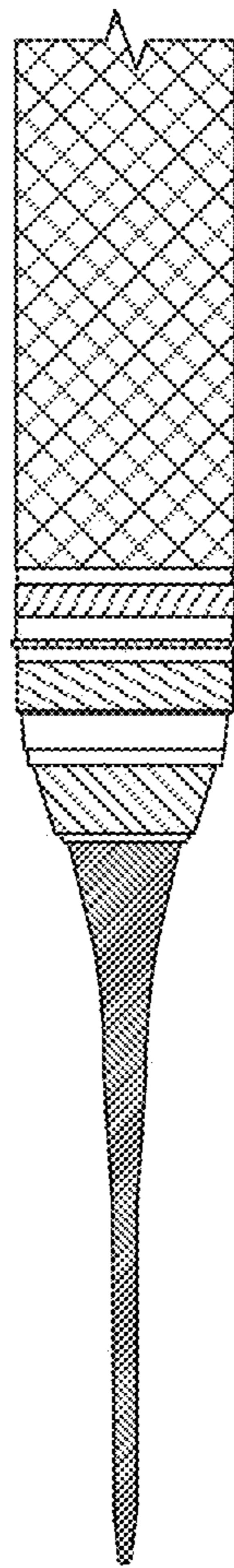


FIG. 2

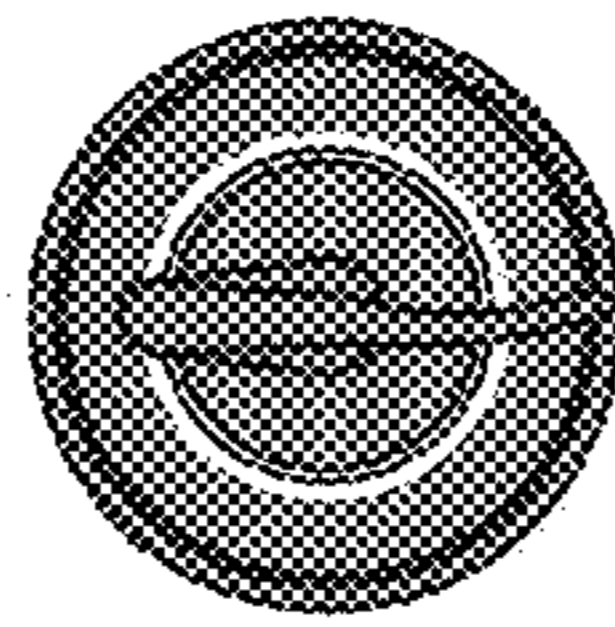


FIG. 3