



US00D745153S

(12) **United States Design Patent**  
**Dowdell**

(10) **Patent No.:** **US D745,153 S**  
(45) **Date of Patent:** **\*\* Dec. 8, 2015**

- (54) **CELLULITE VACUUM HEAD**
- (71) Applicant: **Riiviva LLC**, Holladay, UT (US)
- (72) Inventor: **Travis Dowdell**, Holladay, UT (US)
- (73) Assignee: **Riiviva LLC**, Holladay, UT (US)
- (\*\*) Term: **14 Years**
- (21) Appl. No.: **29/472,409**
- (22) Filed: **Nov. 12, 2013**
- (51) **LOC (10) Cl.** ..... **26-02**
- (52) **U.S. Cl.**  
USPC ..... **D24/146; D24/108**
- (58) **Field of Classification Search**  
USPC ..... D24/146, 147, 107, 108, 133; 34/92;  
220/231; 606/185; 604/119, 176, 317,  
604/319, 326; 600/562, 565-567; D7/538,  
D7/543  
CPC ..... A61Q 19/06; A61B 17/00; A61B  
2017/00561; A61B 2017/00535  
See application file for complete search history.

5,935,136	A *	8/1999	Hulse et al.	606/123
D437,052	S *	1/2001	Newsom	D24/129
6,179,845	B1 *	1/2001	Peters et al.	606/123
D552,625	S *	10/2007	Saunders et al.	D15/7
D556,895	S *	12/2007	Thom et al.	D24/108
D566,832	S *	4/2008	Thom et al.	D24/108
D574,485	S *	8/2008	Kim	D24/108
7,476,231	B2 *	1/2009	Ross	606/123
2008/0058851	A1 *	3/2008	Edelstein et al.	606/185
2008/0125792	A1 *	5/2008	Giardina et al.	606/123

\* cited by examiner

*Primary Examiner* — Ian Simmons

*Assistant Examiner* — Carissa C Fitts

(74) *Attorney, Agent, or Firm* — Thorpe North & Western, LLP

(57) **CLAIM**

The ornamental design for a cellulite vacuum head, as shown and described.

**DESCRIPTION**

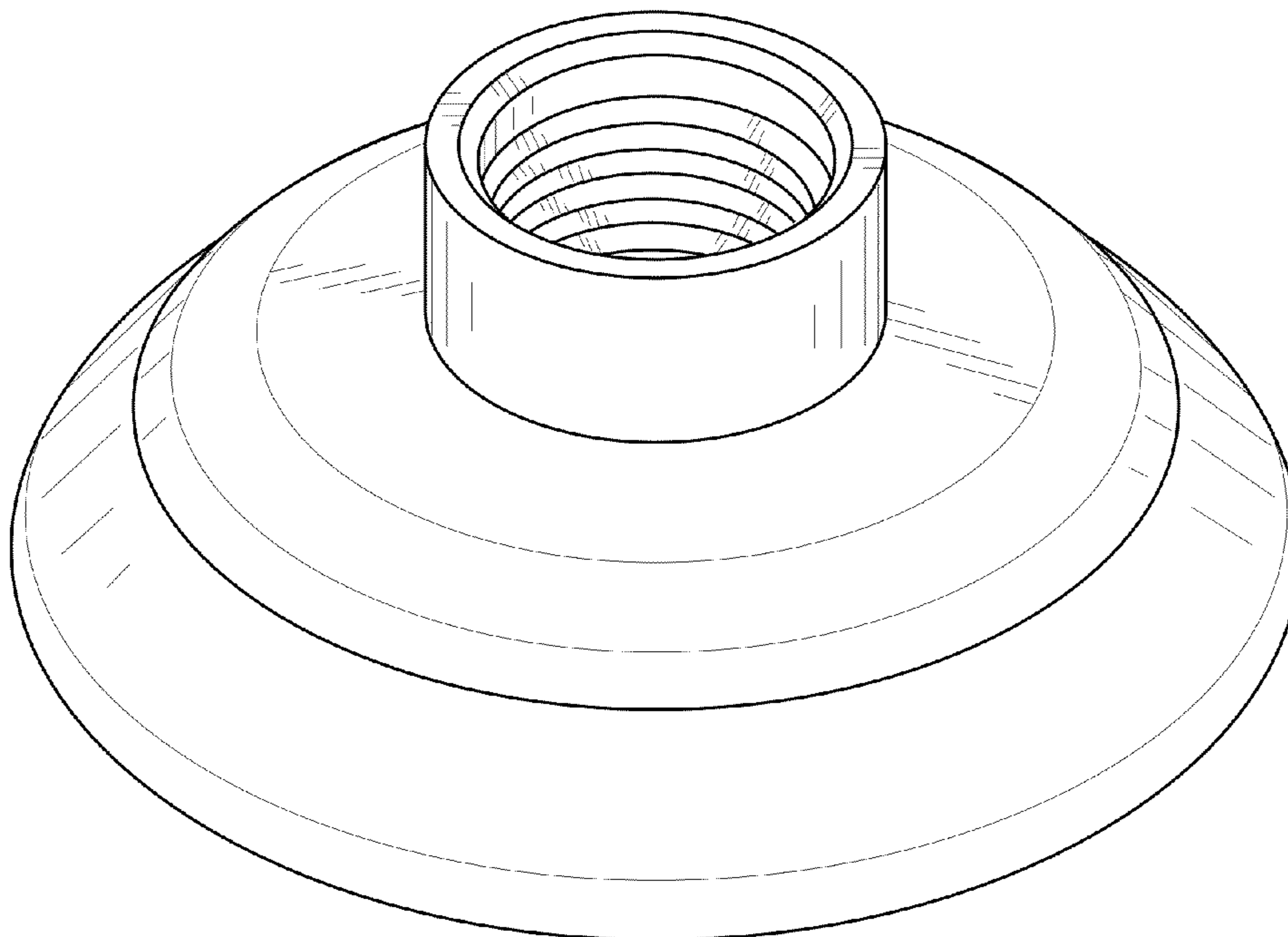
FIG. 1 is a bottom view of the vacuum head in accordance with my invention;  
 FIG. 2 is a perspective top view thereof;  
 FIG. 3 is a side view thereof, the left, right, front and rear views being identical;  
 FIG. 4 is a bottom plan view thereof, taken from a top of FIG. 1; and,  
 FIG. 5 is a top plan view thereof, taken from the bottom of FIG. 1 and top of FIG. 2.  
 The broken line showing represents portions of the article not claimed and forms no part of the claimed design.

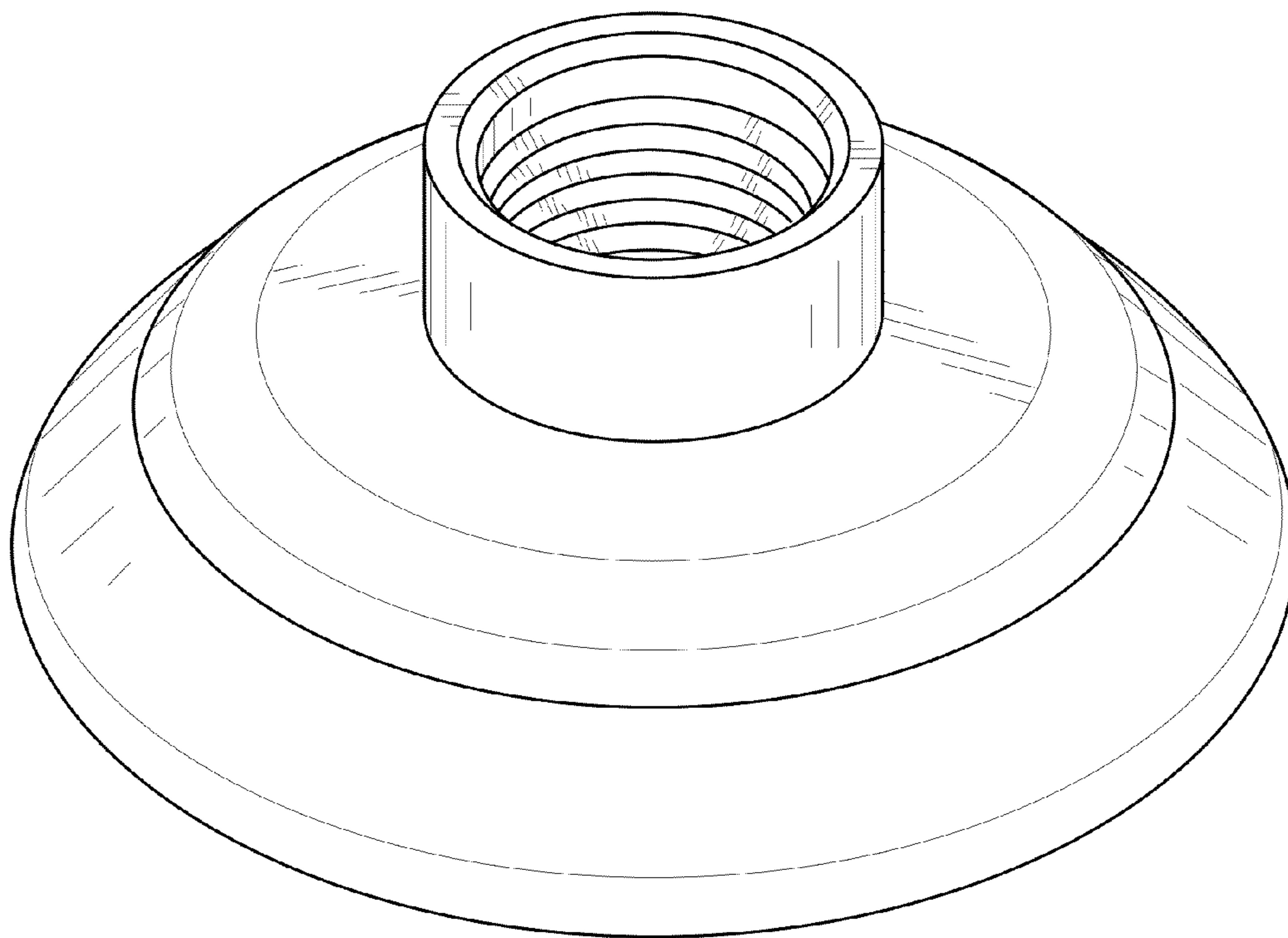
**1 Claim, 3 Drawing Sheets**

(56) **References Cited**

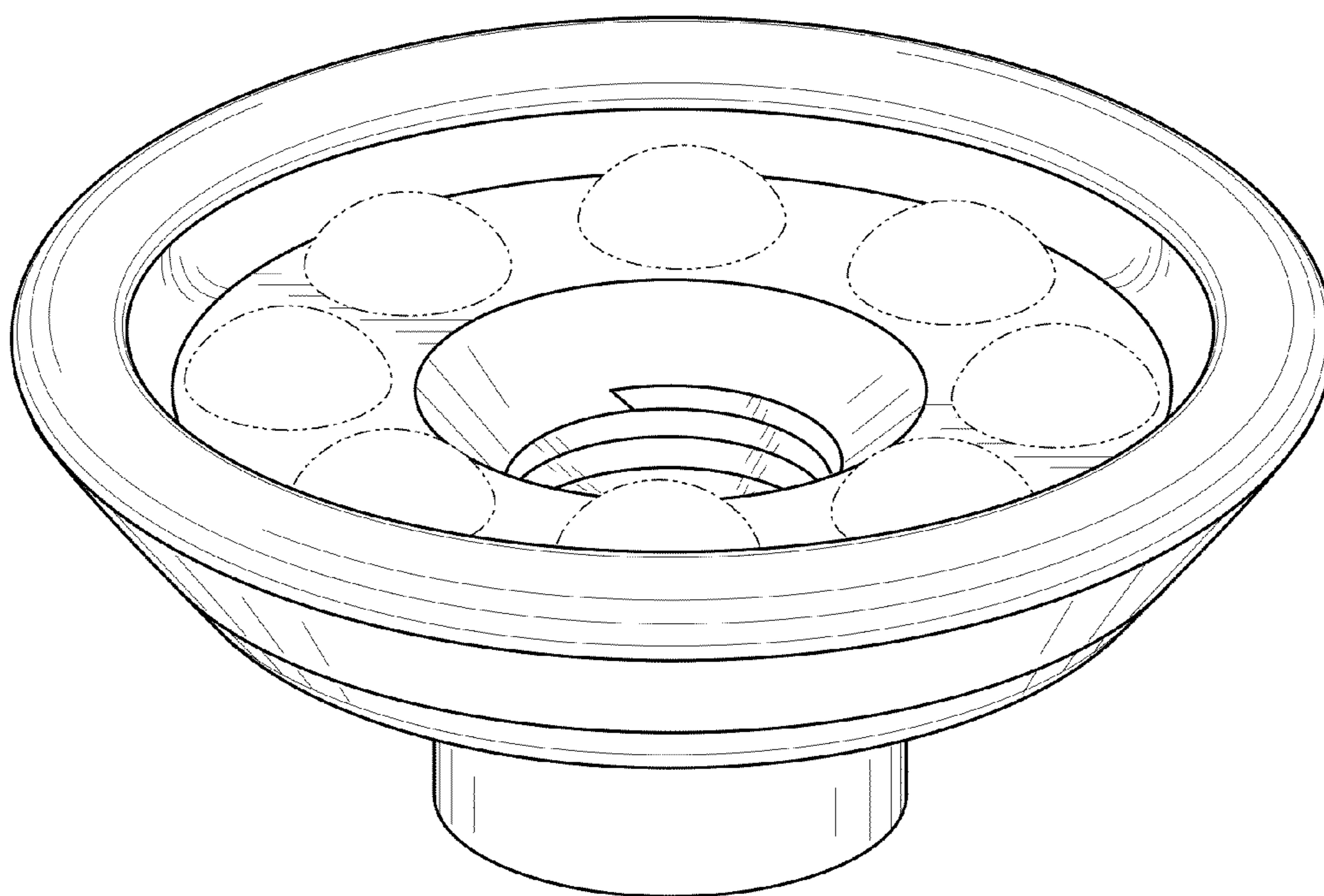
U.S. PATENT DOCUMENTS

2,159,096	A *	5/1939	Mitchell	601/7
D320,855	S *	10/1991	Smith et al.	D24/133
D322,483	S *	12/1991	Kishimoto	D24/200
5,163,944	A *	11/1992	Neward	606/123
D333,870	S *	3/1993	Wells	D24/169
5,195,427	A *	3/1993	Germano	99/472

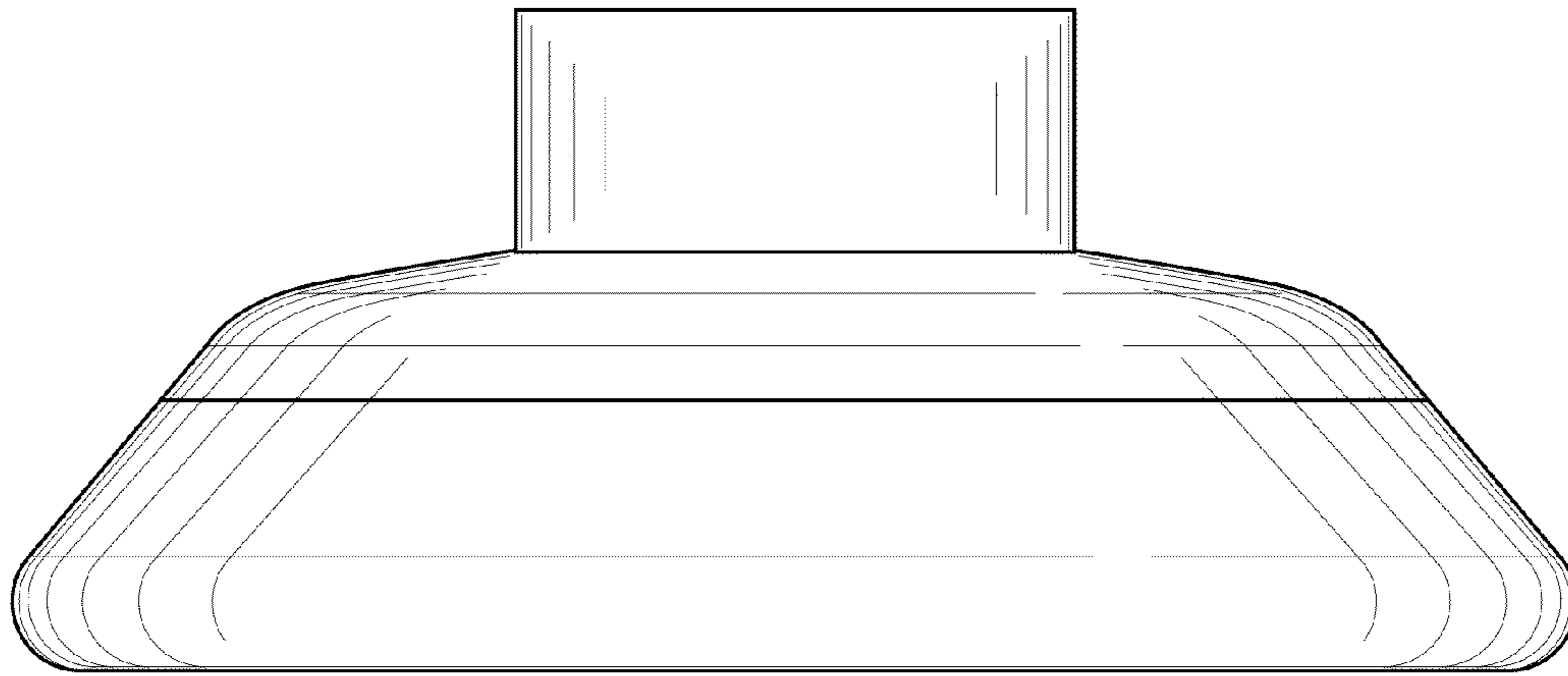




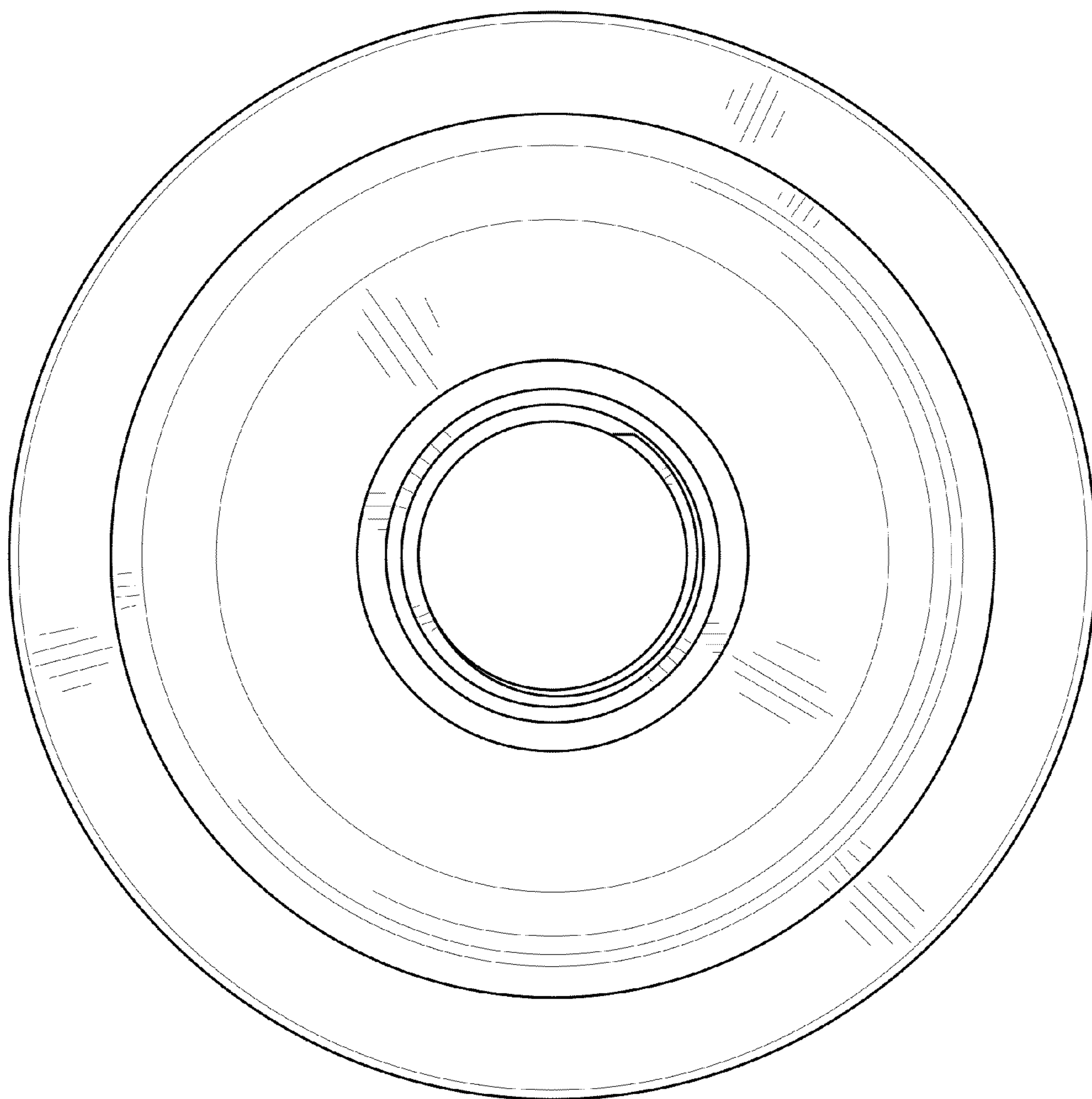
**FIG. 1**



**FIG. 2**

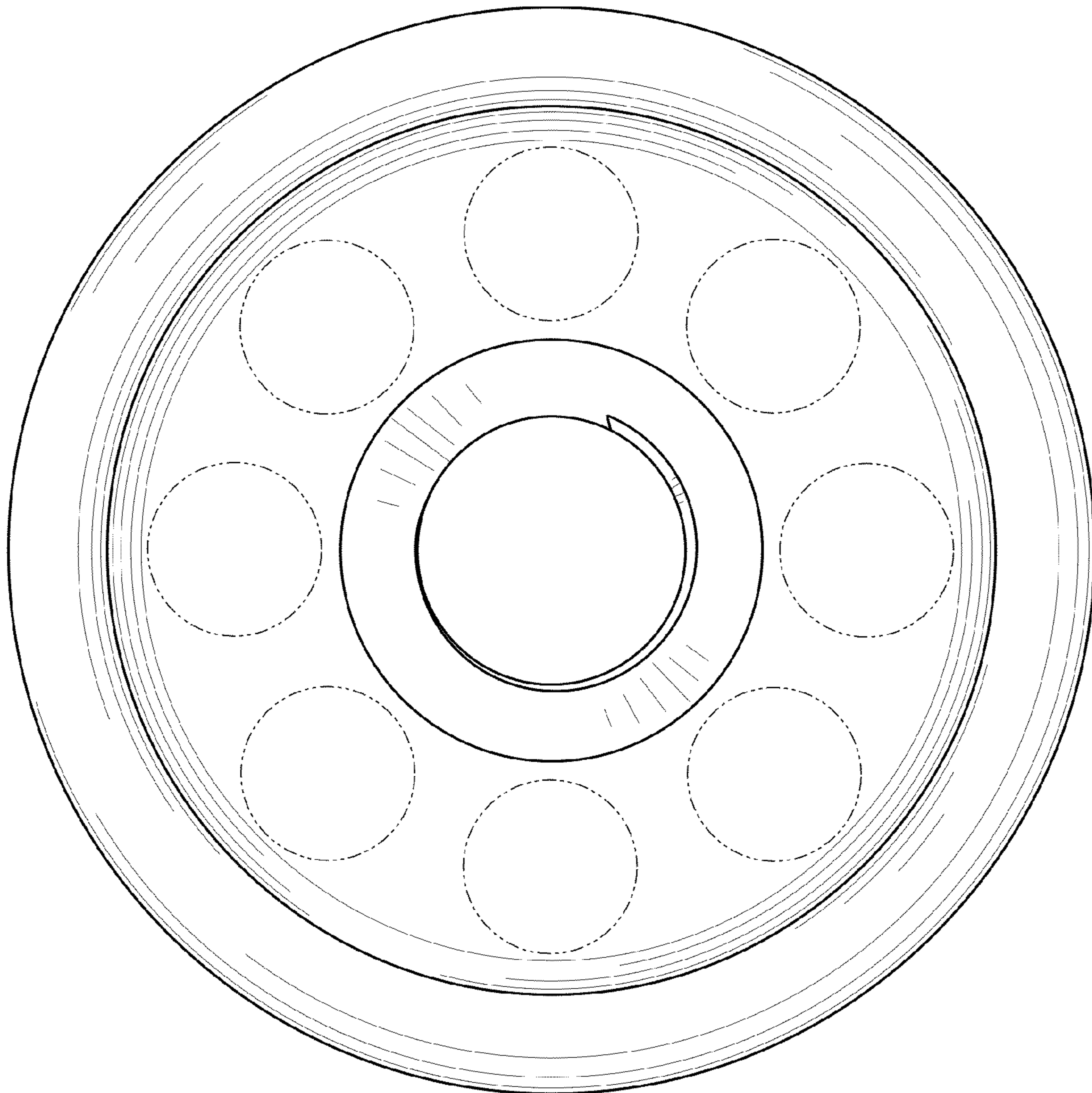


**FIG. 3**



**FIG. 4**





**FIG. 5**