



US00D745144S

(12) **United States Design Patent**
Aylmer

(10) **Patent No.:** **US D745,144 S**

(45) **Date of Patent:** **** Dec. 8, 2015**

(54) **SYRINGE CONCEALER**

(71) Applicant: **Danielle Aylmer**, Staten Island, NY
(US)

(72) Inventor: **Danielle Aylmer**, Staten Island, NY
(US)

(**) Term: **14 Years**

(21) Appl. No.: **29/489,184**

(22) Filed: **Apr. 28, 2014**

(51) **LOC (10) Cl.** **24-01**

(52) **U.S. Cl.**
USPC **D24/128**

(58) **Field of Classification Search**
USPC D24/112-114, 133, 186; 606/181, 185;
604/264, 272, 115, 232, 187, 158,
604/164.08, 192, 263, 163, 181, 184, 198,
604/227; 600/101, 139, 143; 128/200.24,
128/207.14, 207.15; D21/424, 427, 533,
D21/539, 540
CPC A61M 5/2033; A61M 2005/206;
A61M 5/326; A61M 5/3202; A61M 2005/208
See application file for complete search history.

(56) **References Cited**

U.S. PATENT DOCUMENTS

3,347,557 A * 10/1967 Cruson 280/828
D272,837 S * 2/1984 Appel et al. D21/427
D320,239 S * 9/1991 Kassai D21/424

D381,707 S * 7/1997 Petersson D21/540
D381,709 S * 7/1997 Petersson D21/540
D485,871 S * 1/2004 Horchler D21/424
D579,060 S * 10/2008 Brockmeyer D21/424
D589,851 S * 4/2009 Jane Santamaria D12/130
D639,351 S * 6/2011 Newmayer et al. D21/533
D643,479 S * 8/2011 Lai D21/424
D719,618 S * 12/2014 Herlitz et al. D21/424

* cited by examiner

Primary Examiner — David Muller

Assistant Examiner — Nathan Johnston

(74) *Attorney, Agent, or Firm* — Keith D. Nowak; Carter
Ledyard & Milburn LLP

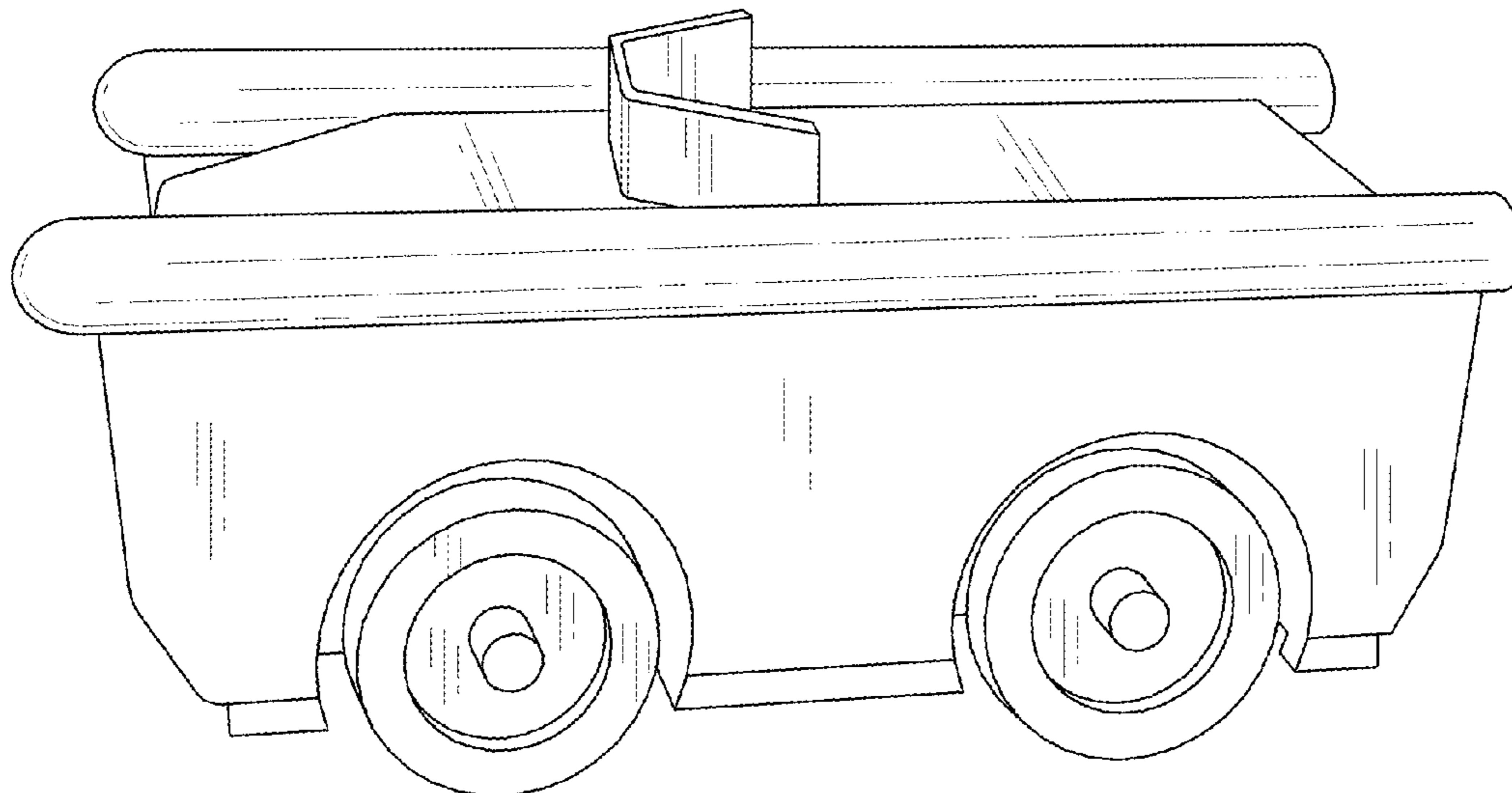
(57) **CLAIM**

The ornamental design for a syringe concealer, as shown and described.

DESCRIPTION

FIG. 1 is an elevated perspective view of the present invention;
FIG. 2 is a right side view of FIG. 1;
FIG. 3, is a left side view of FIG. 1;
FIG. 4 is a top view of FIG. 1;
FIG. 5 is a bottom view of FIG. 1;
FIG. 6 is a front view of FIG. 1;
FIG. 7 is a rear view of FIG. 1; and,
FIG. 8 shows a syringe disposed within the syringe concealer.
The broken lines are shown for environmental purposes only
and form no part of the claimed design.

1 Claim, 7 Drawing Sheets



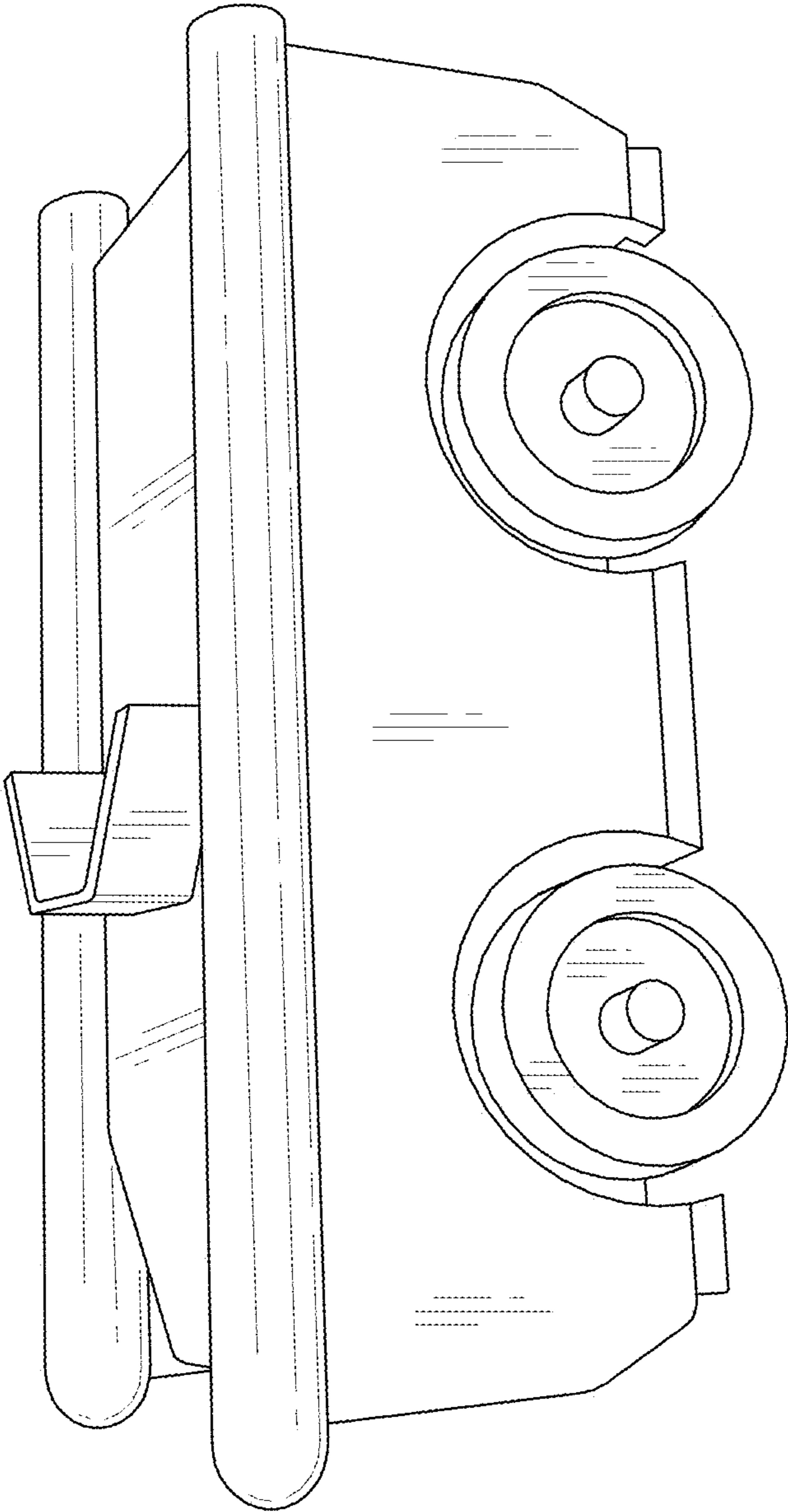


FIG. 1

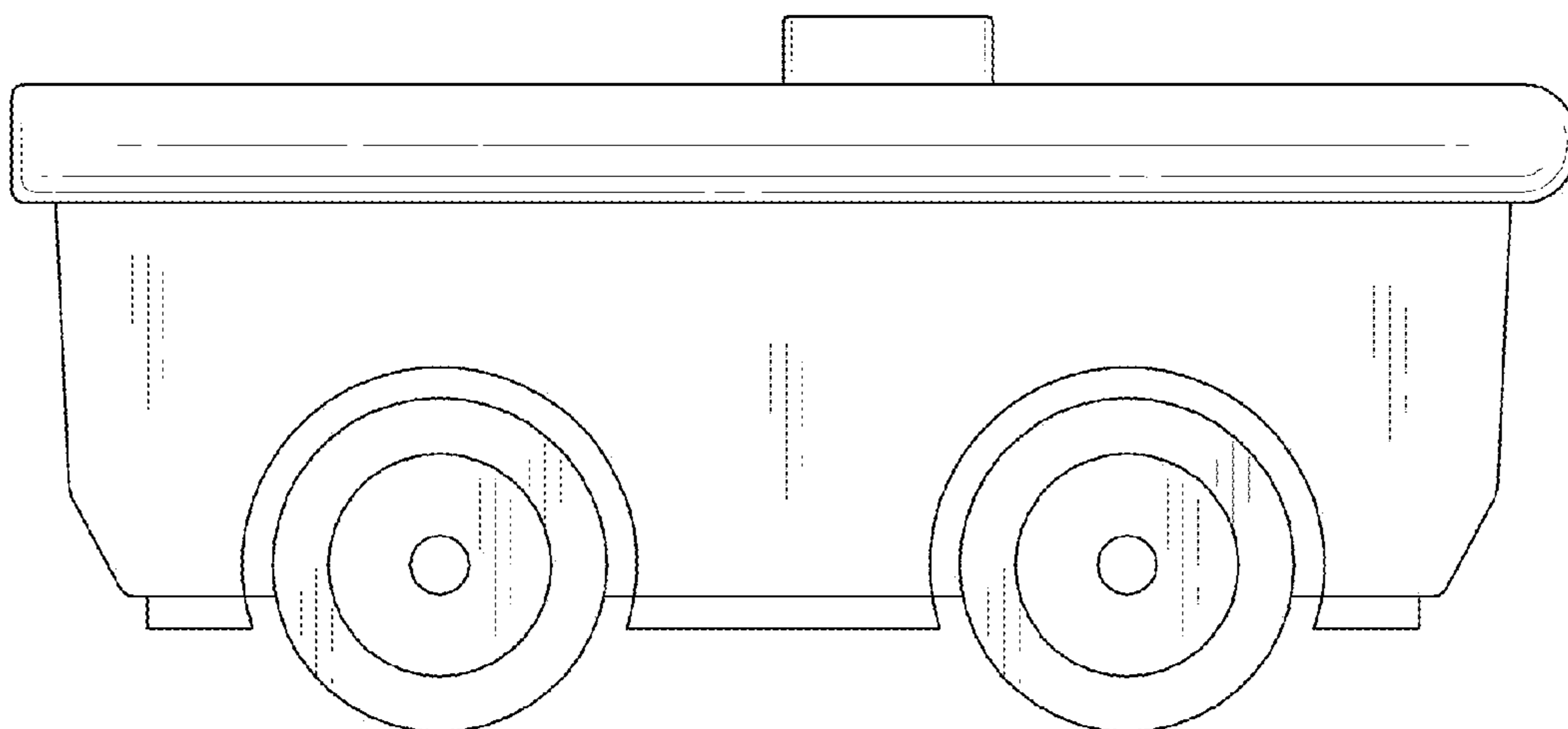


FIG. 2

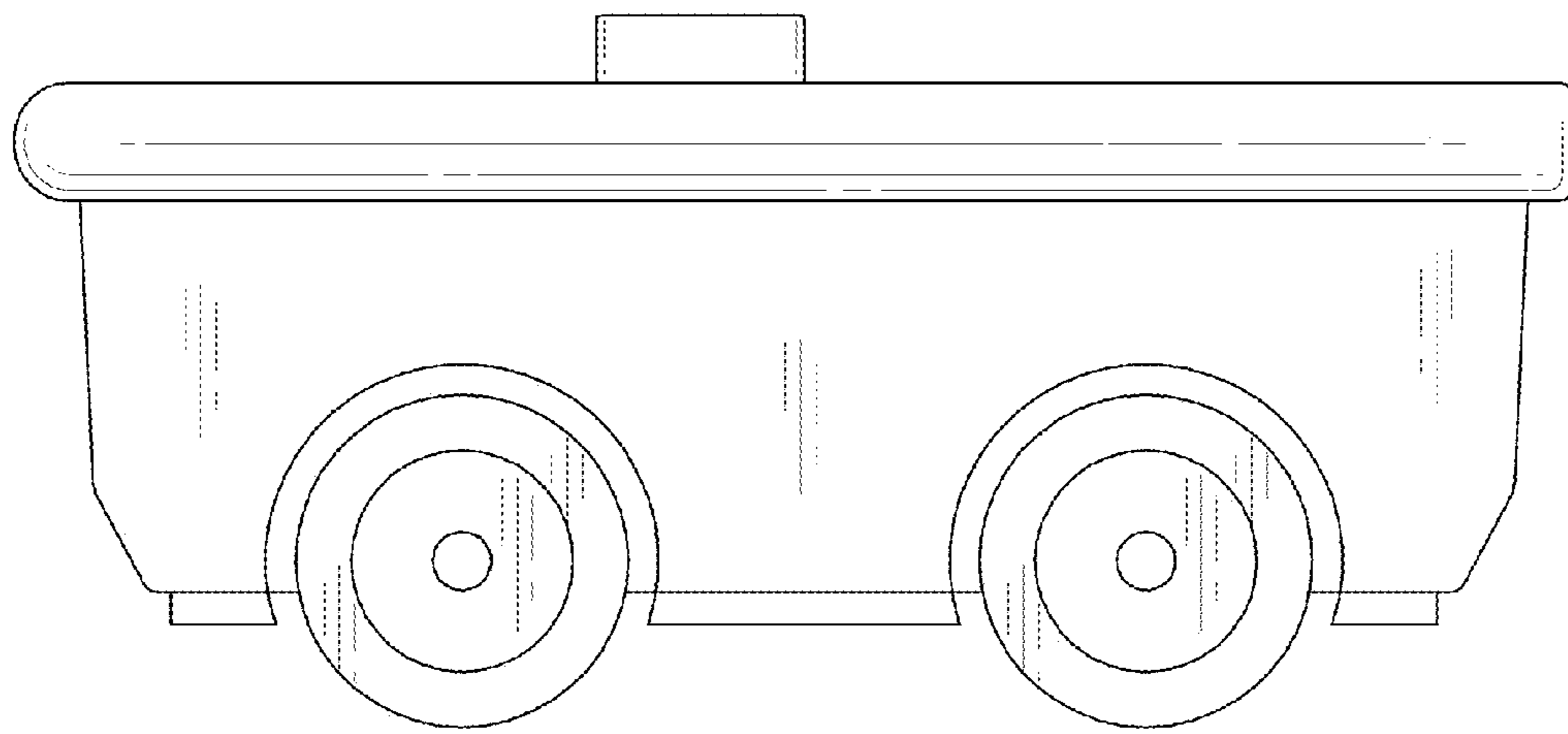


FIG. 3

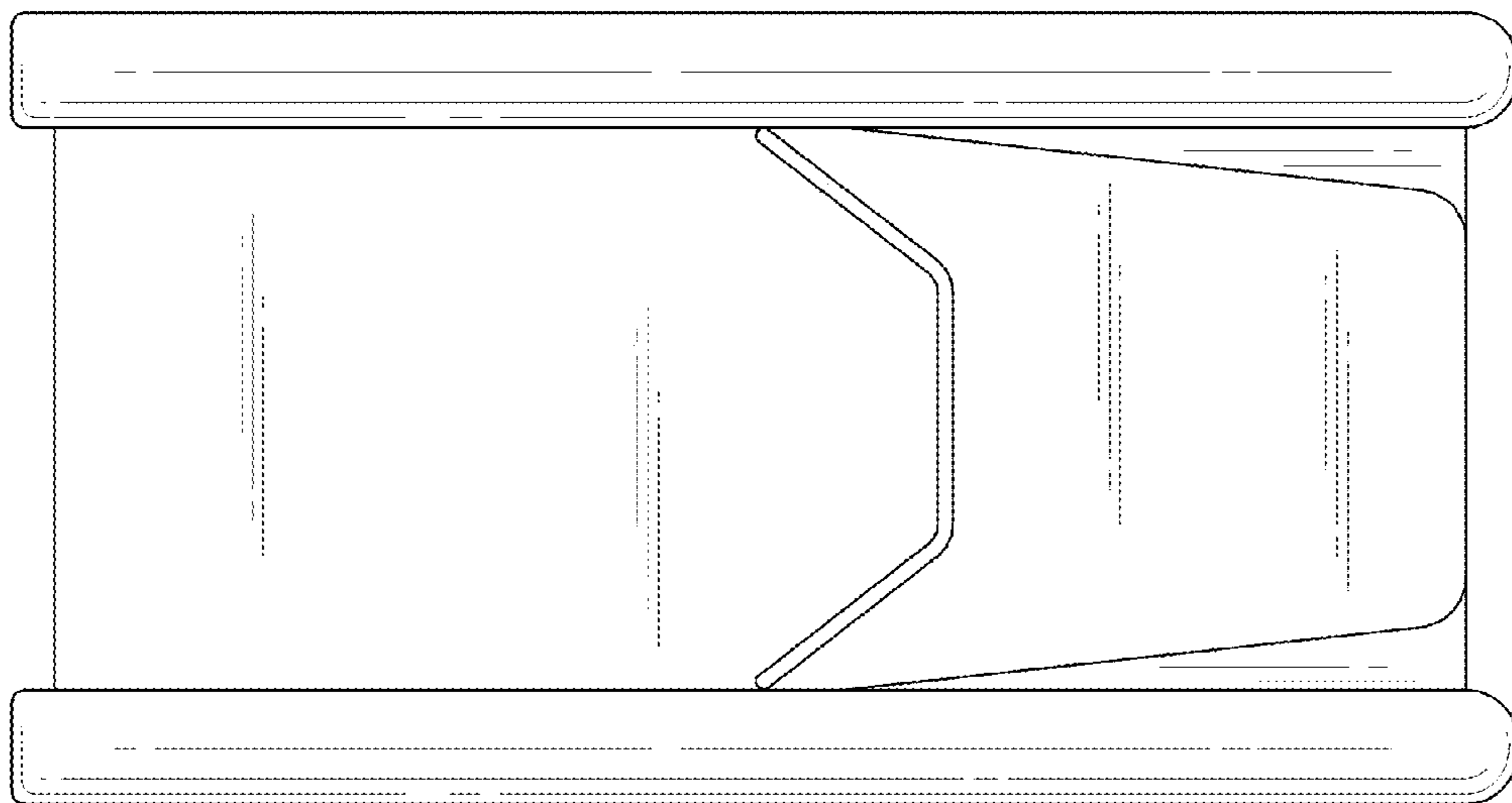


FIG. 4

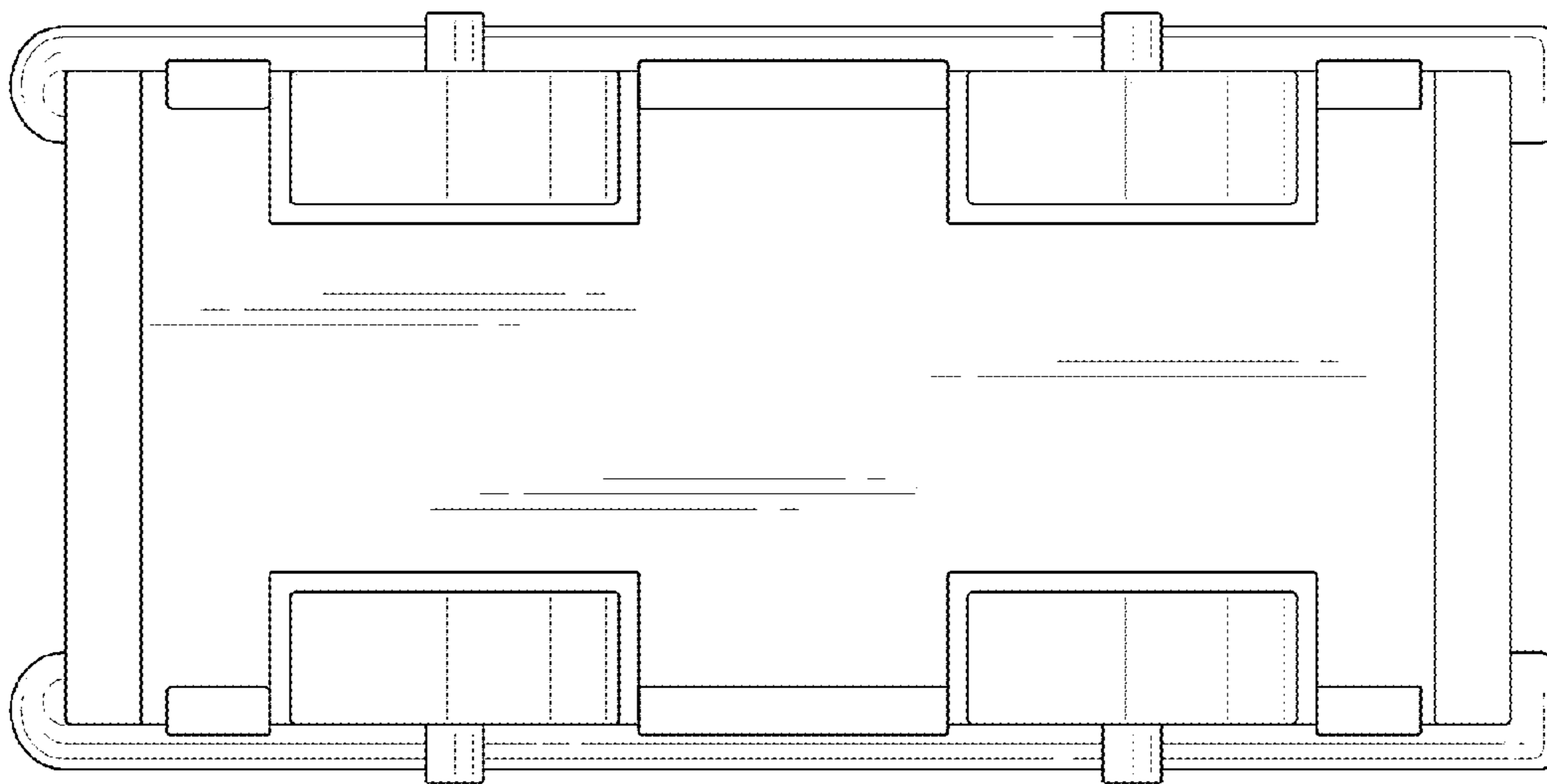


FIG. 5

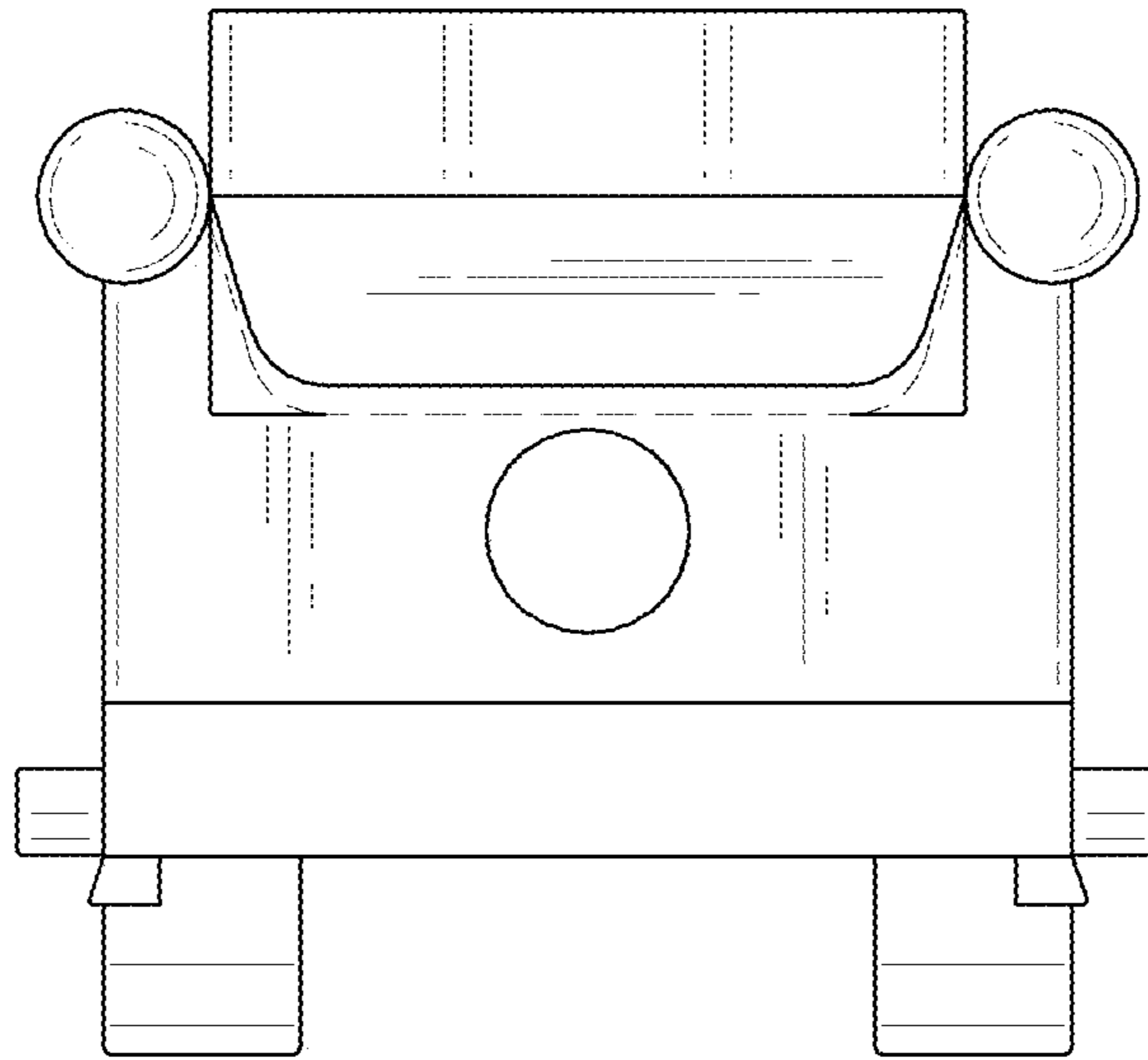


FIG. 6

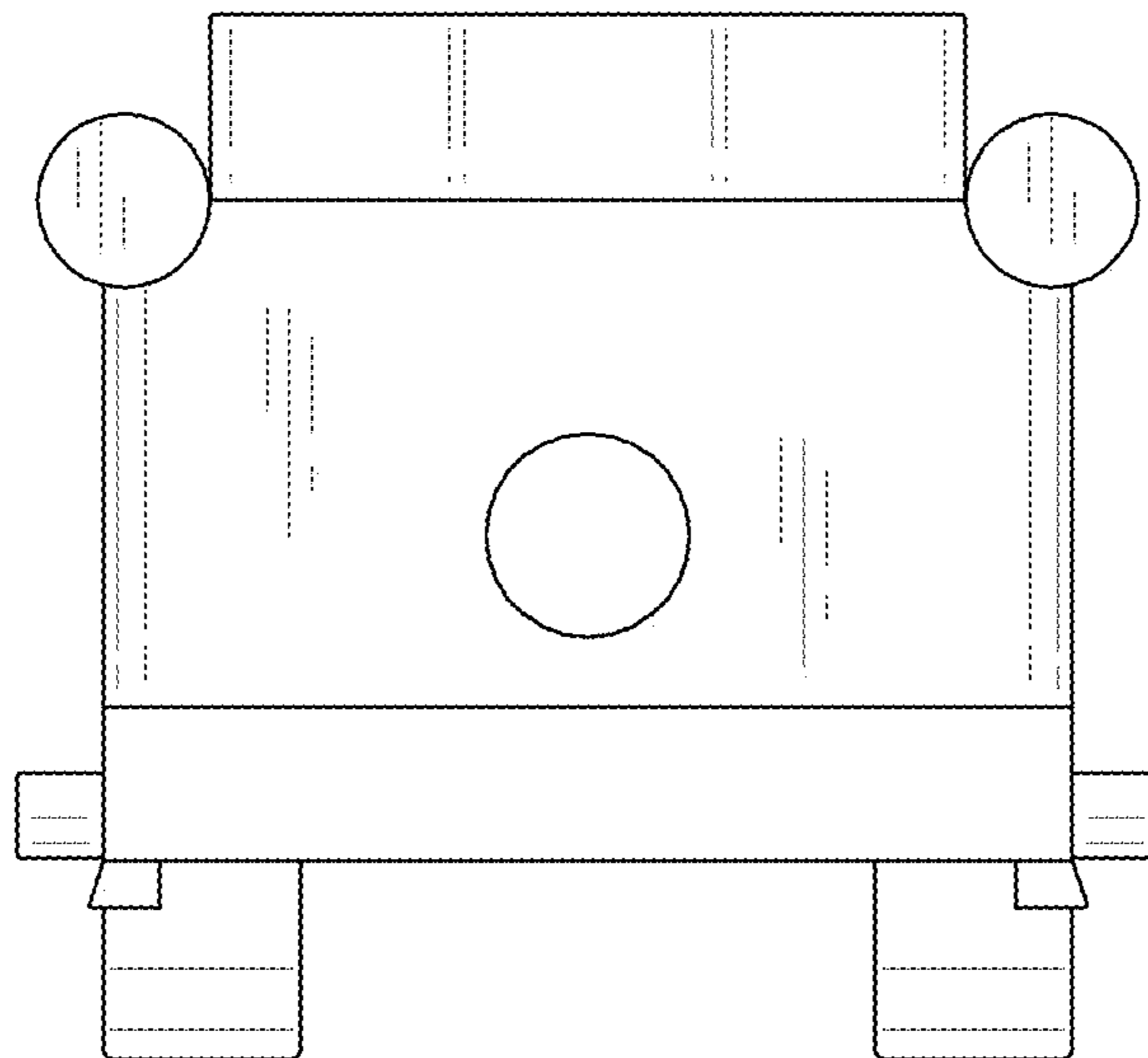


FIG. 7

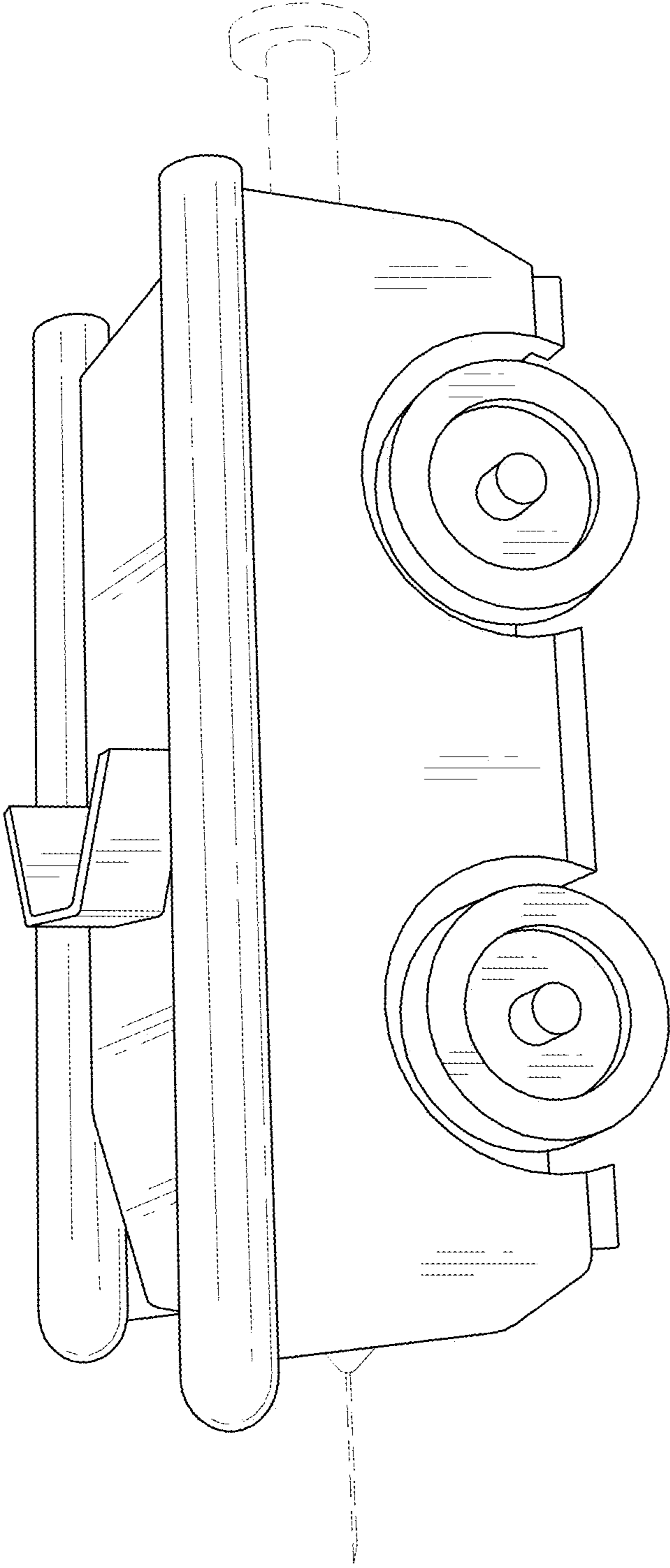


FIG. 8