



US00D745142S

(12) **United States Design Patent**  
**O'Connor et al.**

(10) **Patent No.:** **US D745,142 S**  
(45) **Date of Patent:** **\*\* Dec. 8, 2015**

- (54) **DRUG DELIVERY PUMP**
- (71) Applicant: **Unitract Syringe Pty Ltd**, Sydney (AU)
- (72) Inventors: **Sean M. O'Connor**, West Chester, PA (US); **Kevin Bokelman**, San Diego, CA (US); **Ian B. Hanson**, Wayne, PA (US); **Paul F. Bente, IV**, Wayne, PA (US); **Kun-Chi Wu**, Princeton, NJ (US)
- (73) Assignee: **UNITRACT SYRINGE PTY LTD**, Sydney (AU)
- (\*\*) Term: **14 Years**
- (21) Appl. No.: **29/453,258**
- (22) Filed: **Apr. 26, 2013**

**Related U.S. Application Data**

- (63) Continuation-in-part of application No. 13/599,727, filed on Aug. 30, 2012, and a continuation-in-part of application No. 13/600,114, filed on Aug. 30, 2012, and a continuation-in-part of application No. 13/612,203, filed on Sep. 12, 2012.

- (51) **LOC (10) Cl.** ..... **24-02**
- (52) **U.S. Cl.**  
USPC ..... **D24/111**
- (58) **Field of Classification Search**  
USPC ..... D24/111, 108, 169; 417/234; D9/526, D9/529, 668; 604/9, 143, 151, 154, 218, 604/246, 256, 244

See application file for complete search history.

(56) **References Cited**

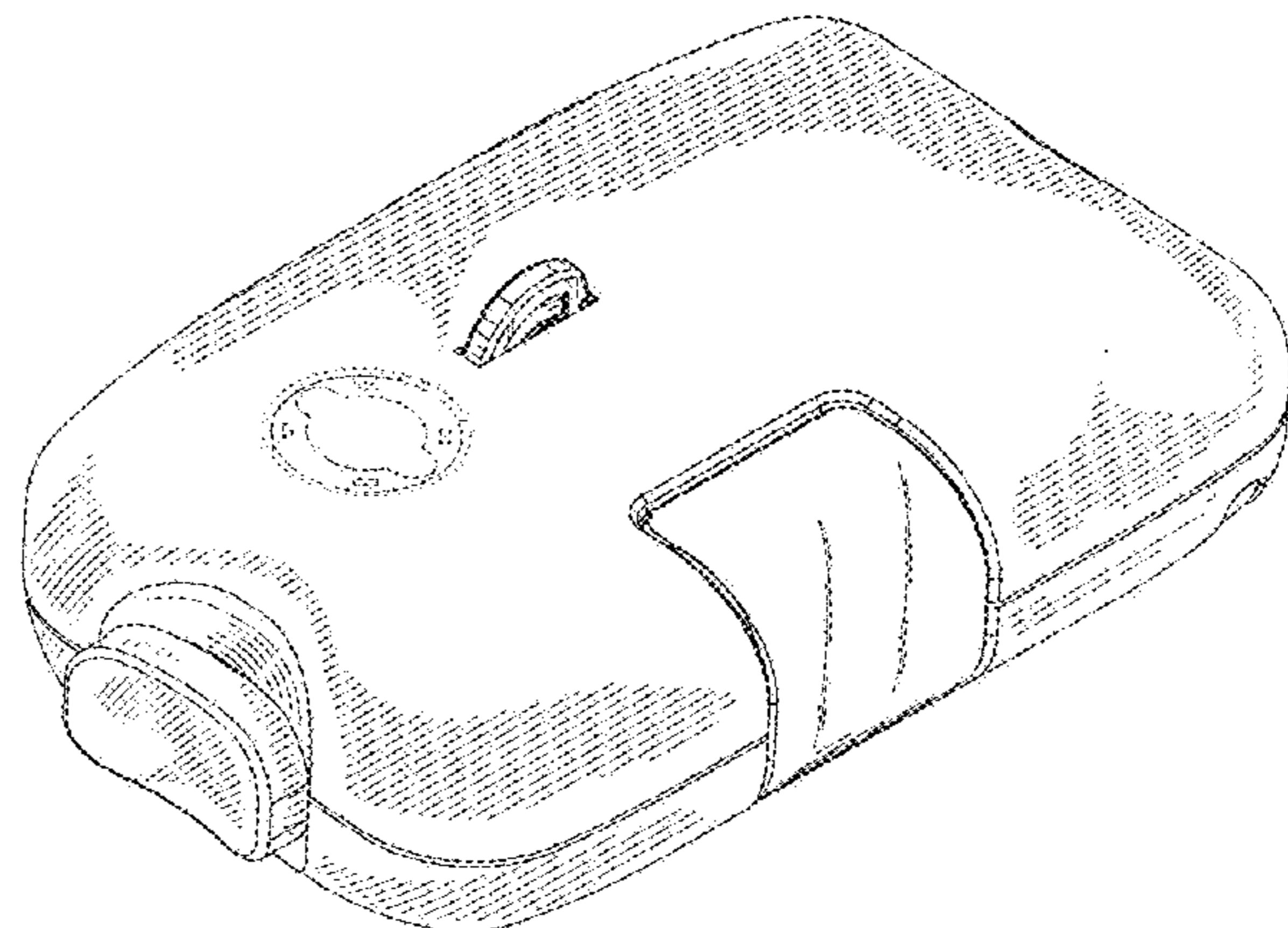
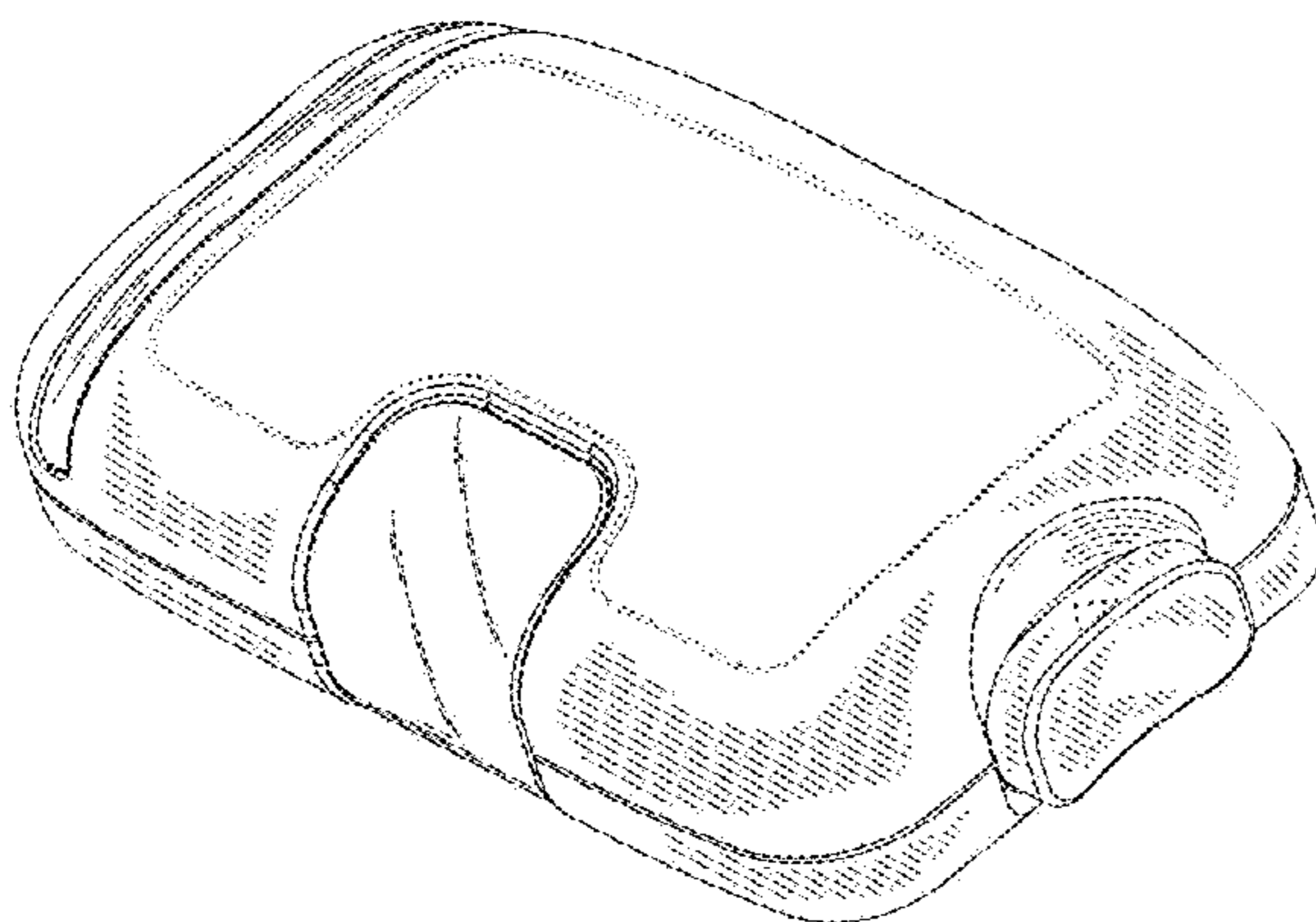
**U.S. PATENT DOCUMENTS**

- 4,004,586 A 1/1977 Christensen et al.
- 4,673,400 A 6/1987 Martin
- 4,685,903 A 8/1987 Cable et al.
- 4,755,173 A 7/1988 Konopka et al.
- 4,840,620 A 6/1989 Kobayashi et al.
- D326,611 S \* 6/1992 Dinand ..... D9/529
- 5,167,816 A 12/1992 Kruger et al.
- 5,795,339 A 8/1998 Erskine
- 5,858,001 A 1/1999 Tsals et al.
- D430,289 S \* 8/2000 Mason et al. .... D24/111
- 6,248,093 B1 6/2001 Moberg
- D457,949 S \* 5/2002 Krug et al. .... D24/111
- D461,241 S \* 8/2002 Moberg et al. .... D24/111
- 6,699,218 B2 3/2004 Flaherty et al.

- 7,036,684 B1 \* 5/2006 Hantman et al. .... 222/94
- 7,063,684 B2 6/2006 Moberg
- 7,479,135 B2 1/2009 Richter et al.
- D586,463 S \* 2/2009 Evans et al. .... D24/111
- 7,611,503 B2 11/2009 Spohn et al.
- 7,803,134 B2 9/2010 Sharifi et al.
- 7,846,132 B2 12/2010 Gravesen et al.
- 7,905,859 B2 3/2011 Bynum et al.
- 7,967,795 B1 6/2011 Cabiri
- 8,029,472 B2 10/2011 Leinsing et al.
- 8,048,031 B2 11/2011 Shaw et al.
- 8,157,769 B2 4/2012 Cabiri
- 8,167,844 B2 5/2012 Dillard, III
- 8,187,232 B2 5/2012 Chong et al.
- D684,685 S \* 6/2013 Schneider et al. .... D24/111
- D684,686 S \* 6/2013 Cronenberg ..... D24/111
- D685,083 S \* 6/2013 Schneider et al. .... D24/108
- D709,183 S \* 7/2014 Kemlein ..... D24/111
- 2004/0092878 A1 5/2004 Flaherty
- 2007/0010789 A1 1/2007 Peter et al.
- 2008/0132842 A1 6/2008 Flaherty
- 2008/0269687 A1 10/2008 Chong et al.
- 2009/0124979 A1 5/2009 Raymond et al.
- 2009/0204077 A1 8/2009 Hasted et al.
- 2011/0166509 A1 7/2011 Gross et al.
- 2012/0035546 A1 2/2012 Cabiri
- 2012/0123354 A1 5/2012 Woehr
- 2013/0066274 A1 \* 3/2013 O'Connor et al. .... 604/151
- 2014/0231427 A1 \* 8/2014 Botet ..... 220/62.21

**FOREIGN PATENT DOCUMENTS**

- EP 1702635 A2 9/2006
- EP 1341569 B1 1/2007
- EP 1427471 B1 2/2008
- EP 1695727 B1 7/2008
- EP 1513580 B1 3/2009
- EP 2077128 A1 7/2009
- EP 2379134 A1 10/2011
- EP 2429612 A1 3/2012
- EP 2433663 A1 3/2012
- WO 99/48546 A1 9/1999
- WO 03/024504 A2 3/2003
- WO 03/103763 A1 12/2003
- WO 2004/062714 A1 7/2004
- WO 2005/037350 A2 4/2005
- WO 2008/024808 A2 2/2008
- WO 2010/077807 A1 7/2010
- WO 2010/084113 A1 7/2010
- WO 2010/112377 A1 10/2010
- WO 2010/132196 A1 11/2010
- WO 2011/006652 A1 1/2011



WO 2011/090956 A2 7/2011  
 WO 2011/121023 A1 10/2011  
 WO 2012/131044 A1 10/2012

OTHER PUBLICATIONS

European Patent Office, Communication Relating to the Results of the Partial International Search in International Application No. PCT/US2012/053241, 2 pages (Nov. 30, 2012).

European Patent Office, International Search Report in International Application No. PCT/US2012/053174, 4 pages (Mar. 28, 2013).

European Patent Office, International Search Report in International Application No. PCT/US2012/053241, 6 pages (Feb. 28, 2013).

European Patent Office, International Search Report in International Patent Application No. PCT/US2012/054861, 8 pages (Feb. 18, 2013).

European Patent Office, Written Opinion of the International Searching Authority in International Application No. PCT/US2012/053174, 6 pages (Mar. 28, 2013).

European Patent Office, Written Opinion of the International Searching Authority in International Application No. PCT/US2012/053241, 8 pages (Feb. 28, 2013).

Preliminary Amendment and Application Data Sheet Filed in National Phase of WO 2011/090956 A2 (U.S. Appl. No. 13/521,181) (Jul. 9, 2012).

\* cited by examiner

*Primary Examiner* — Wan Laymon

*Assistant Examiner* — Mark Booker

(74) *Attorney, Agent, or Firm* — Leydig, Voit & Mayer Ltd.

(57) **CLAIM**

An ornamental design for a drug delivery pump, as shown and described.

**DESCRIPTION**

FIG. 1 is an isometric view showing the top of our design of a drug delivery pump.

FIG. 2 is an isometric view showing the bottom of the drug delivery pump of FIG. 1.

FIG. 3 is a second isometric view showing the top of the drug delivery pump of FIGS. 1-2.

FIG. 4 is an elevational view of an end of the drug delivery pump of FIGS. 1-3.

FIG. 5 is an elevational view of the opposite end of the drug delivery pump of FIGS. 1-4.

FIG. 6 is an elevational view of the right side of the drug delivery pump of FIGS. 1-5.

FIG. 7 is an elevational view of the left of the drug delivery pump of FIGS. 1-6.

FIG. 8 is a top plan view of the drug delivery pump of FIGS. 1-7.

FIG. 9 is a bottom view of the drug delivery pump of FIGS. 1-8.

FIG. 10 is an isometric view showing the top of a second embodiment of our design of a drug delivery pump.

FIG. 11 is an isometric view showing the bottom of the drug delivery pump of FIG. 10.

FIG. 12 is a second isometric view showing the top of the drug delivery pump of FIGS. 10-11.

FIG. 13 is an elevational view of an end of the drug delivery pump of FIGS. 10-12.

FIG. 14 is an elevational view of the opposite end of the drug delivery pump of FIGS. 10-13.

FIG. 15 is an elevational view of the right side of the drug delivery pump of FIGS. 10-14.

FIG. 16 is an elevational view of the left of the drug delivery pump of FIGS. 10-15.

FIG. 17 is a top plan view of the drug delivery pump of FIGS. 10-16.

FIG. 18 is a bottom view of the drug delivery pump of FIGS. 10-17.

FIG. 19 is an isometric view showing the top of a third embodiment of our design of a drug delivery pump.

FIG. 20 is an isometric view showing the bottom of the drug delivery pump of FIG. 19.

FIG. 21 is a second isometric view showing the top of the drug delivery pump of FIGS. 19-20.

FIG. 22 is an elevational view of an end of the drug delivery pump of FIGS. 19-21.

FIG. 23 is an elevational view of the opposite end of the drug delivery pump of FIGS. 19-22.

FIG. 24 is an elevational view of the right side of the drug delivery pump of FIGS. 19-23.

FIG. 25 is an elevational view of the left of the drug delivery pump of FIGS. 19-24.

FIG. 26 is a top plan view of the drug delivery pump of FIGS. 19-25.

FIG. 27 is a bottom view of the drug delivery pump of FIGS. 19-26.

FIG. 28 is an isometric view showing the top of a fourth embodiment of our design of a drug delivery pump.

FIG. 29 is an isometric view showing the bottom of the drug delivery pump of FIG. 28.

FIG. 30 is a second isometric view showing the top of the drug delivery pump of FIGS. 28-29.

FIG. 31 is an elevational view of an end of the drug delivery pump of FIGS. 28-30.

FIG. 32 is an elevational view of the opposite end of the drug delivery pump of FIGS. 28-31.

FIG. 33 is an elevational view of the right side of the drug delivery pump of FIGS. 28-32.

FIG. 34 is an elevational view of the left of the drug delivery pump of FIGS. 28-33.

FIG. 35 is a top plan view of the drug delivery pump of FIGS. 28-34.

FIG. 36 is a bottom view of the drug delivery pump of FIGS. 28-35.

FIG. 37 is an isometric view showing the top of a fifth embodiment of our design of a drug delivery pump.

FIG. 38 is an isometric view showing the bottom of the drug delivery pump of FIG. 37.

FIG. 39 is a second isometric view showing the top of the drug delivery pump of FIGS. 37-38.

FIG. 40 is an elevational view of an end of the drug delivery pump of FIGS. 37-39.

FIG. 41 is an elevational view of the opposite end of the drug delivery pump of FIGS. 37-40.

FIG. 42 is an elevational view of the right side of the drug delivery pump of FIGS. 37-41.

FIG. 43 is an elevational view of the left of the drug delivery pump of FIGS. 37-42;

FIG. 44 is a top plan view of the drug delivery pump of FIGS. 37-43; and,

FIG. 45 is a bottom view of the drug delivery pump of FIGS. 37-44.

The broken lines of FIGS. 1-45 are for the purpose of illustrating portions of the article in which the design is embodied that form no part of the claimed design.

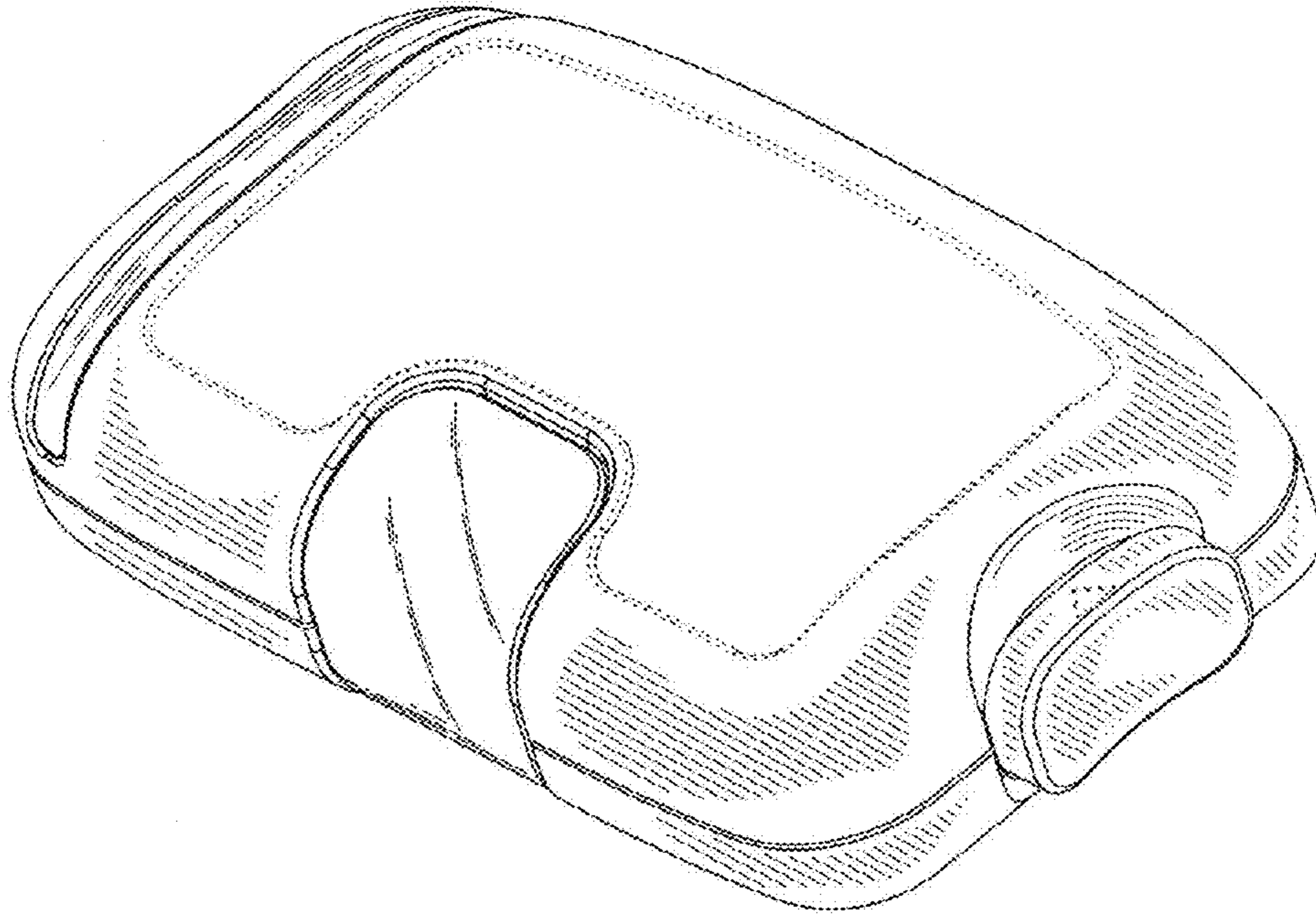


FIG. 1

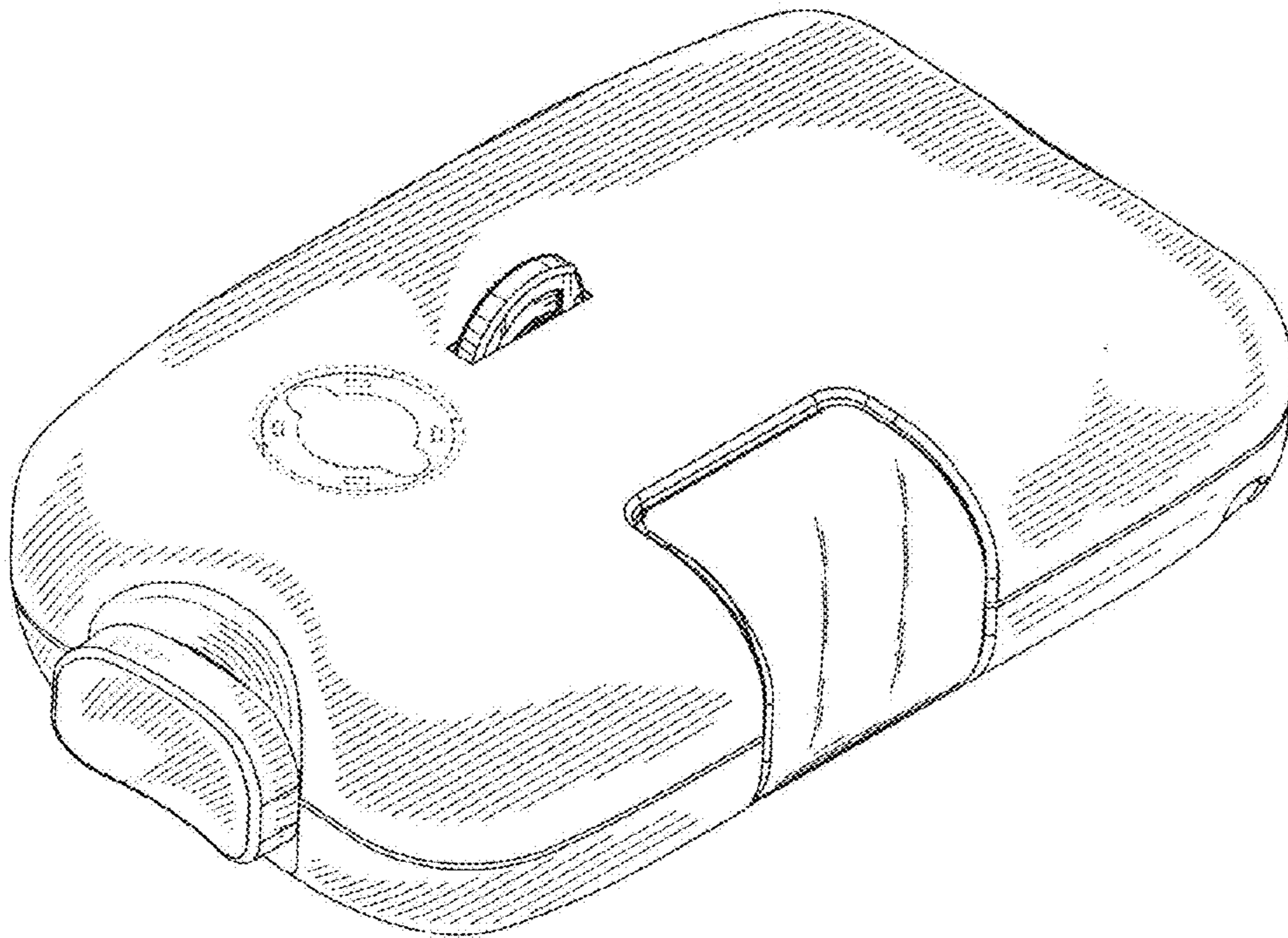


FIG. 2

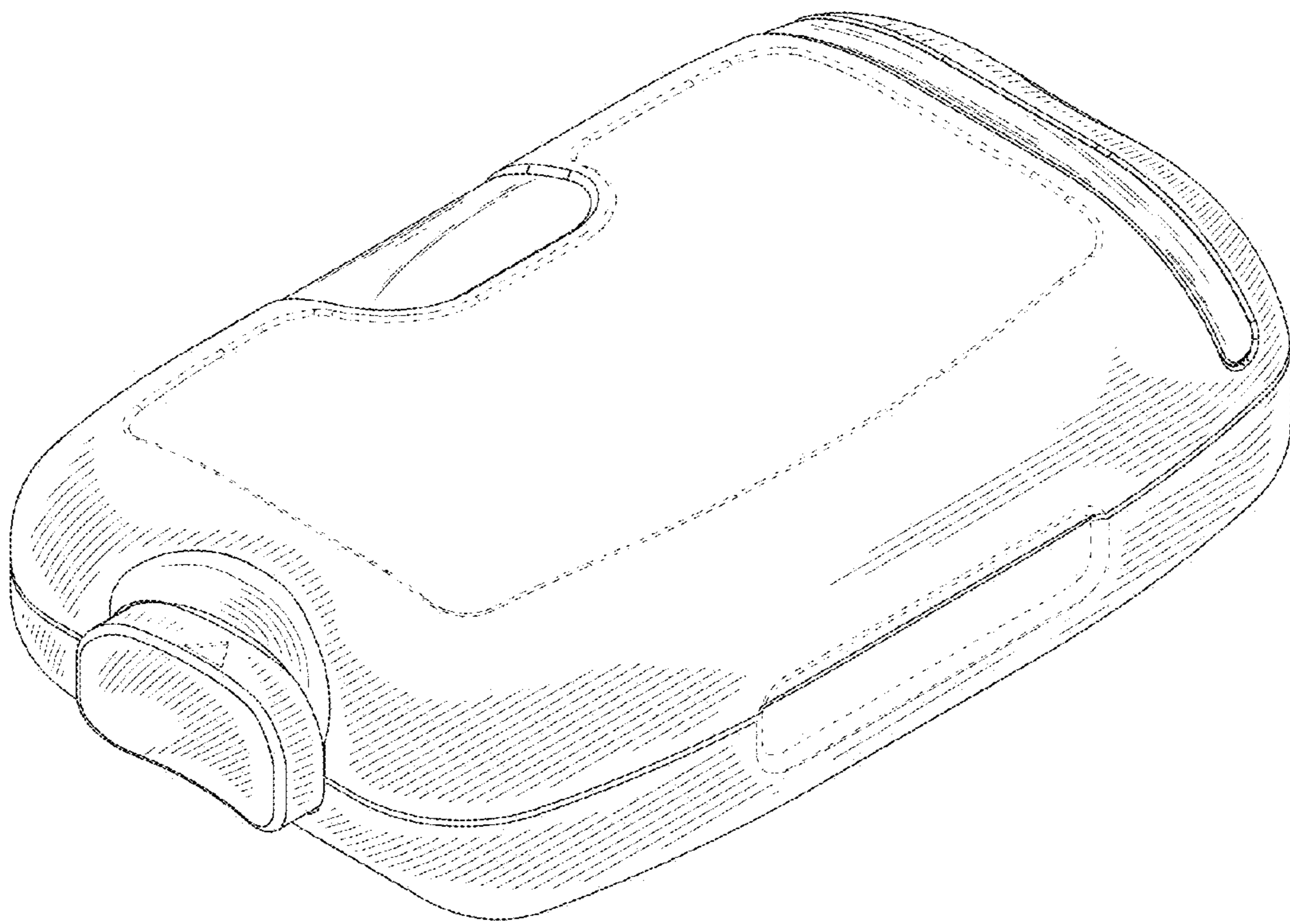


FIG. 3

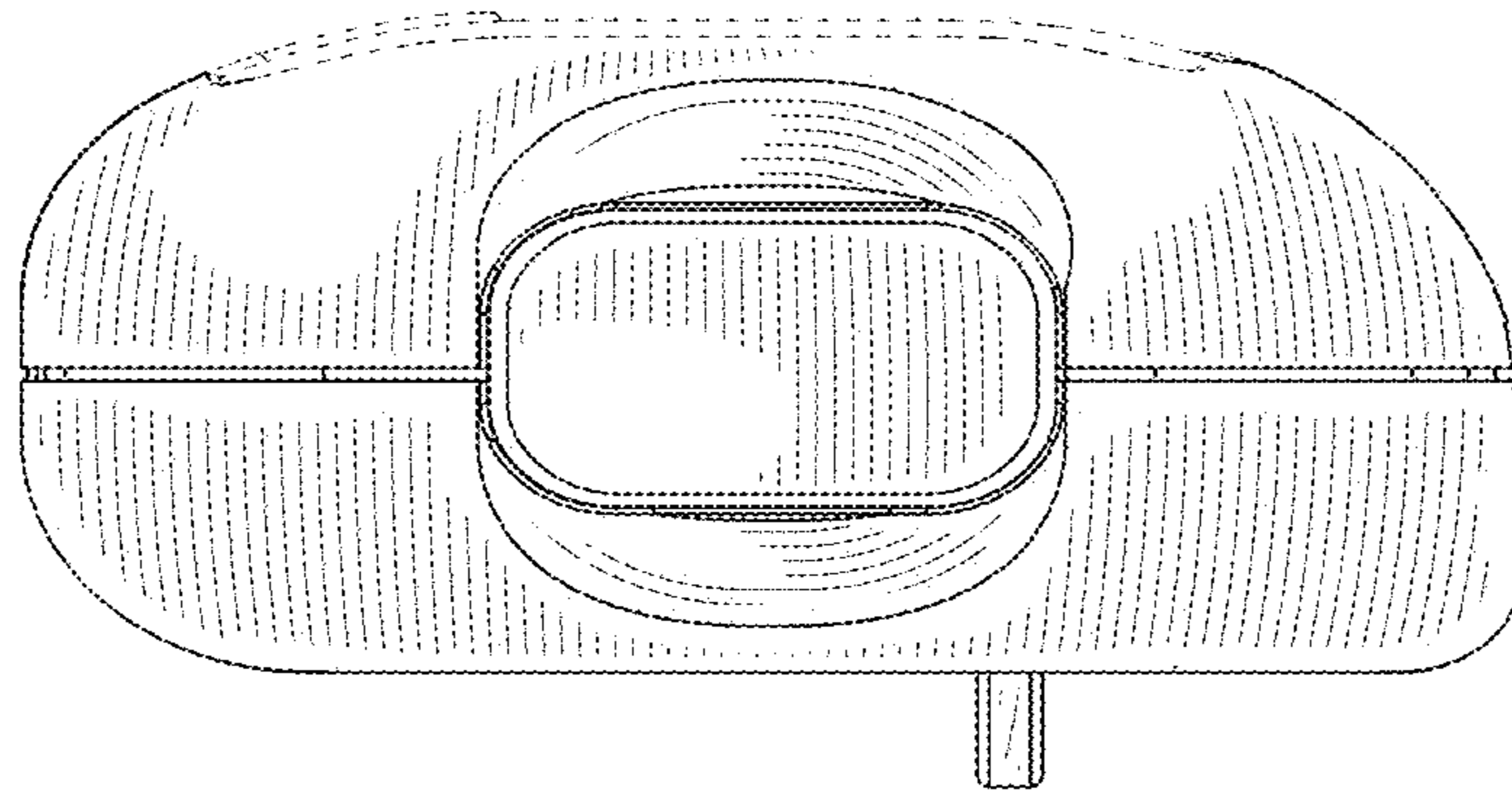


FIG. 4

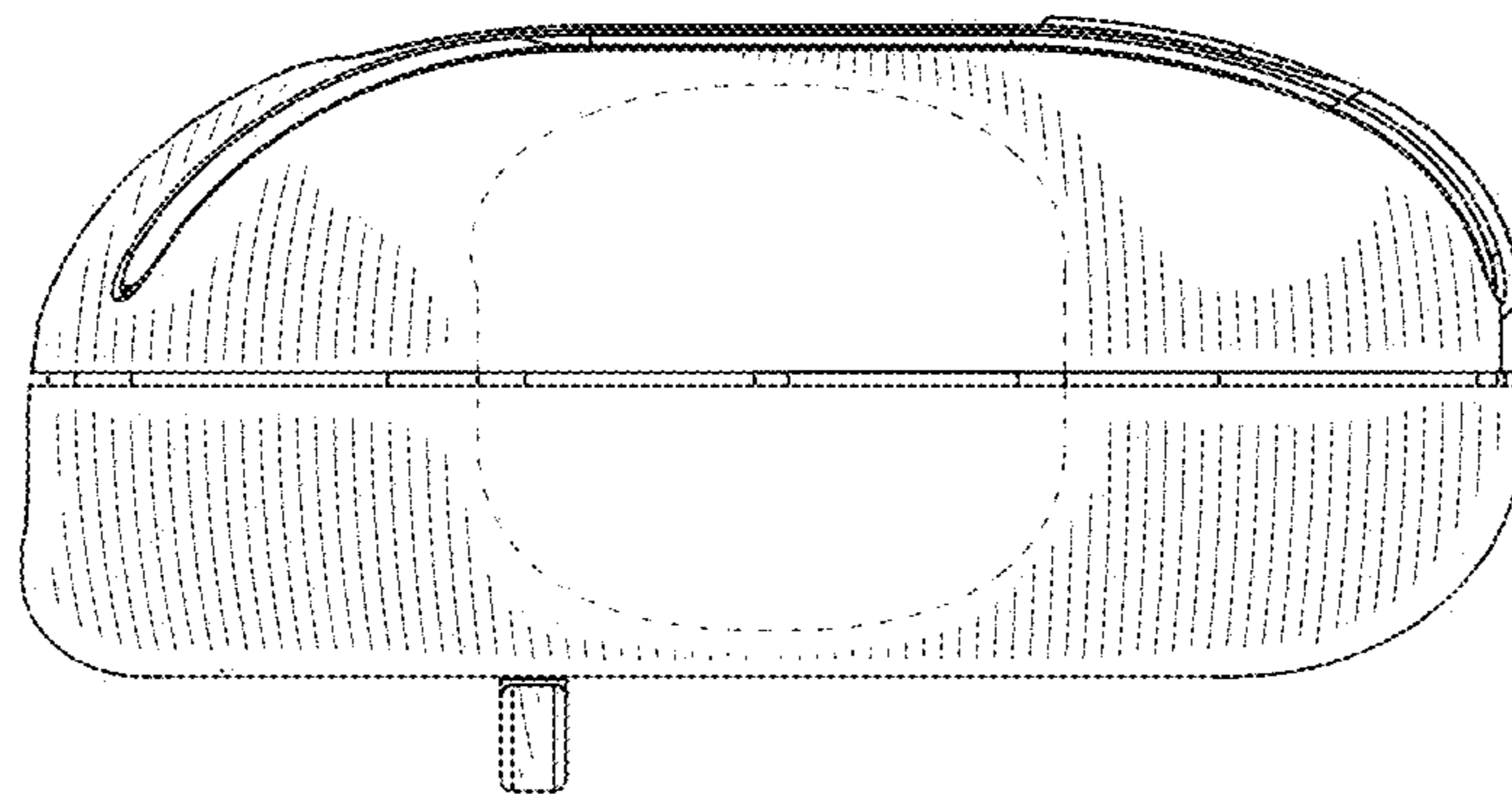


FIG. 5

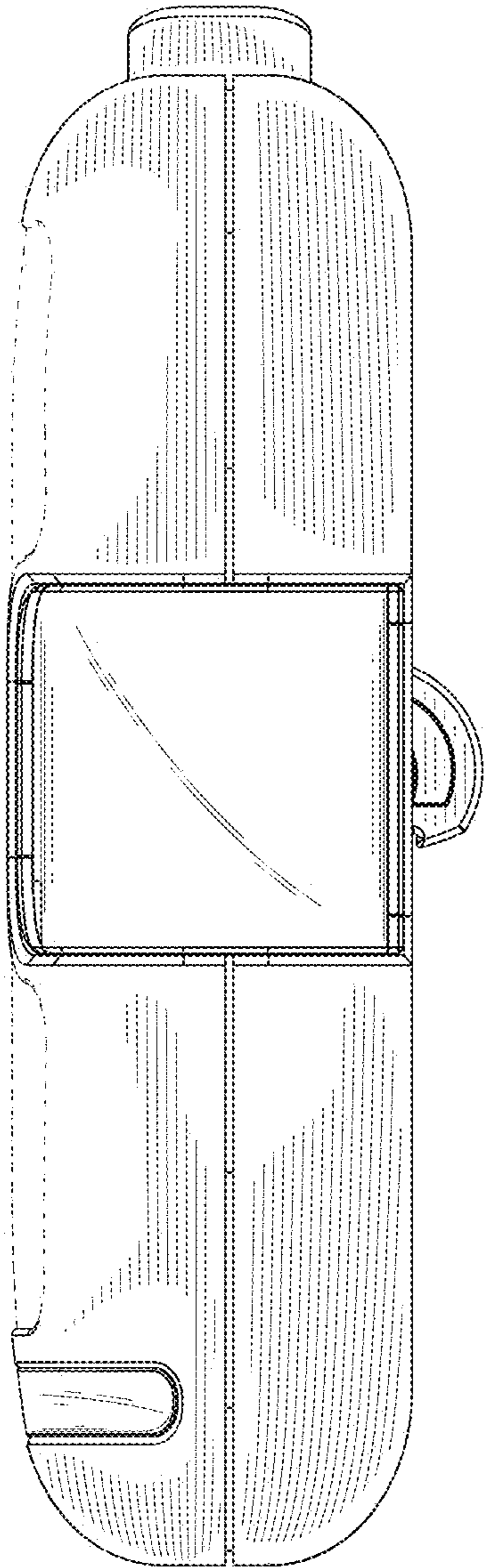


FIG. 6

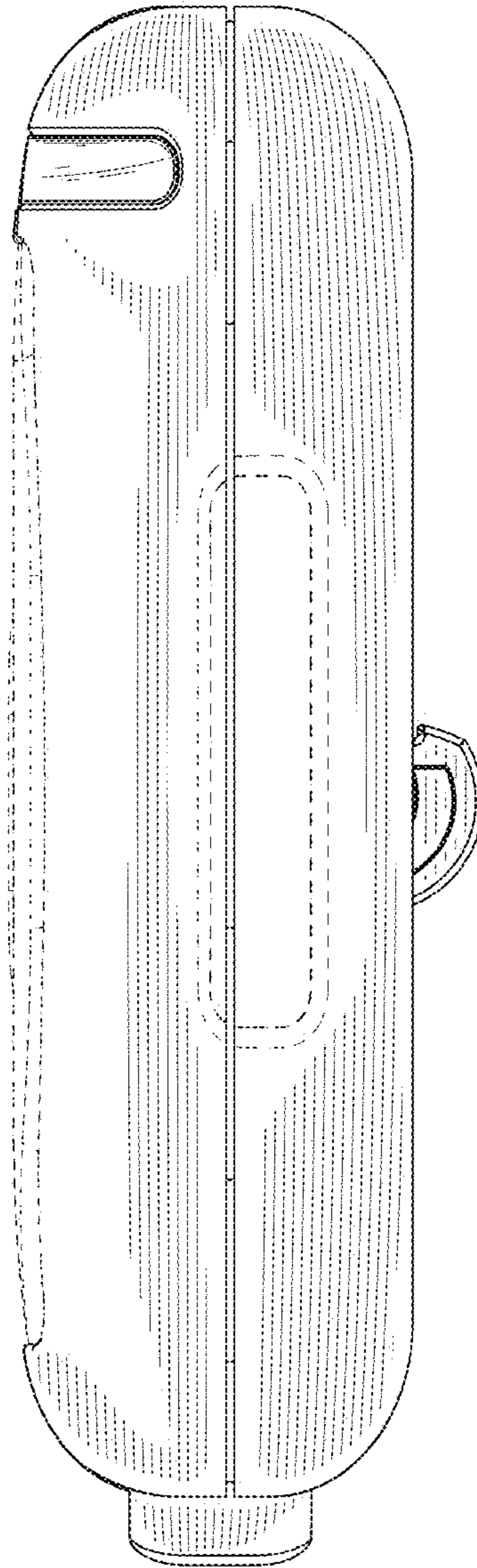


FIG. 7

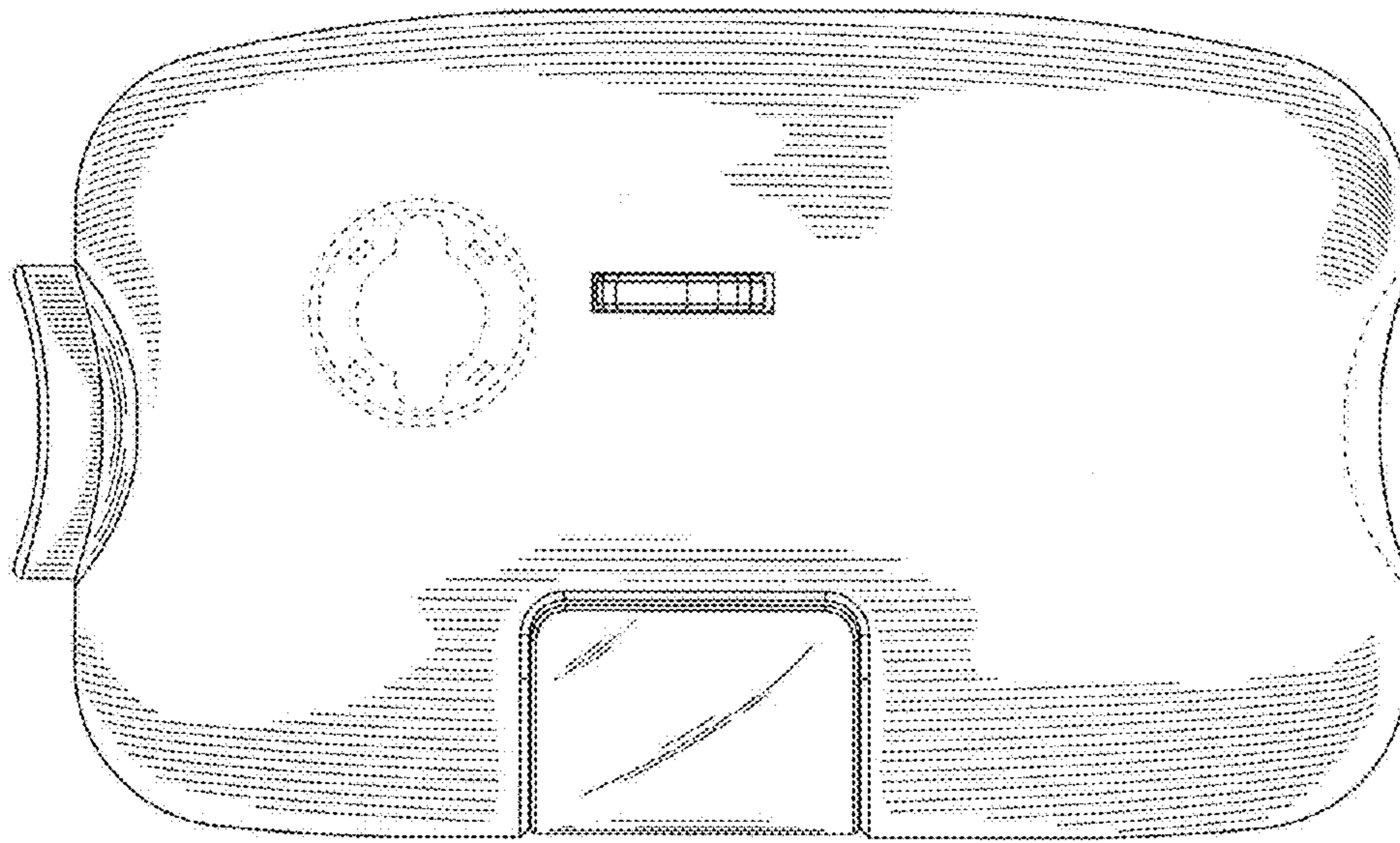


FIG. 9

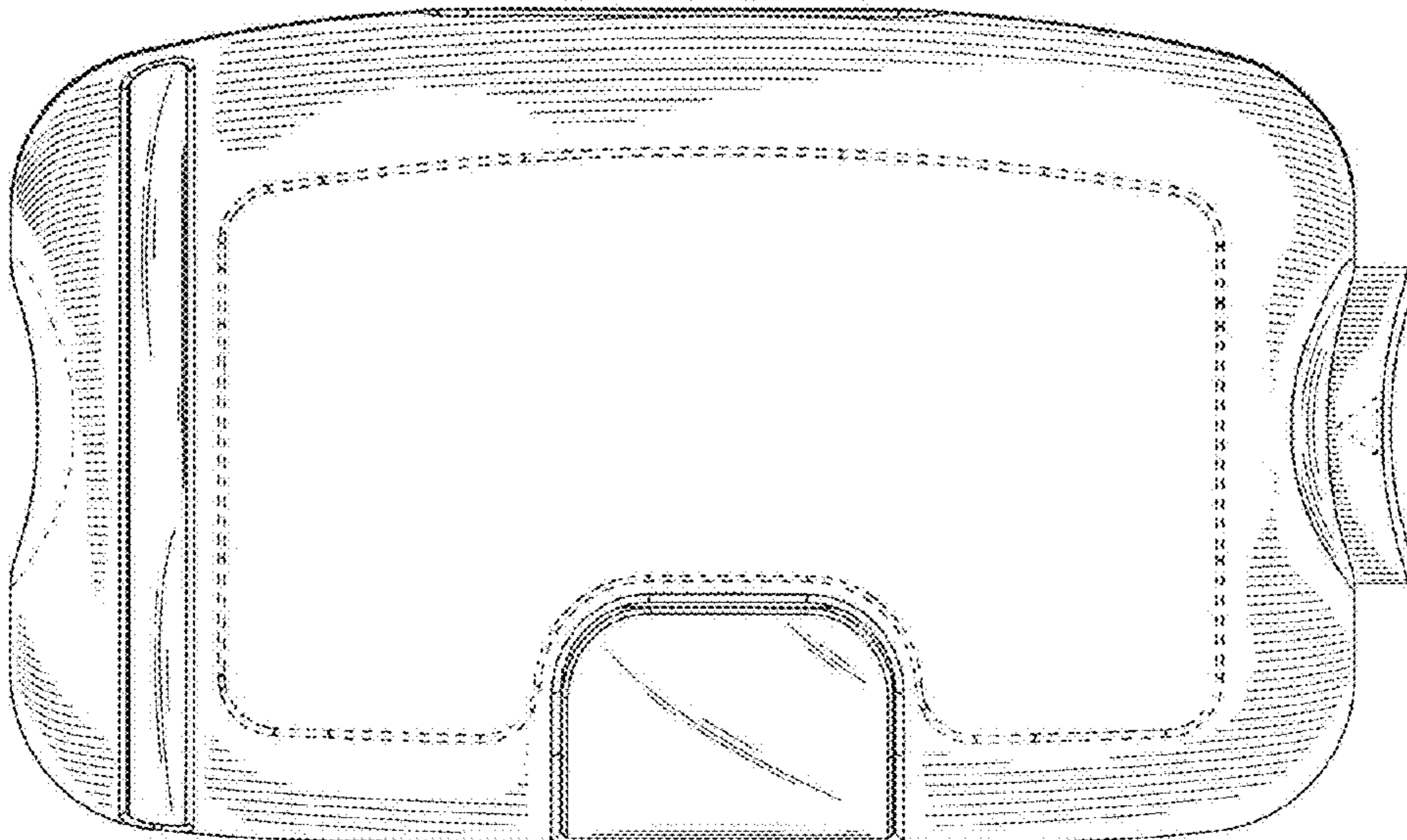


FIG. 8

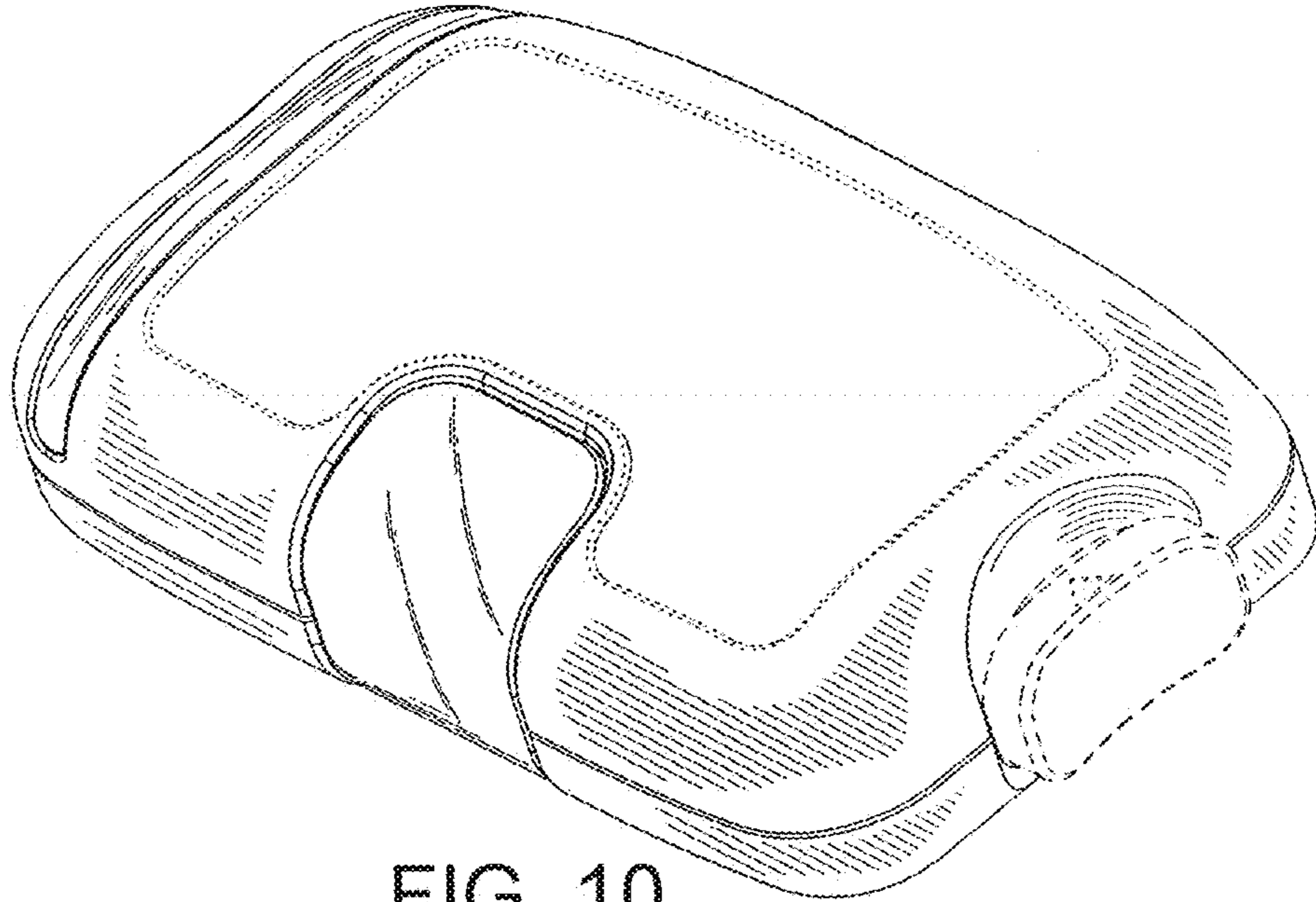


FIG. 10

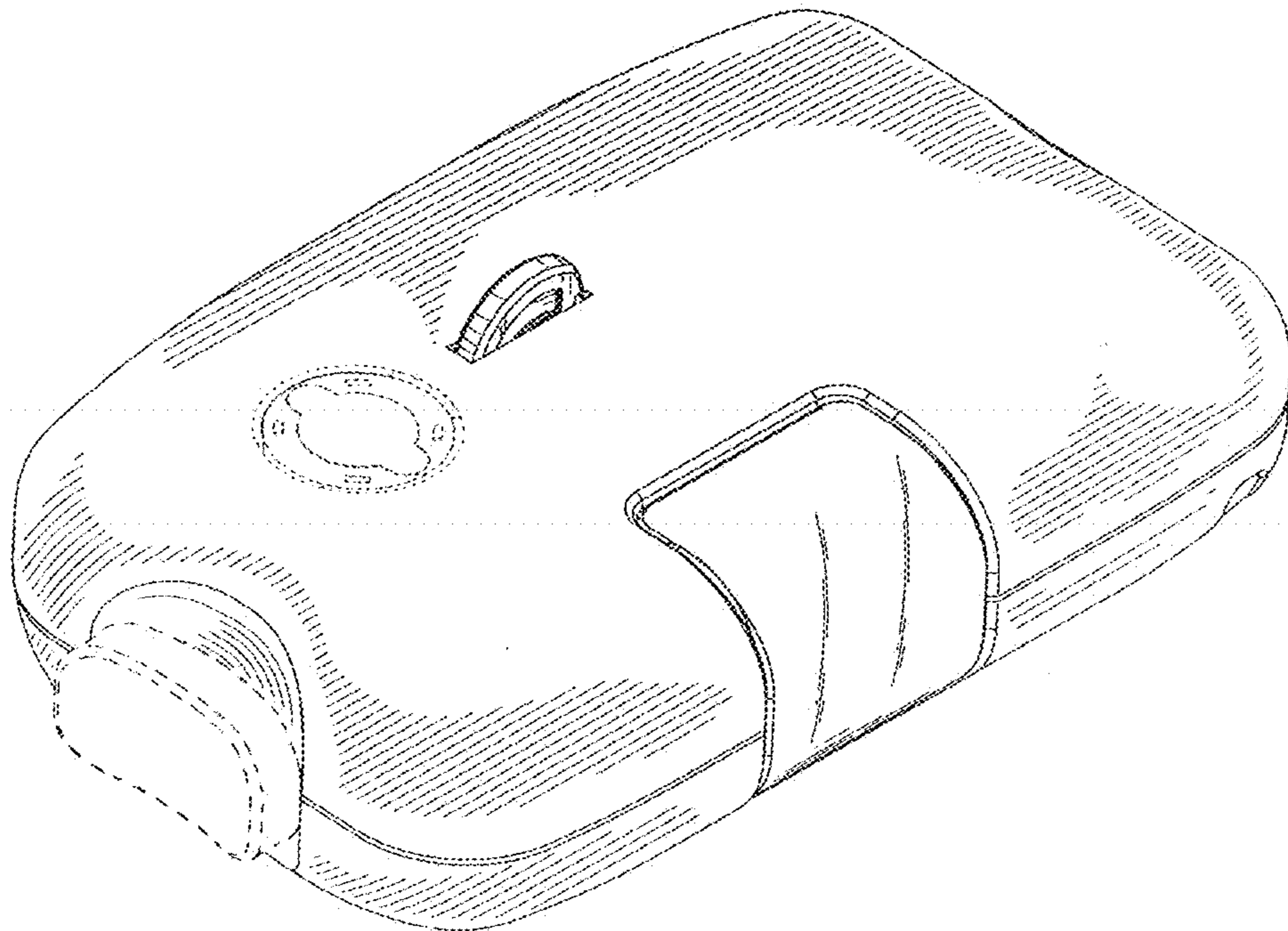


FIG. 11



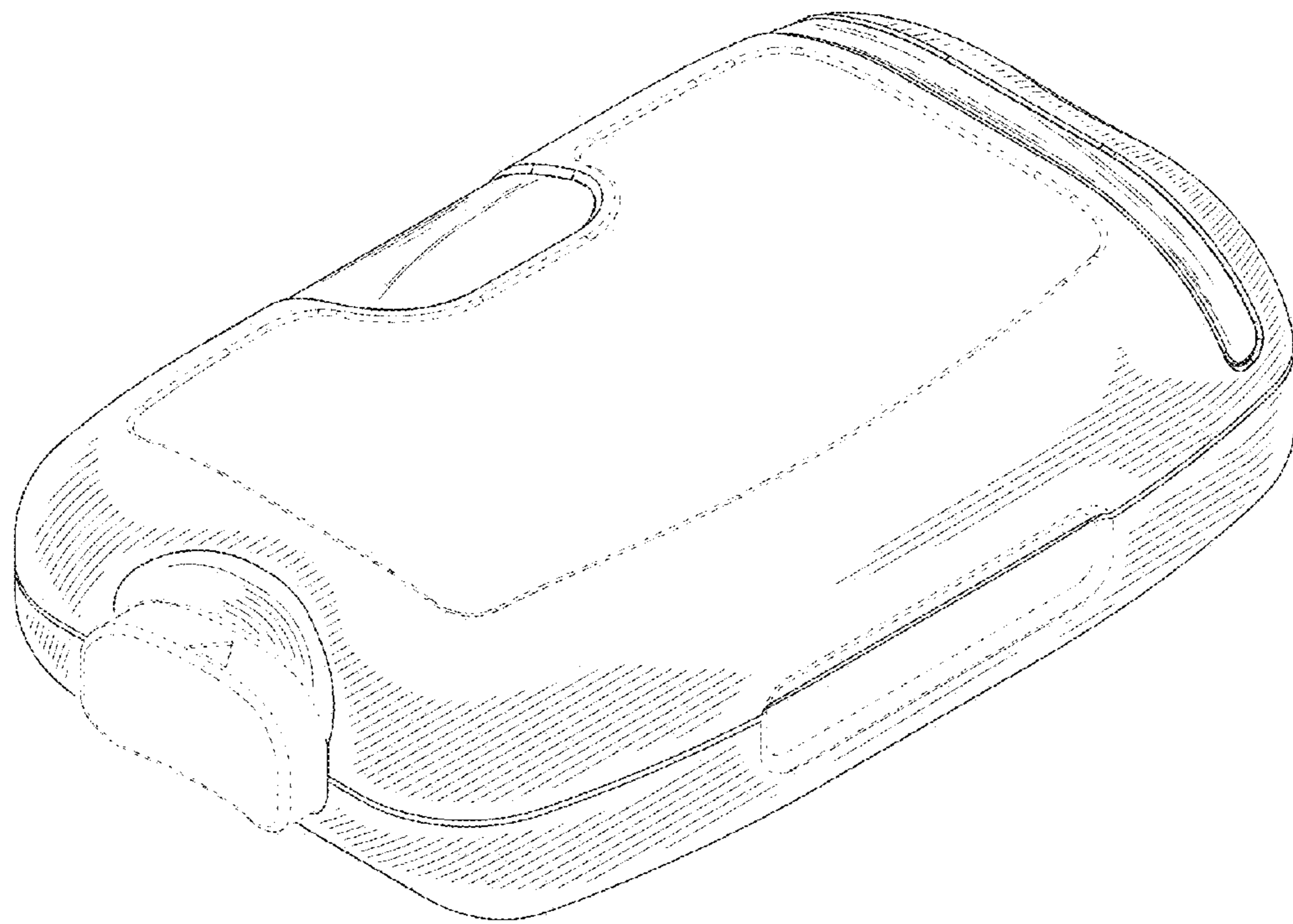


FIG. 12

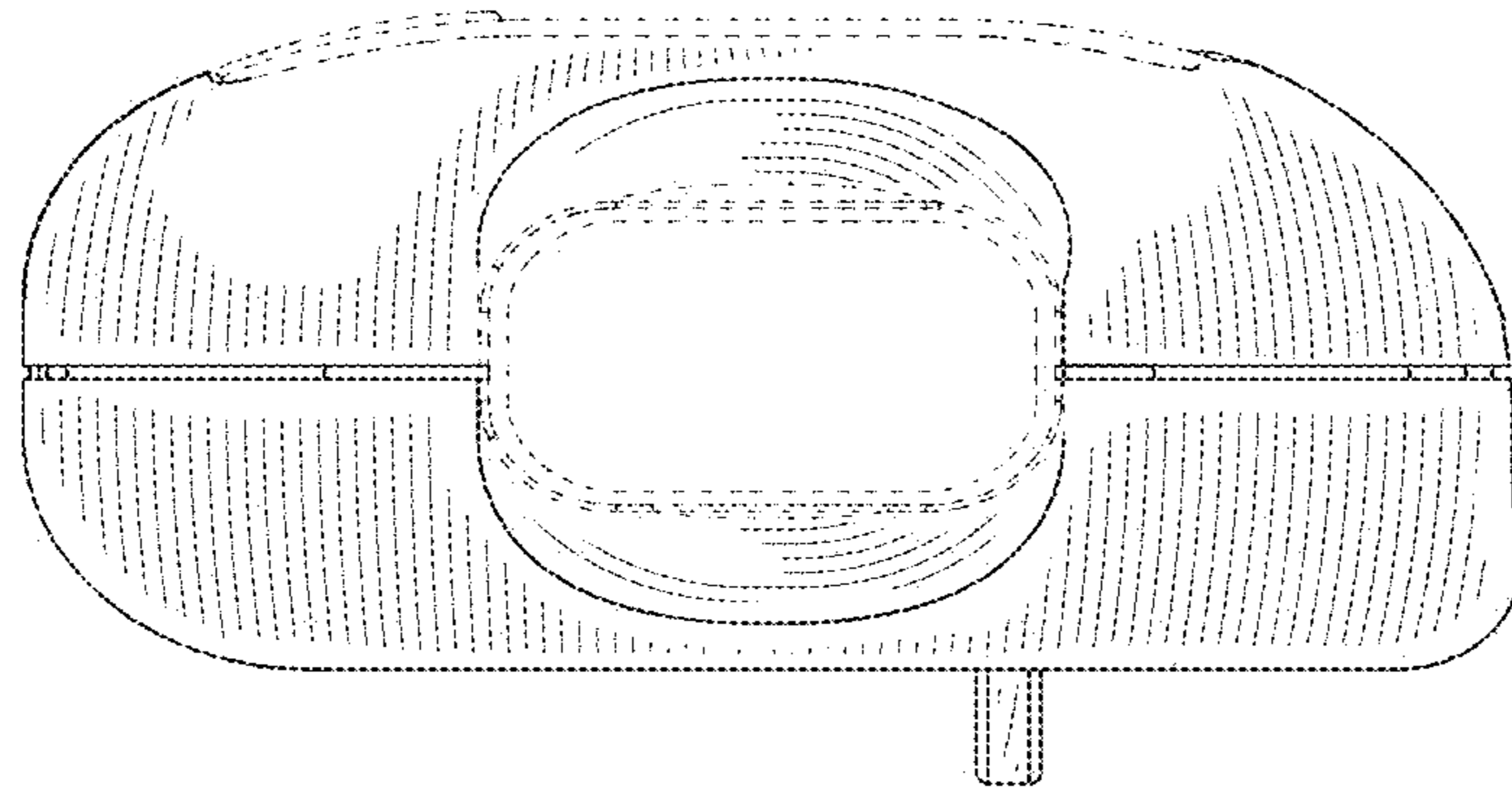


FIG. 13

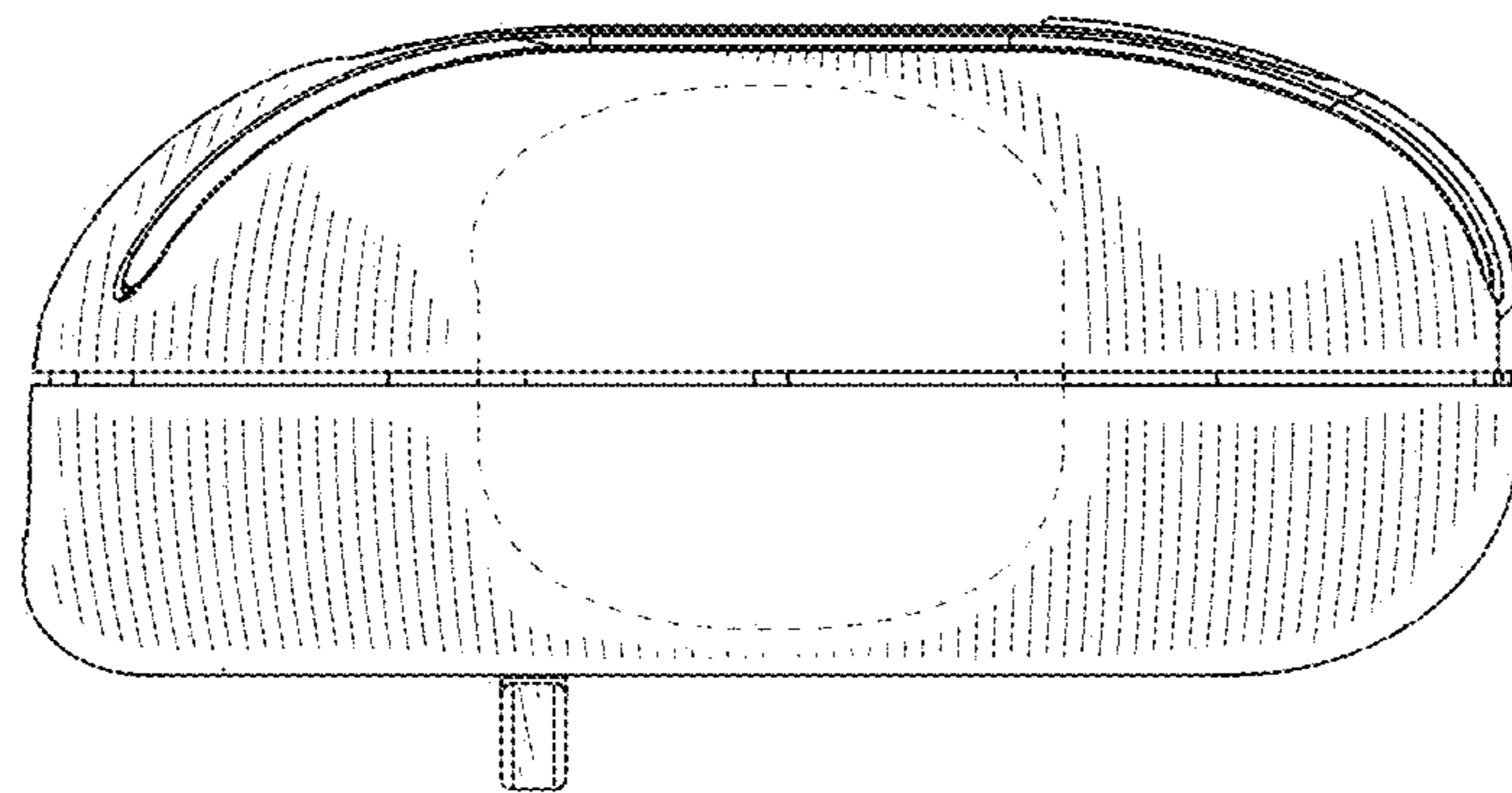


FIG. 14

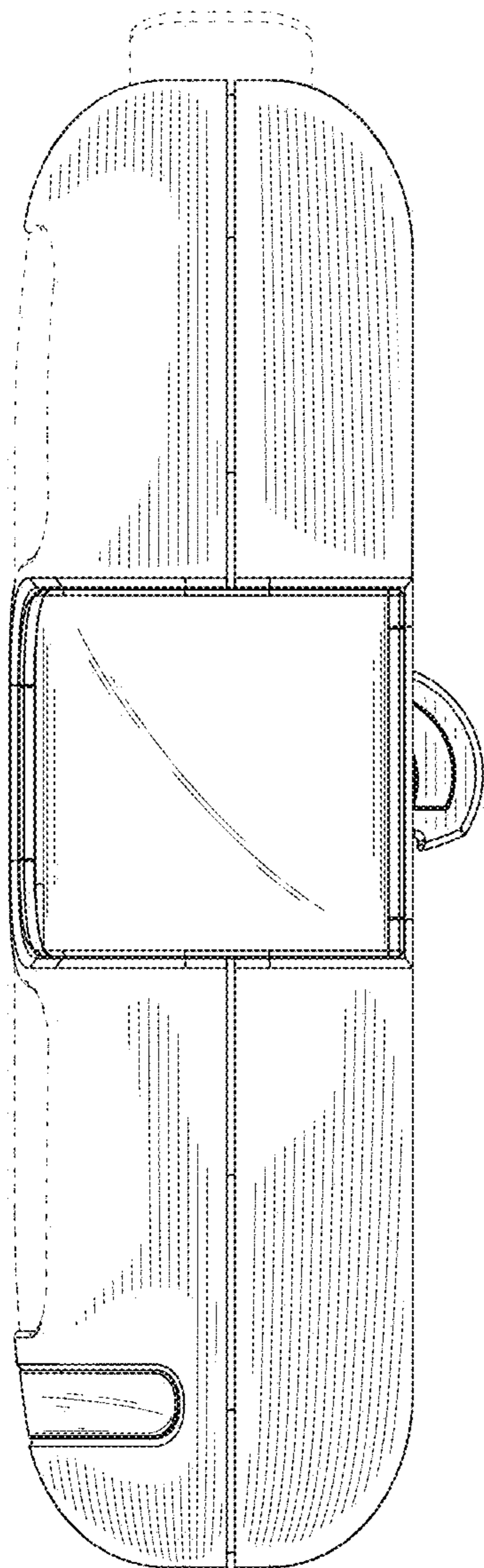


FIG. 15

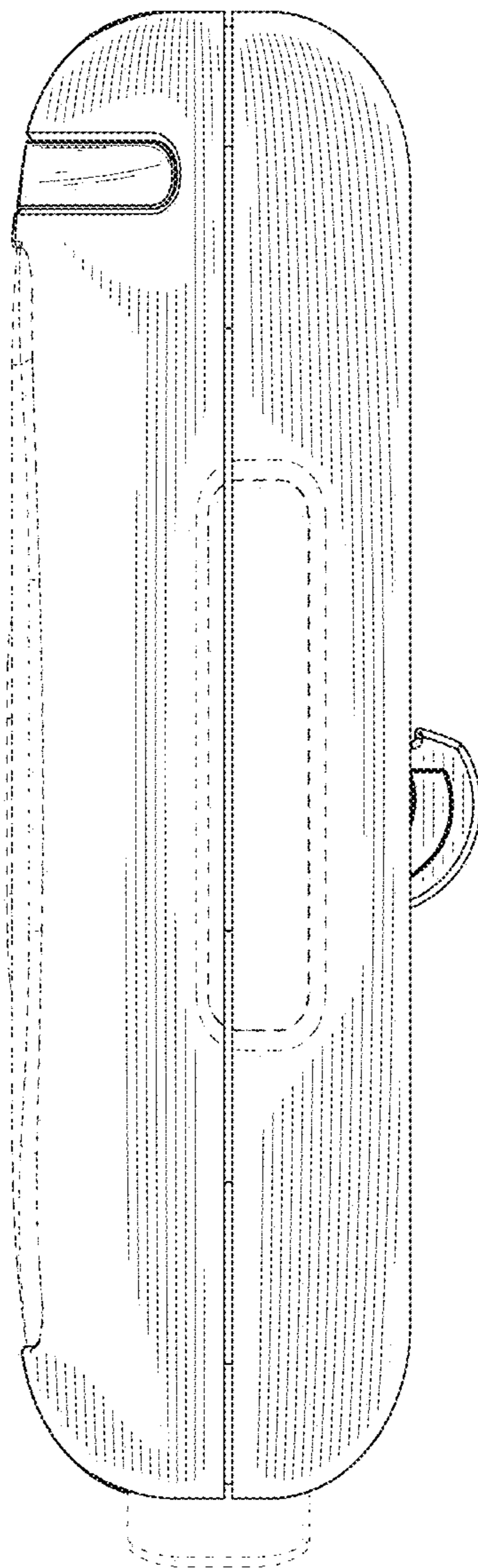


FIG. 16

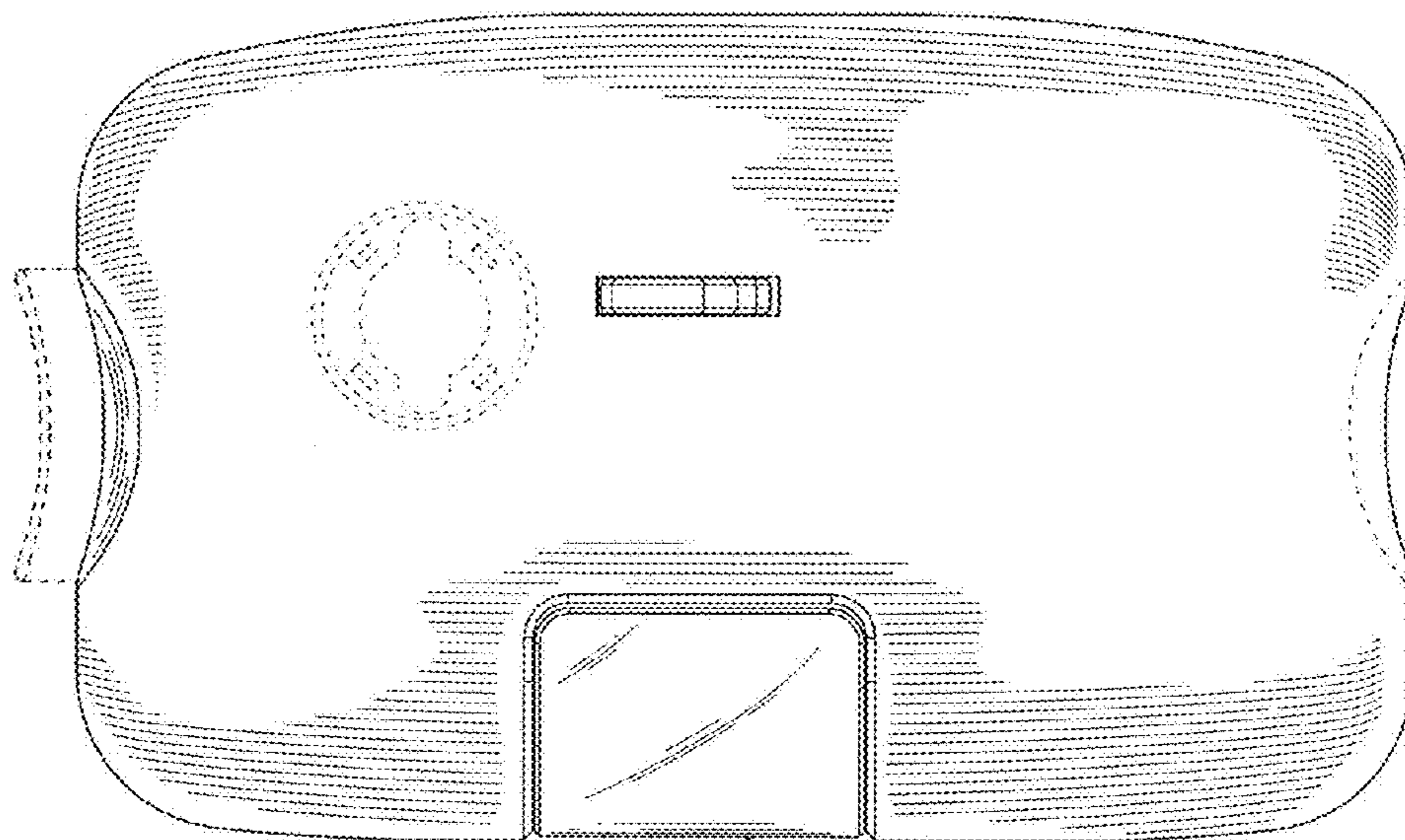


FIG. 18

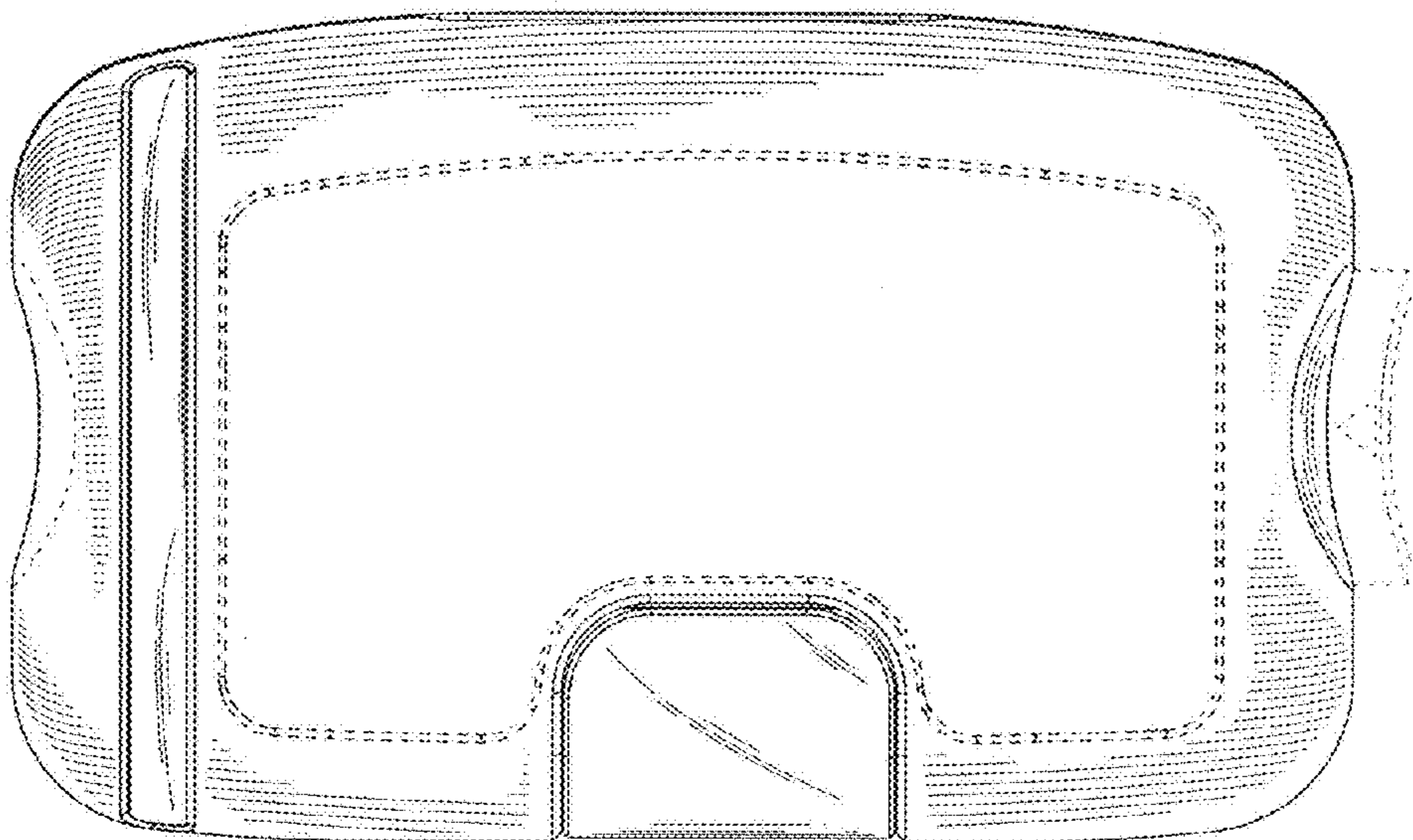


FIG. 17

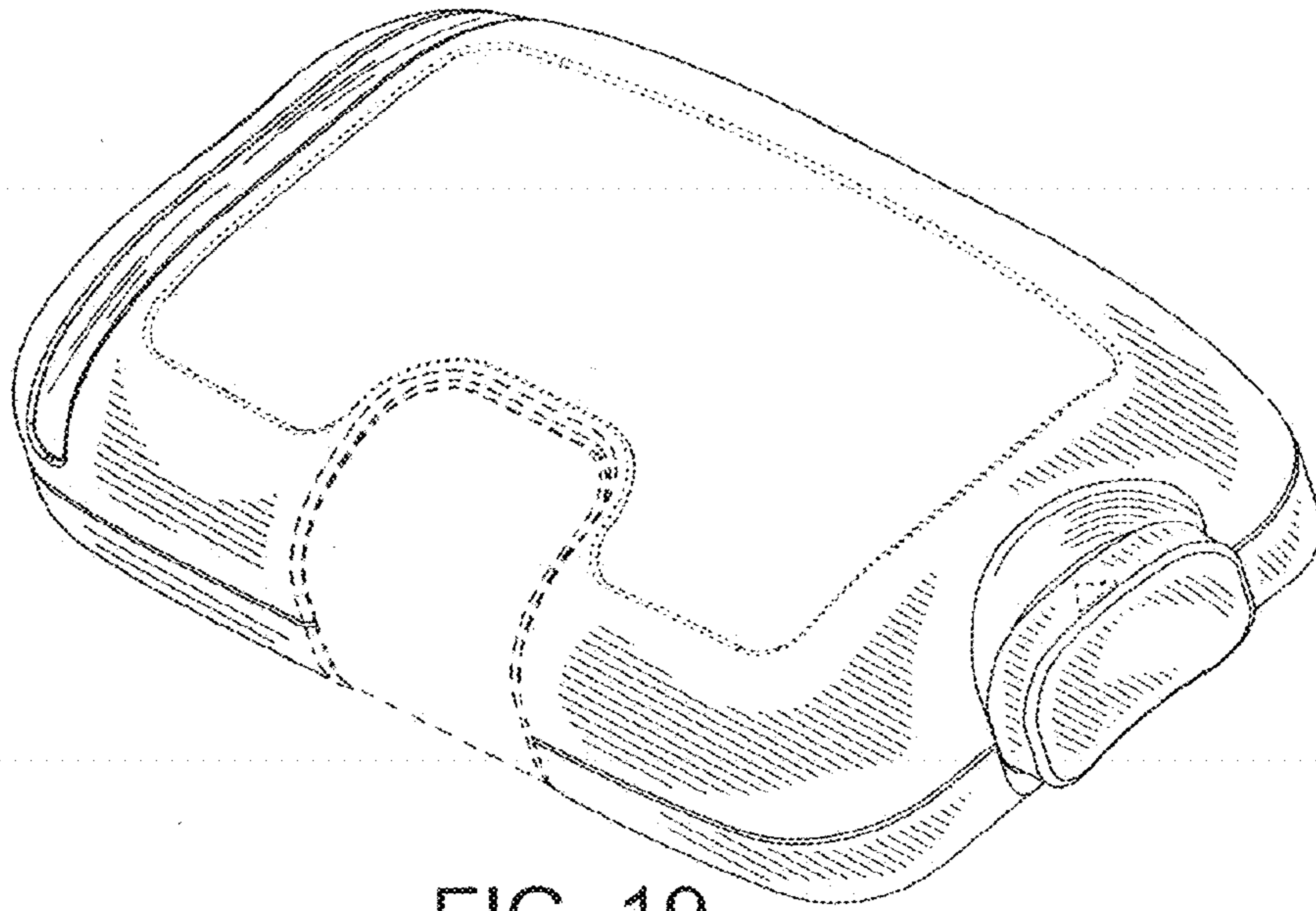


FIG. 19

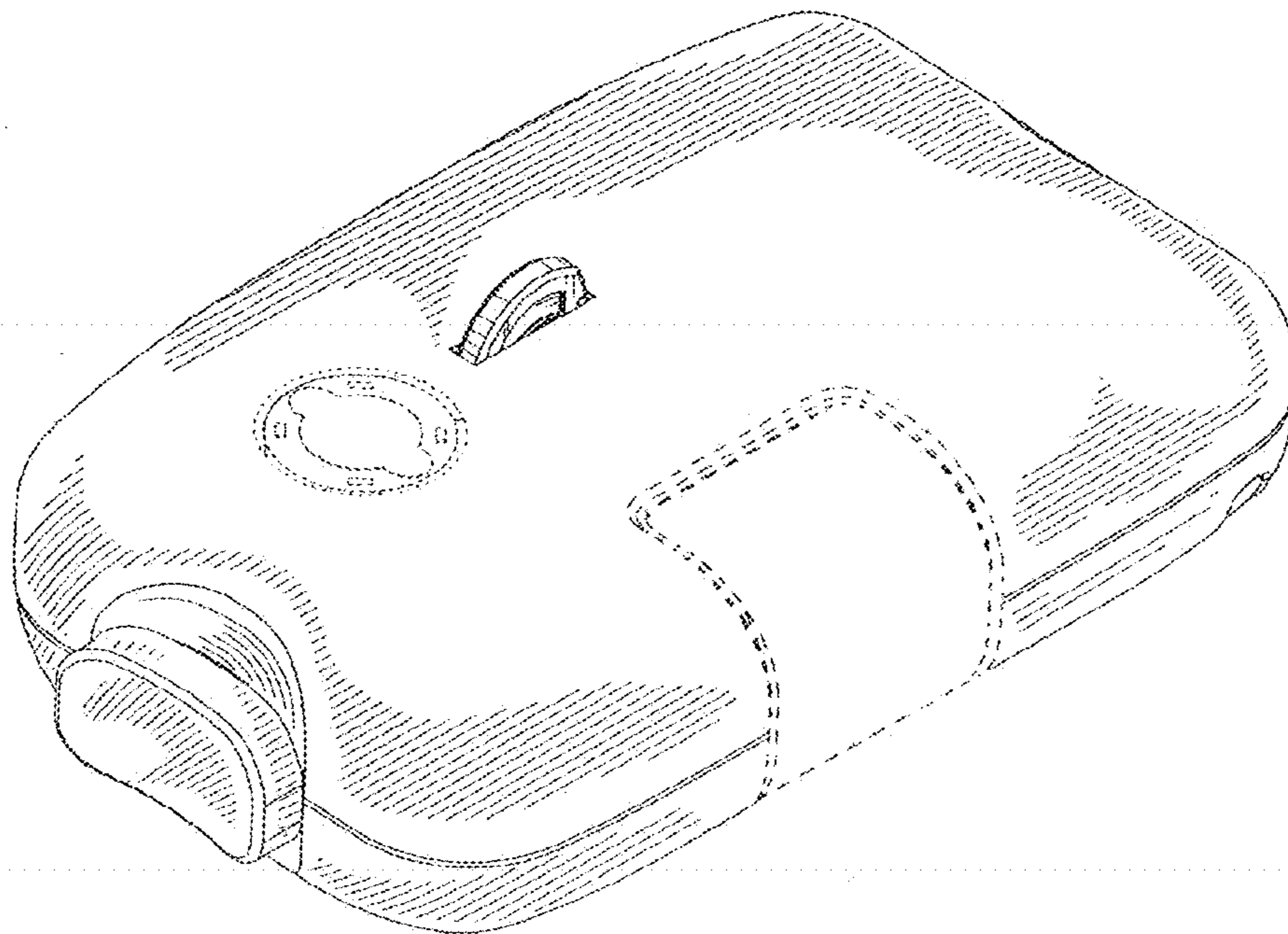


FIG. 20

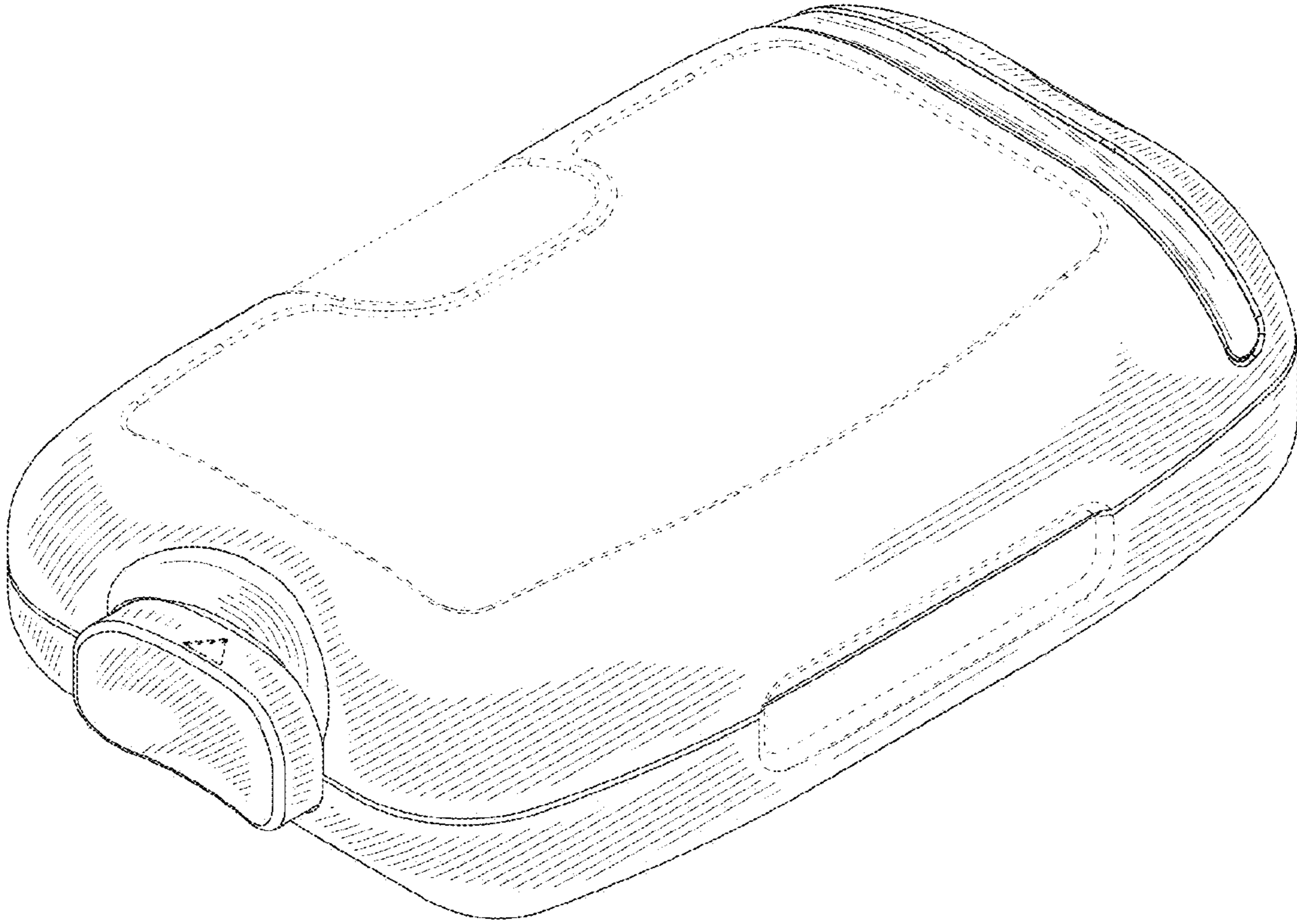


FIG. 21

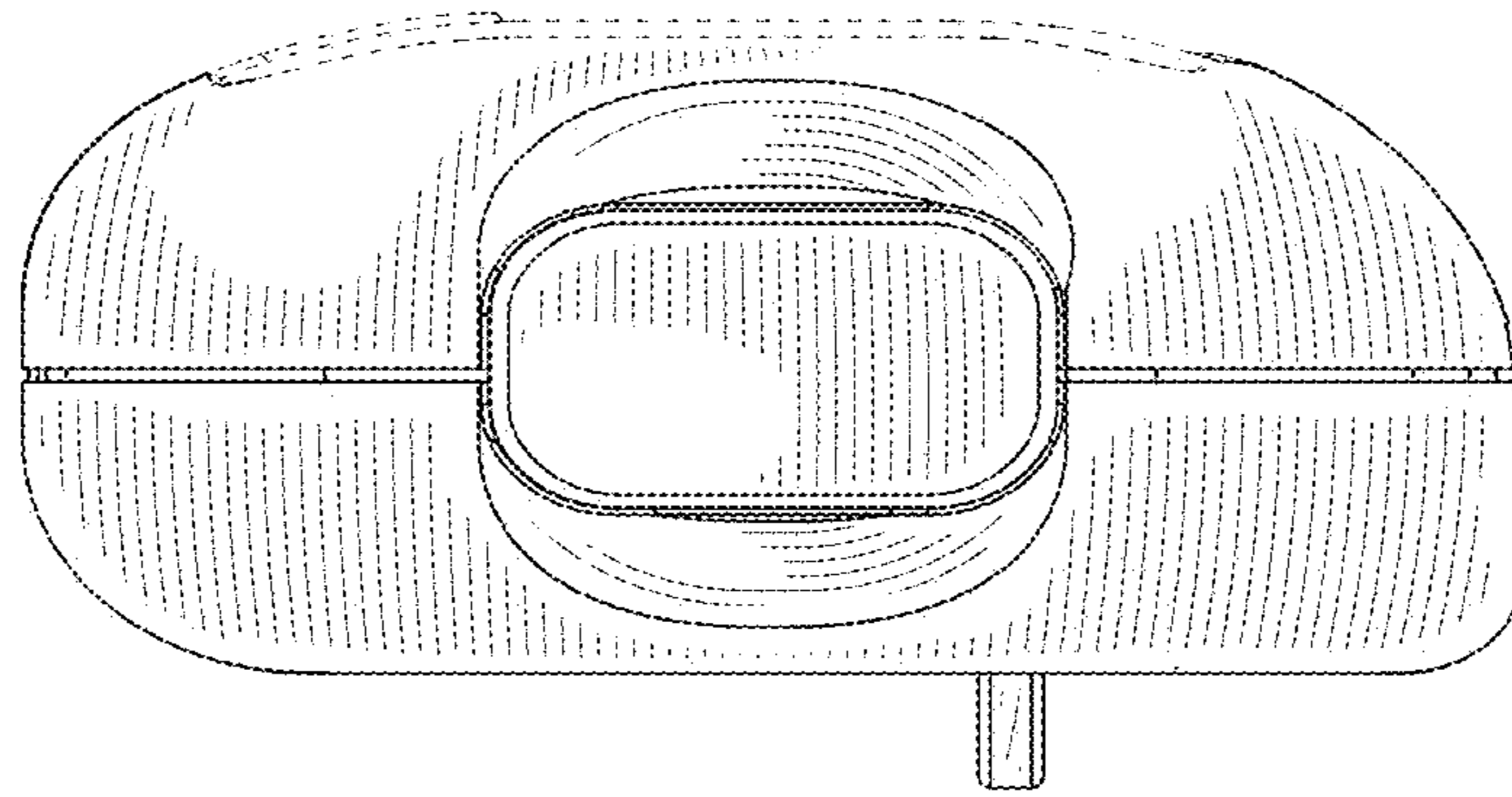


FIG. 22

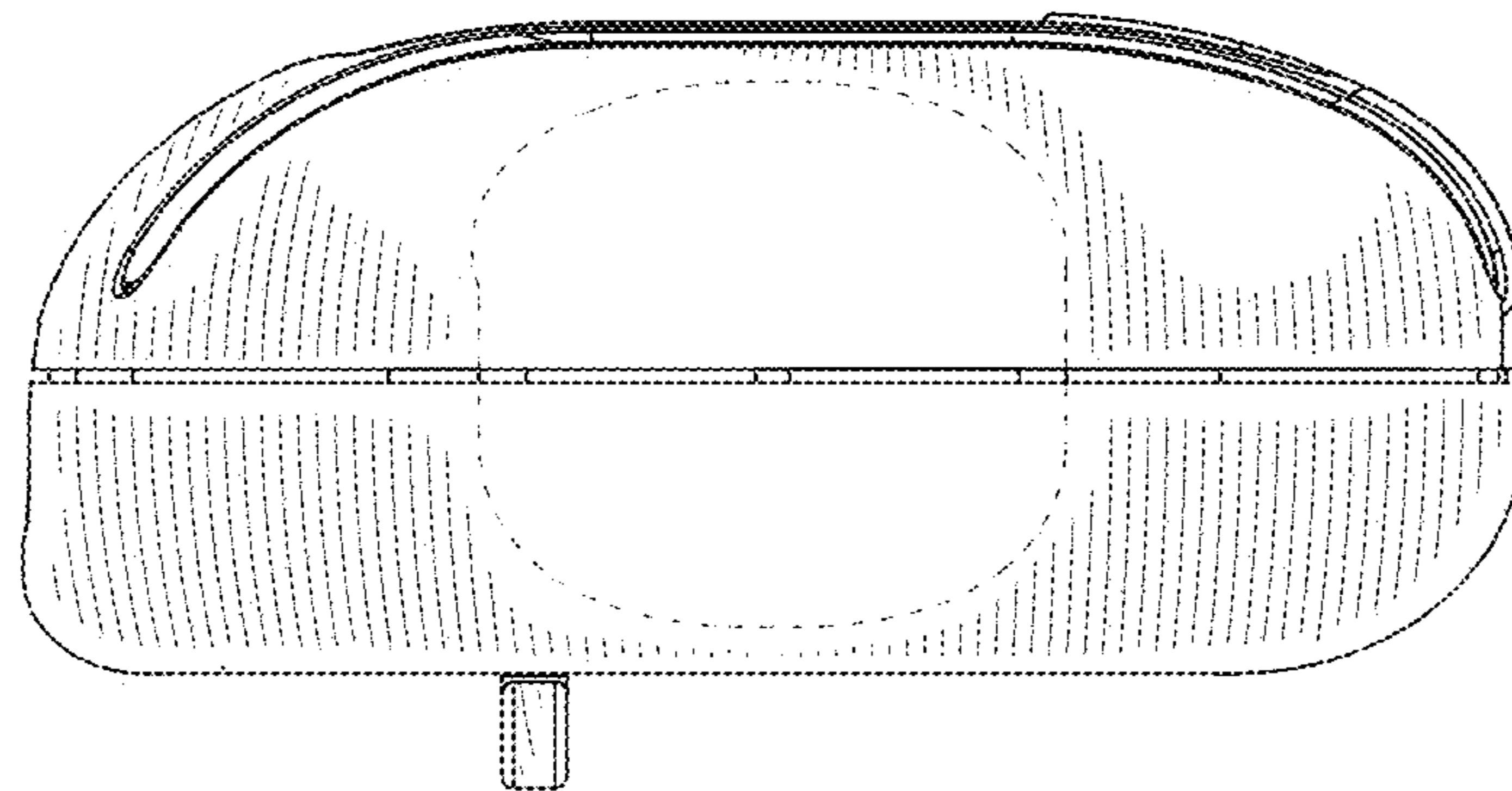


FIG. 23

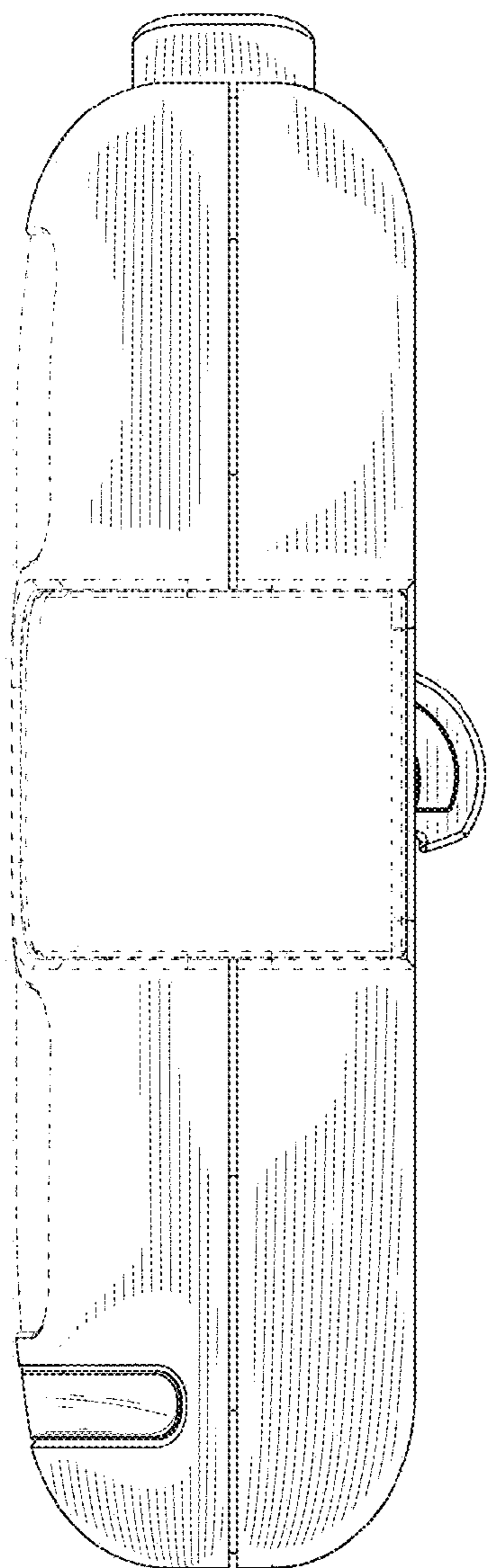


FIG. 24

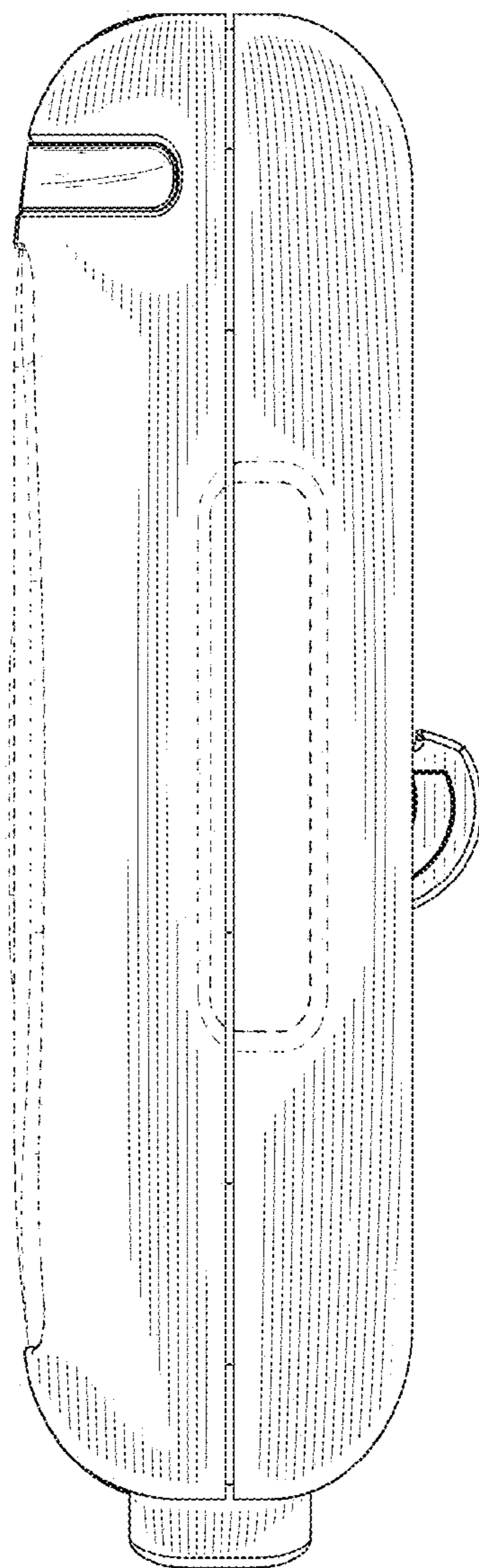


FIG. 25



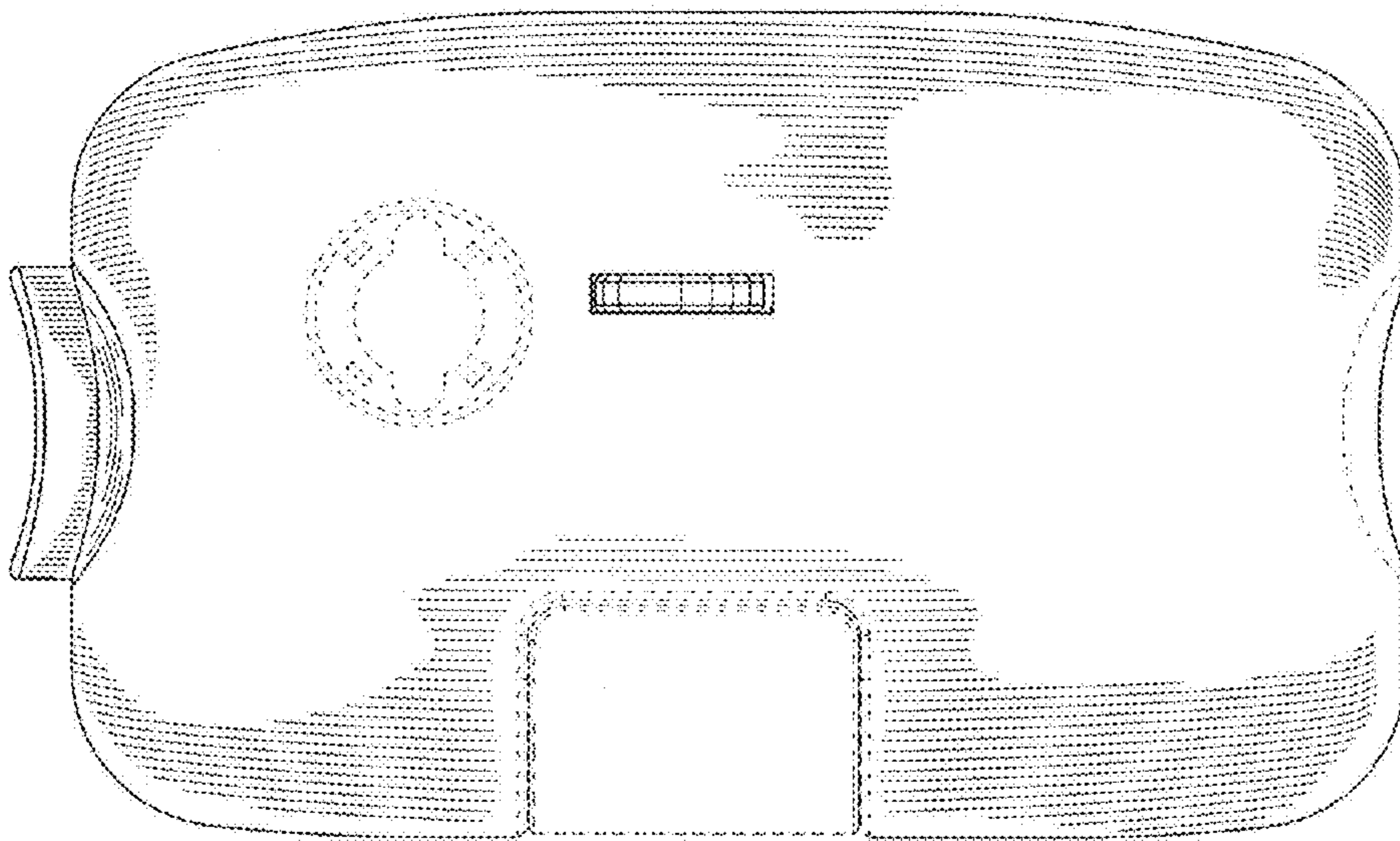


FIG. 27

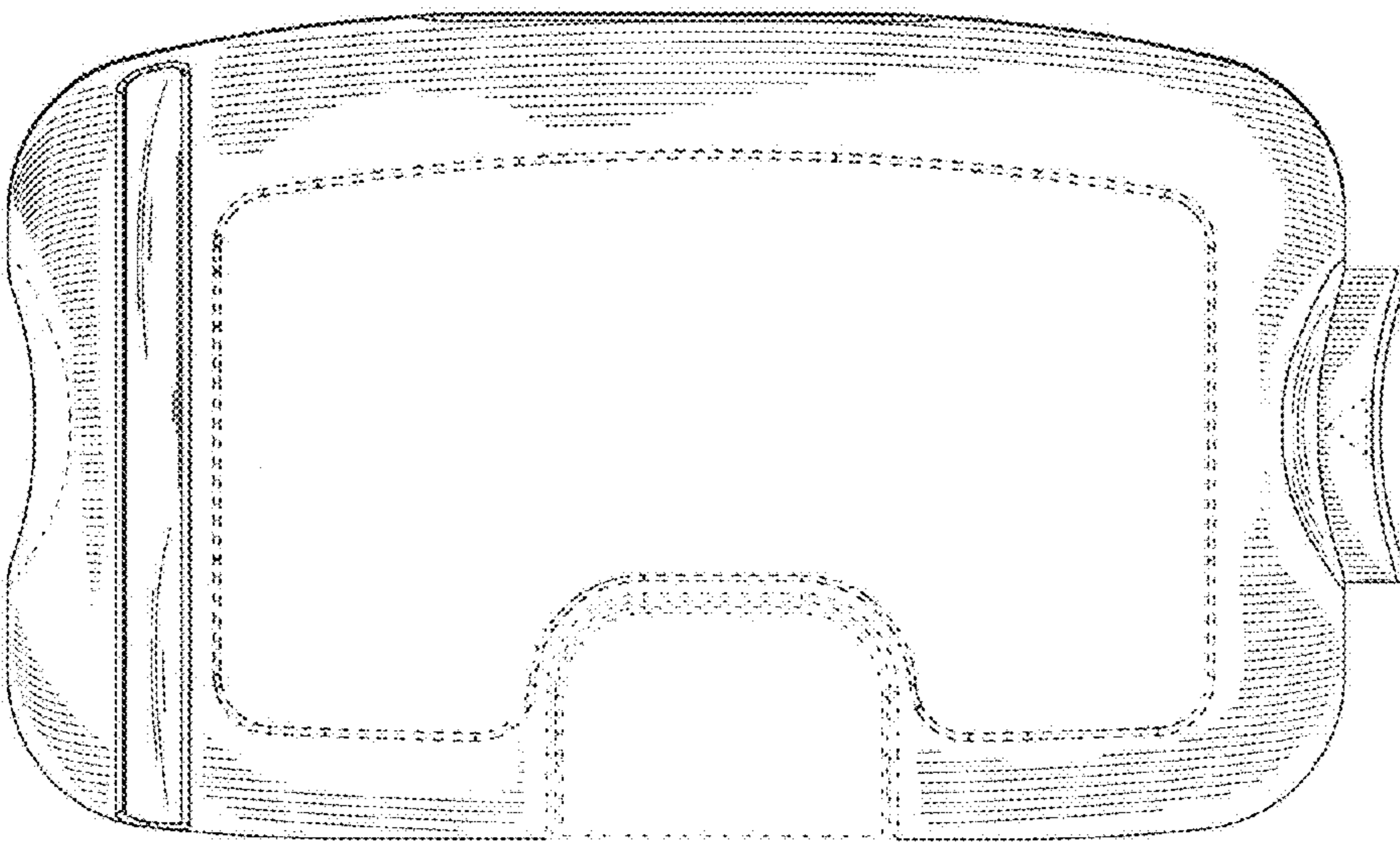


FIG. 26

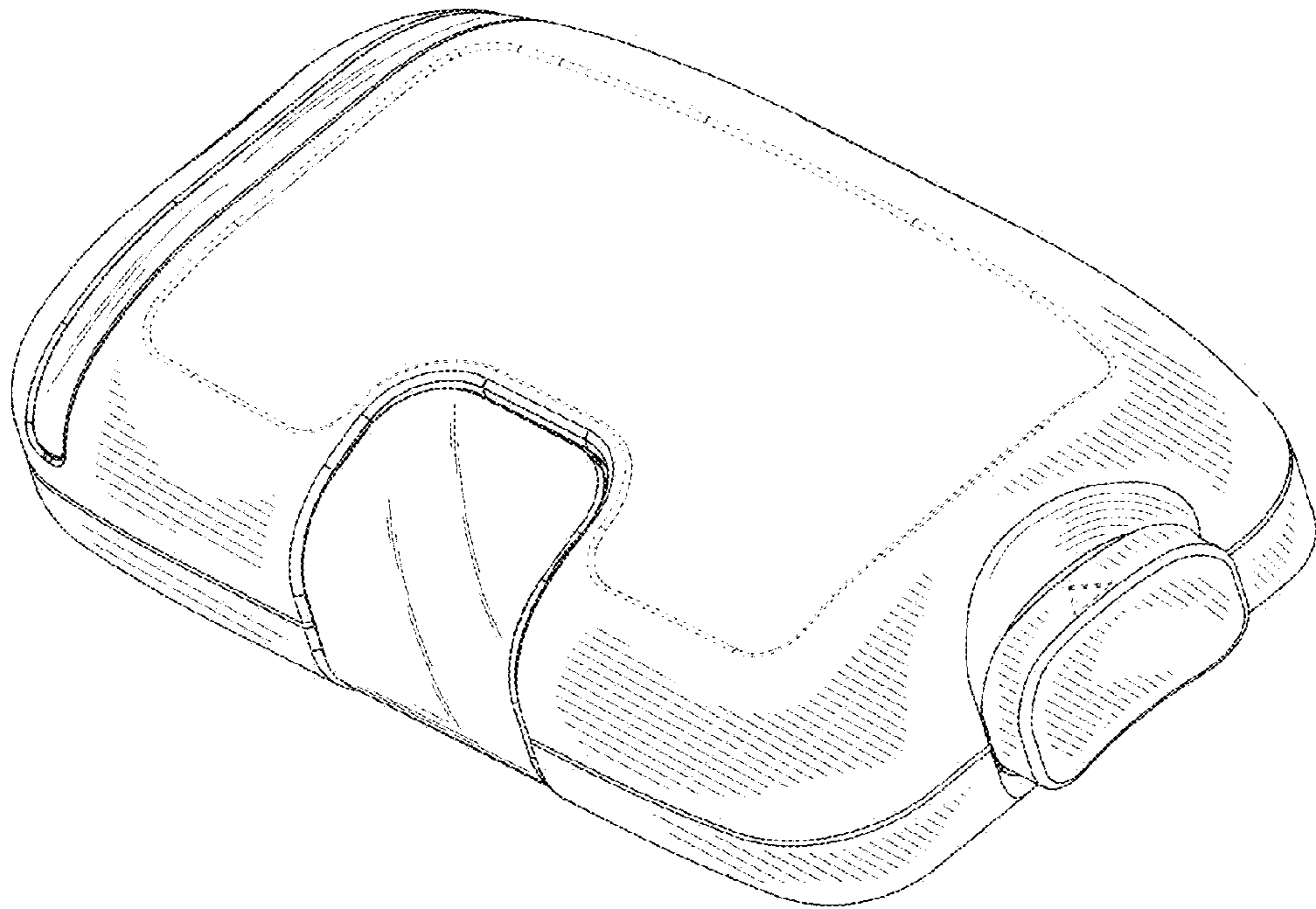


FIG. 28

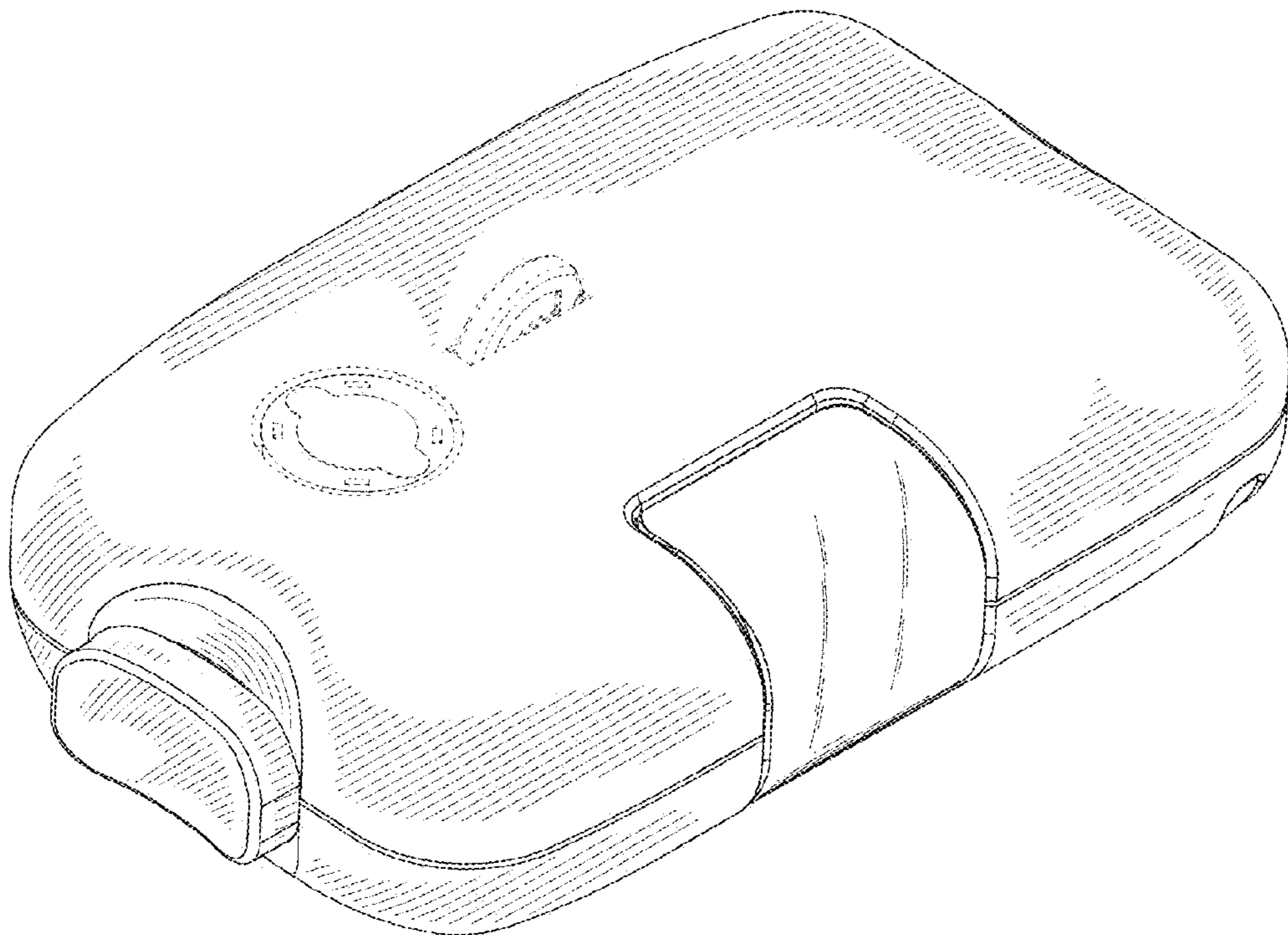


FIG. 29

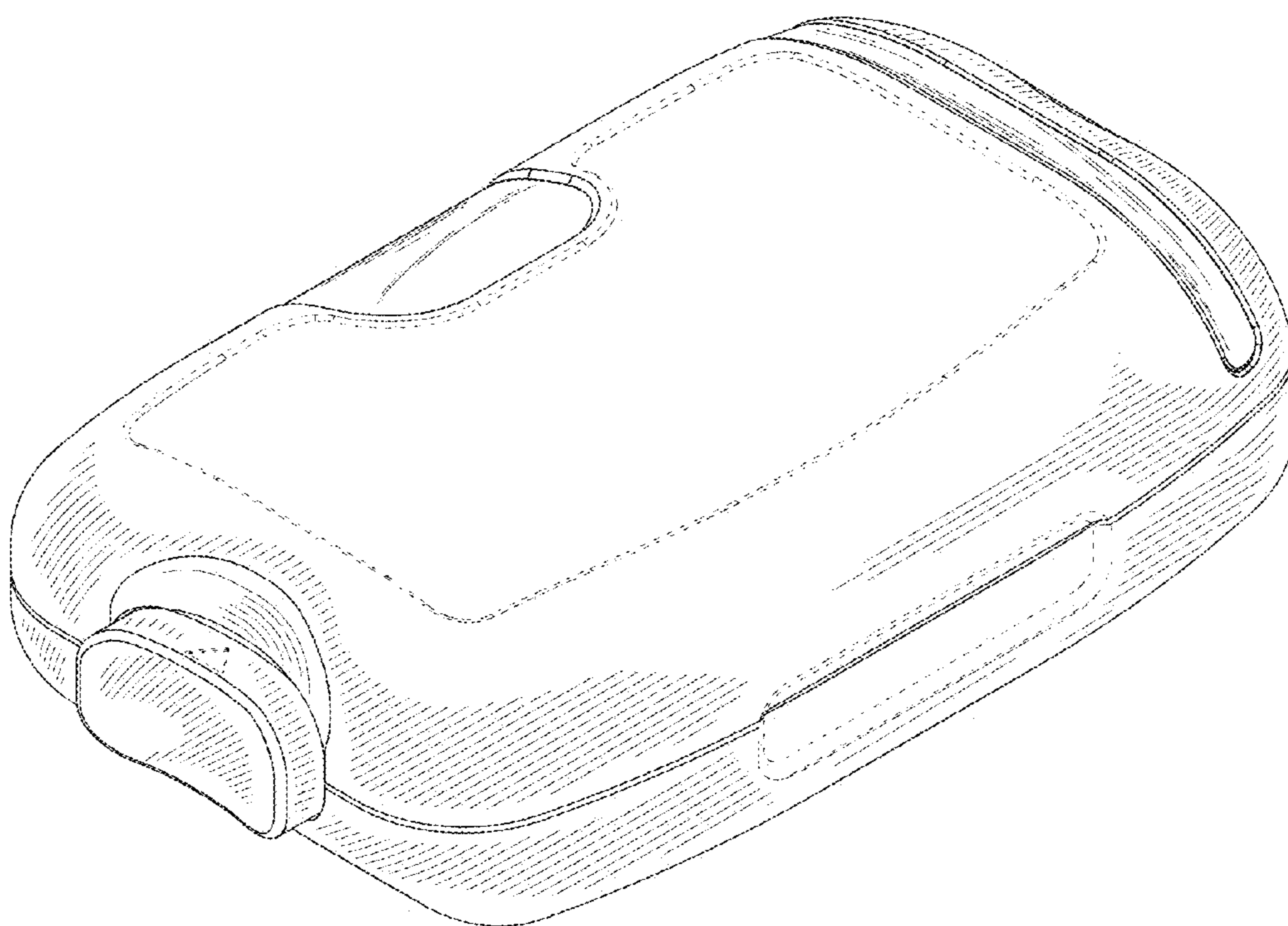


FIG. 30

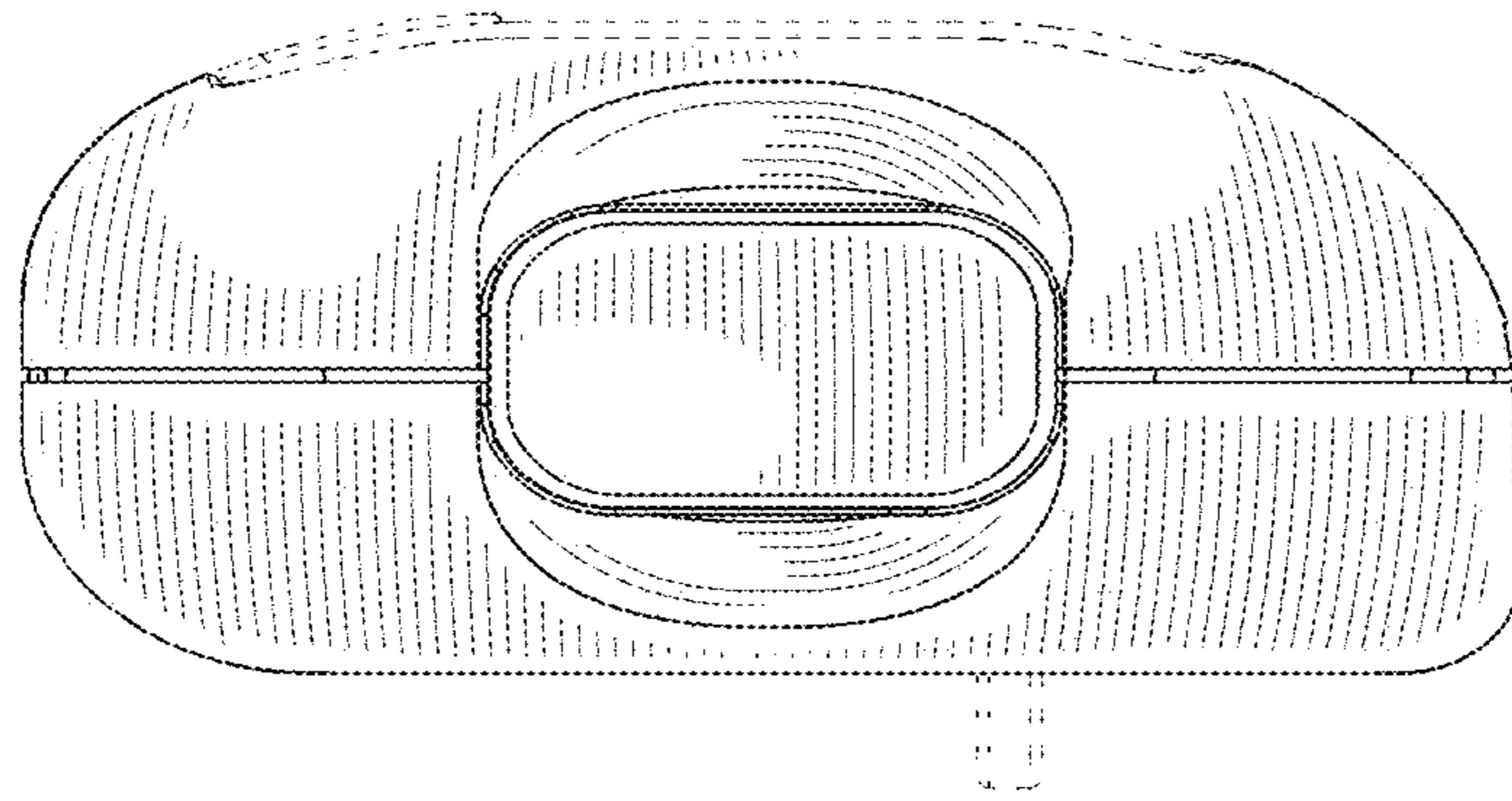


FIG. 31

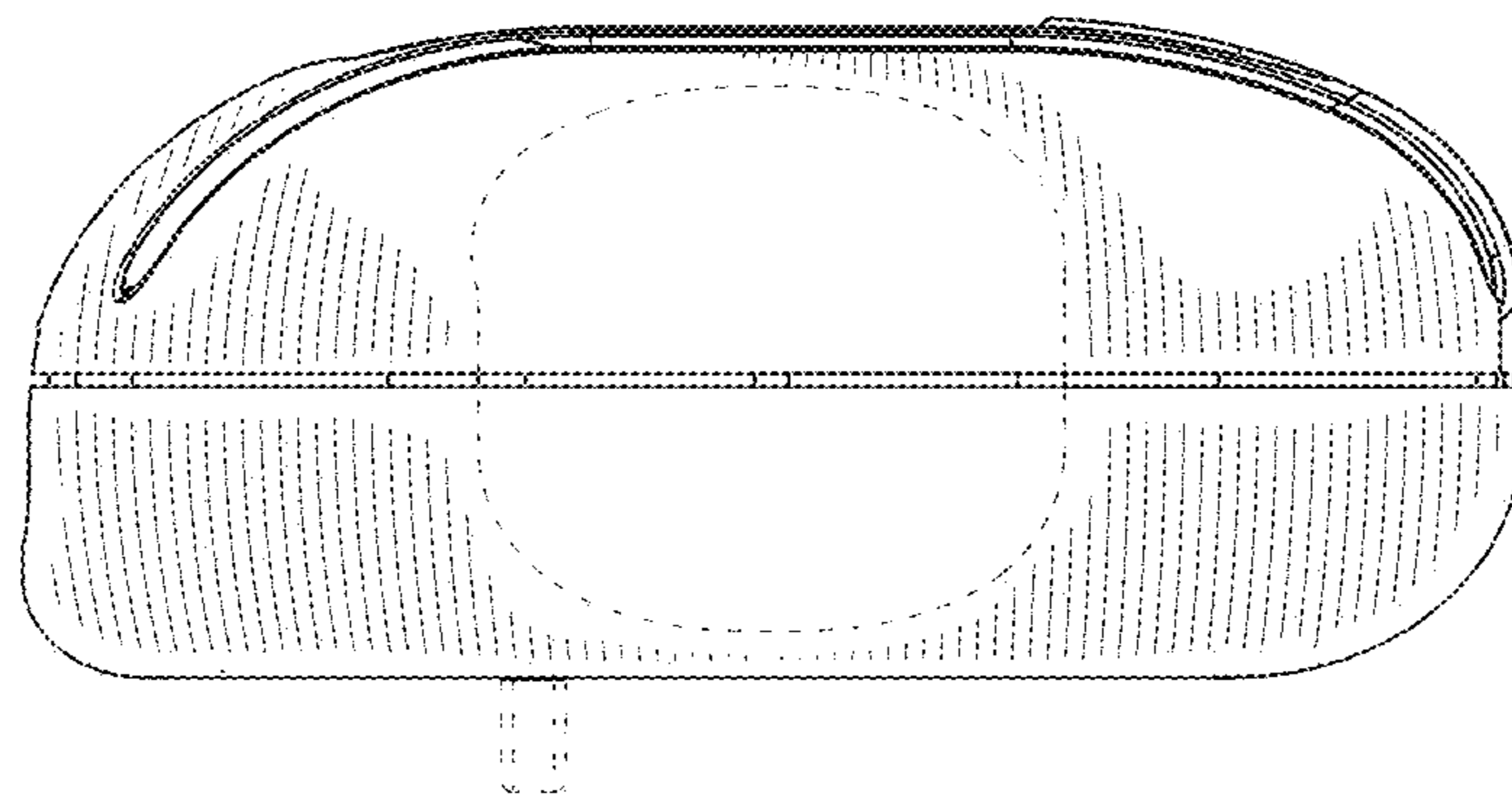


FIG. 32

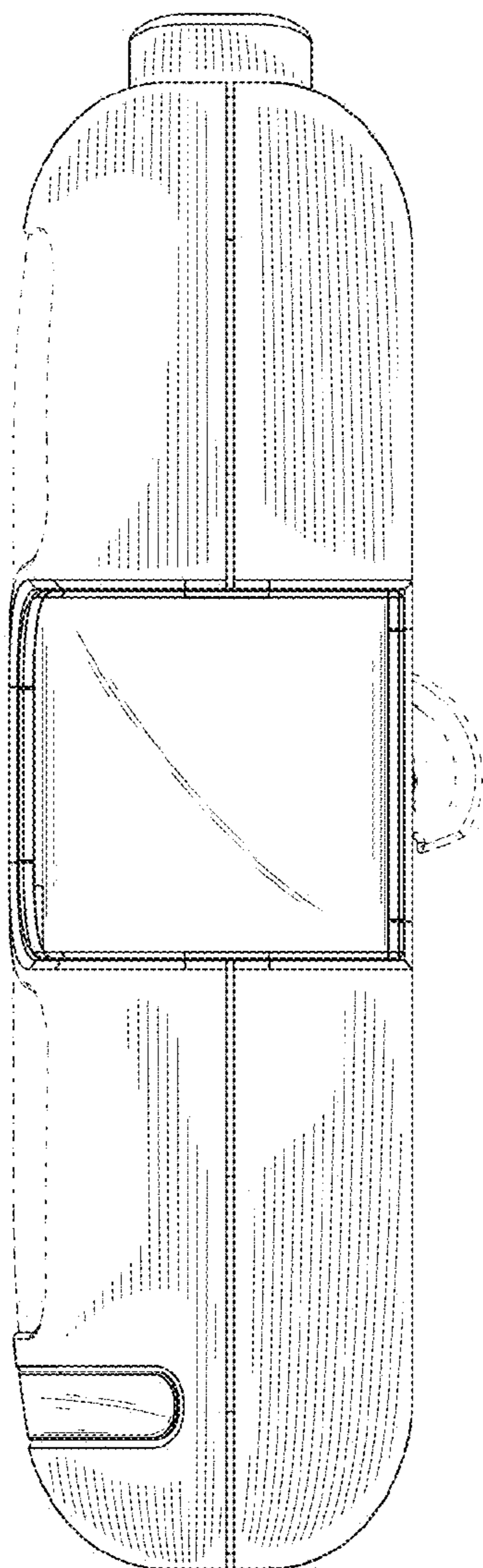


FIG. 33

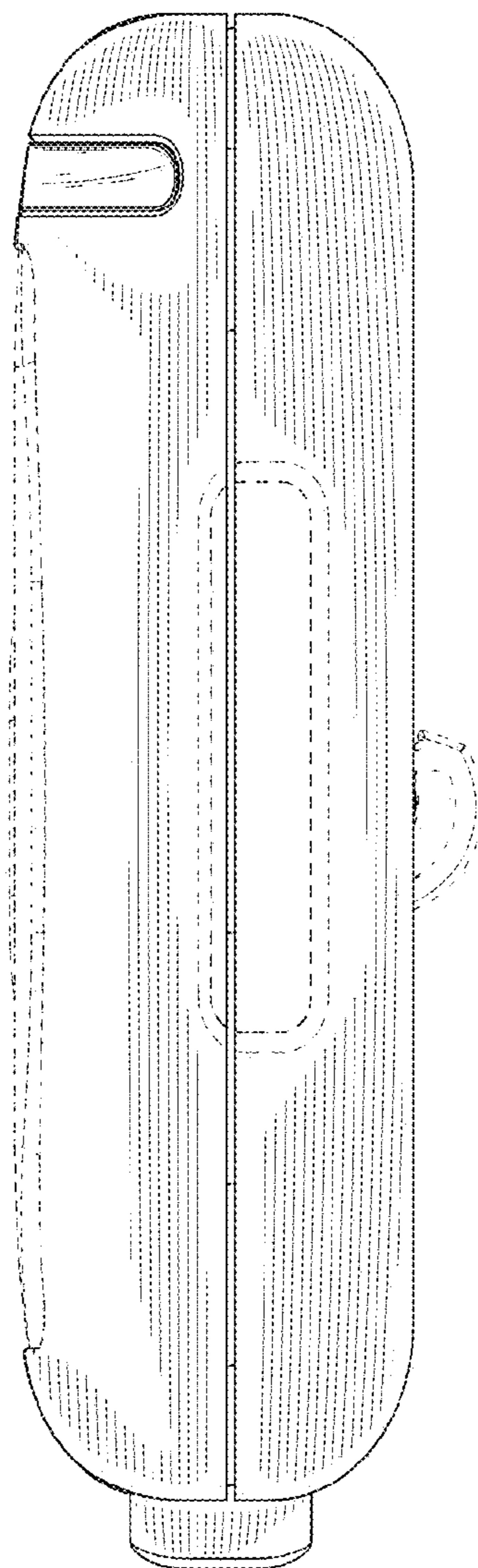


FIG. 34

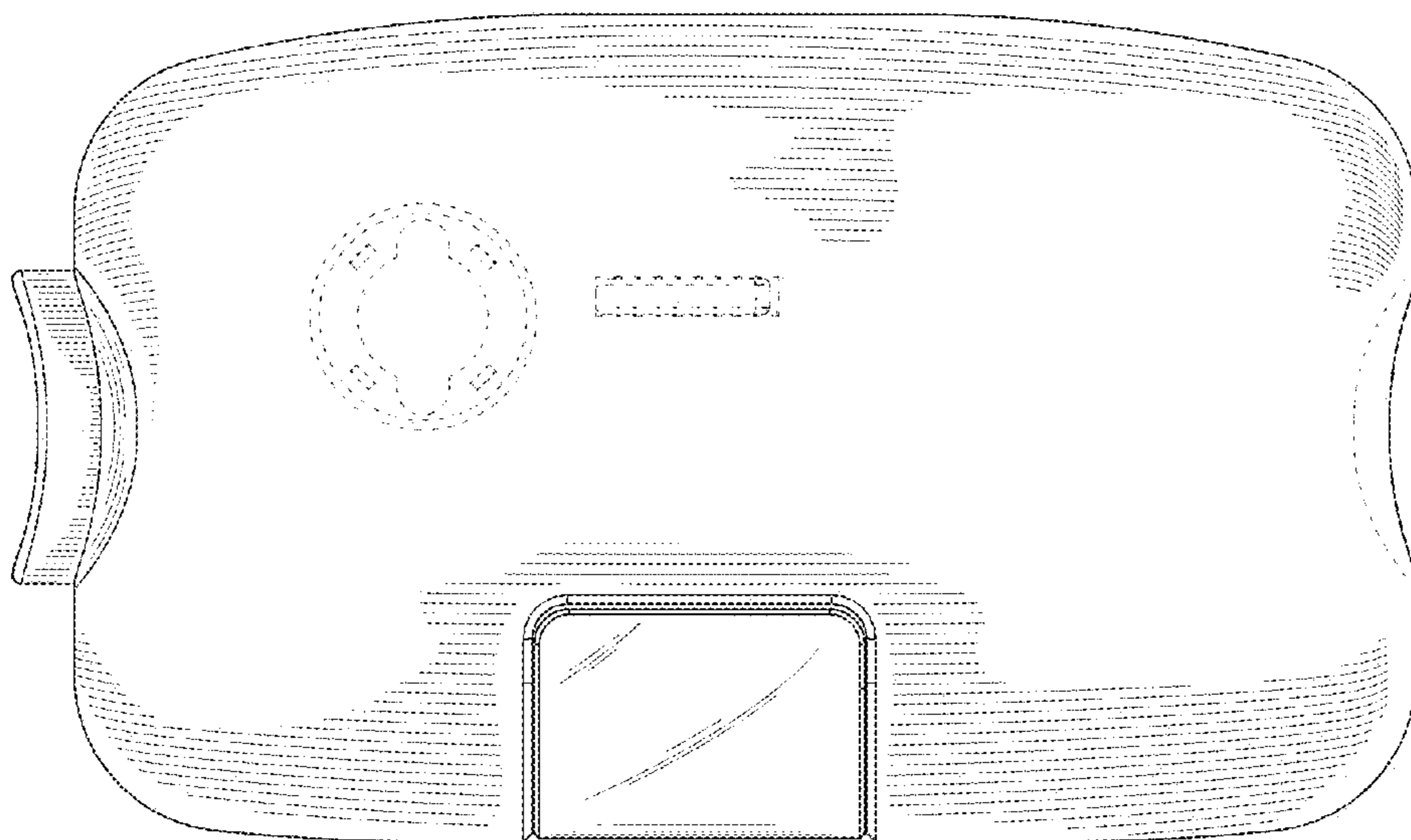


FIG. 36

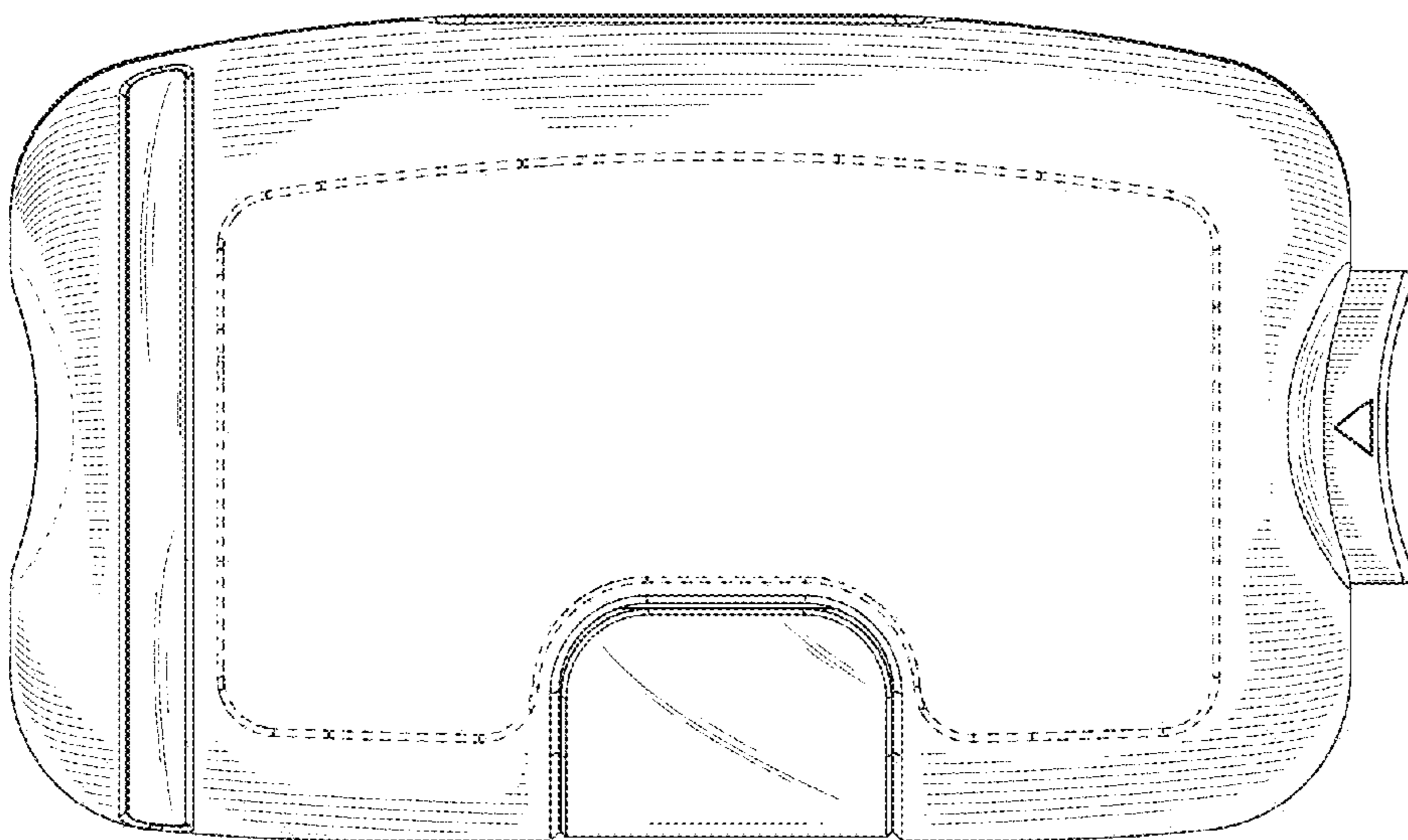


FIG. 35

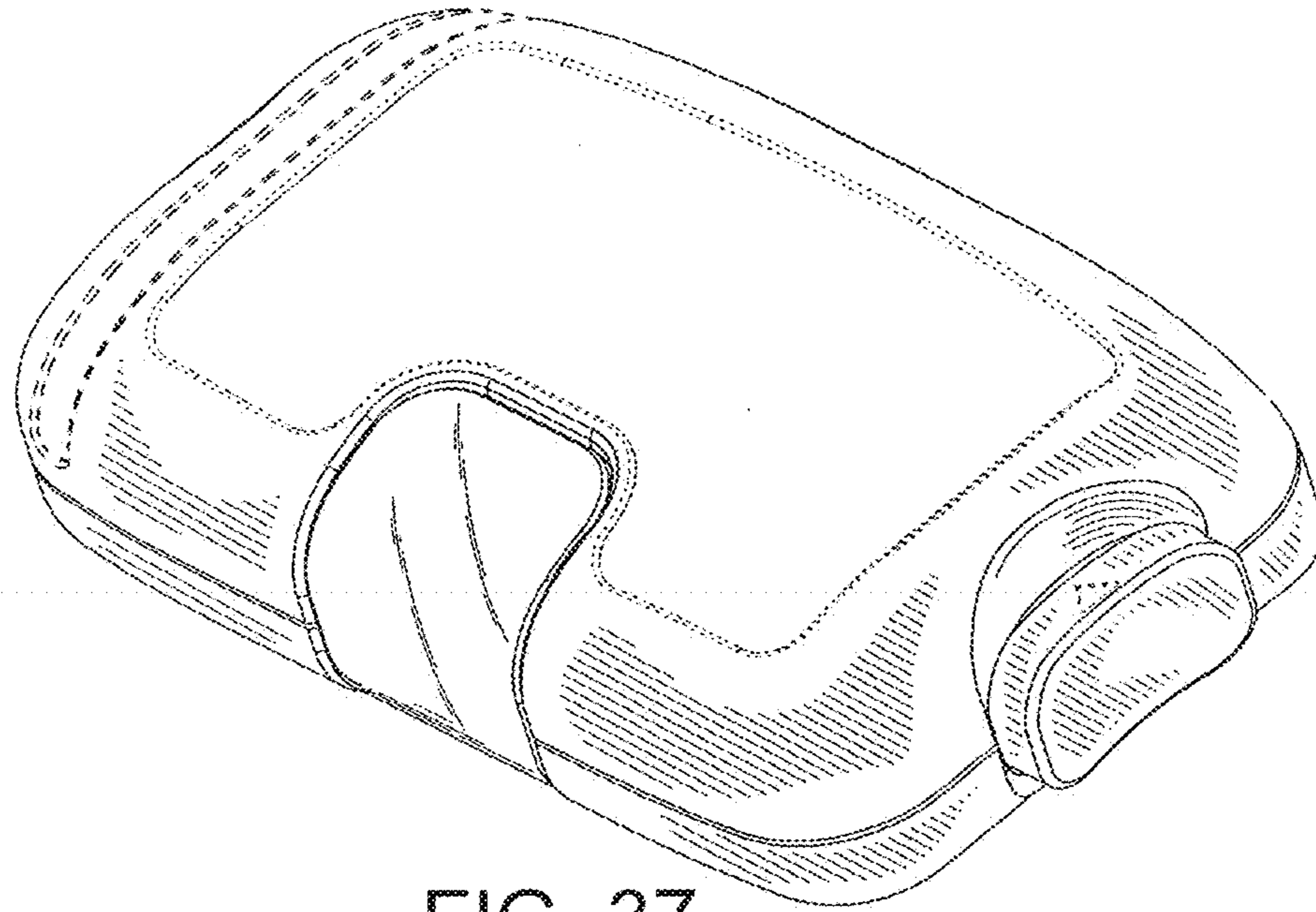


FIG. 37

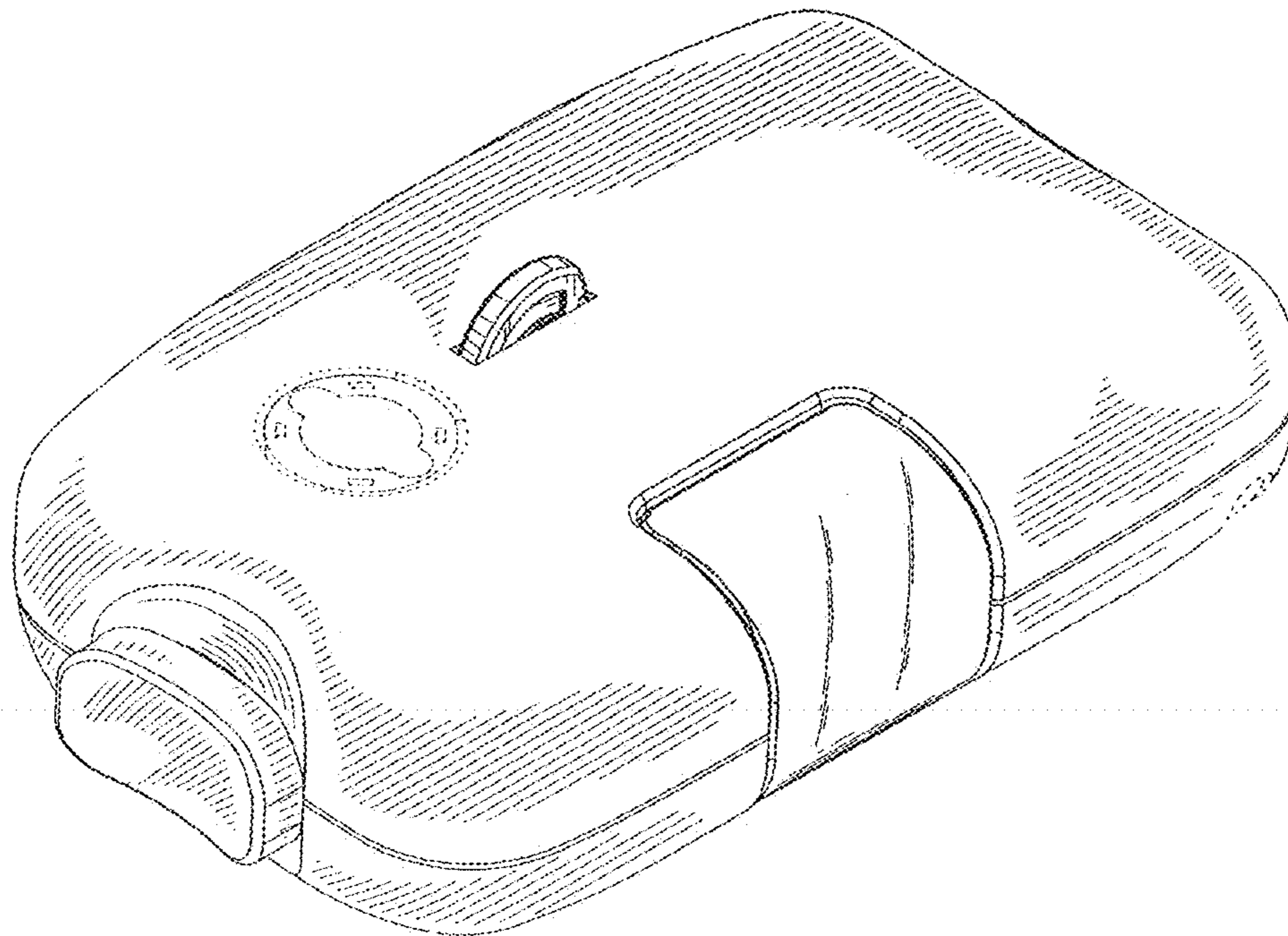


FIG. 38

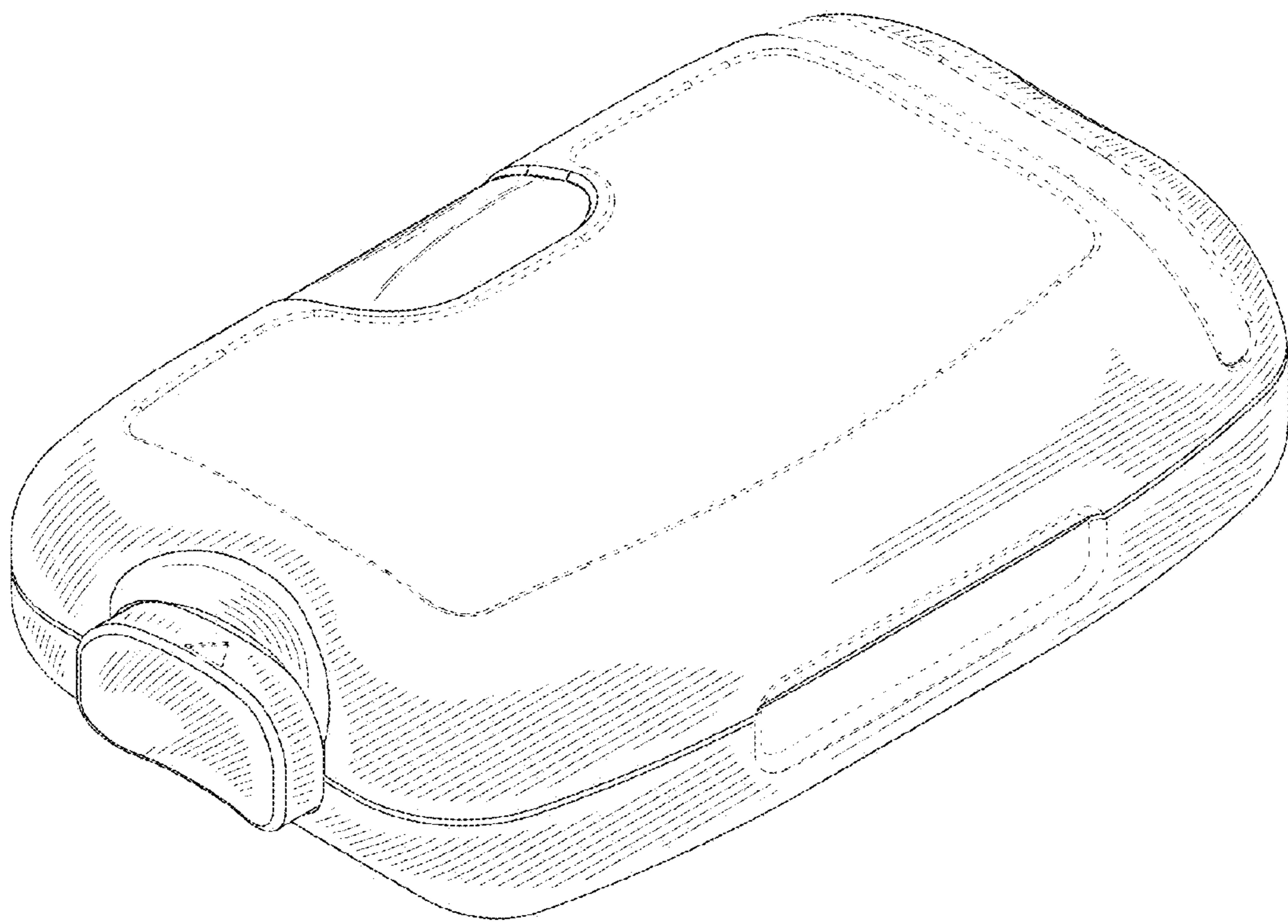


FIG. 39



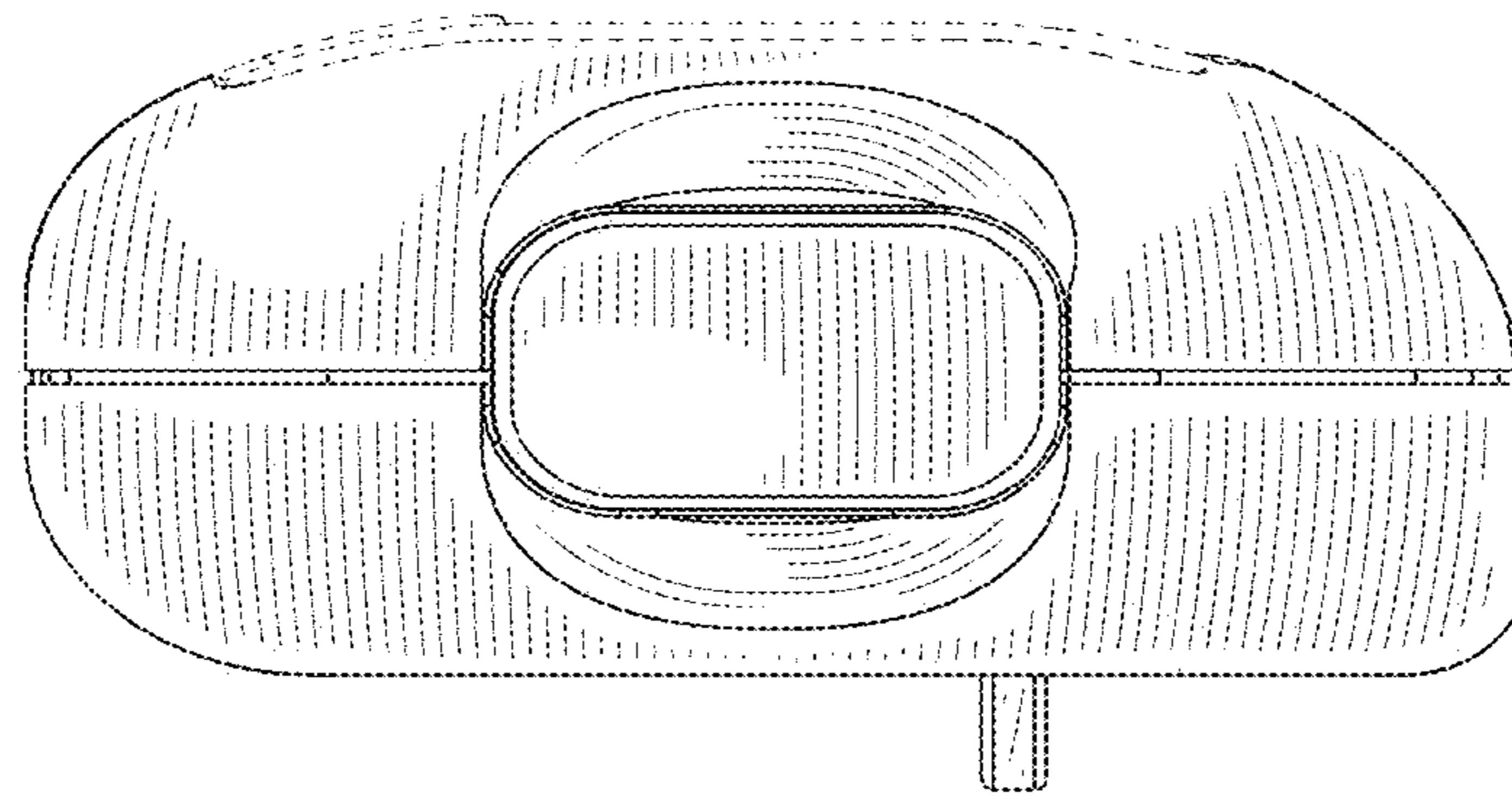


FIG. 40

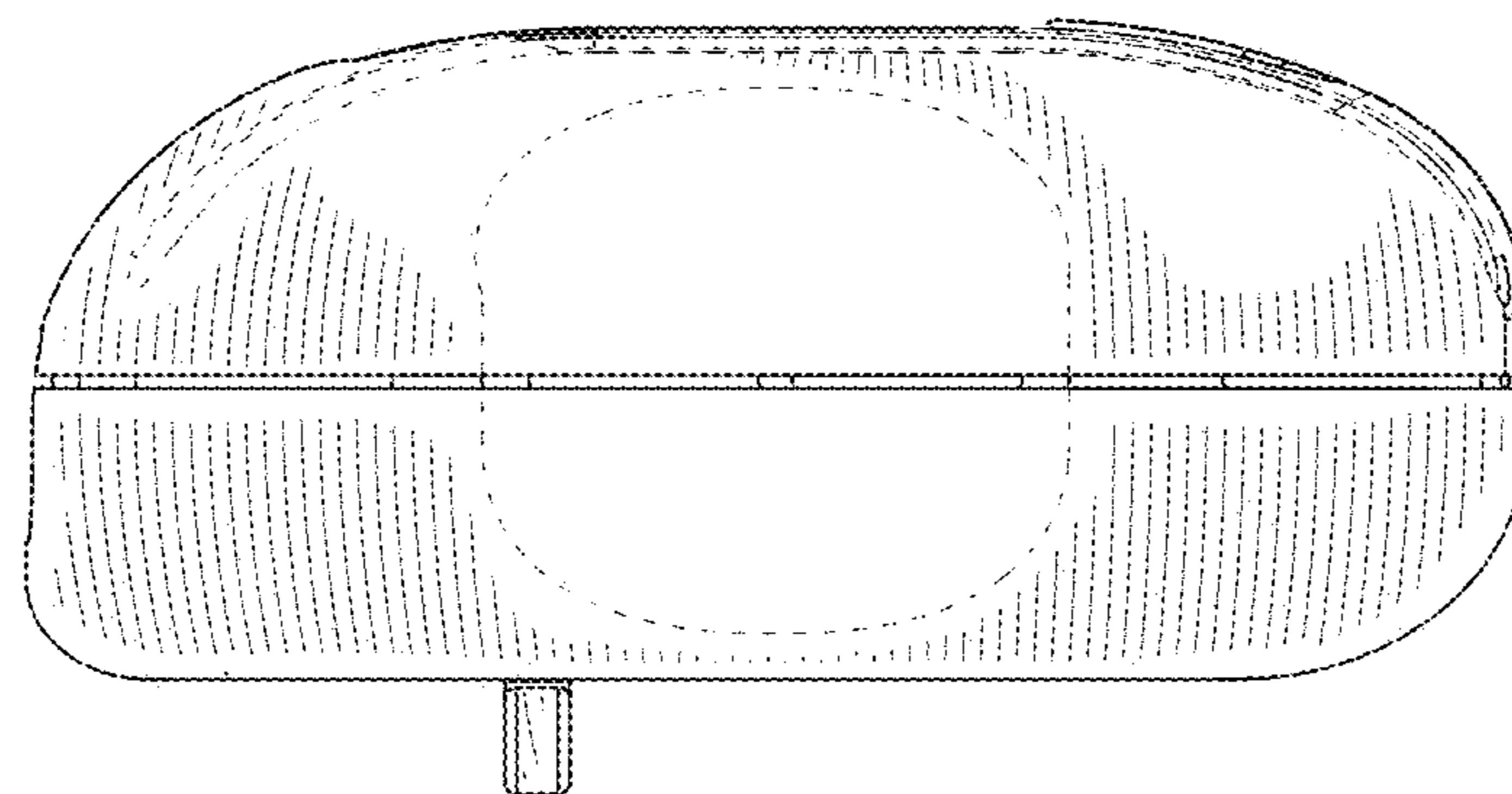


FIG. 41

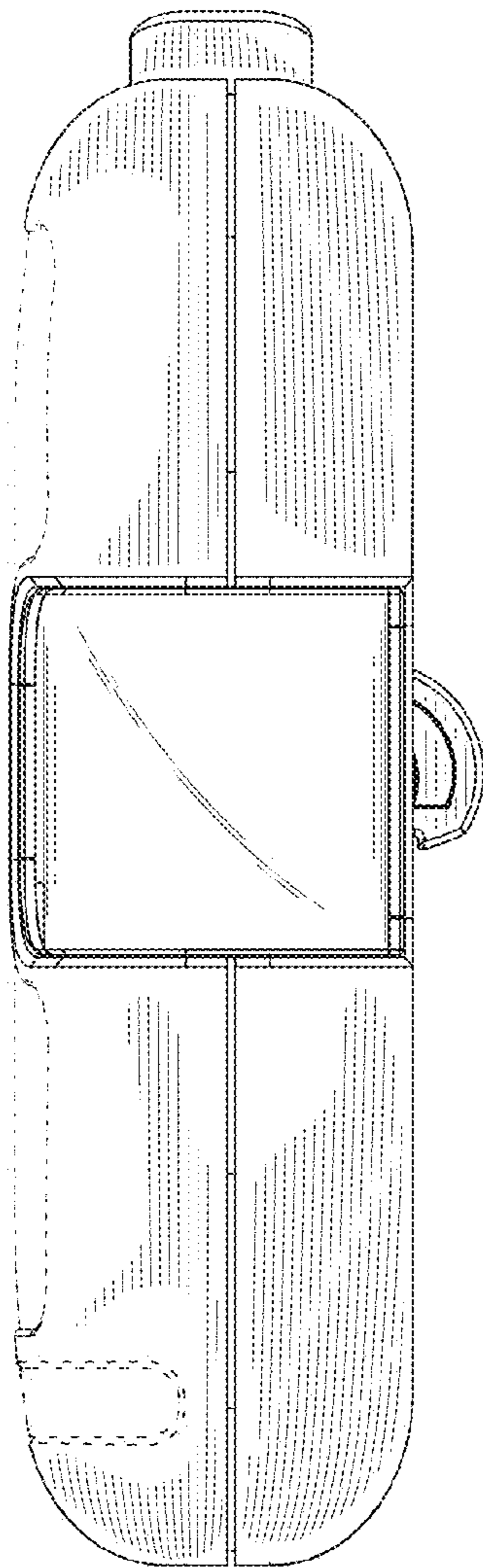


FIG. 42

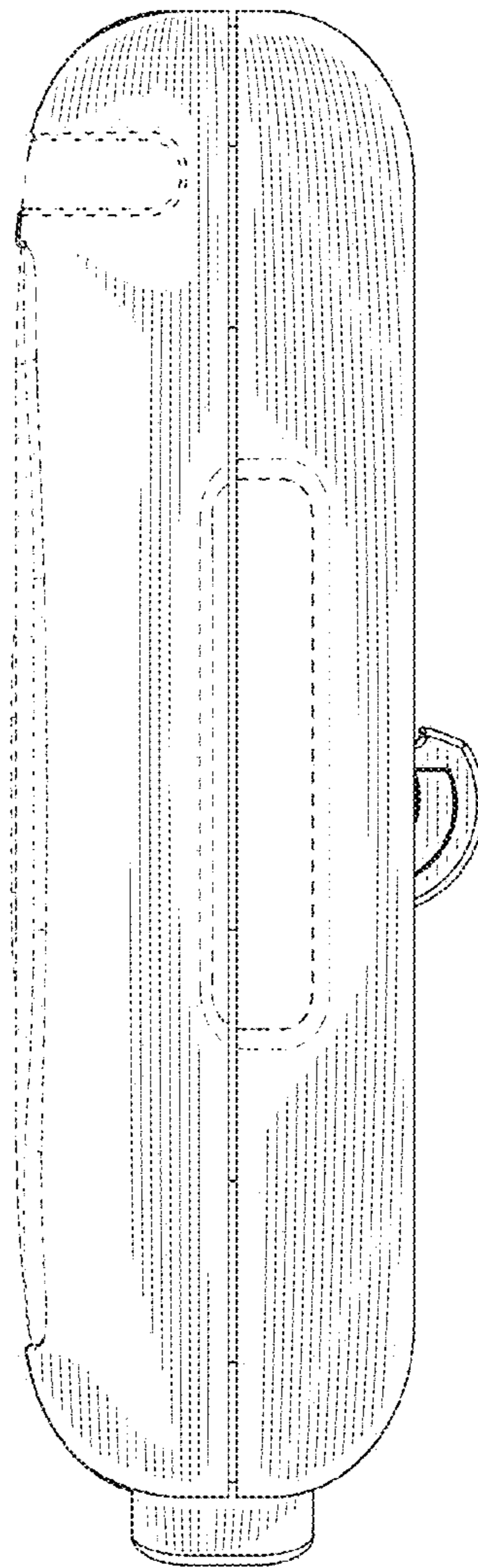


FIG. 43

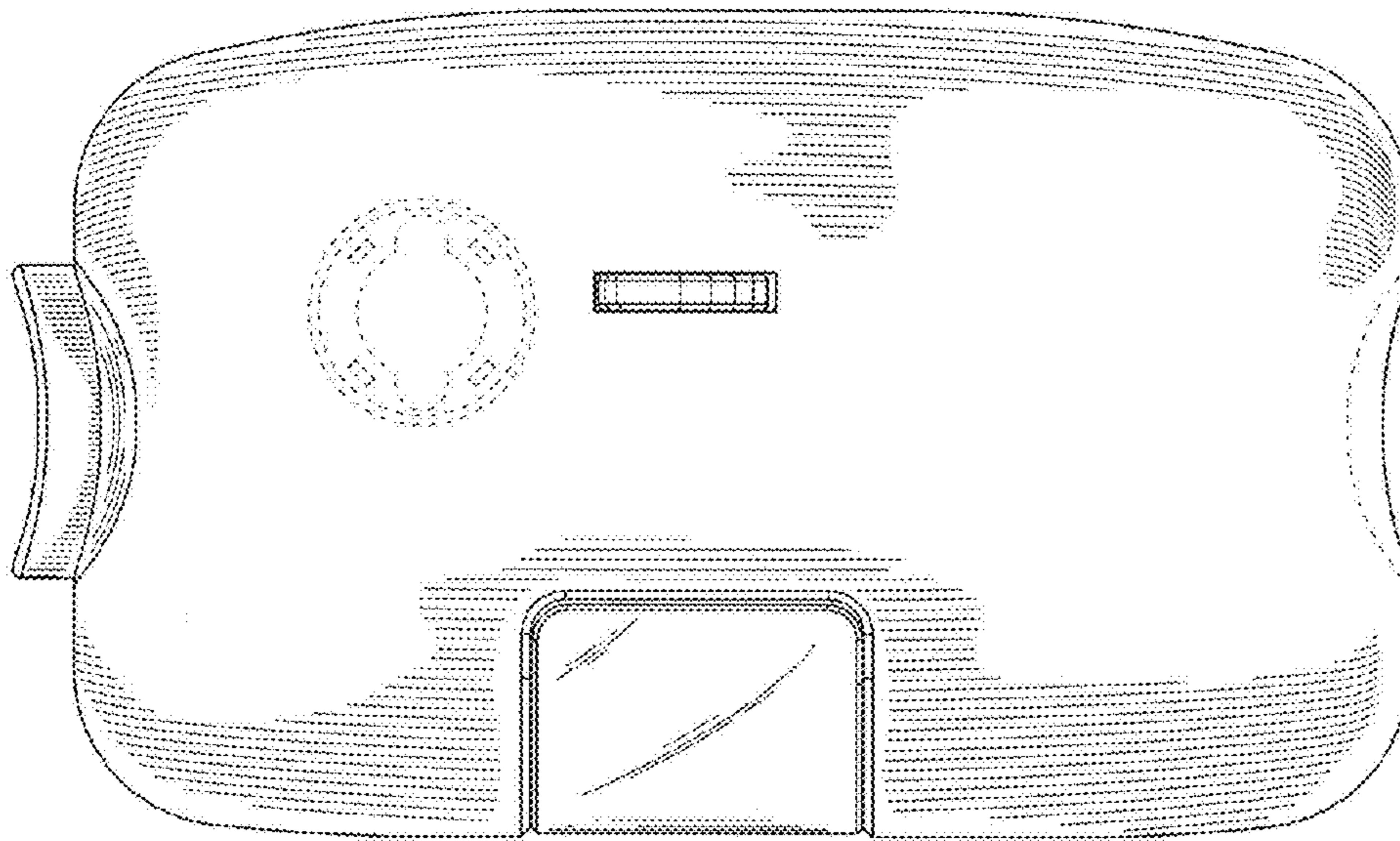


FIG. 45

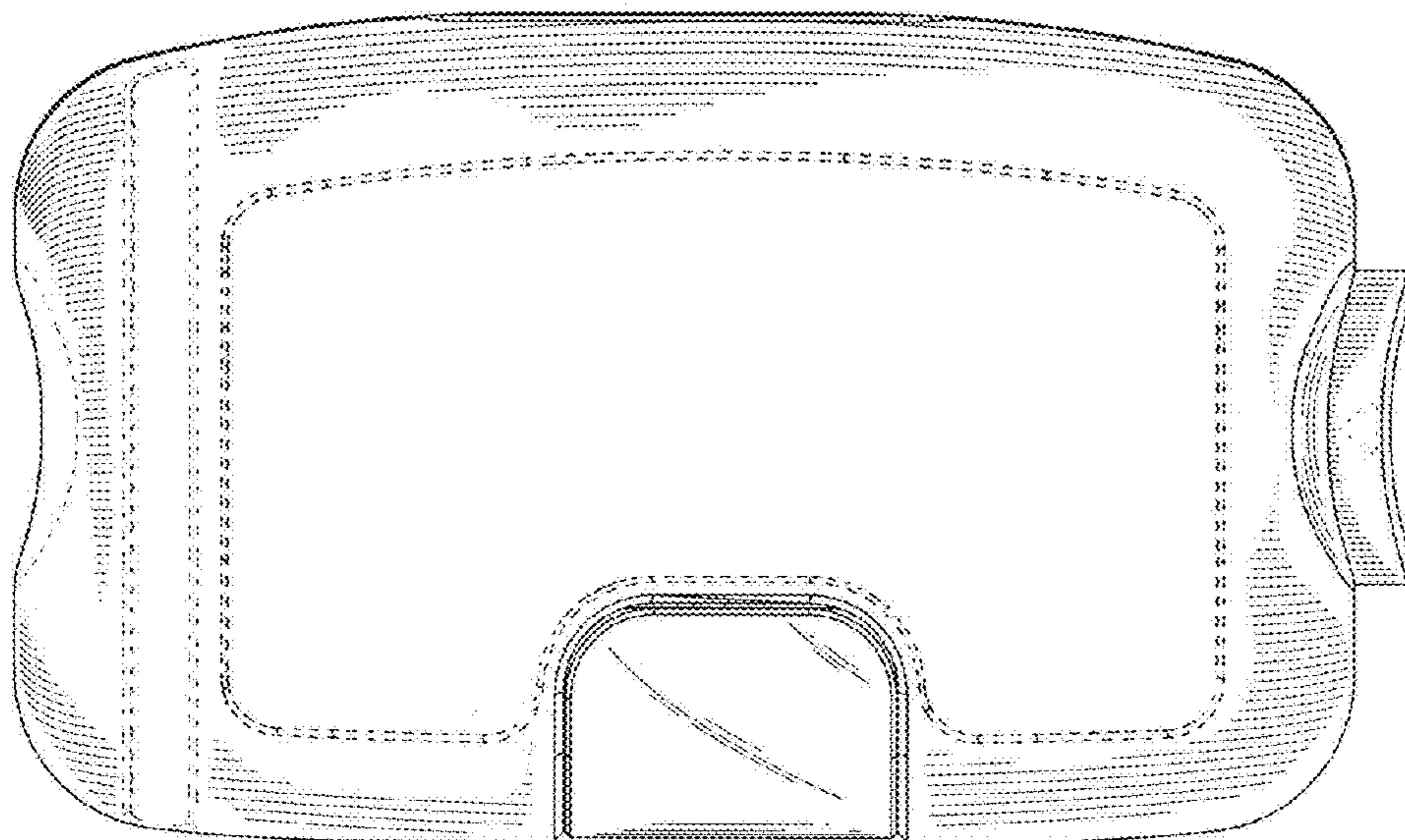


FIG. 44