



US00D745137S

(12) **United States Design Patent**
Pipe et al.

(10) **Patent No.:** **US D745,137 S**

(45) **Date of Patent:** **** Dec. 8, 2015**

(54) **NEBULIZER COMPRESSOR**

(71) Applicant: **KONINKLIJKE PHILIPS N.V.**,
Eindhoven (NL)

(72) Inventors: **Jeffrey Andrew Pipe**, Pittsburgh, PA
(US); **Paul Denis McGroary**, Gibsonia,
PA (US); **Jan Schminke**, Munich (DE);
Justin David Cumming, Topsfield, MA
(US); **Jason J. Cooper**, Watertown, MA
(US)

(73) Assignee: **KONINKLIJKE PHILIPS N.V.**,
Eindhoven (NL)

(**) Term: **14 Years**

(21) Appl. No.: **29/458,132**

(22) Filed: **Jun. 17, 2013**

(30) **Foreign Application Priority Data**

Dec. 20, 2012 (EM) 002157545-0001

(51) **LOC (10) Cl.** **24-01**

(52) **U.S. Cl.**
USPC **D24/108**

(58) **Field of Classification Search**
USPC D24/107, 108, 110, 111, 164; D15/9;
128/200.14, 200.21, 200.24, 203.12,
128/204.18

See application file for complete search history.

(56) **References Cited**

U.S. PATENT DOCUMENTS

D376,199 S * 12/1996 Rozek et al. D24/110
D437,637 S * 2/2001 Leonhard et al. D24/110

D527,098 S * 8/2006 Cheng D24/110
D560,795 S * 1/2008 Lithgow et al. D24/110
D570,473 S * 6/2008 Hamaguchi et al. D24/110
D658,283 S * 4/2012 Burz et al. D24/110
D658,755 S * 5/2012 Lithgow D24/110
D659,235 S * 5/2012 Bertinetti et al. D24/110
D675,730 S * 2/2013 Lithgow et al. D24/110
D679,800 S * 4/2013 Gusky et al. D24/110
D683,444 S * 5/2013 Inoue et al. D24/110
D683,445 S * 5/2013 Inoue D24/110
D696,393 S * 12/2013 Lu D24/110
D696,394 S * 12/2013 Lu D24/110
D708,733 S * 7/2014 Ng et al. D24/110

* cited by examiner

Primary Examiner — Deanna L Pratt

Assistant Examiner — Lilyana Bekic

(74) *Attorney, Agent, or Firm* — Michael W. Haas

(57) **CLAIM**

The ornamental design for a nebulizer compressor, as shown and described.

DESCRIPTION

FIG. 1 is a perspective view of a nebulizer compressor showing our design.

FIG. 2 is a front elevational view thereof;

FIG. 3 is a rear elevational view thereof;

FIG. 4 is a right side elevational view thereof;

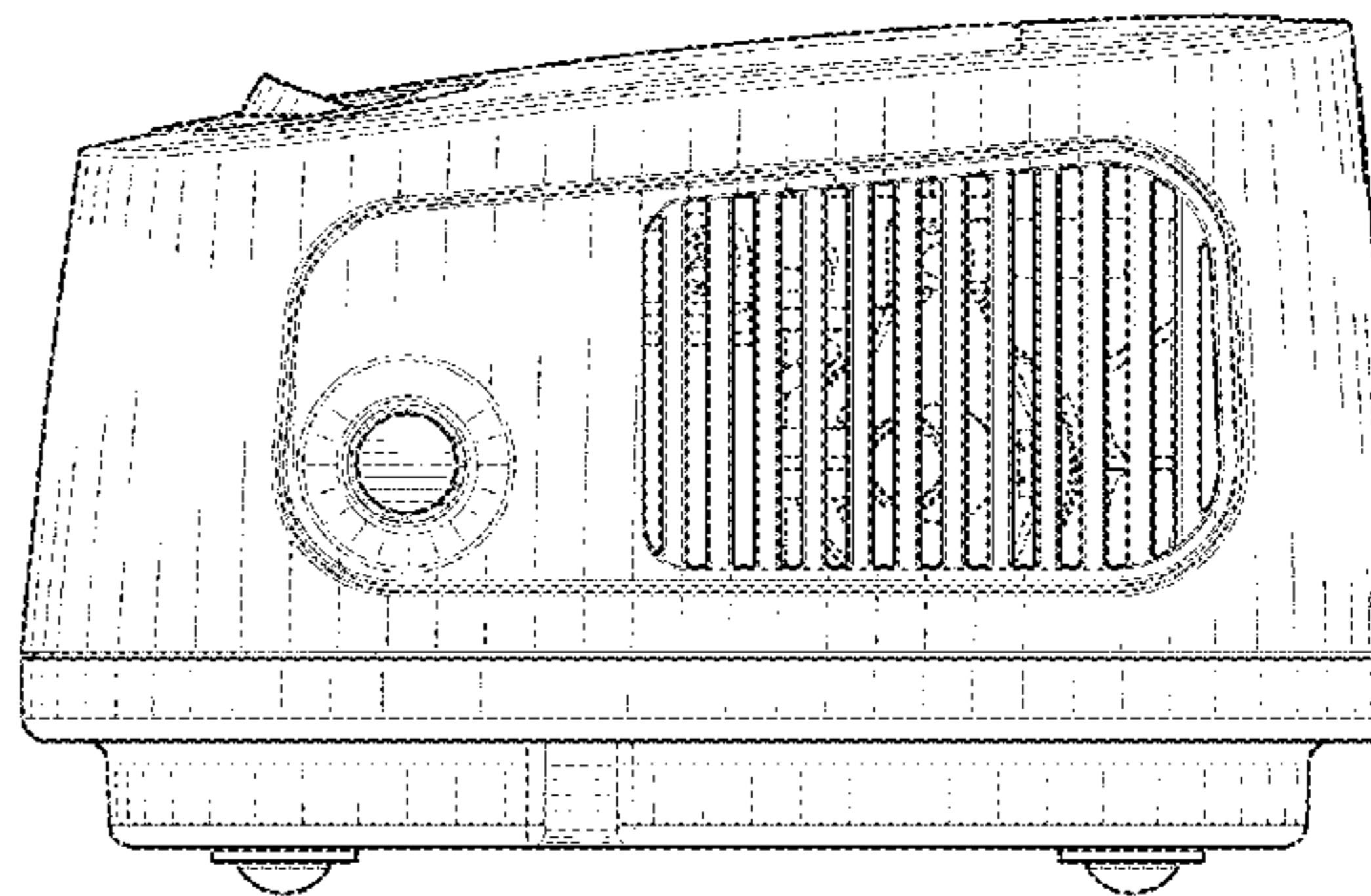
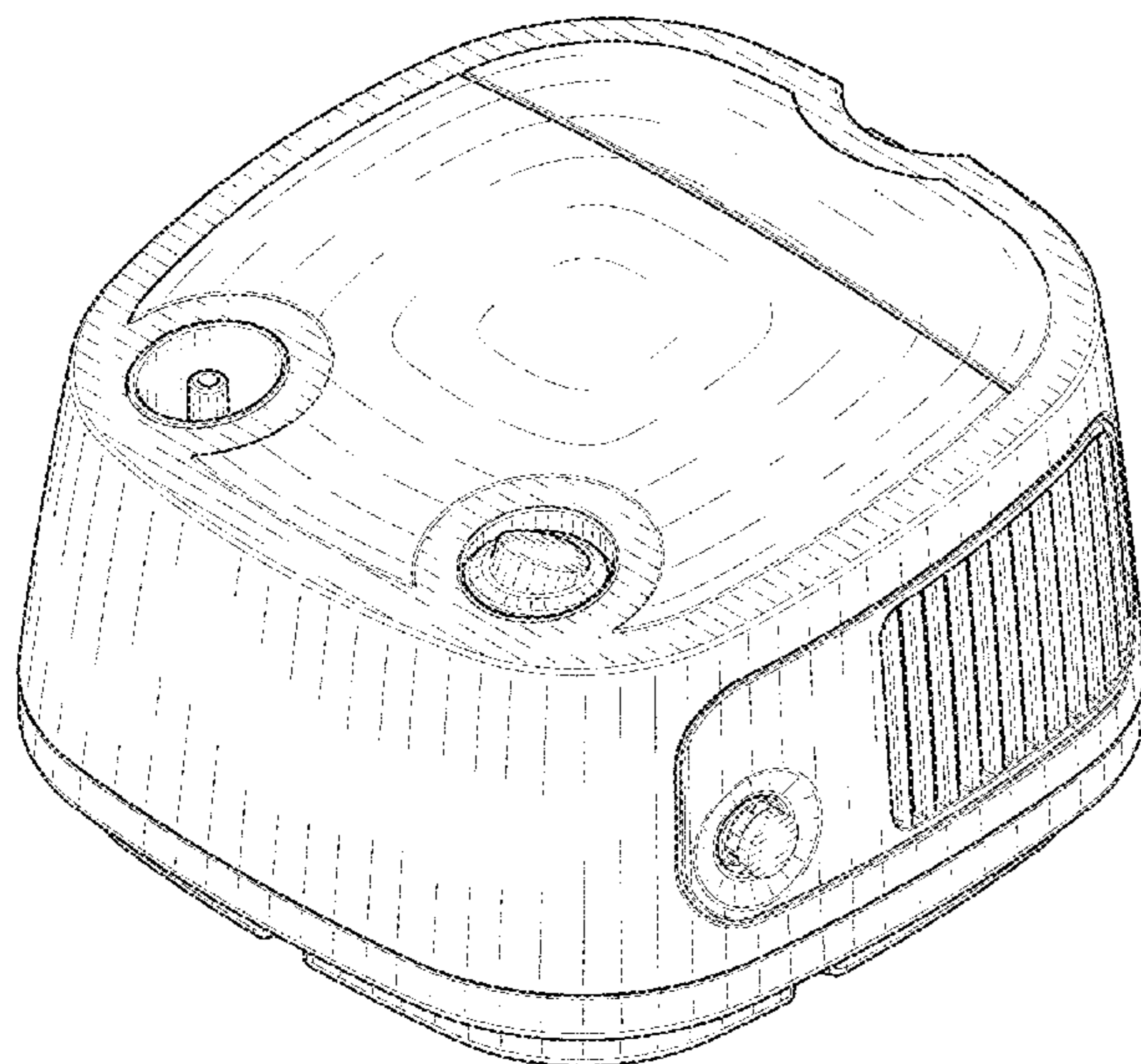
FIG. 5 is a left side elevational view thereof;

FIG. 6 is a top plan view thereof; and,

FIG. 7 is a bottom plan view thereof.

The broken lines are included for the purpose of illustrating unclaimed portions of the nebulizer compressor and form no part of the claimed design.

1 Claim, 5 Drawing Sheets



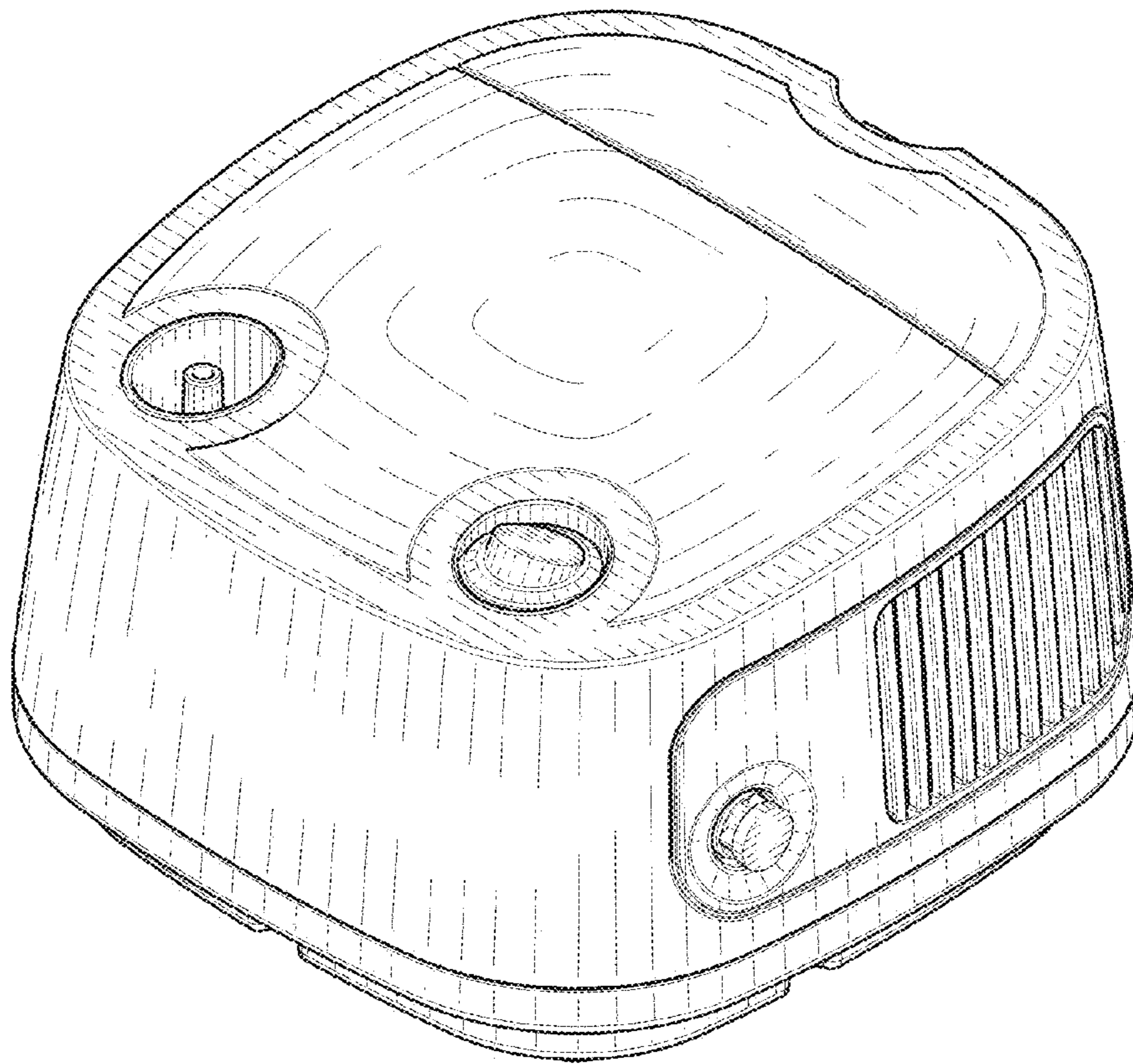


FIG. 1

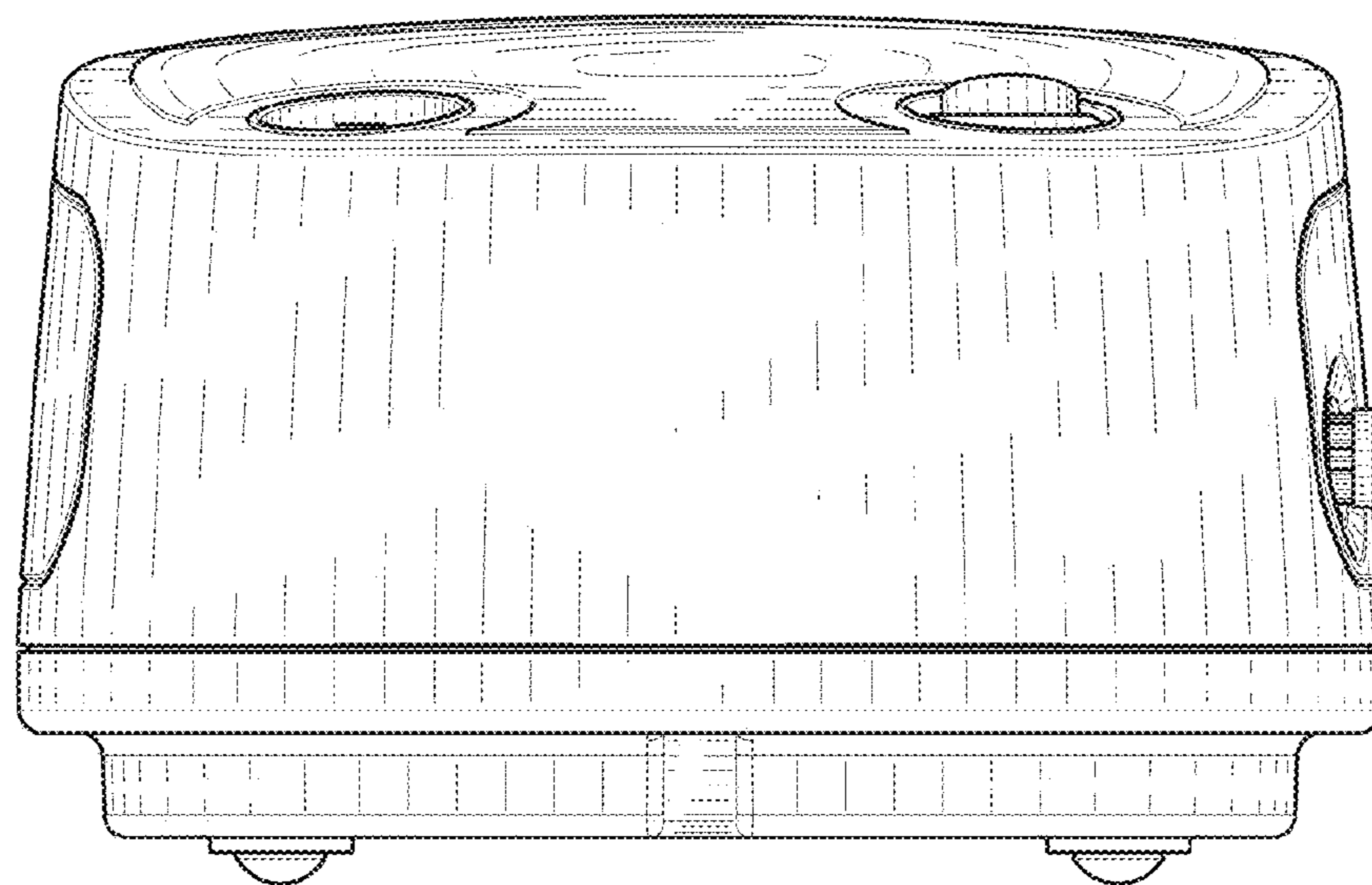


FIG. 2

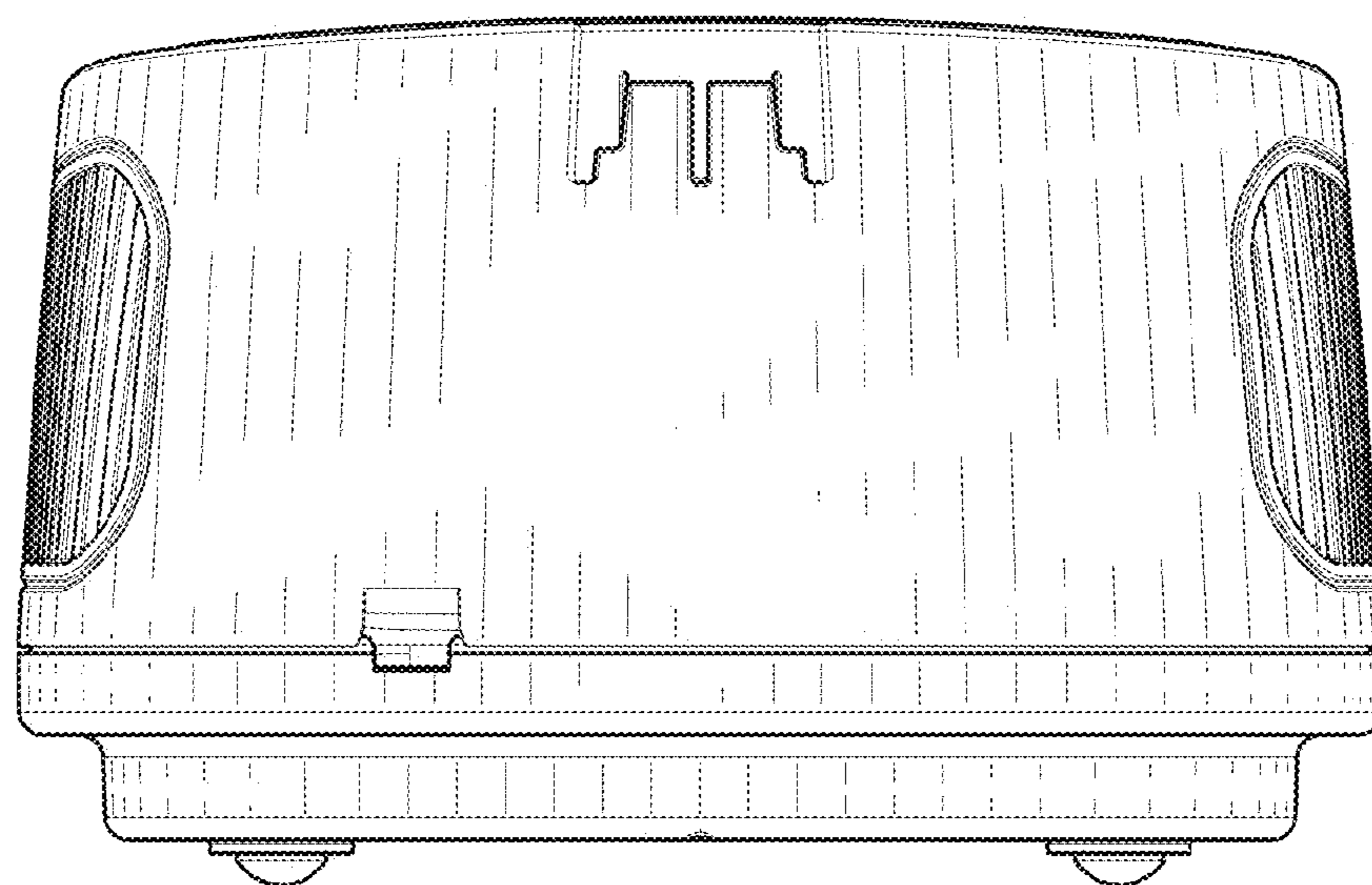


FIG. 3

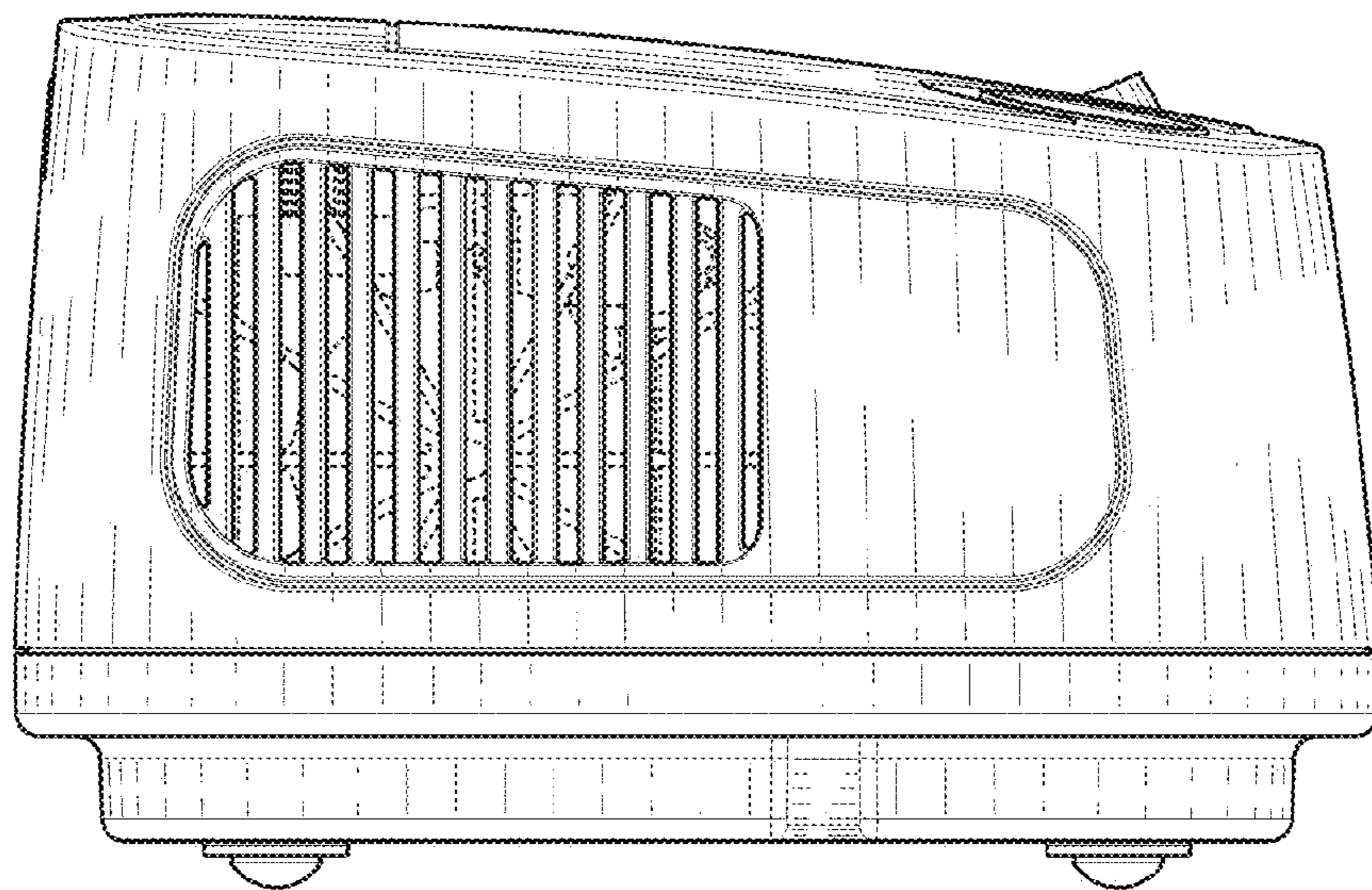


FIG. 4

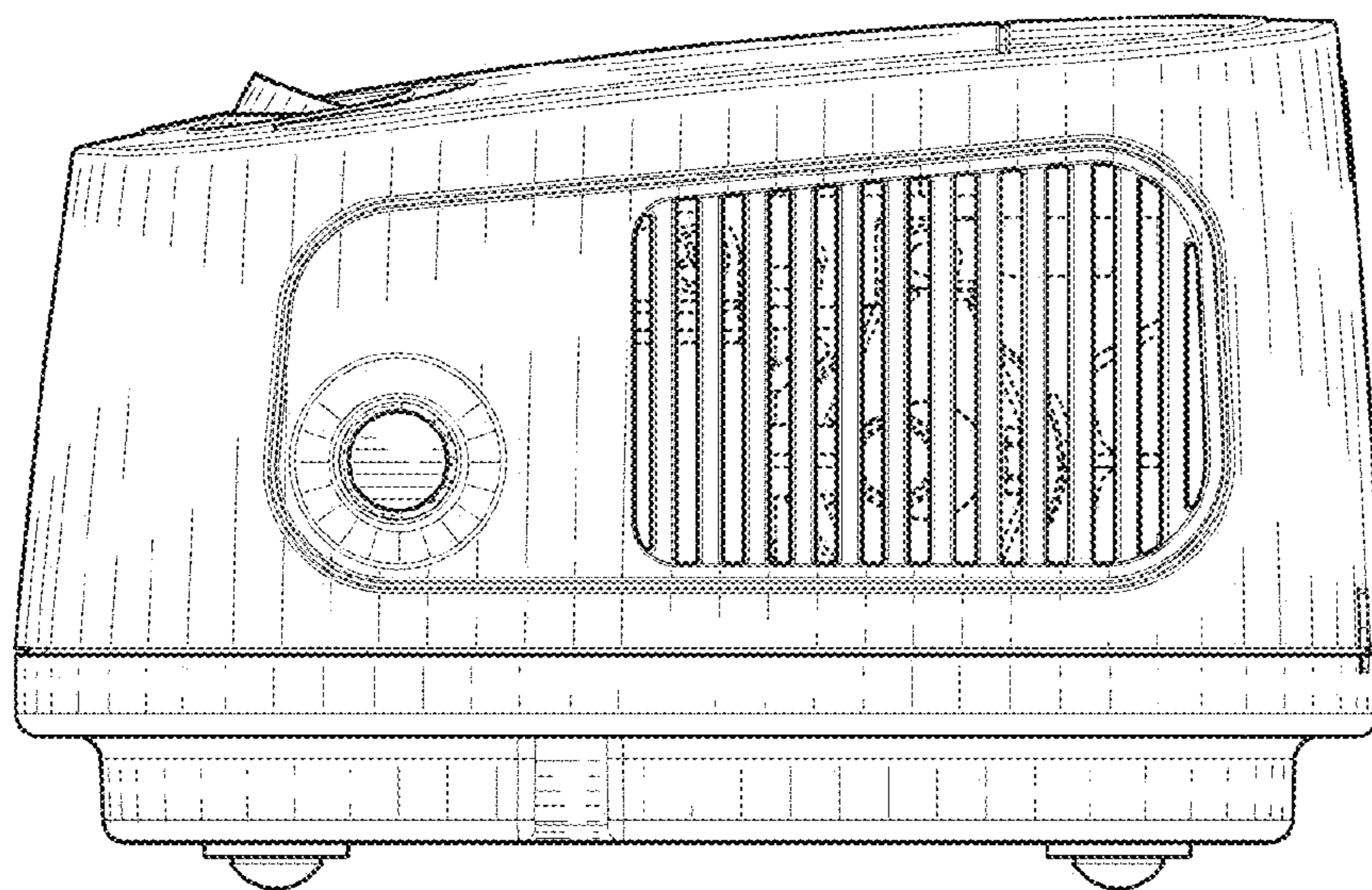


FIG. 5

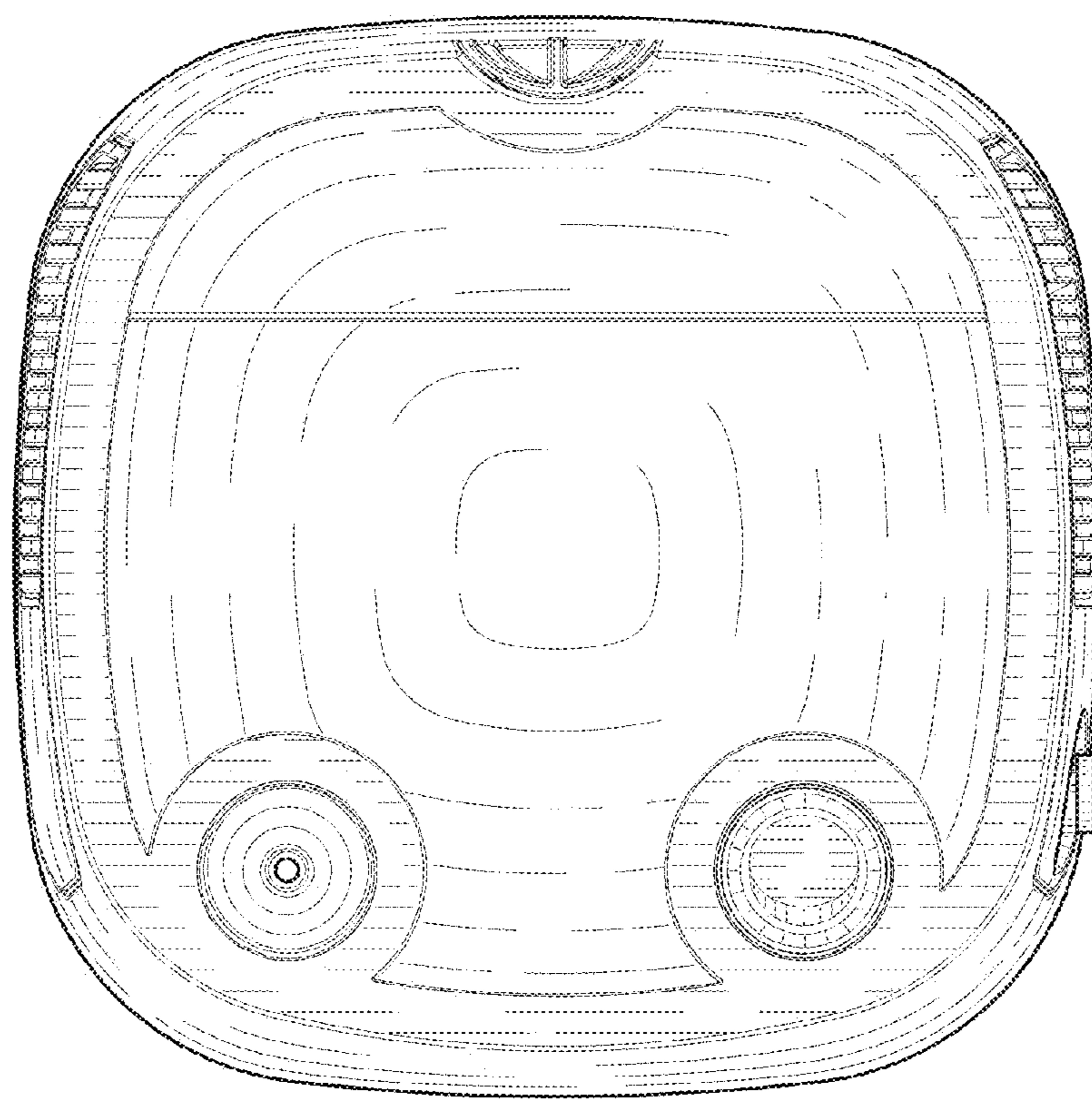


FIG. 6

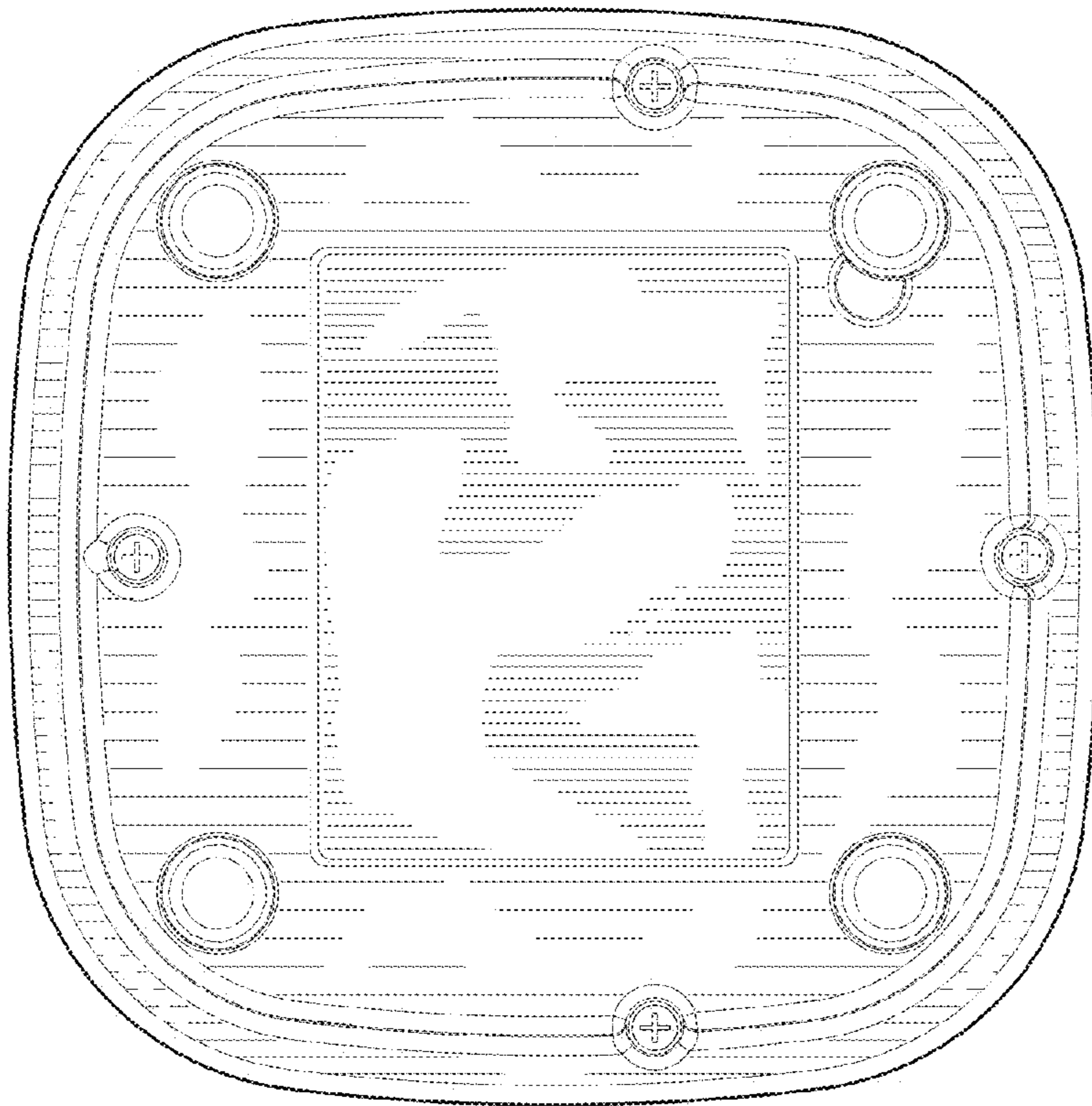


FIG. 7