



US00D745133S

(12) **United States Design Patent**
Wang

(10) **Patent No.:** **US D745,133 S**
(45) **Date of Patent:** **** Dec. 8, 2015**

- (54) **CEILING FAN BLADE**
- (71) Applicant: **AIR COOL INDUSTRIAL CO., LTD.,**
Taichung (TW)
- (72) Inventor: **Cilff Wang,** Taichung (TW)
- (73) Assignee: **AIR COOL INDUSTRIAL CO., LTD.,**
Taichung (TW)

(**) Term: **14 Years**

(21) Appl. No.: **29/493,370**

- (22) Filed: **Jun. 9, 2014**
- (51) **LOC (10) Cl.** **23-04**
- (52) **U.S. Cl.**
USPC **D23/413**
- (58) **Field of Classification Search**
USPC D23/377, 370-376, 378-394, 411-414,
D23/499; D12/214, 305, 319, 339, 344,
D12/345; 416/5, 62, 170 R, 214 R, 184, 206,
416/207, 210 R, 220 R, 241 R, 244 R, 248,
416/223 R, 232, 234, 242; 417/423.1;
392/364; D26/59
CPC ... F04D 25/088; F04D 29/322; F04D 29/324;
F04D 29/388; F04D 29/601; B23P 15/04
See application file for complete search history.

(56) **References Cited**
U.S. PATENT DOCUMENTS

D407,814 S *	4/1999	Lin	D23/411
D434,845 S *	12/2000	Gajewski	D23/413
D451,191 S *	11/2001	Goodman	D23/413
D514,695 S *	2/2006	Badarello	D23/413
D543,618 S *	5/2007	Pickett	D23/413
D555,239 S *	11/2007	Shurtleff	D23/413
D565,725 S *	4/2008	Badarello	D23/413
D566,264 S *	4/2008	Badarello	D23/413
D579,103 S *	10/2008	Hidalgo	D23/413

D620,101 S *	7/2010	Frampton	D23/413
D638,533 S *	5/2011	Pickett	D23/413
D671,635 S *	11/2012	Pan	D23/377
2002/0094273 A1 *	7/2002	Huang	F04D 25/088 416/143
2006/0177307 A1 *	8/2006	Owens	A61L 9/048 416/5
2011/0070091 A1 *	3/2011	Ko	F04D 25/088 416/229 R
2011/0305581 A1 *	12/2011	Shih-Chung	F04D 29/388 416/232

OTHER PUBLICATIONS

Wainscoting ceiling fan. buildingmoxie.com [online] 1 page Posted Feb. 25, 2013 [retrieved on Sep. 1, 2015]. Retrieved from Internet: <<http://www.buildingmoxie.com/2013/02/5th-wall-trends/>>.*

* cited by examiner

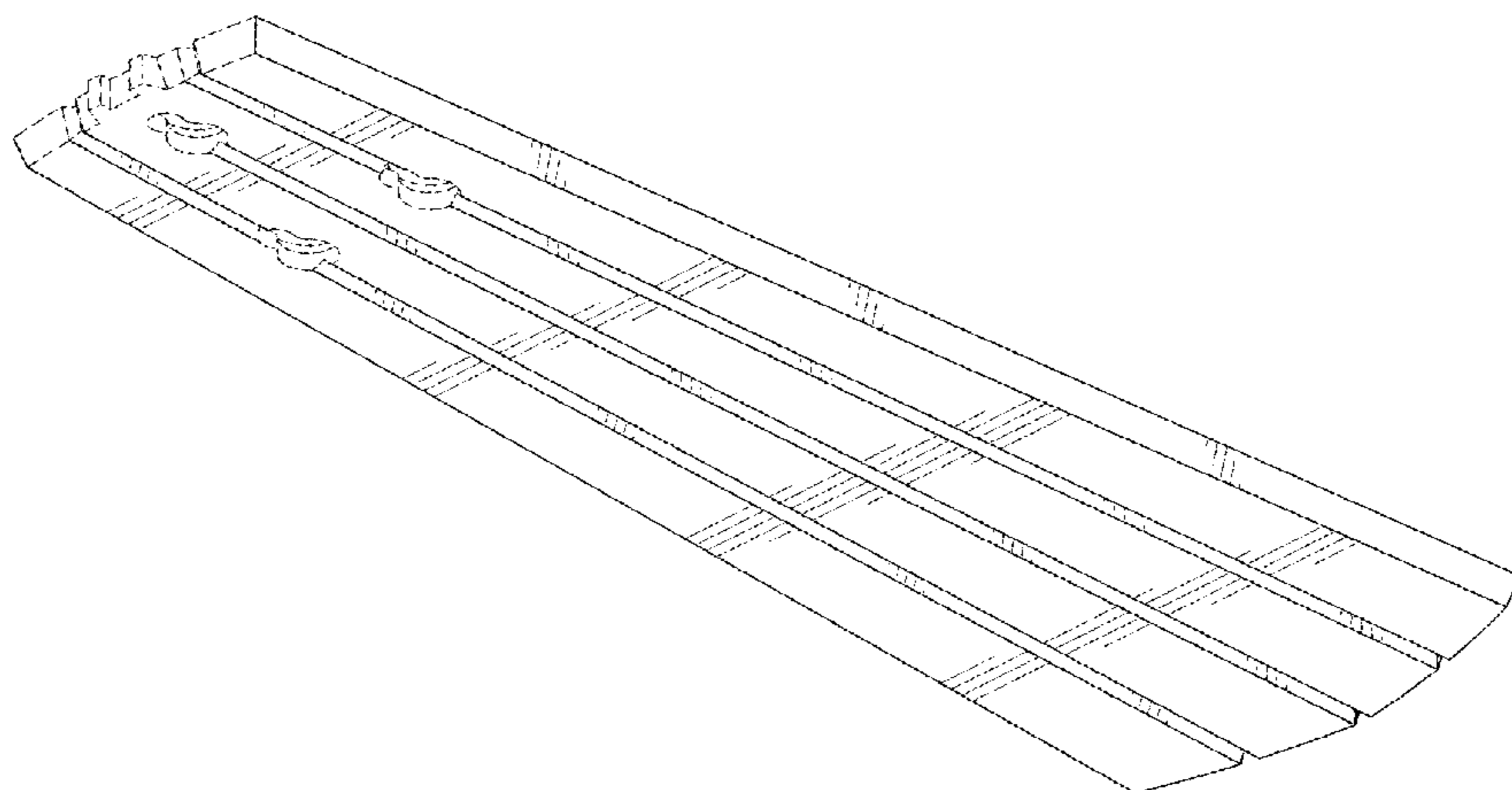
Primary Examiner — Susan Bennett Hattan
Assistant Examiner — Marie Fast Horse
 (74) *Attorney, Agent, or Firm* — Ming Chow; Sinorica, LLC

(57) **CLAIM**
 I claim the ornamental design for a ceiling fan blade, as shown and described.

DESCRIPTION

FIG. 1 is a front perspective view of a ceiling fan blade showing my new design;
 FIG. 2 is a front elevational view thereof;
 FIG. 3 is a rear elevational view thereof;
 FIG. 4 is a left side elevational view thereof;
 FIG. 5 is a right side elevational view thereof;
 FIG. 6 is a top plan view thereof;
 FIG. 7 is a bottom plan view thereof; and,
 FIG. 8 is another front perspective view.
 The broken lines in the drawings depict parts of the ceiling fan blade that form no part of the claimed design.

1 Claim, 5 Drawing Sheets



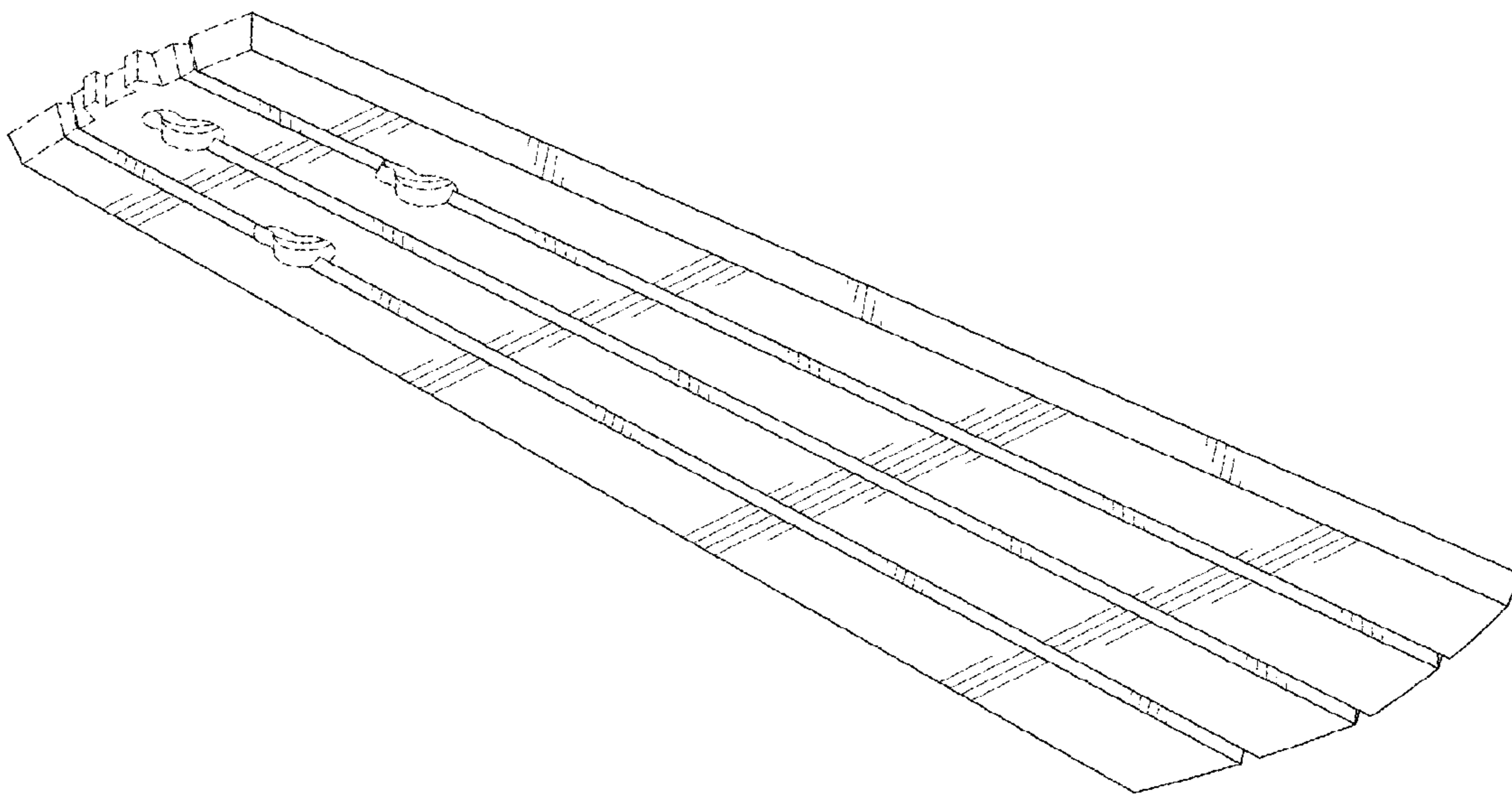


FIG. 1

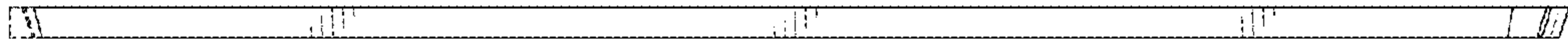


FIG. 2

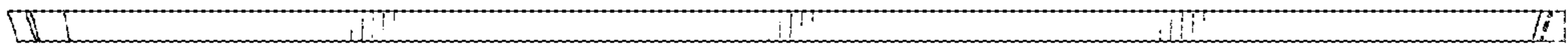


FIG. 3

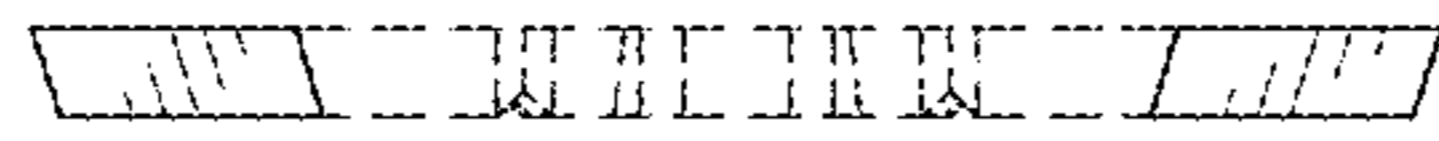


FIG. 4

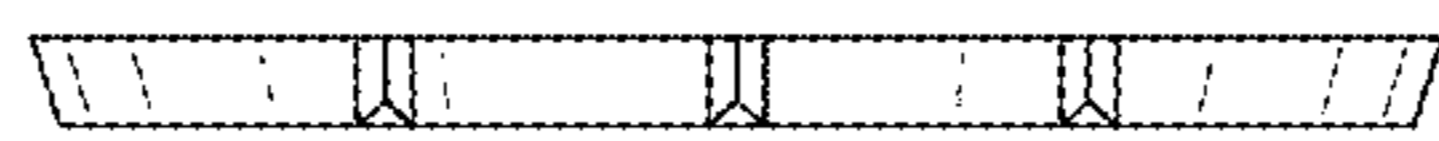


FIG. 5

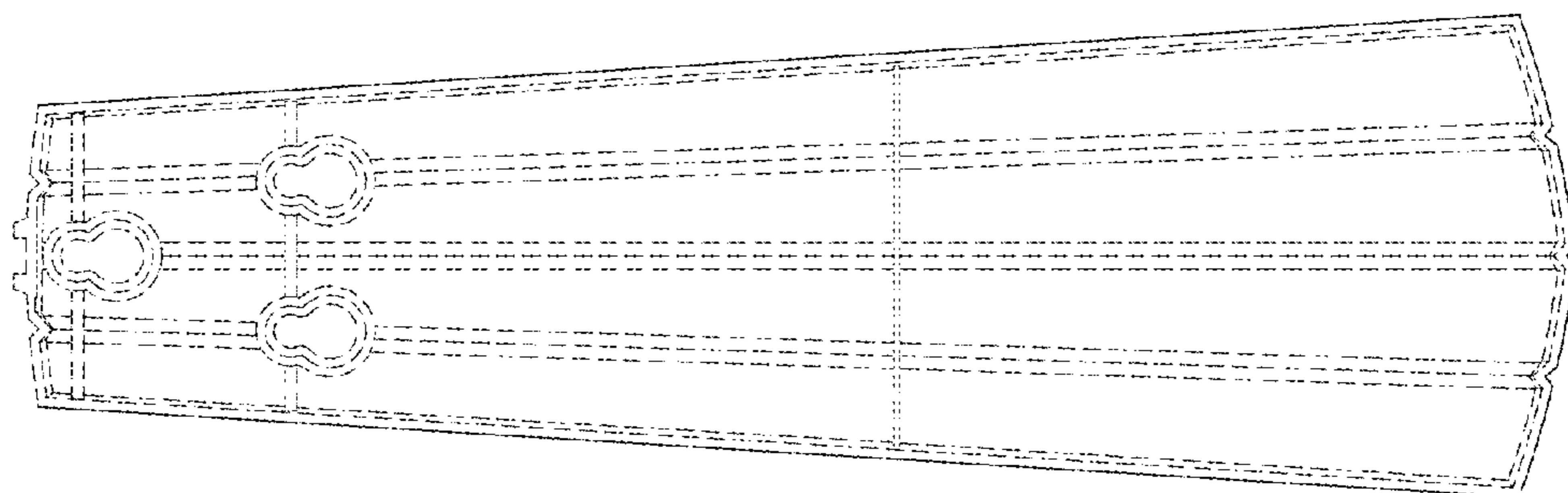


FIG. 6

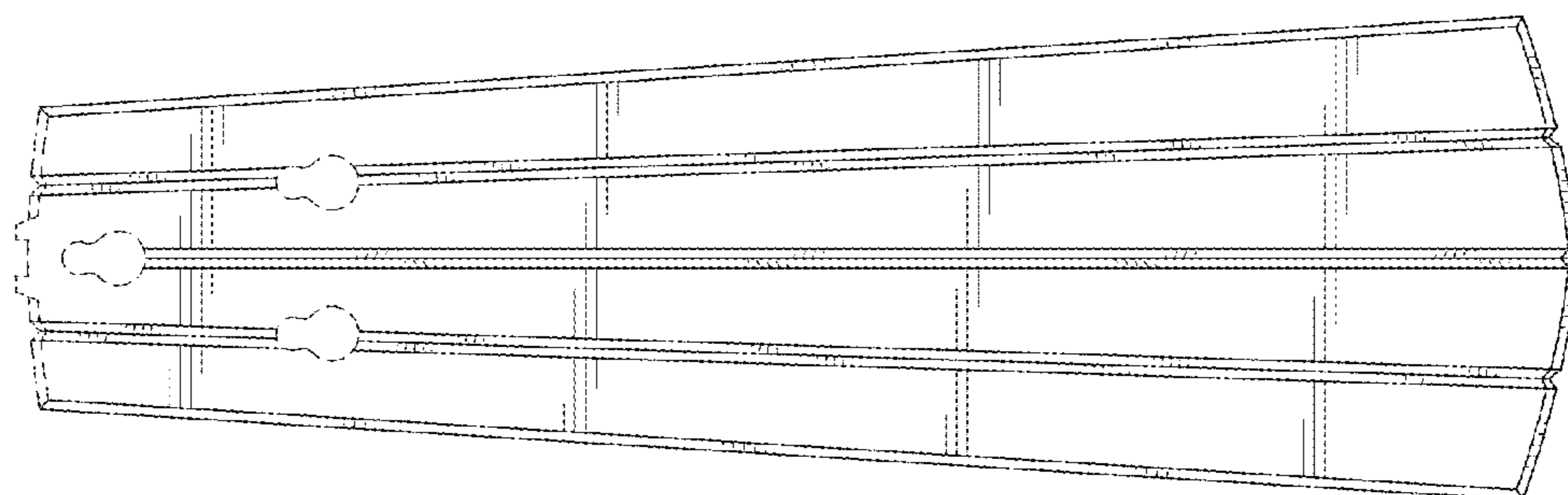


FIG. 7

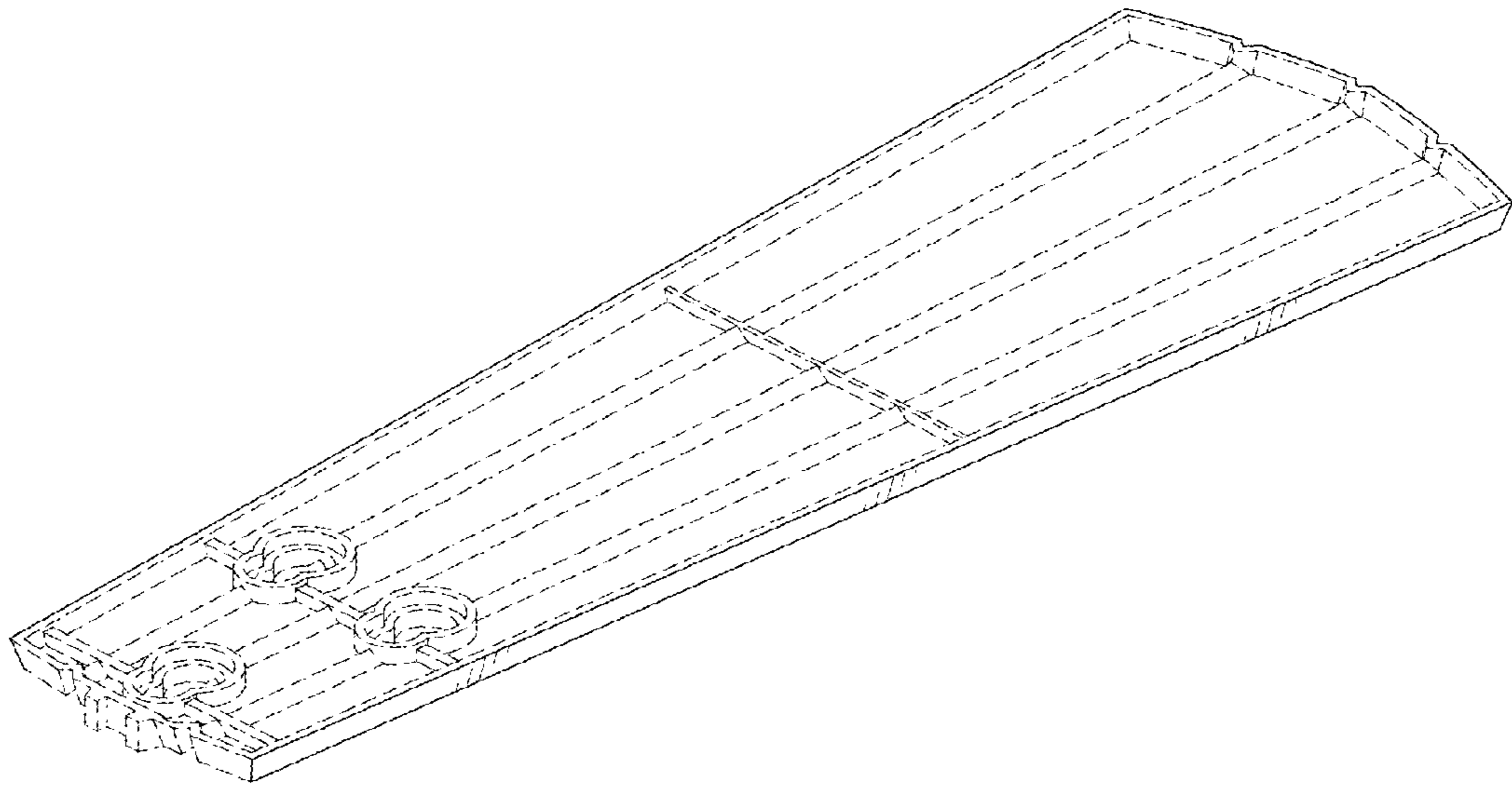


FIG. 8