



US00D745131S

(12) **United States Design Patent**
Sinur et al.

(10) **Patent No.:** **US D745,131 S**
(45) **Date of Patent:** **** Dec. 8, 2015**

(54) **RANGE HOOD**

(71) Applicant: **Broan-NuTone LLC**, Hartford, WI (US)

(72) Inventors: **Richard R. Sinur**, West Bend, WI (US);
Gregory T. Ruggles, Hartford, WI (US);
Brian R. Wellnitz, Grafton, WI (US)

(73) Assignee: **Broan-NuTone LLC**, Hartford, WI (US)

(**) Term: **14 Years**

(21) Appl. No.: **29/493,756**

(22) Filed: **Jun. 12, 2014**

Related U.S. Application Data

(63) Continuation of application No. 29/458,592, filed on Jun. 20, 2013, now Pat. No. Des. 709,606, and a continuation of application No. 29/458,589, filed on Jun. 20, 2013.

(51) **LOC (10) Cl.** **23-04**

(52) **U.S. Cl.**
USPC **D23/372**

(58) **Field of Classification Search**
USPC D23/370-385, 411-414, 365; 415/60,
415/66, 68, 208.1, 213.1, 214.1; 310/257;
361/695; 126/299 D, 299 R
CPC F24C 15/20
See application file for complete search history.

(56) **References Cited**

U.S. PATENT DOCUMENTS

2,487,607 A 11/1949 Sonntag
D179,237 S 11/1956 Bernstein

(Continued)

OTHER PUBLICATIONS

“U.S. Appl. No. 29/458,592, Non Final Office Action mailed Sep. 27, 2013”, 7 pgs.

(Continued)

Primary Examiner — Susan Bennett Hattan

Assistant Examiner — Janice Hallmark

(74) *Attorney, Agent, or Firm* — Schwegman Lundberg & Woessner, P.A.

(57) **CLAIM**

The ornamental design for a range hood, as shown and described.

DESCRIPTION

FIG. 1 is a top perspective view of one embodiment of a range hood.

FIG. 2 is a bottom perspective view of one embodiment of a range hood of FIG. 1.

FIG. 3 is a top view of one embodiment of a range hood of FIG. 1.

FIG. 4 is a front view of one embodiment of a range hood of FIG. 1.

FIG. 5 is side view of one embodiment of a range hood of FIG. 1.

FIG. 6 is a rear view of one embodiment of a range hood of FIG. 1.

FIG. 7 is a bottom view of one embodiment of a range hood of FIG. 1.

FIG. 8 is a top perspective view of a second embodiment of a range hood.

FIG. 9 is a bottom perspective view of a second embodiment of a range hood of FIG. 8.

FIG. 10 is a top view of a second embodiment of a range hood of FIG. 8.

FIG. 11 is a front view of a second embodiment of a range hood of FIG. 8.

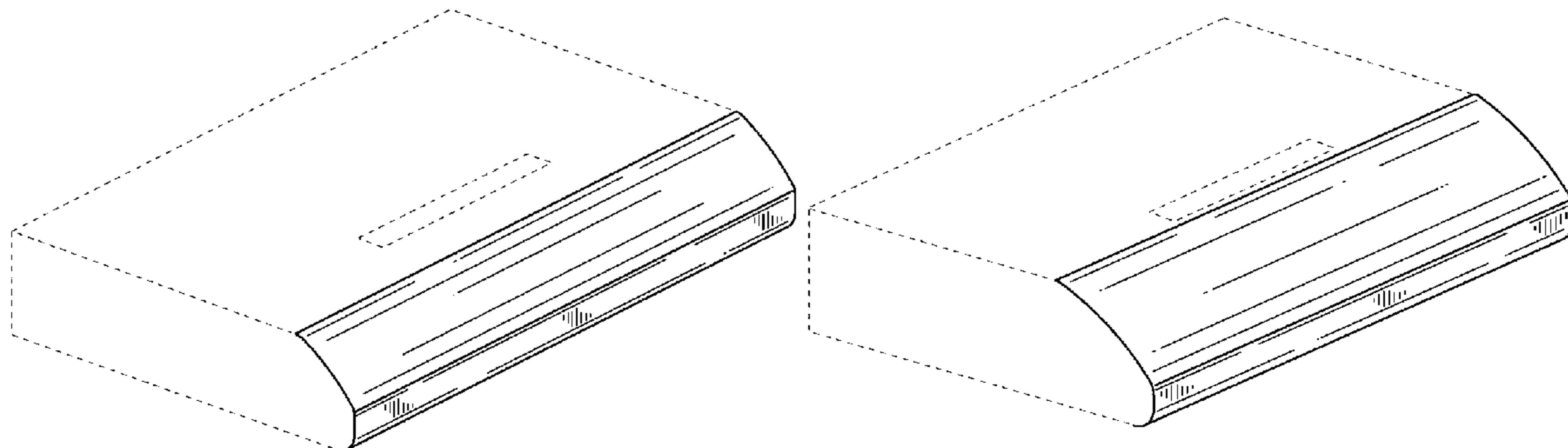
FIG. 12 is a side view of a second embodiment of a range hood of FIG. 8.

FIG. 13 is a rear view of a second embodiment of a range hood of FIG. 8; and,

FIG. 14 is a bottom view of a second embodiment of a range hood of FIG. 8.

The features shown in broken lines depict environmental subject matter only and form no part of the claimed design.

1 Claim, 12 Drawing Sheets



(56)

References Cited

U.S. PATENT DOCUMENTS

2,807,994 A 10/1957 Bernstein
 2,886,124 A 5/1959 Scharmer
 2,993,428 A 7/1961 Wermager
 3,075,335 A 1/1963 Bandlow et al.
 3,098,423 A 7/1963 Giannini
 3,125,869 A 3/1964 Winton
 3,194,146 A 7/1965 Jenson
 3,585,920 A 6/1971 Johnson
 3,690,245 A 9/1972 Ferlise et al.
 4,120,290 A 10/1978 Bowen, Jr. et al.
 4,259,944 A 4/1981 Kalthoff et al.
 D274,934 S 7/1984 Johnson
 4,898,149 A 2/1990 Cohn
 D312,685 S 12/1990 Fleming et al.
 D315,204 S 3/1991 Fleming et al.
 5,027,790 A 7/1991 Chern
 D325,966 S 5/1992 Wei
 D327,541 S 6/1992 Chen
 5,230,327 A 7/1993 Jang et al.
 5,305,734 A 4/1994 Jang
 5,363,837 A 11/1994 Jang
 5,377,665 A 1/1995 Jang
 D361,376 S 8/1995 Isabelle et al.
 5,448,987 A 9/1995 Jang
 D367,319 S 2/1996 Isabelle et al.
 D375,351 S 11/1996 Conforti
 D380,823 S 7/1997 LaZar
 5,678,532 A 10/1997 Wu
 D392,380 S 3/1998 Schrank et al.
 D395,495 S 6/1998 Wu
 D433,495 S 11/2000 Segers
 D436,658 S 1/2001 Goulet
 6,216,686 B1 4/2001 Chiu
 D450,829 S 11/2001 Bothe et al.
 D451,587 S 12/2001 Goulet
 6,401,709 B1 * 6/2002 Okamoto et al. 126/299 D
 6,427,679 B1 8/2002 Chen
 D473,297 S 4/2003 Bothe et al.
 D482,769 S 11/2003 Bothe et al.
 6,802,310 B1 * 10/2004 Yeung 126/299 D
 D521,622 S 5/2006 Bothe et al.
 D532,507 S 11/2006 Vetter
 D535,150 S 1/2007 Tse
 D535,381 S 1/2007 Chiang

D557,786 S 12/2007 Tse
 D558,322 S 12/2007 Lebeuf et al.
 D566,822 S 4/2008 Blanchette et al.
 D567,929 S 4/2008 Tse
 D571,446 S 6/2008 Martin et al.
 D594,956 S 6/2009 Blanchette et al.
 D611,590 S 3/2010 Grey
 D611,591 S 3/2010 Grey
 D635,235 S 3/2011 Hoshino et al.
 D659,232 S 5/2012 Funnell, II
 D676,542 S 2/2013 Sinur et al.
 D677,775 S 3/2013 Funnell, II
 D694,385 S 11/2013 Funnell, II
 D694,393 S 11/2013 Funnell, II
 D695,387 S 12/2013 Murphey et al.
 D699,831 S 2/2014 Funnell, II
 D709,606 S * 7/2014 Sinur et al. D23/372
 2007/0256681 A1 11/2007 Chiang et al.
 2008/0190411 A1 8/2008 Chiang et al.
 2011/0036340 A1 2/2011 Chu
 2013/0087133 A1 4/2013 Davis et al.

OTHER PUBLICATIONS

“U.S. Appl. No. 29/458,592, Notice of Allowance mailed Mar. 4, 2014”, 6 pgs.
 “Maytag 30 in. Non-Vented Range Hood in Stainless Steel”, Model # UXT4030AYS, Home Depot, [Online] Retrieved From Internet: <http://www.homedepot.com/p/Maytag-30-in-Non-Vented-Range-Hood-in-Stainless-Steel-UXT4030AYS/202832999#customer_reviews>, (Jul. 9, 2011).
 “Whirlpool 30" and 36" Range Hood Models UXT3030AY/UXT3036AY”, Installation Instructions and Use & Care Guide, [Online] Retrieved From Internet: <http://www.whirlpool.ca/digitalassets/UXT3030AYB/Use%20and%20Care_EN.pdf>, (2011).
 “U.S. Appl. No. 29/458,589, Notice of Allowance mailed Jul. 9, 2015”, 11 pgs.
 “U.S. Appl. No. 29/458,589, Response filed Apr. 27, 2015 to Restriction Requirement mailed Apr. 9, 2015”, 4 pgs.
 “U.S. Appl. No. 29/458,589, Restriction Requirement mailed Apr. 8, 2015”, 4 pgs.
 “U.S. Appl. No. 29/458,592, Response filed Dec. 27, 2013 to Non Final Office Action mailed Sep. 27, 2013”, 8 pgs.

* cited by examiner

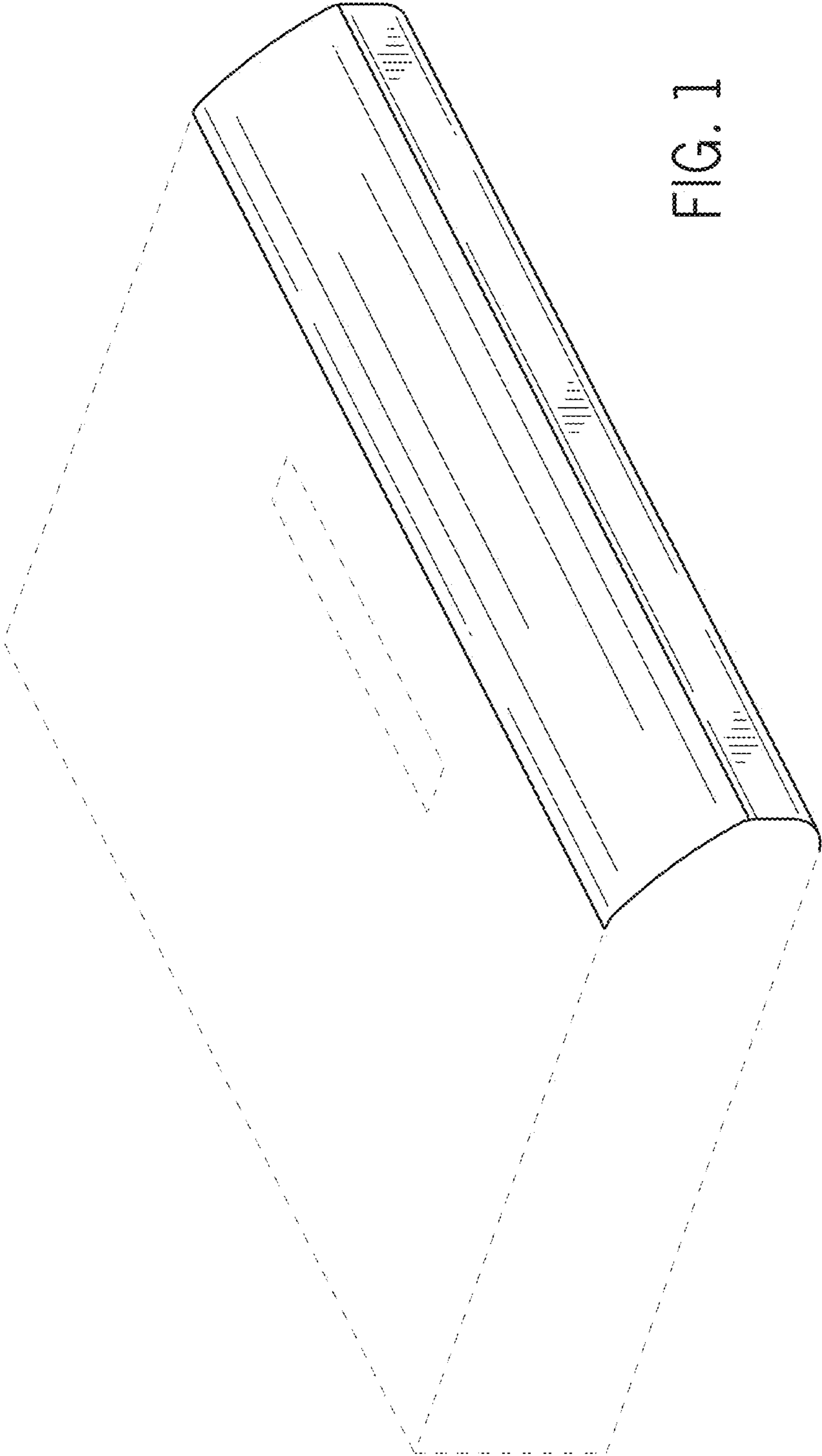


FIG. 1

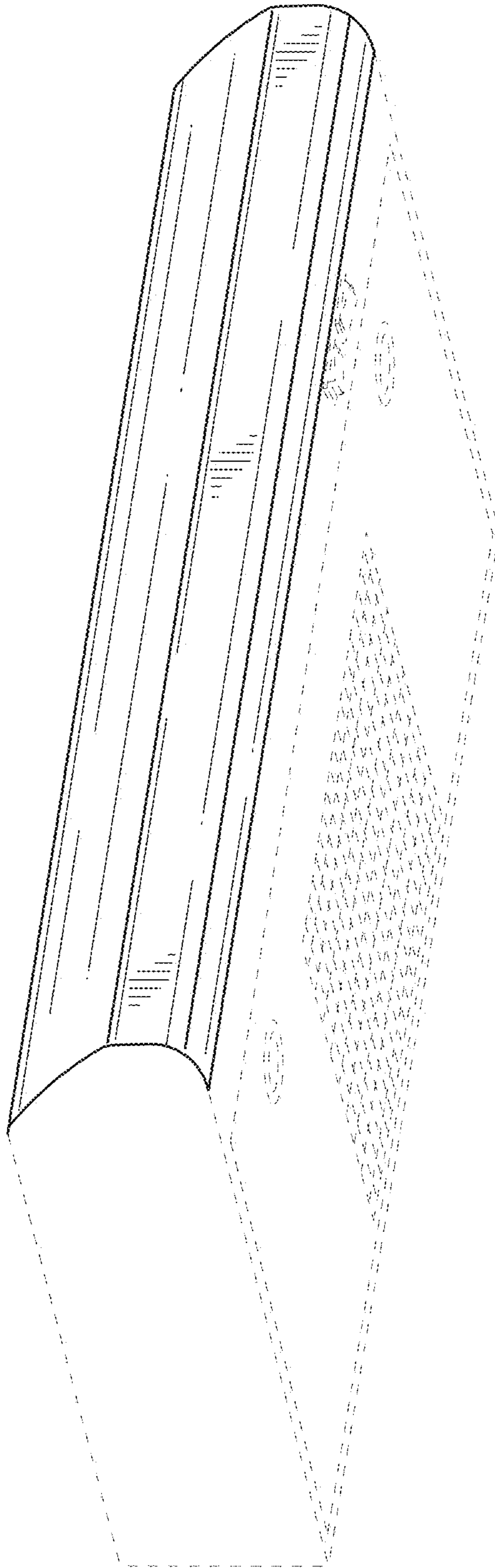


FIG. 2

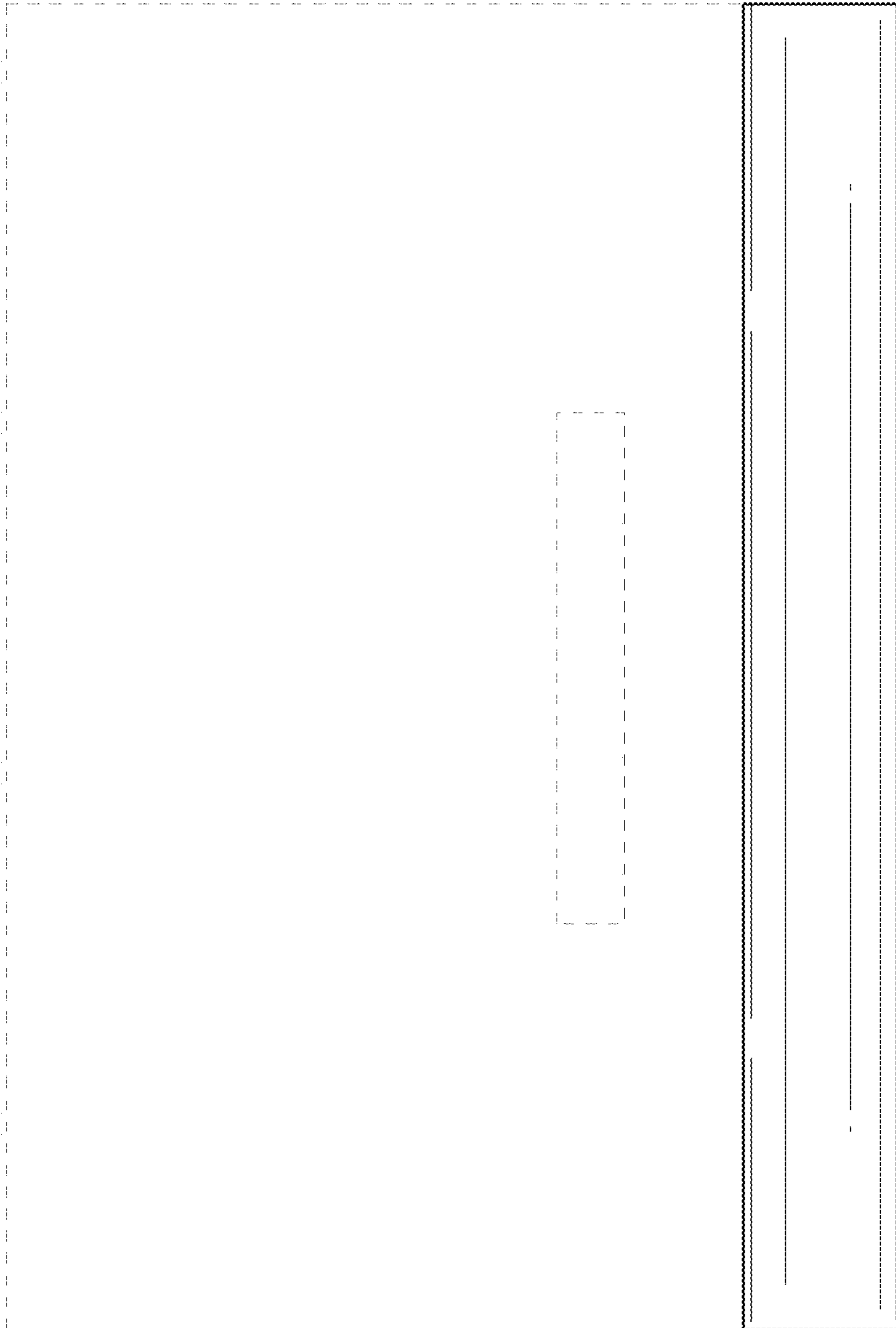


FIG. 3

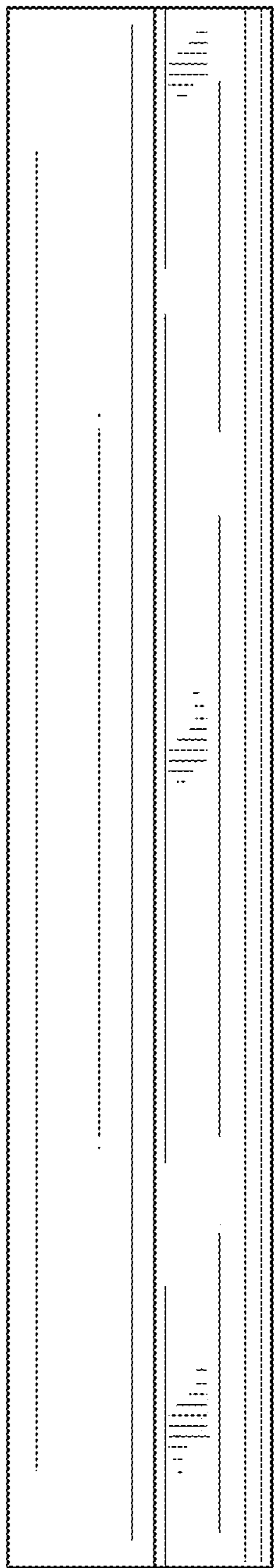


FIG. 4



FIG. 5

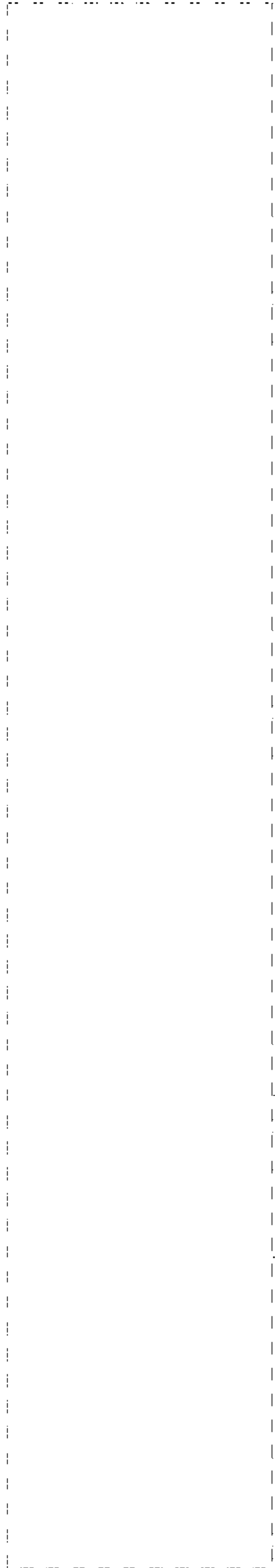


FIG. 6

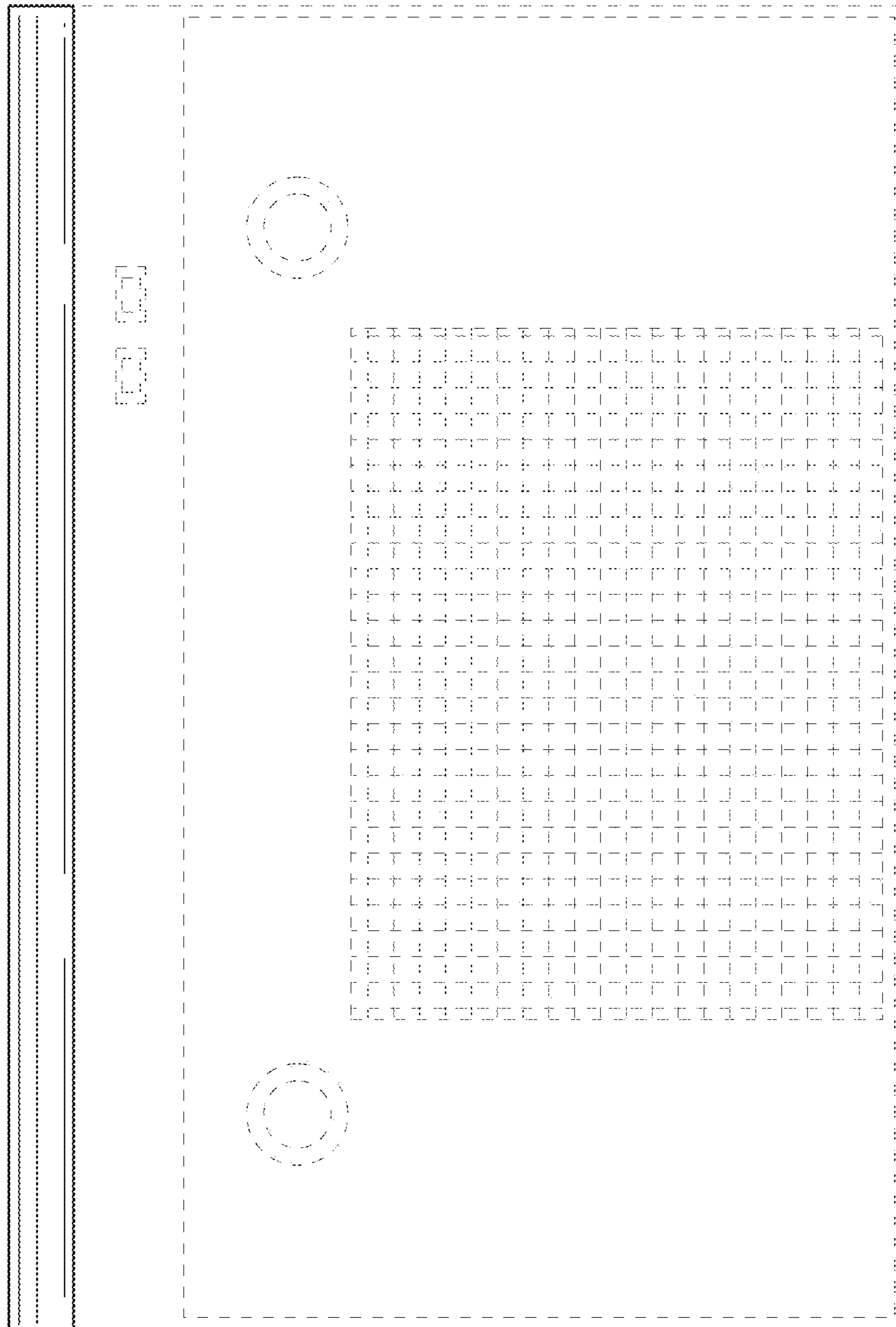


FIG. 7

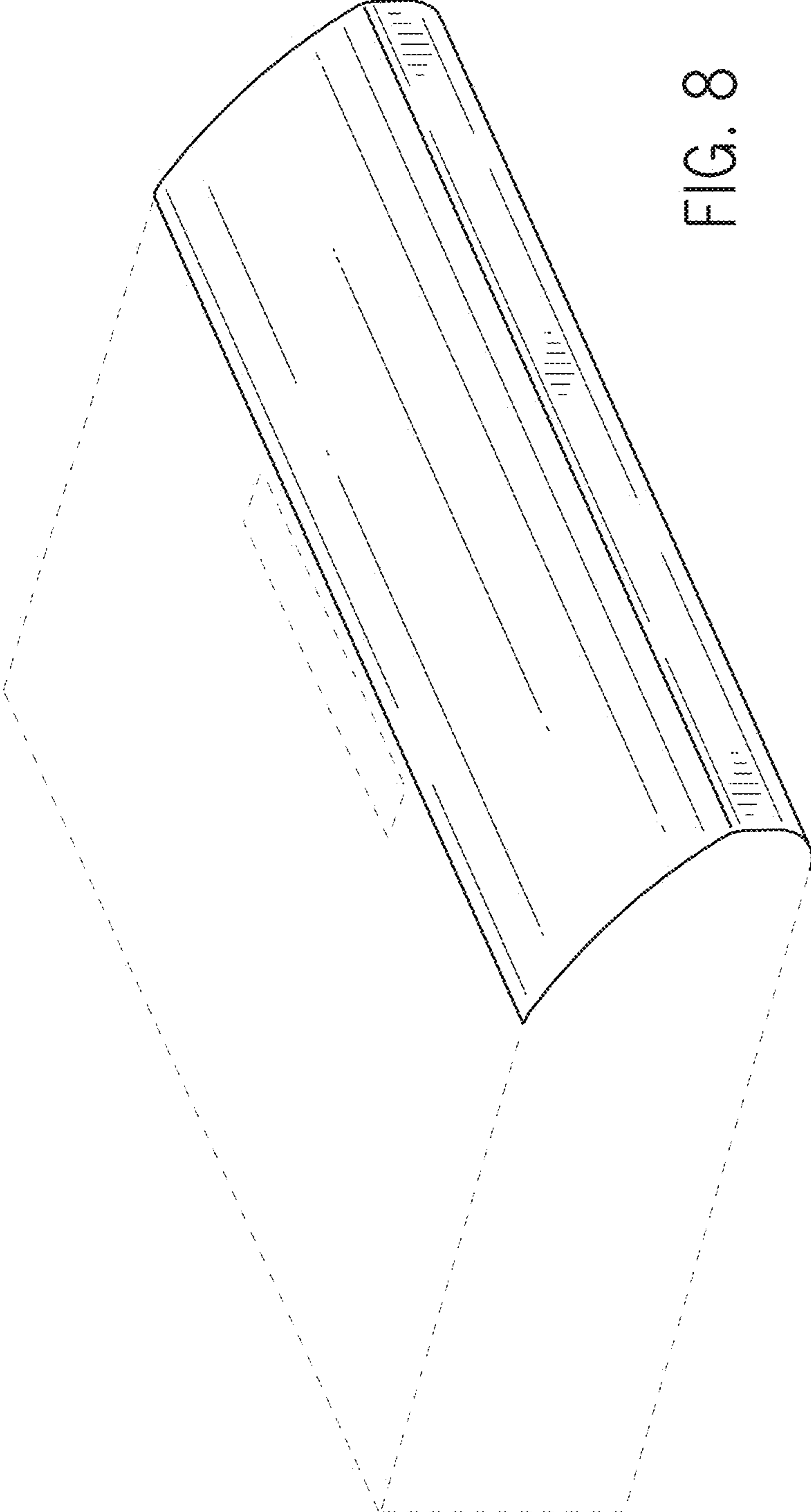
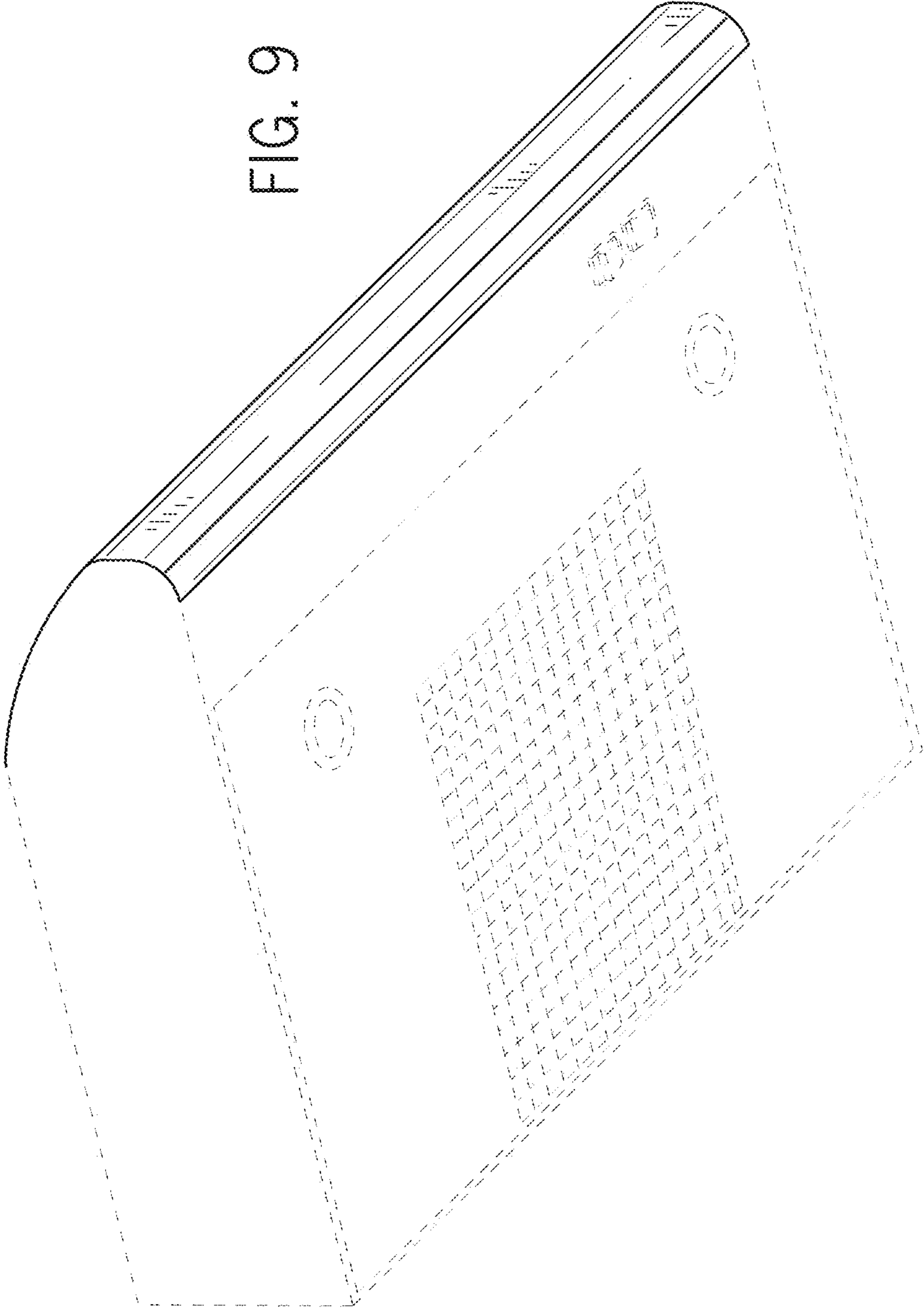


FIG. 8

FIG. 9



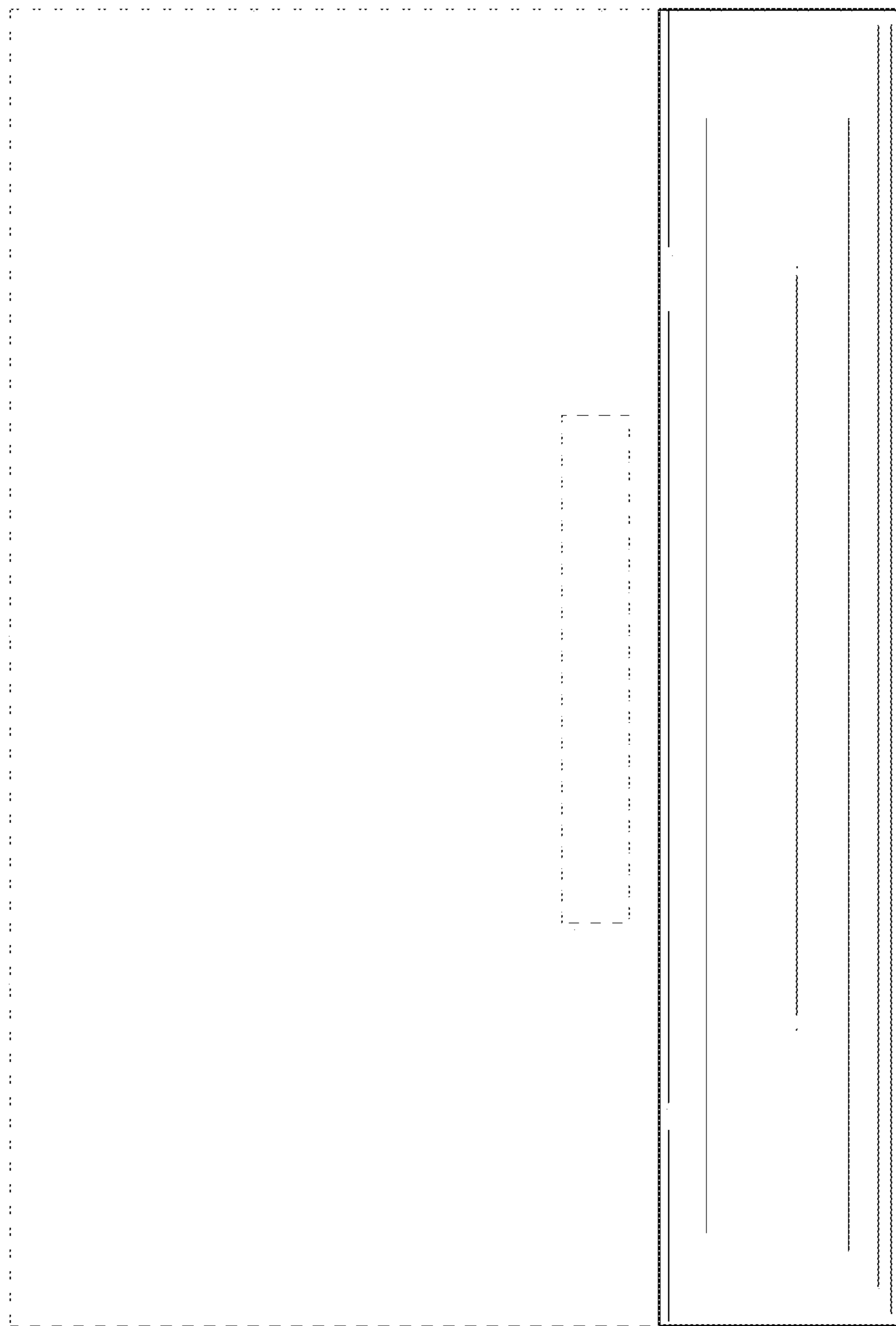


FIG. 10

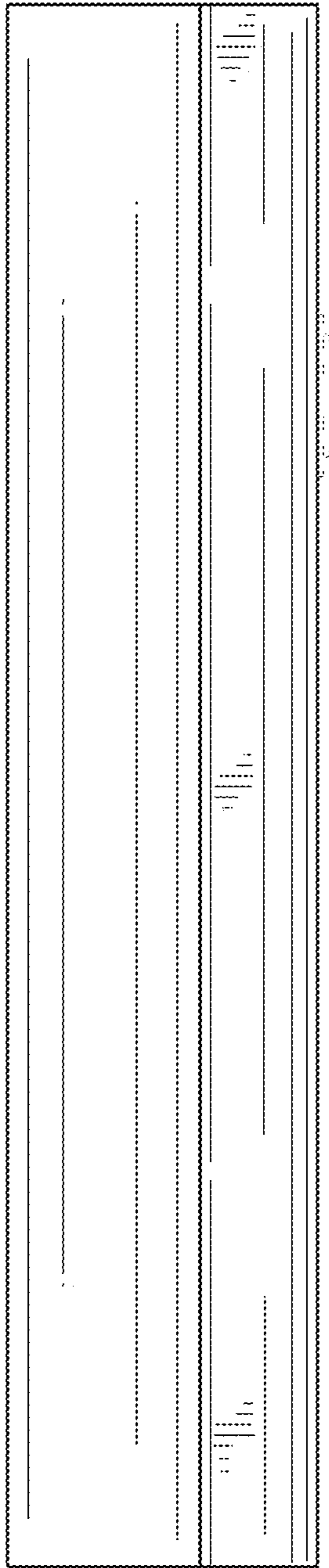


FIG. 11

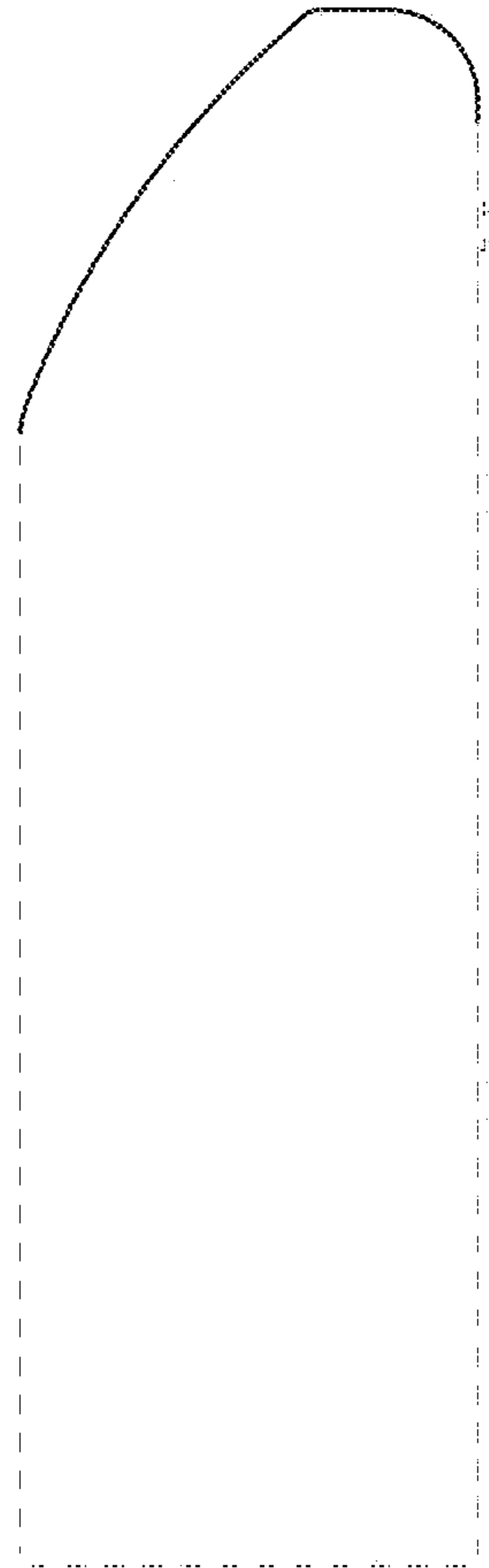


FIG. 12

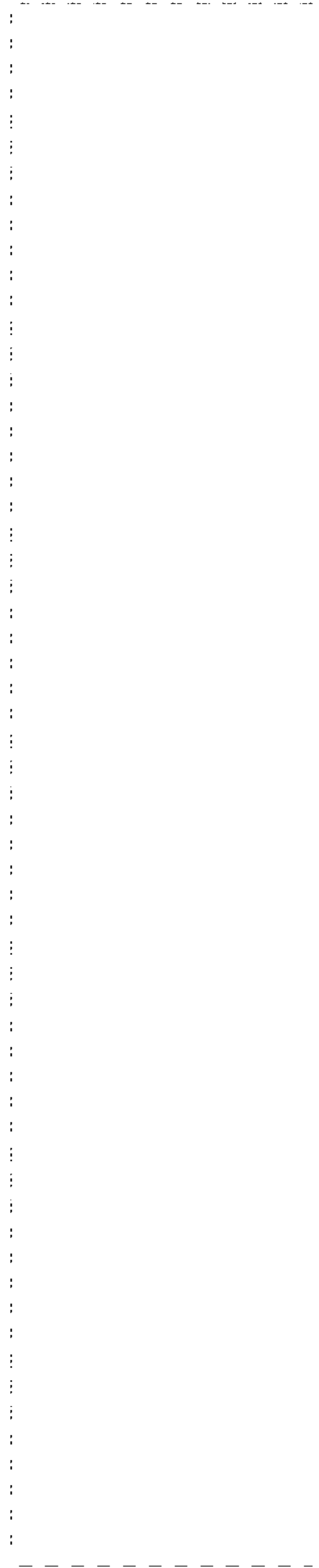


FIG. 13

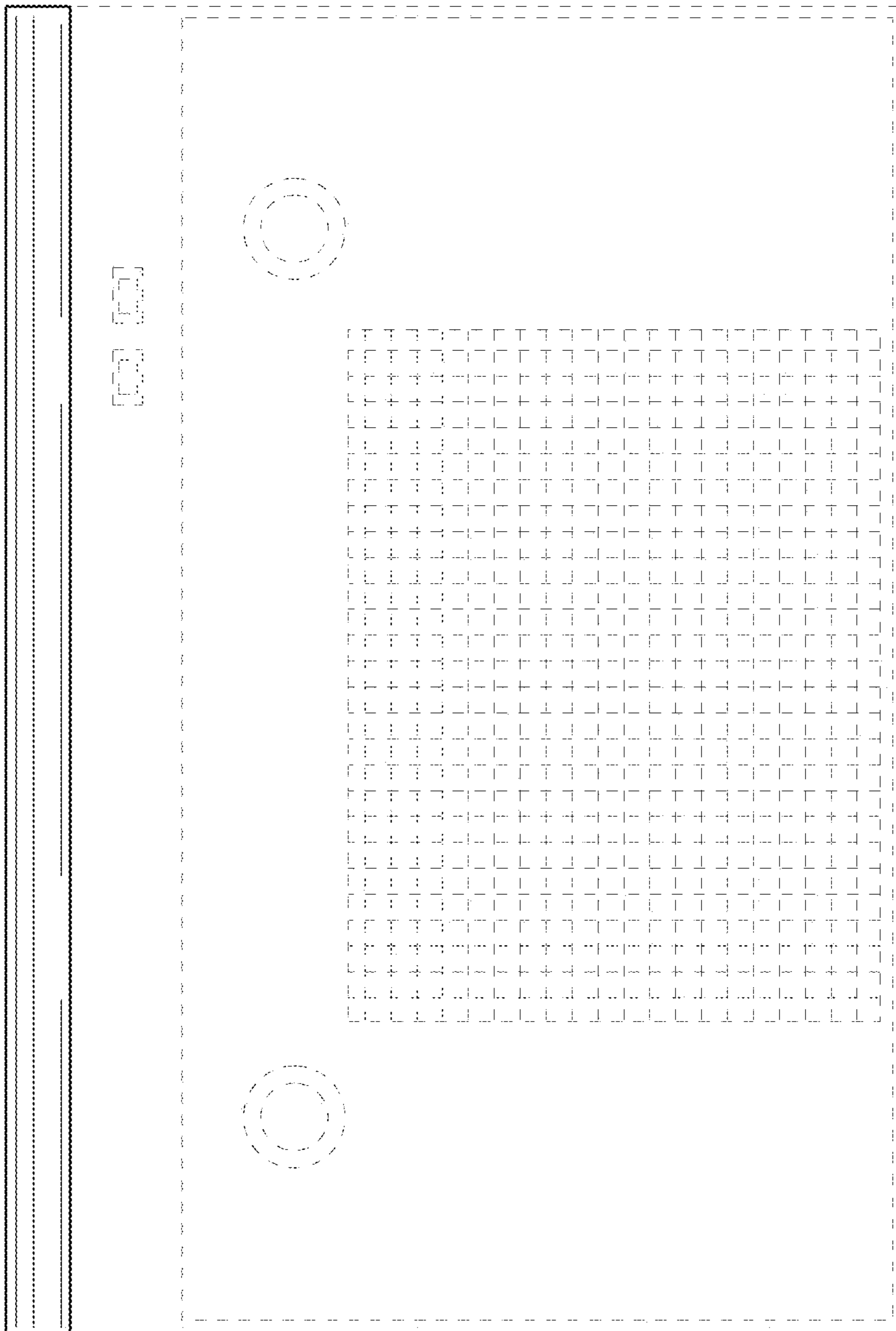


FIG. 14